






Assembly Manual for POPPY

Congratulations on your new Petit Puk bed! Get ready to transform your kid's sleeping space into a fortress of imagination, a castle of coziness, and a launchpad for their sweetest dreams! When you follow this step-by-step assembly, you'll breeze through the process.

Quick Checklist:

-  Is everything complete?
-  All pieces in good shape?
-  Do no start adding glue before you made sure all pieces are there and in perfect shape
-  Note! Applying glue to the bed base is **not** mandatory, as it could hinder the disassembly process later on. Let's keep things flexible for future adventures!
-  Ready to take a photo of your great work once completed and share with us?

Ticked all the boxes? Put on your superhero cape, and let's dive into the wonderful world of bed building.

Big wave,
Team Petit Puk

Questions? Reach out via customercare@petitpuk.com

Compliments? Tag us on instagram @petitpuk

PLEASE READ BEFORE ASSEMBLY:

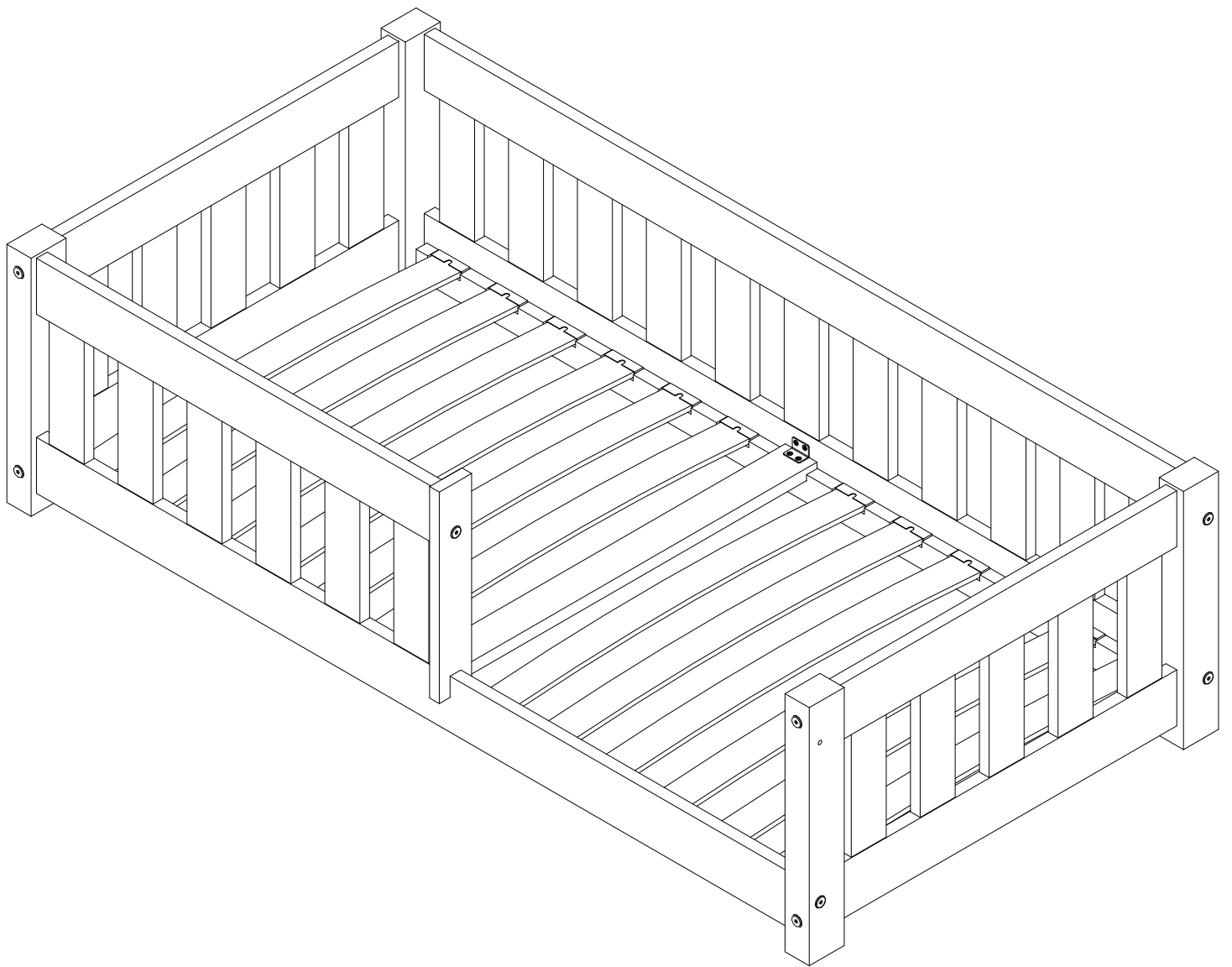
- 1) Make sure there is free space for installation.
- 2) Before fully unpacking, please measure the elements whether they match the order.
- 3) After unpacking the elements from the cartons please check the completeness of the whole set with the assembly instruction. - If you check and find that something is missing
- let us know, we will check the packaging and when it is necessary we will send the missing parts.
- 4) Think about whether you will need help with the assembly, if you find it necessary, find a assistant. (We recommend two people to assemble the bunk beds).
- 5) We recommend installing wooden pins on a hard flat surface
(you can use the cardboard from the packaging).
- 6) When using a hammer to hammer in the woodpins, remember not to use too much force, and the element should be placed on a flat hard surface.

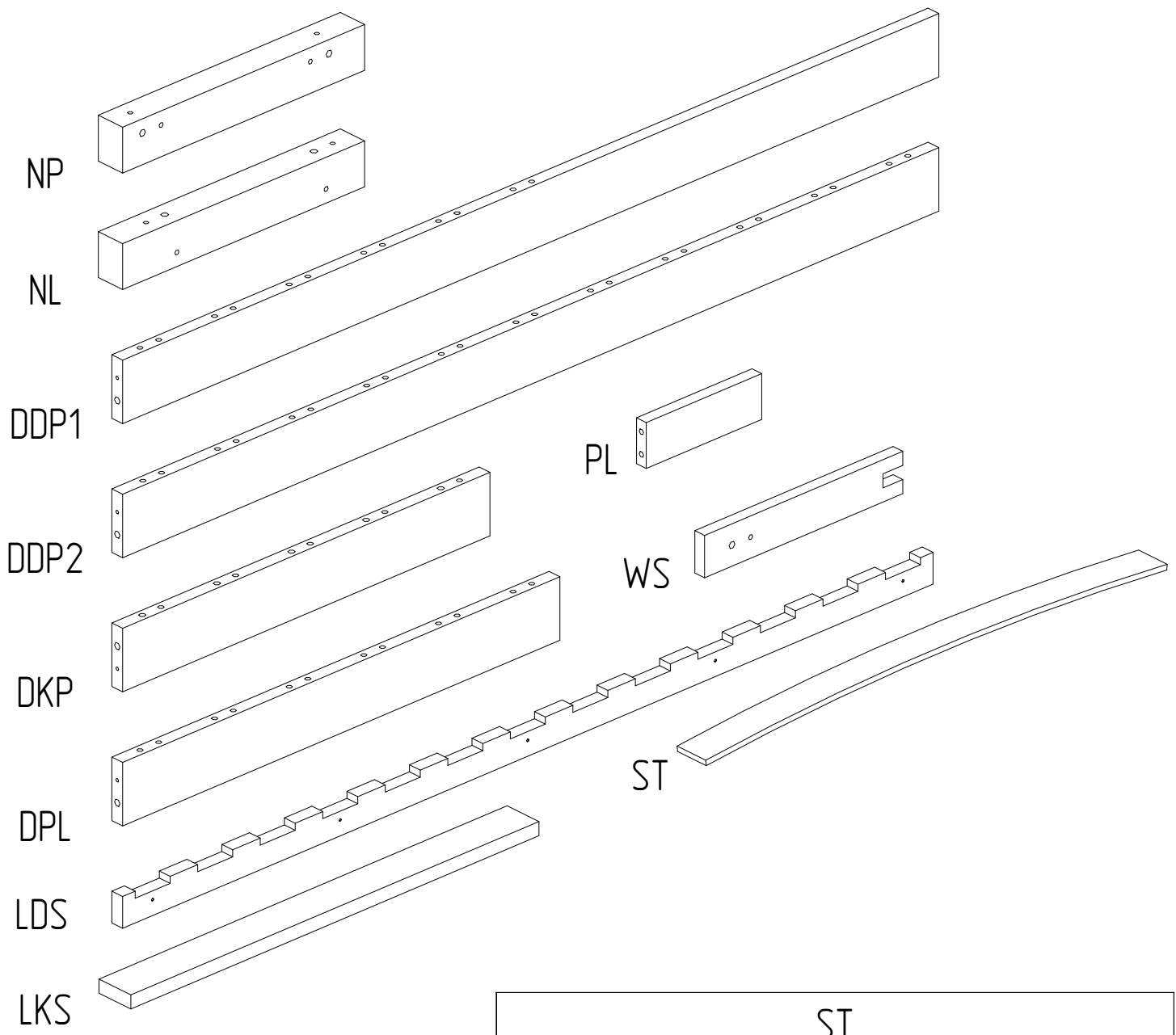
REMEMBER!

NEVER HAMMER THE WOODPINS TO THE PARTS IN THE AIR

Table of contents

-Poppy	p.4 -19
-Poppy / over 100cm wide	p.20 -28
-Drawer	p.29 -33





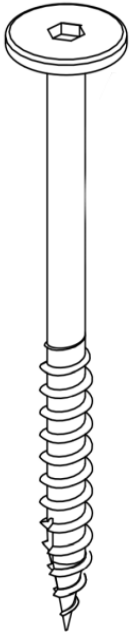
ST	
LENGTH [cm]	QUANTITY
140	12
160	14
180	14
190	16
200	16

PART	NP	NL	DDP1	DDP2	DKP	DPL	LDS	LKS	WS
QUANTITY	2	2	1	2	4	1	2	1	1

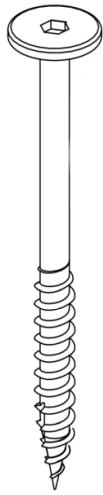
PL QUANTITY

LENGTH [cm]	WIDTH [cm]							
	70	80	90	100	120	135	140	160
140	27	27	29	-	-	-	-	-
160	28	28	30	-	-	-	-	-
180	-	31	33	35	39	39	41	45
190	-	33	35	37	41	41	43	47
200	-	33	35	37	41	41	43	47

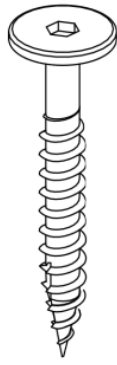
S110



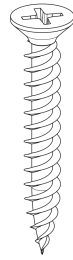
S80



S50



W30



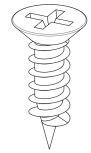
K10



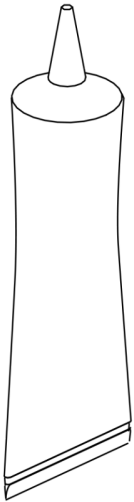
K8



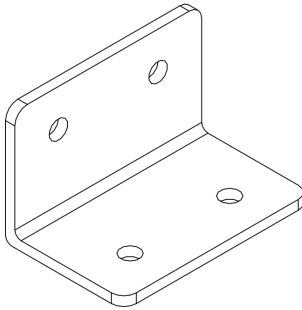
W16



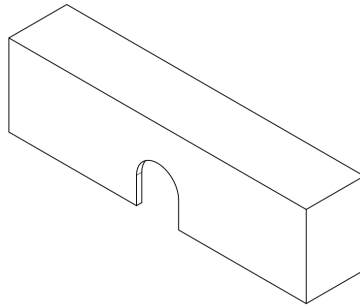
G



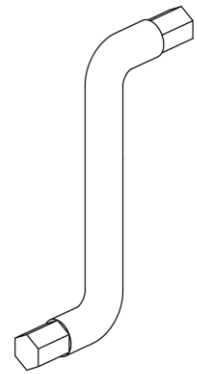
KT



P



IMBUS



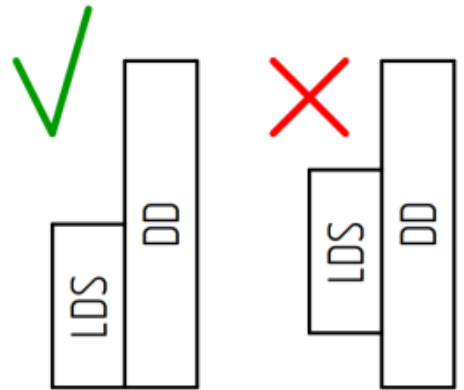
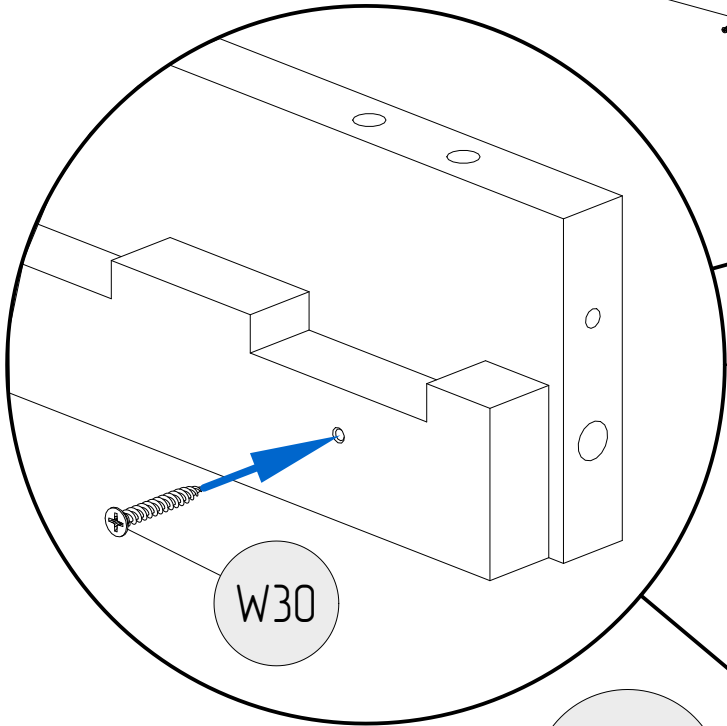
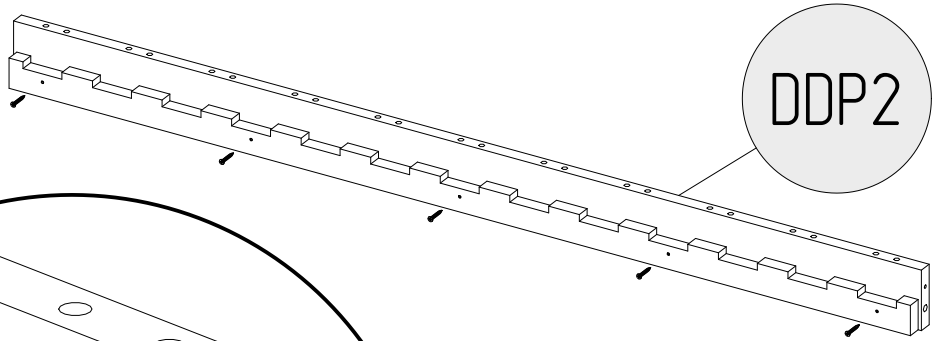
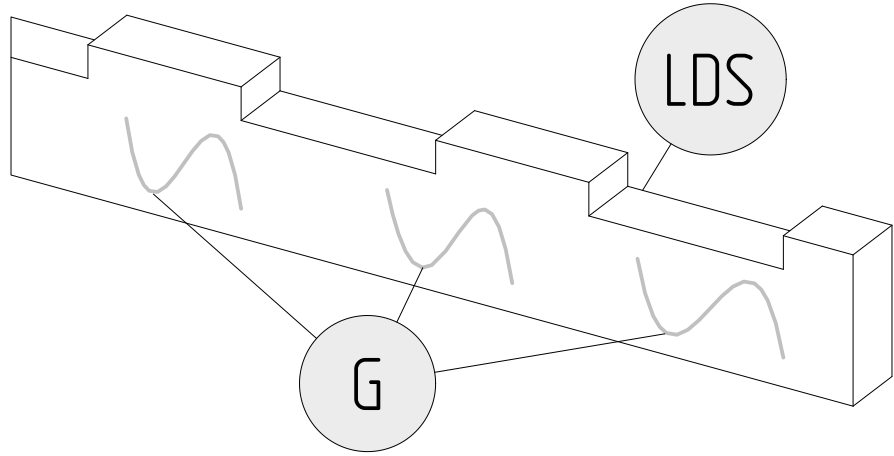
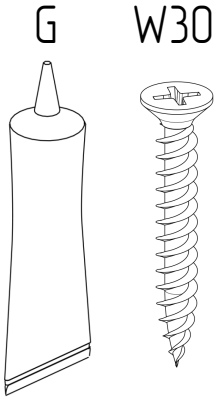
P	
LENGTH [cm]	QUANTITY
140	24
160	28
180	28
190	32
200	32

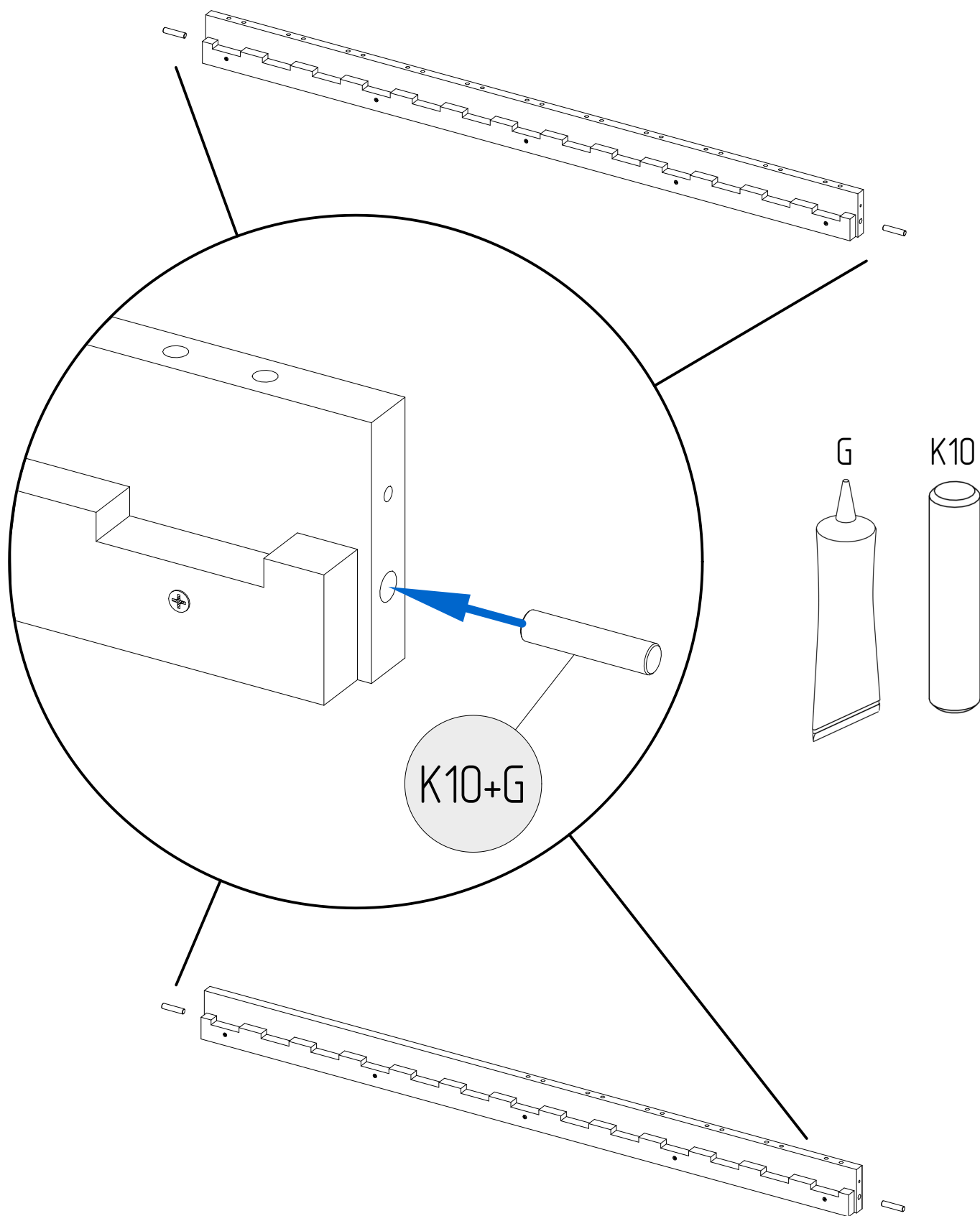
'PART	S110	S80	W30	K10	W16	S50	G	KT	IMBUS
QUANTITY	8	8	12	16	8	1	4	2	2

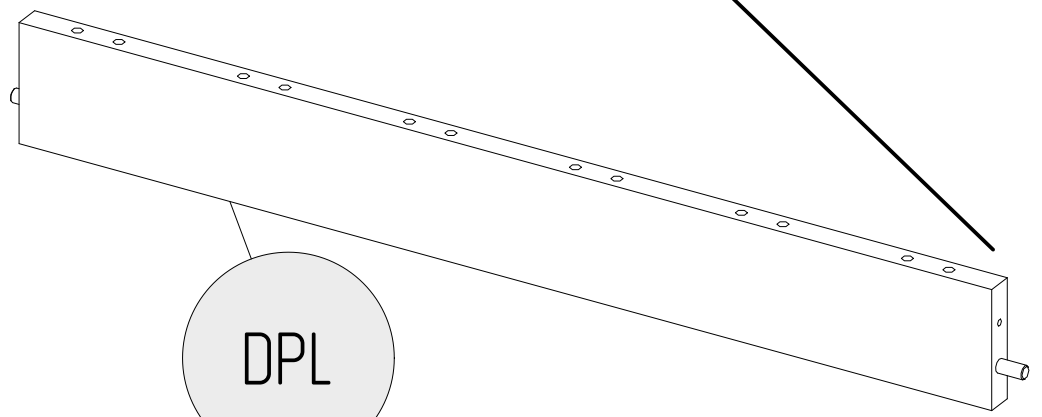
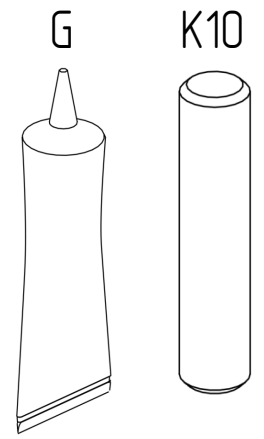
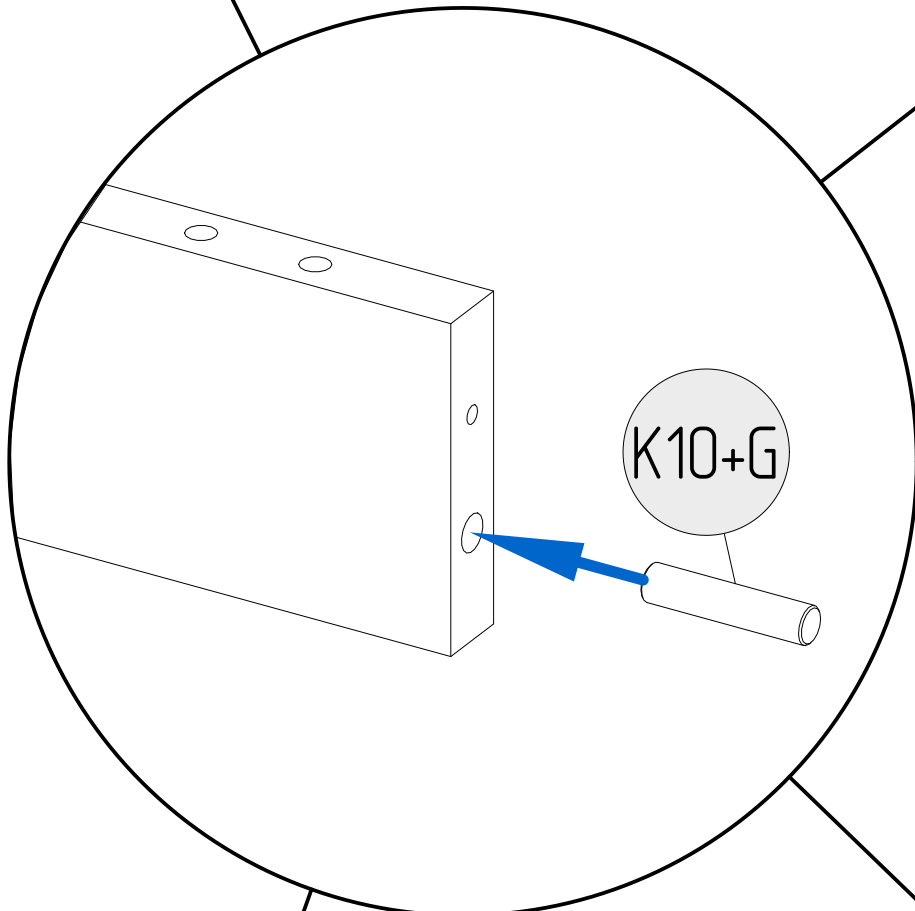
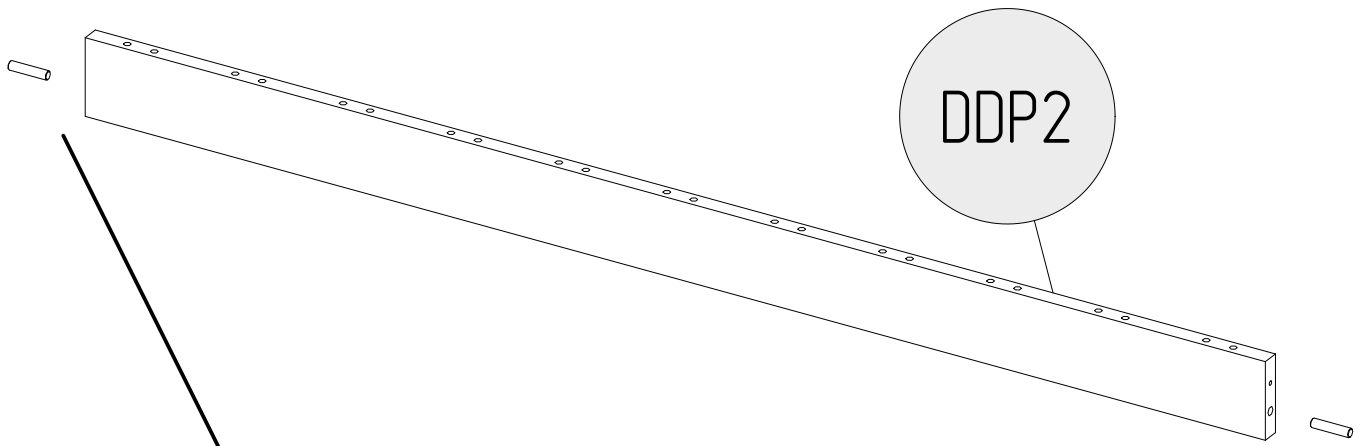
K8

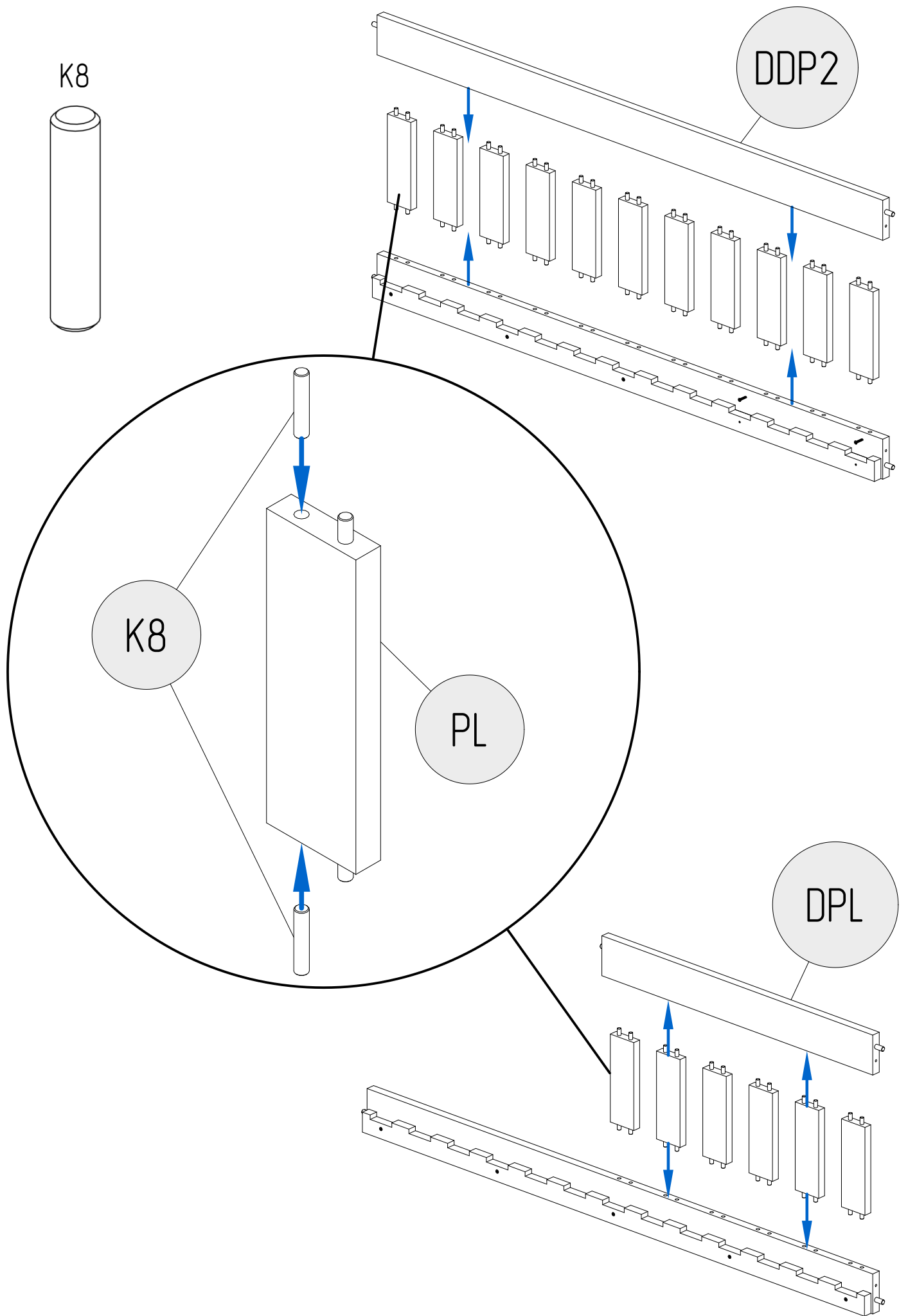
QUANTITY

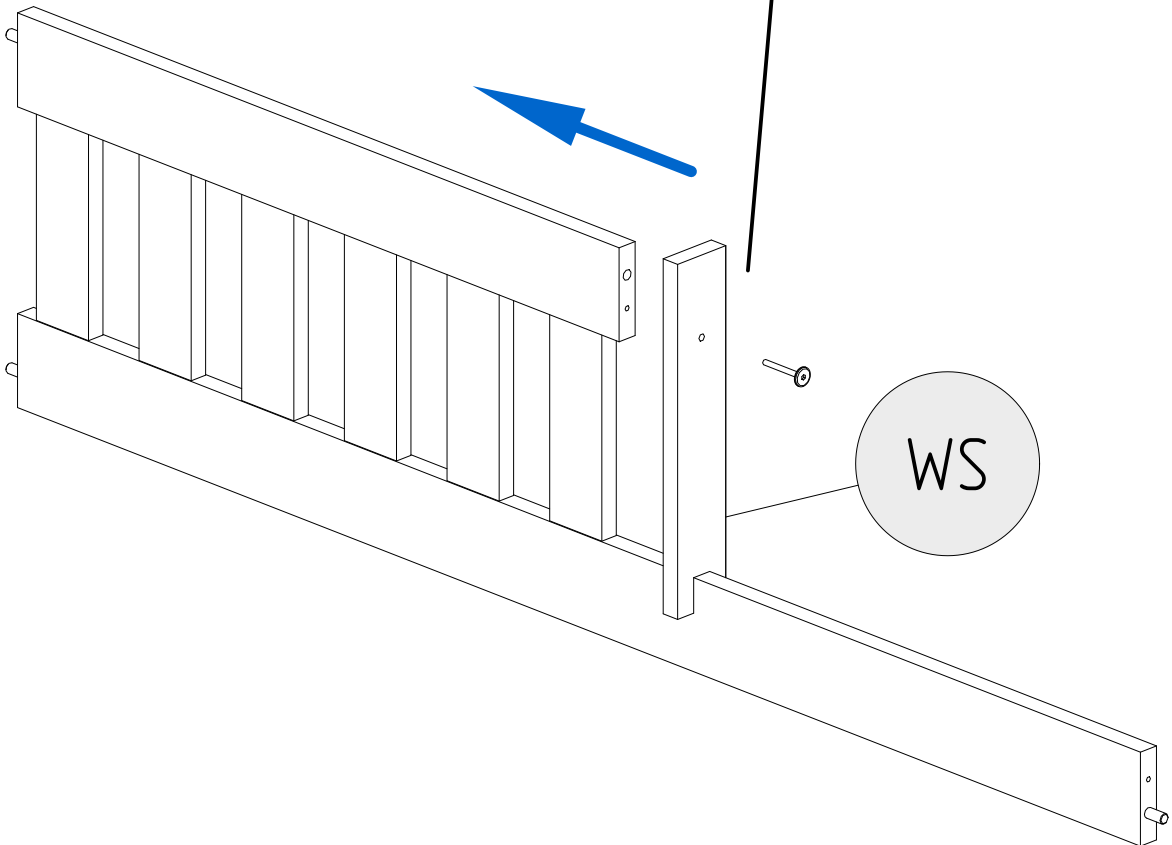
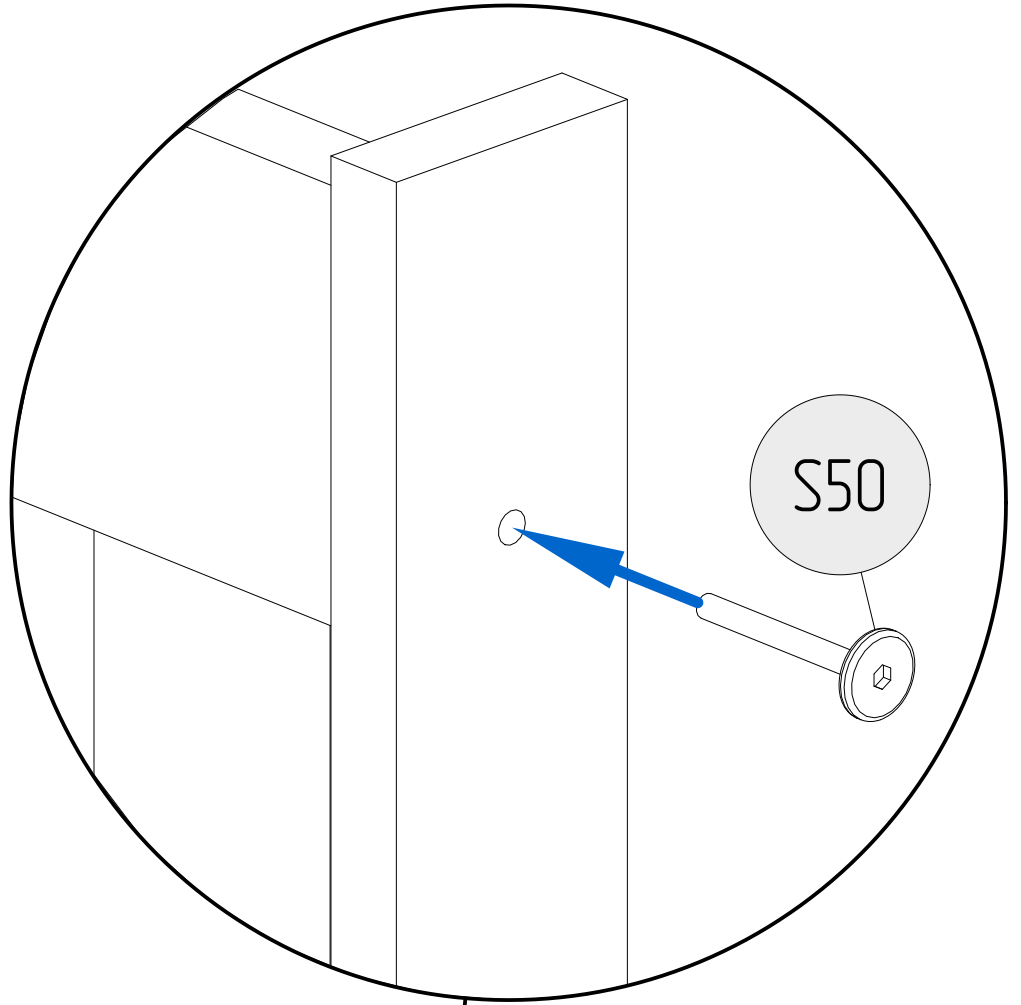
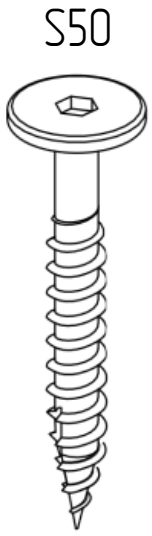
Length [cm]	Width [cm]							
	70	80	90	100	120	135	140	160
140	108	108	116	-	-	-	-	-
160	112	112	120	-	-	-	-	-
180	-	124	132	140	156	164	164	180
190	-	132	140	148	164	172	172	188
200	-	132	140	148	164	172	172	188



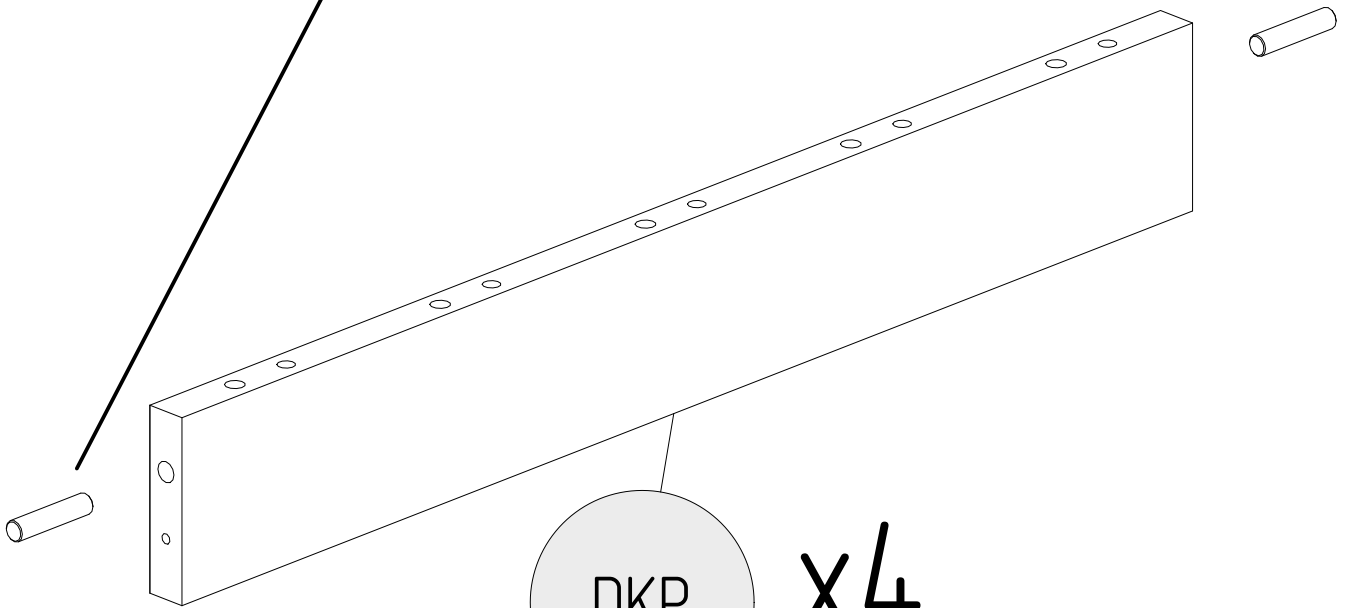
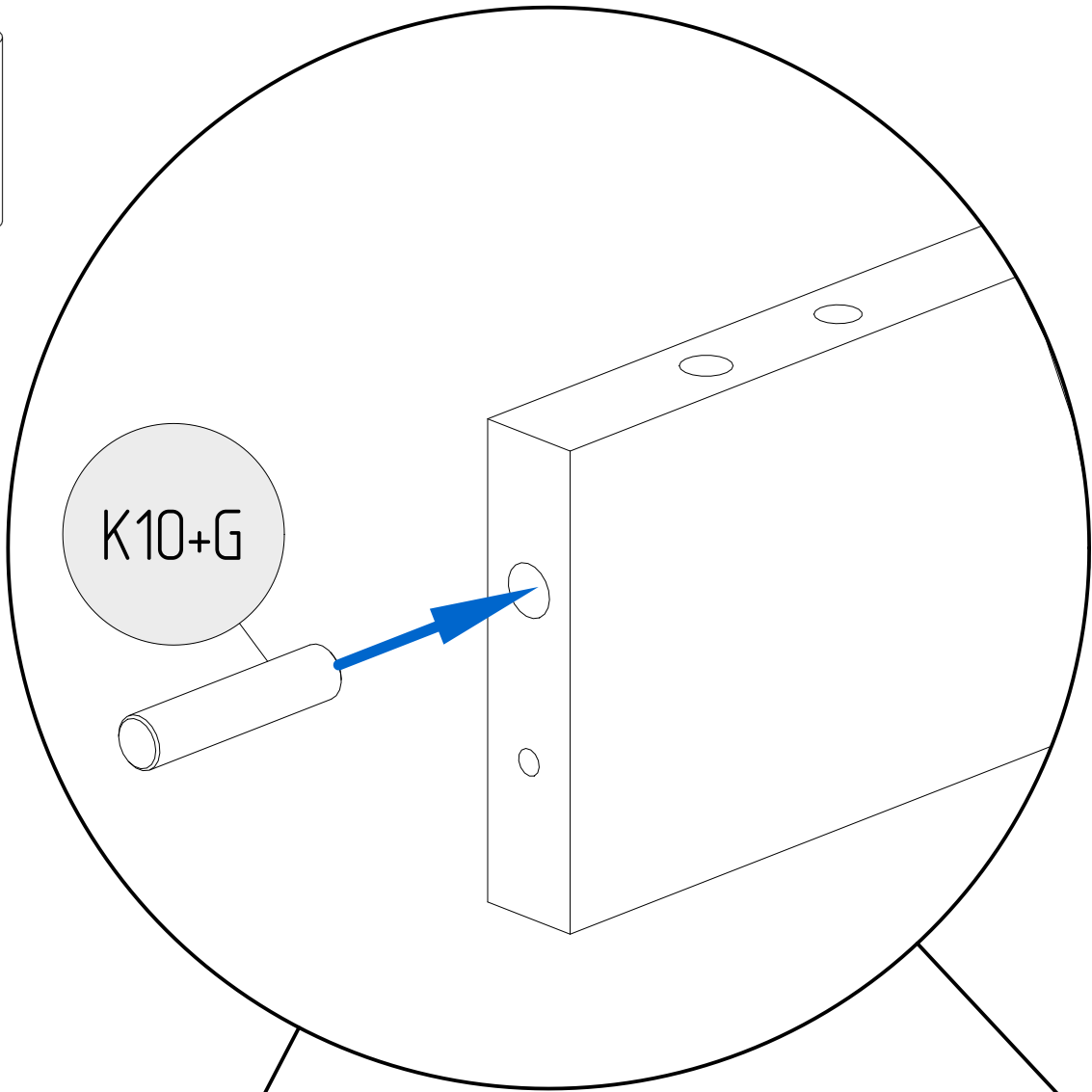
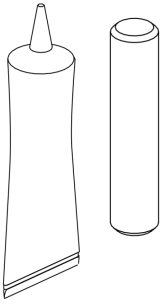






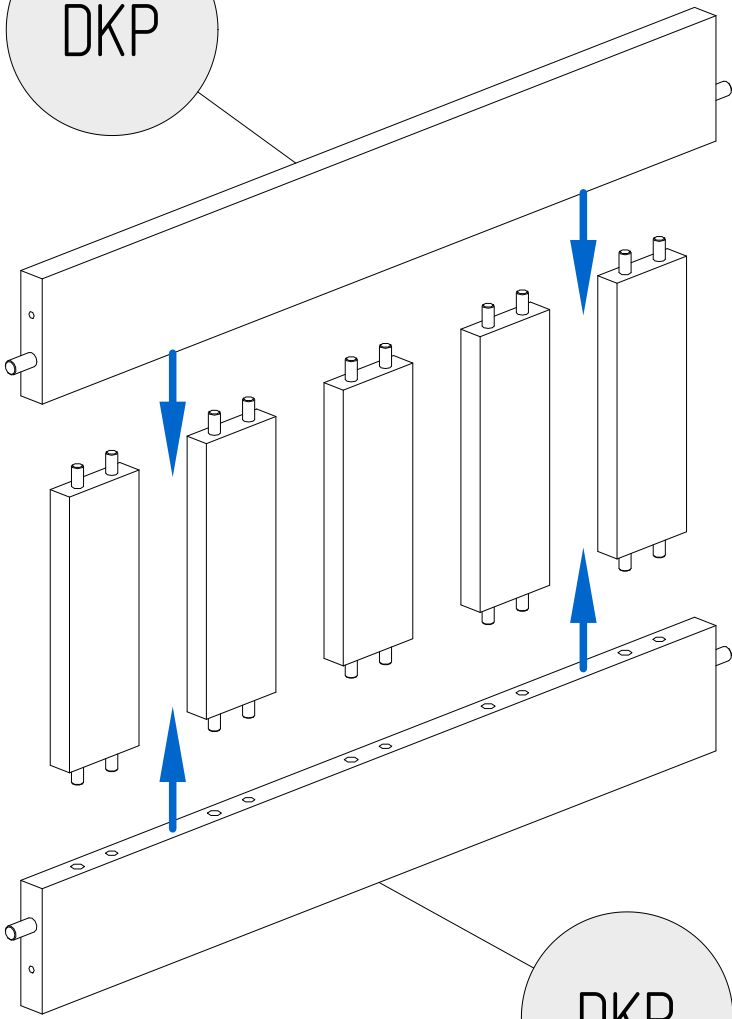
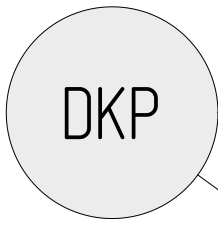
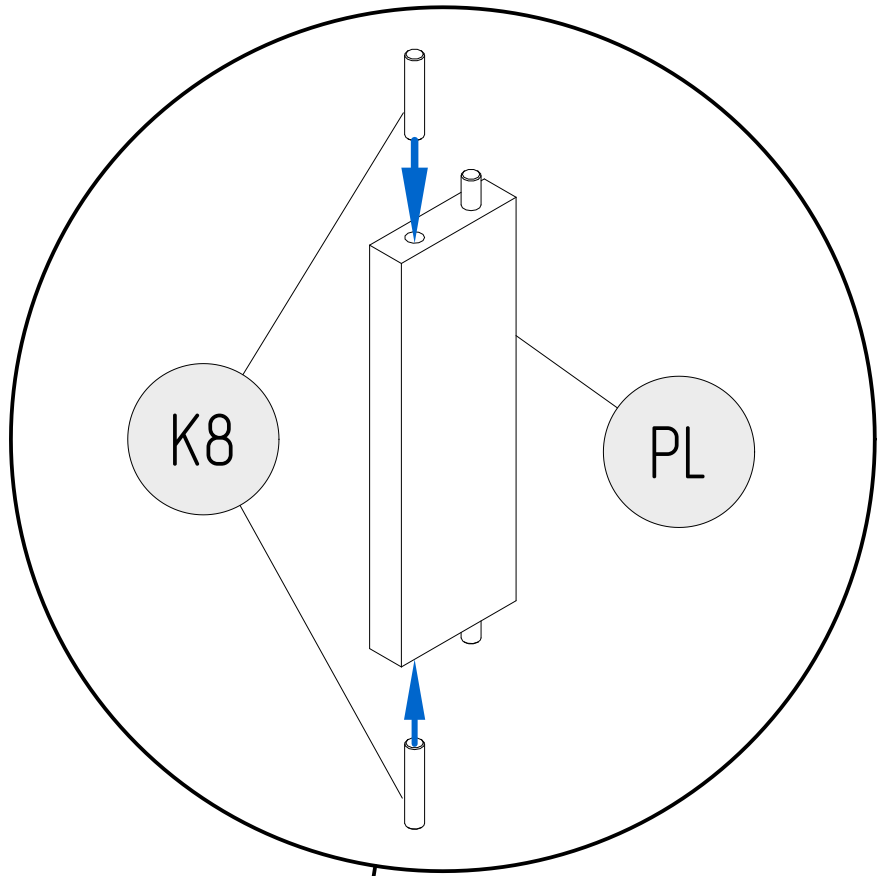
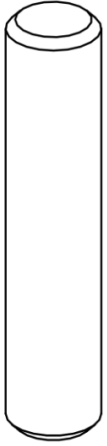


G K10

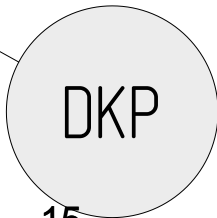


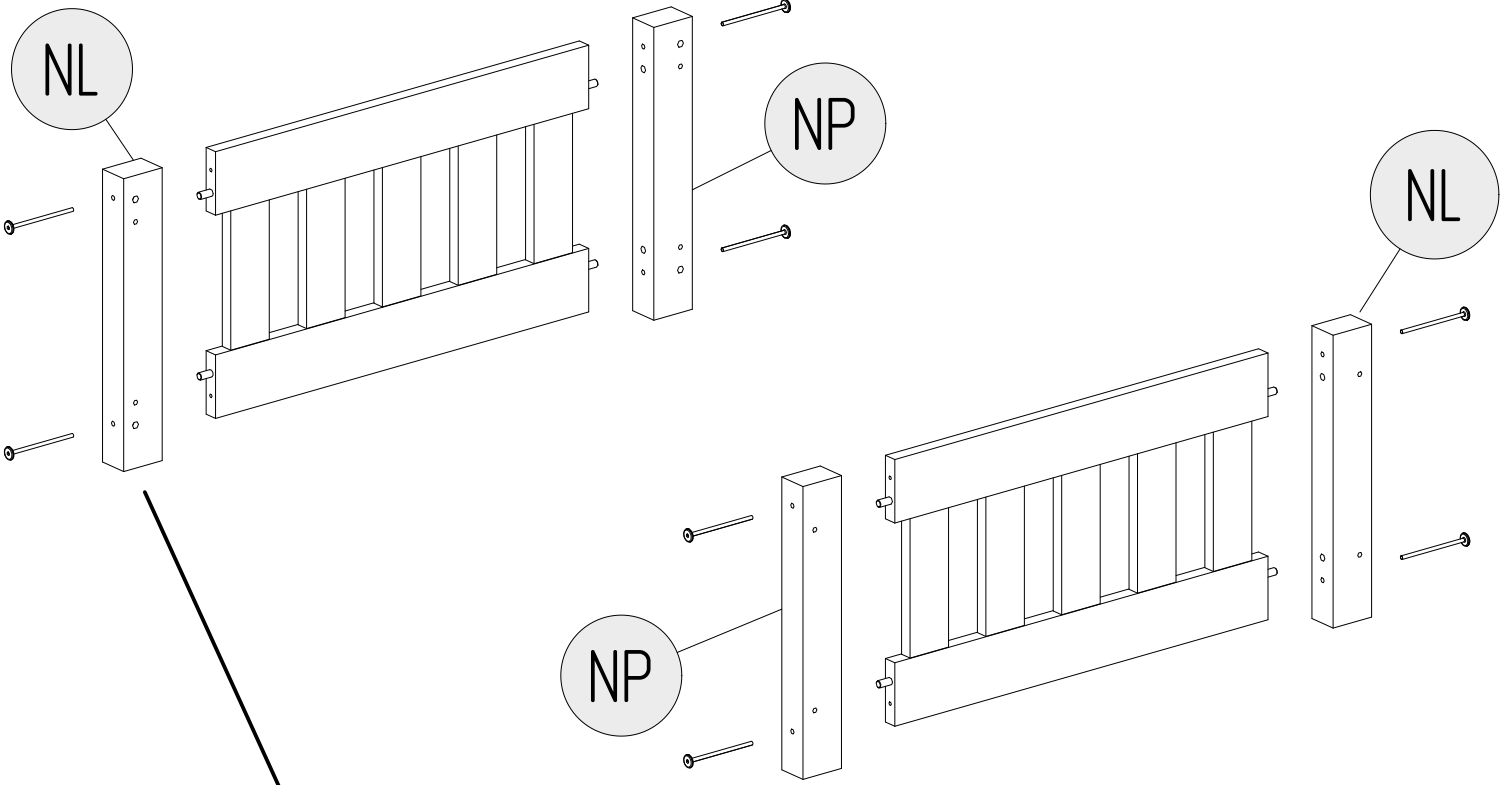
X4

K8

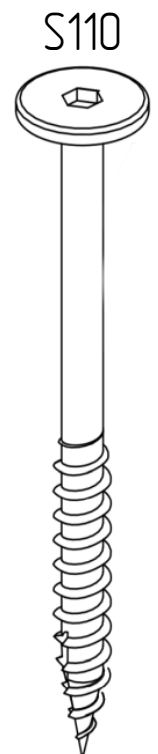
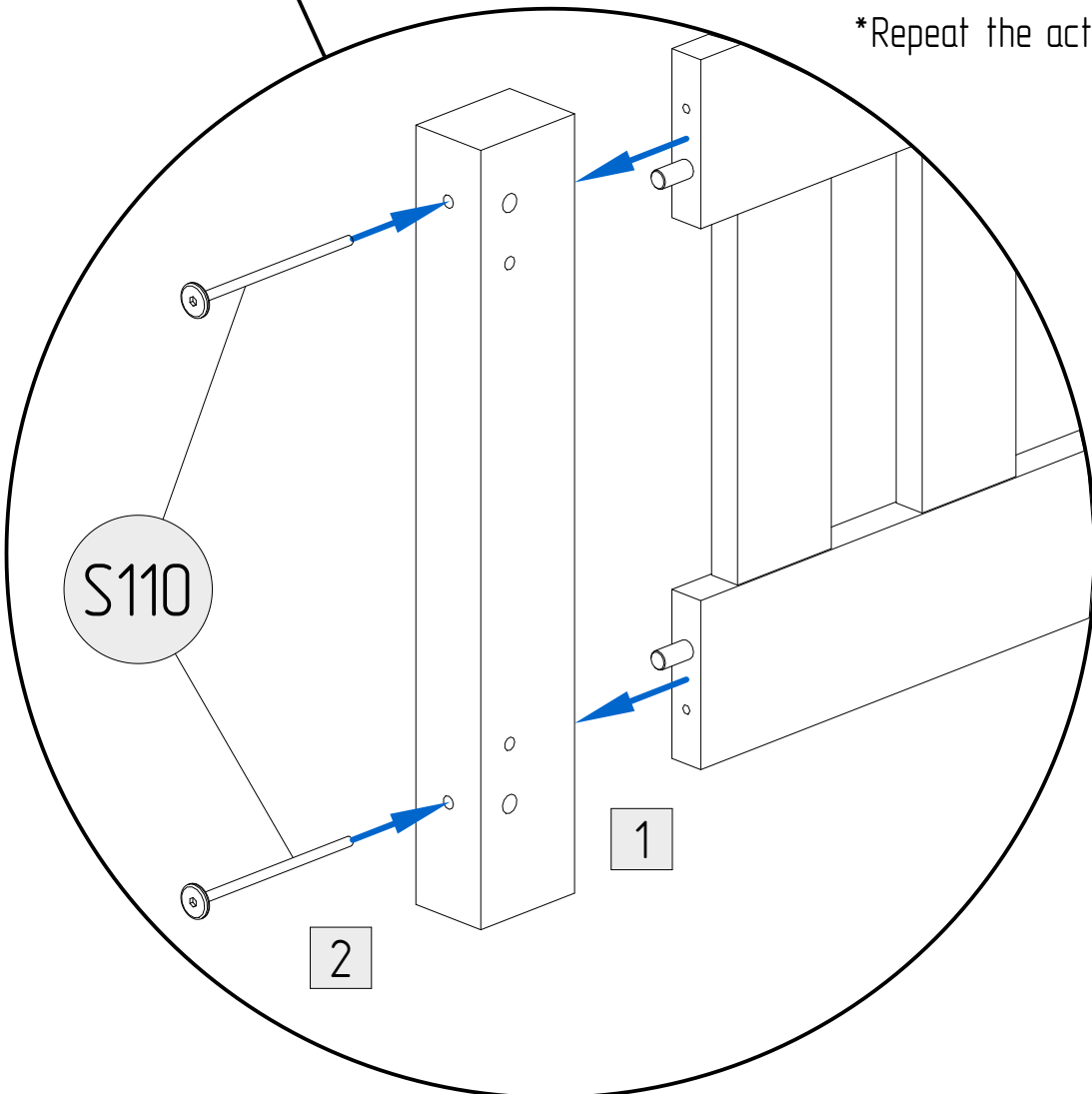


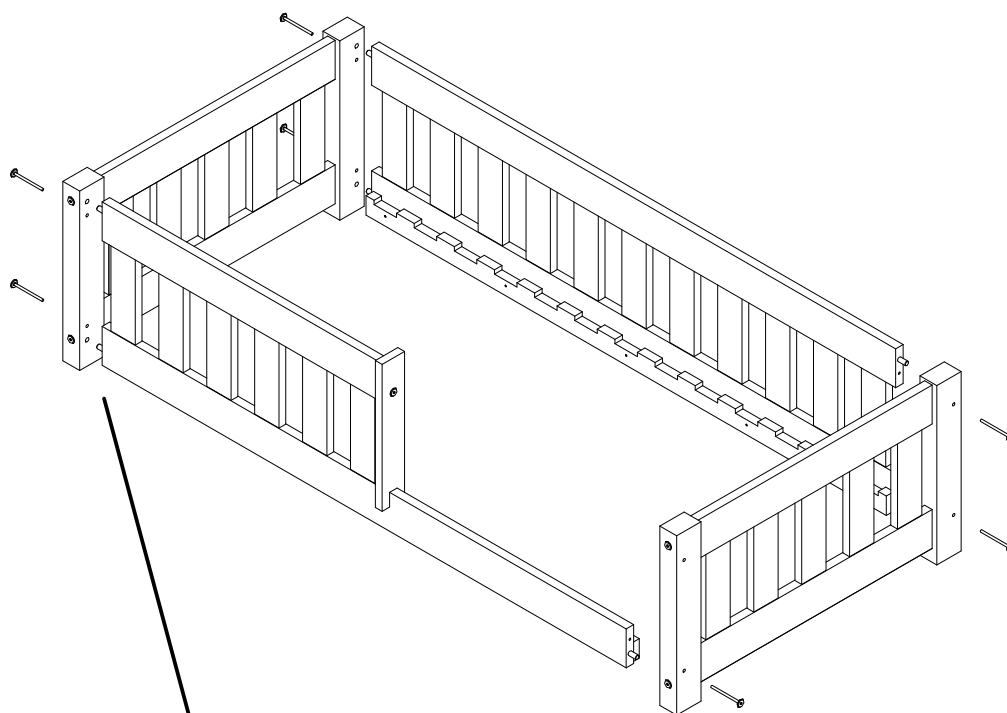
X4



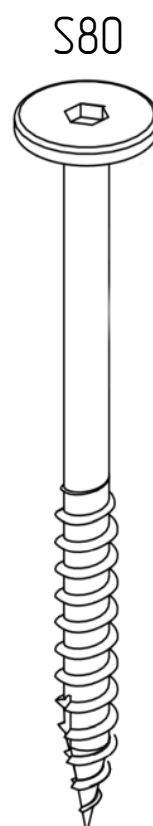
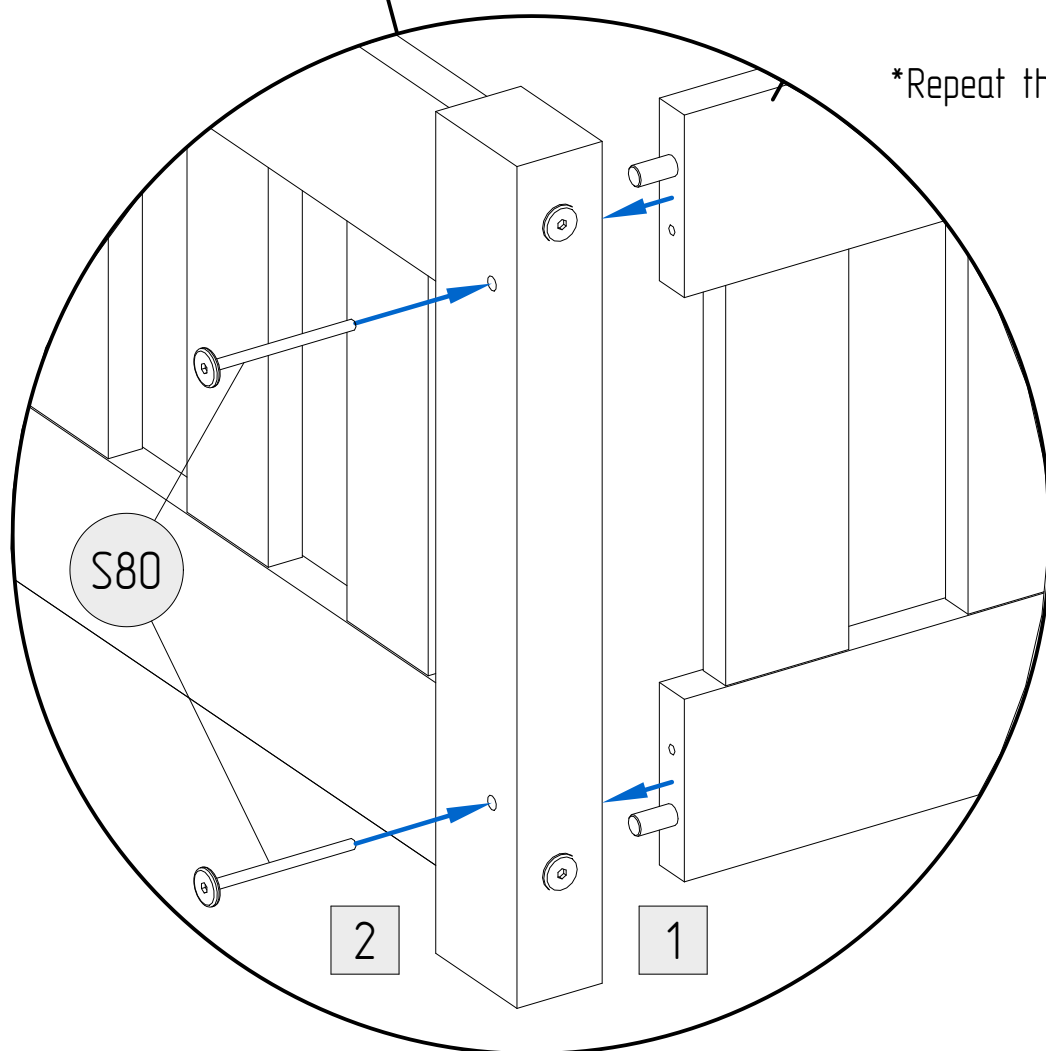


*Repeat the action to each bed leg

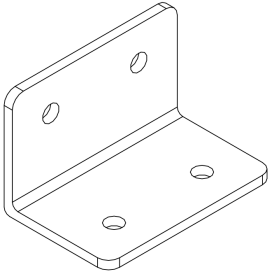




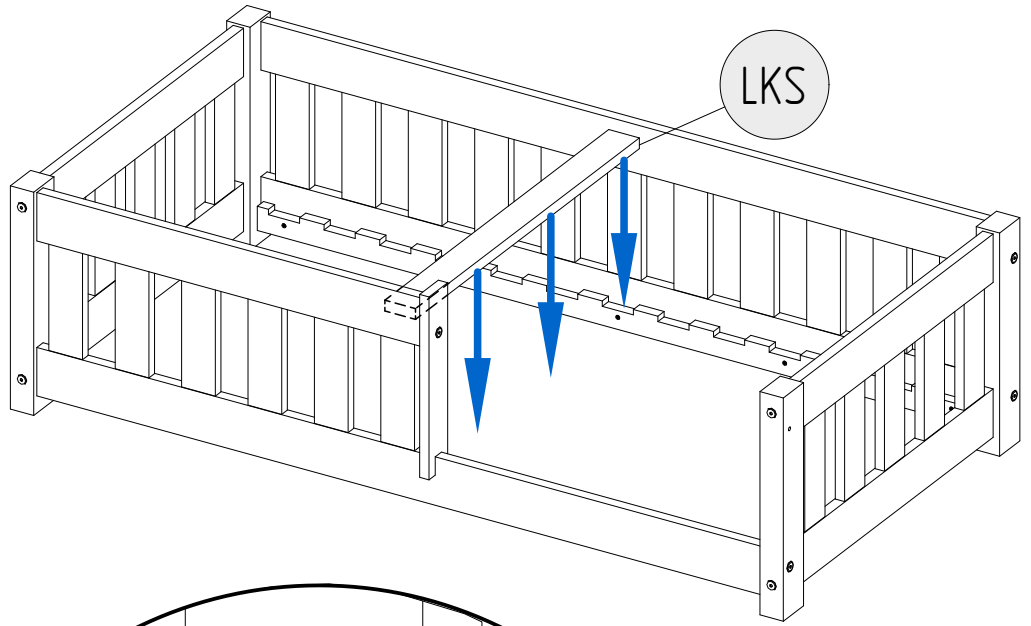
*Repeat the action to each bed leg



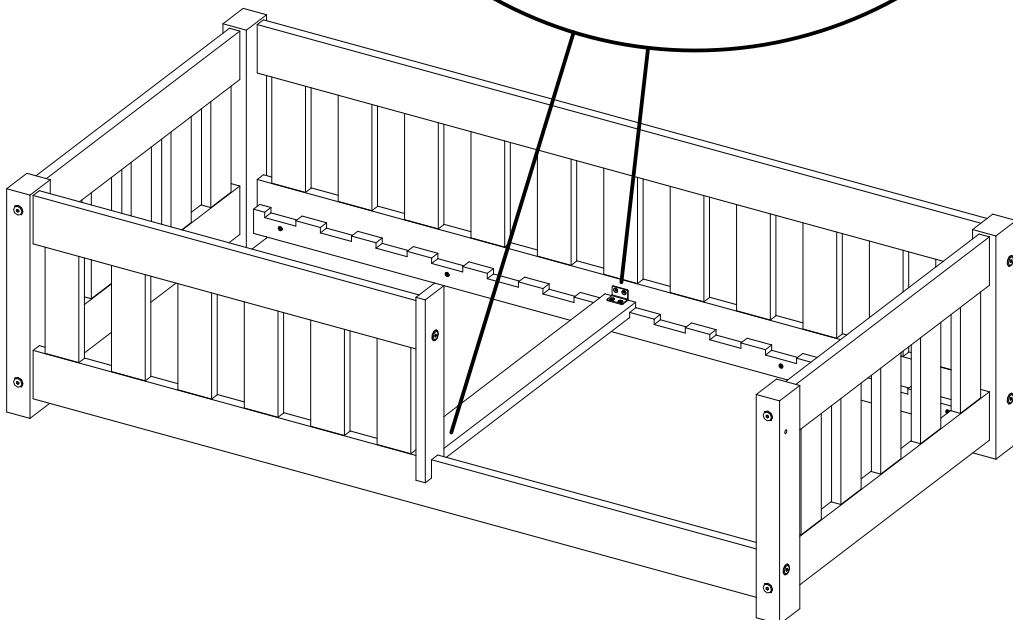
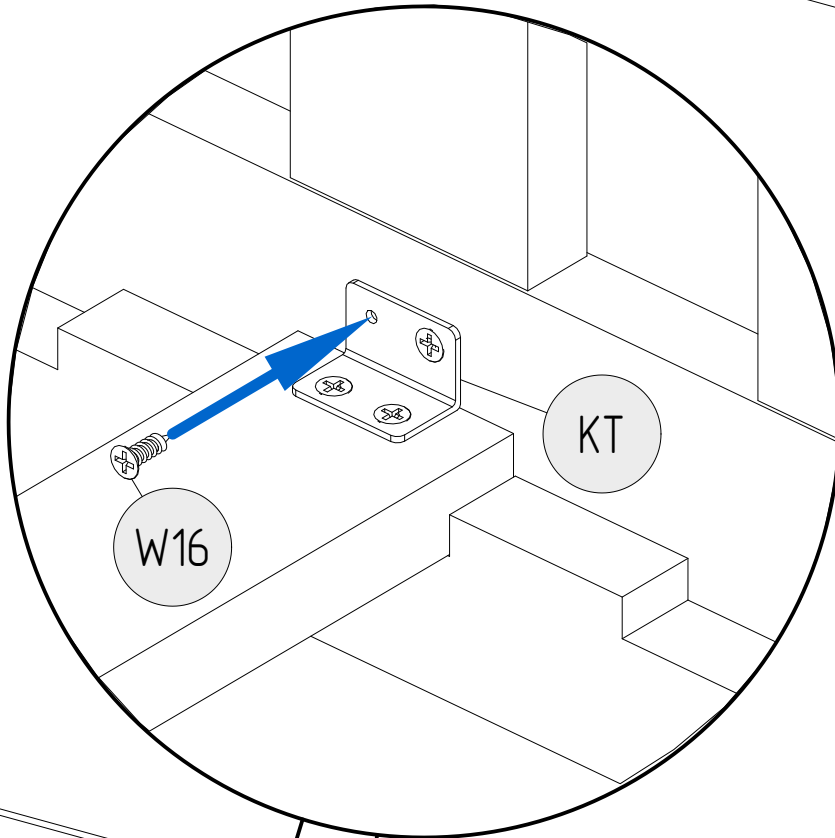
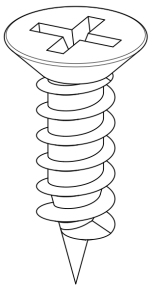
KT

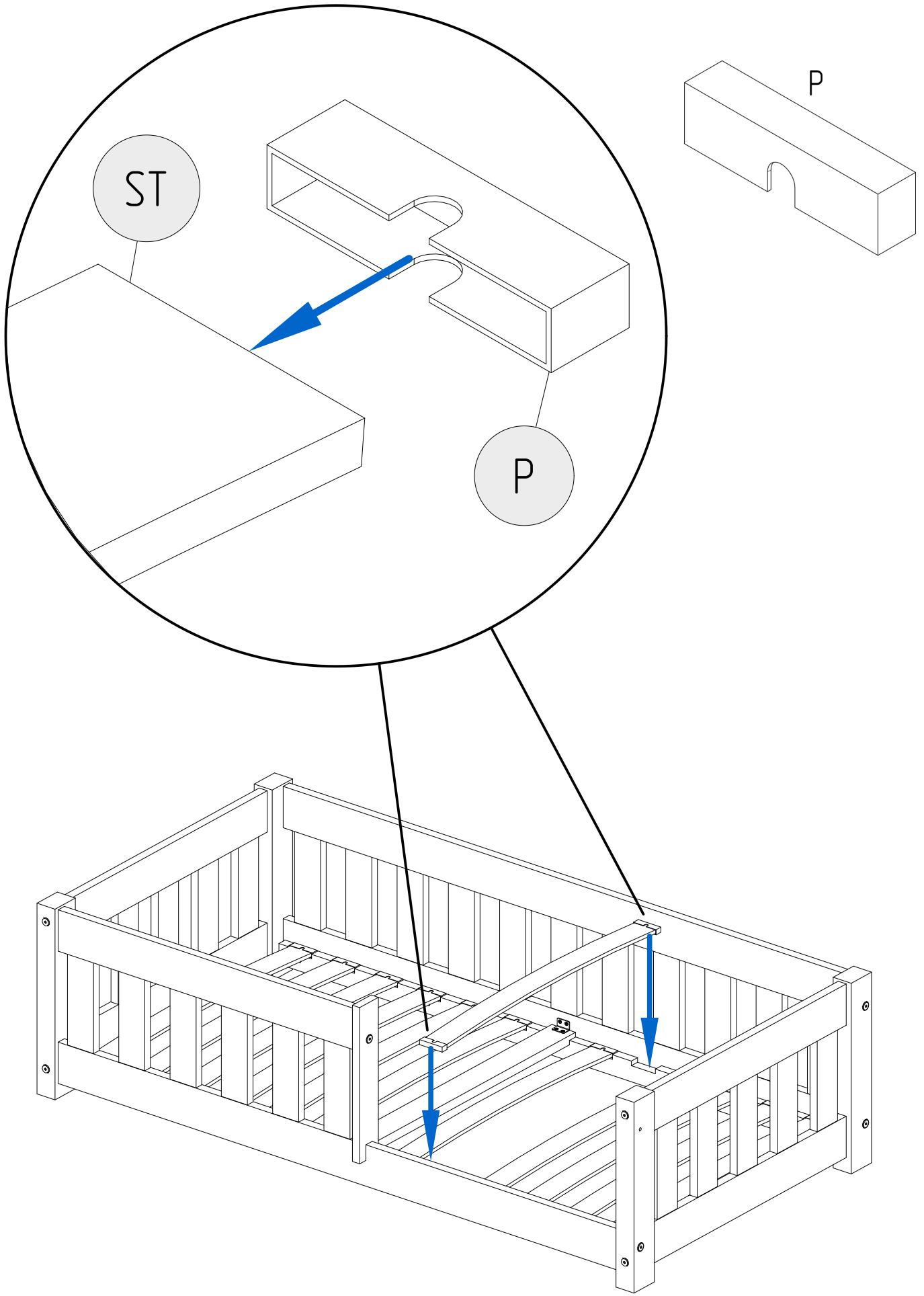


LKS

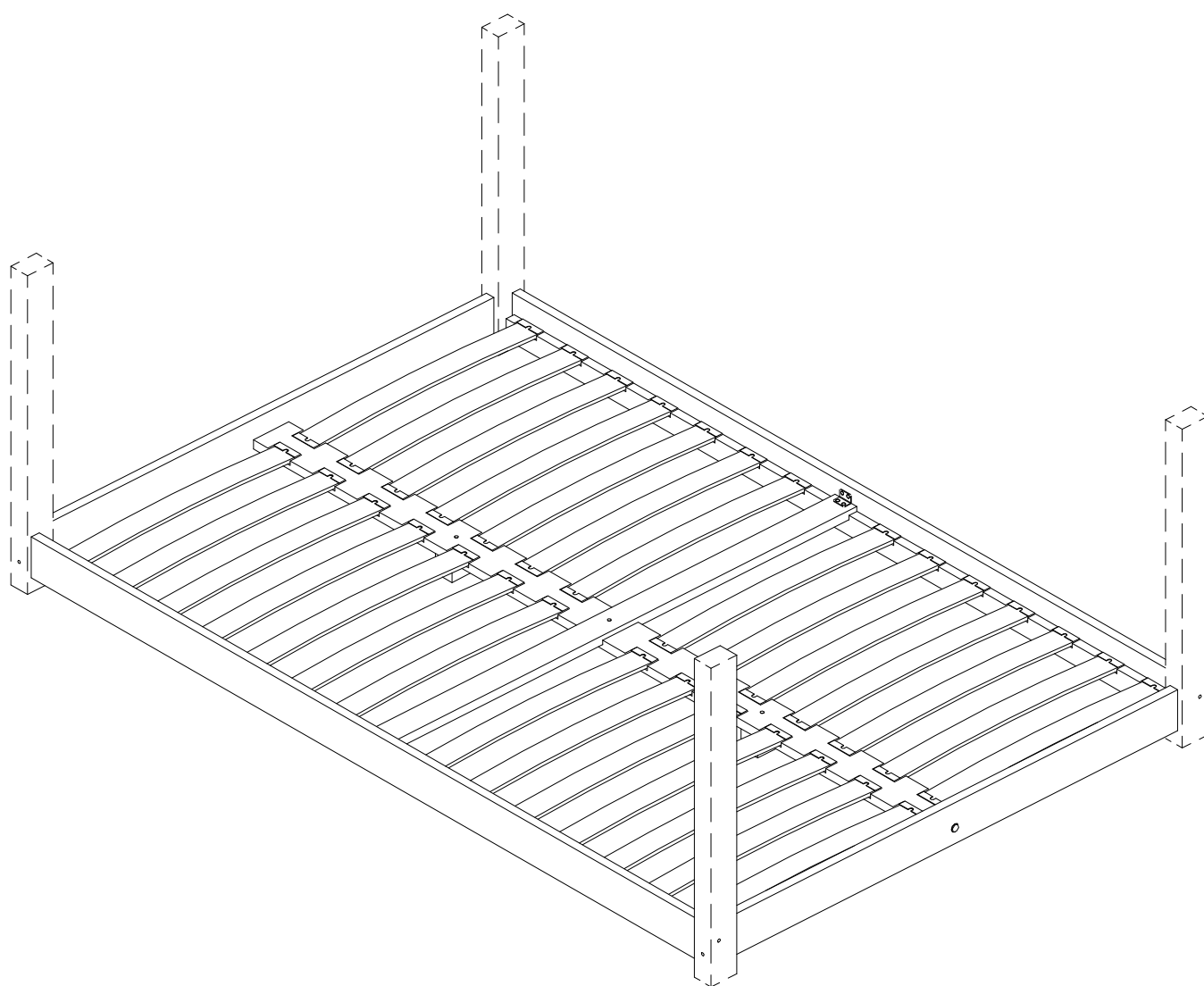


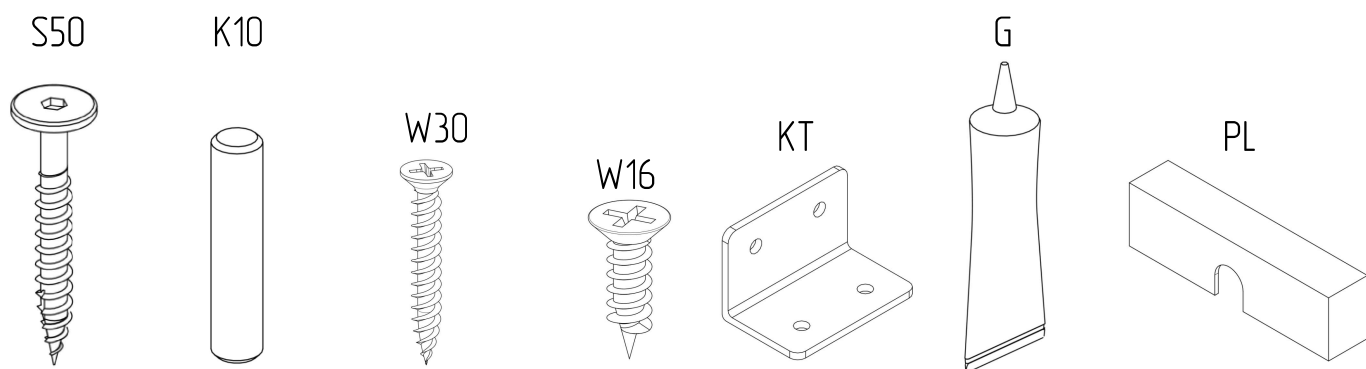
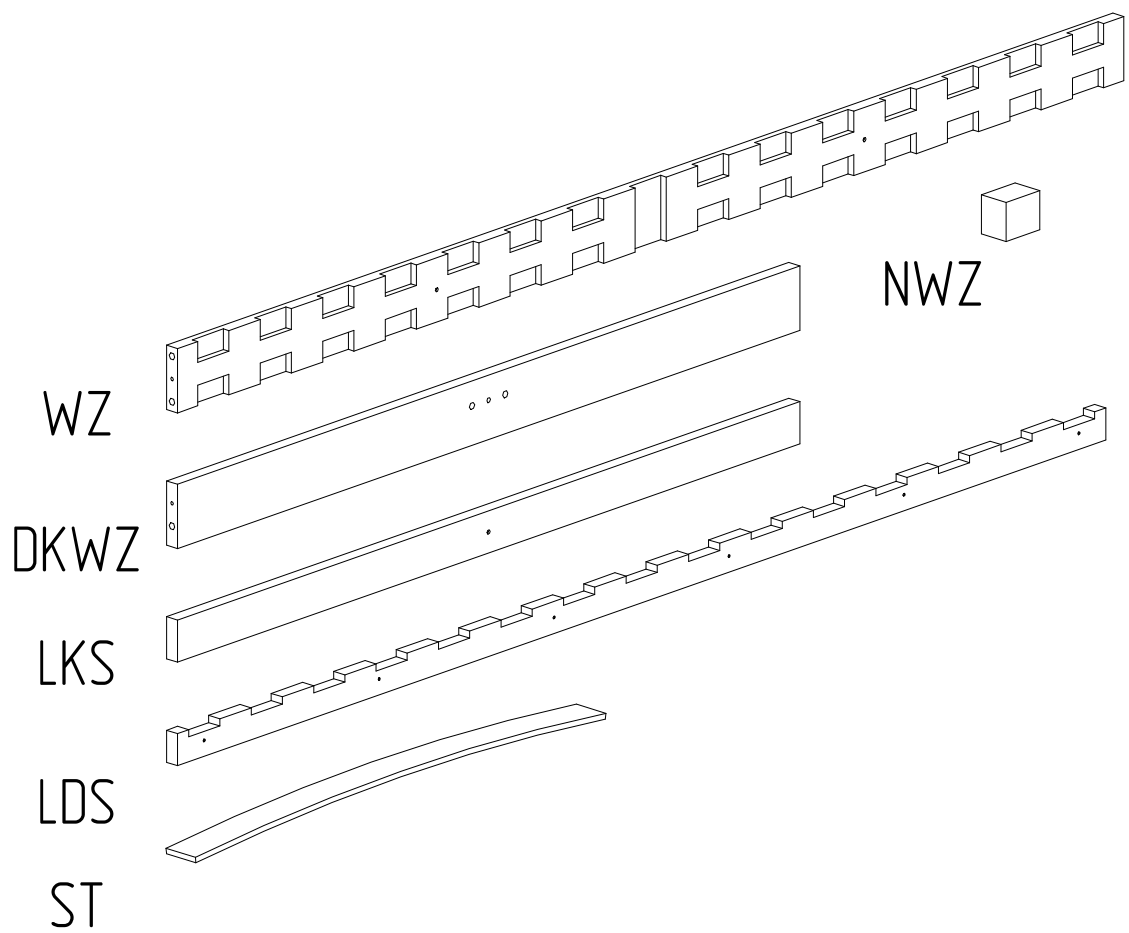
W16





INSTALATION OF BEDS OVER 100 cm WIDE,
WE COMPLEMENT THIS INSTRUCTION





ST	
LENGTH [cm]	QUANTITY
180	28
190	32
200	32

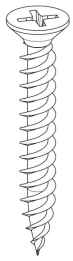
PL	
LENGTH [cm]	QUANTITY
180	56
190	64
200	64

'PART	WZ	DKWZ	NWZ	LKS	LDS	S50	K10	W30	W16	KT
QUANTITY	1	2	2	1	2	2	4	3	8	2

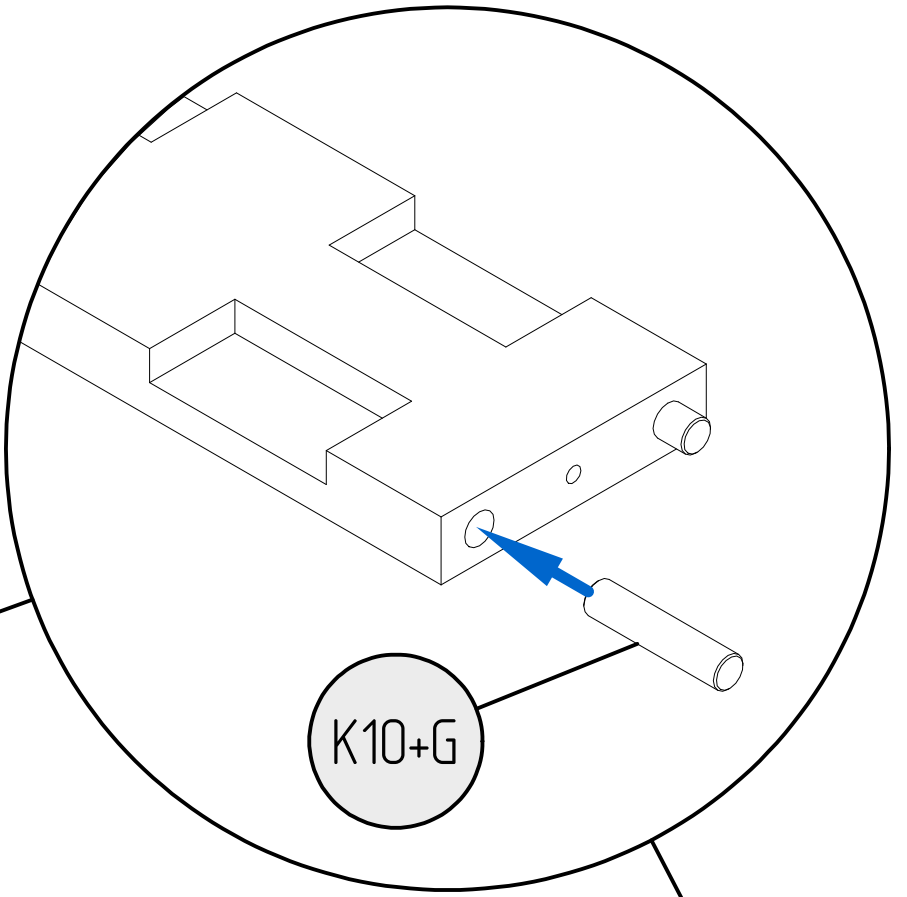
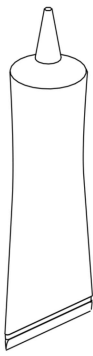
K10



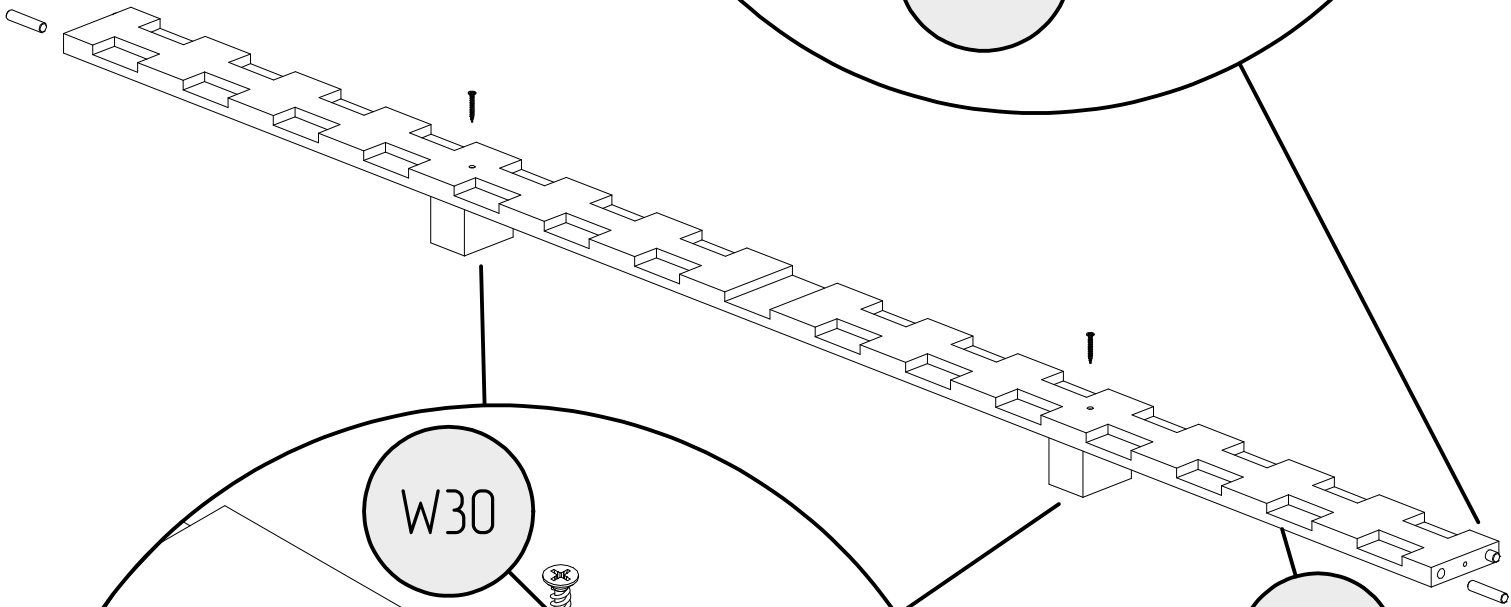
W30



G

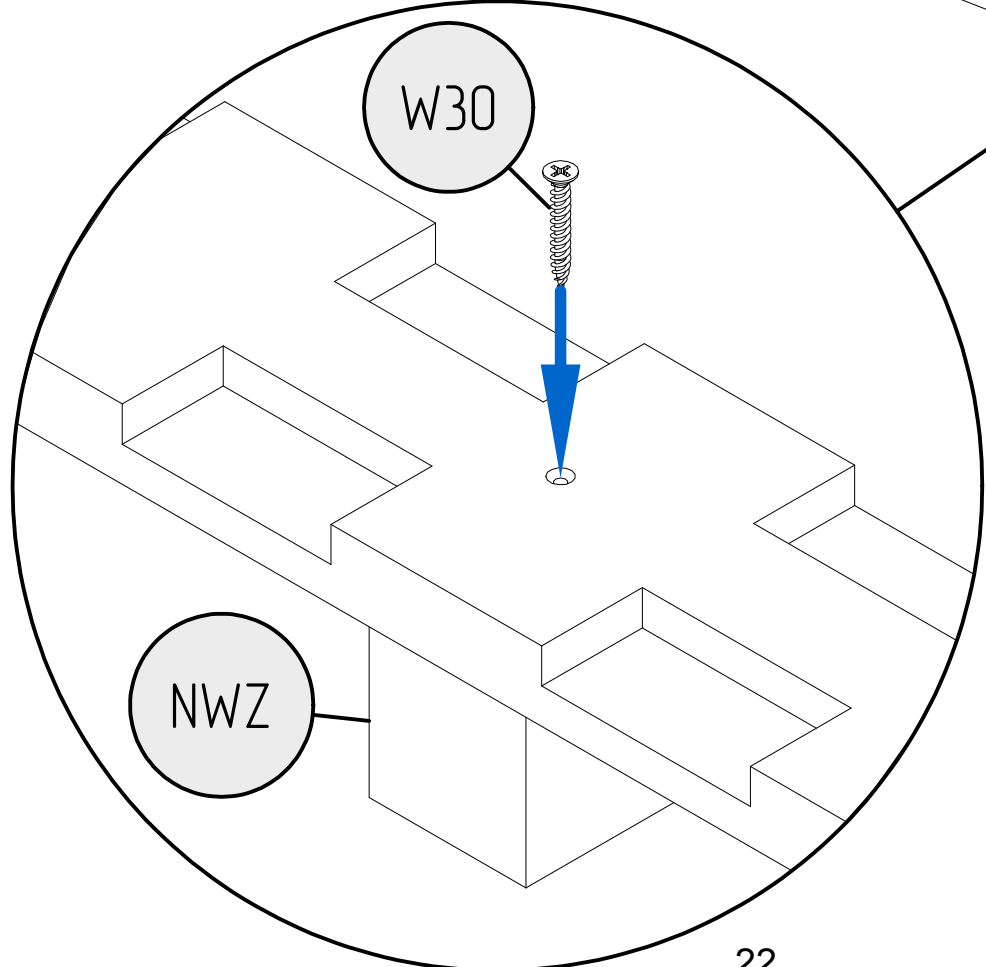


K10+G



W30

WZ



NWZ

K10

G



NP

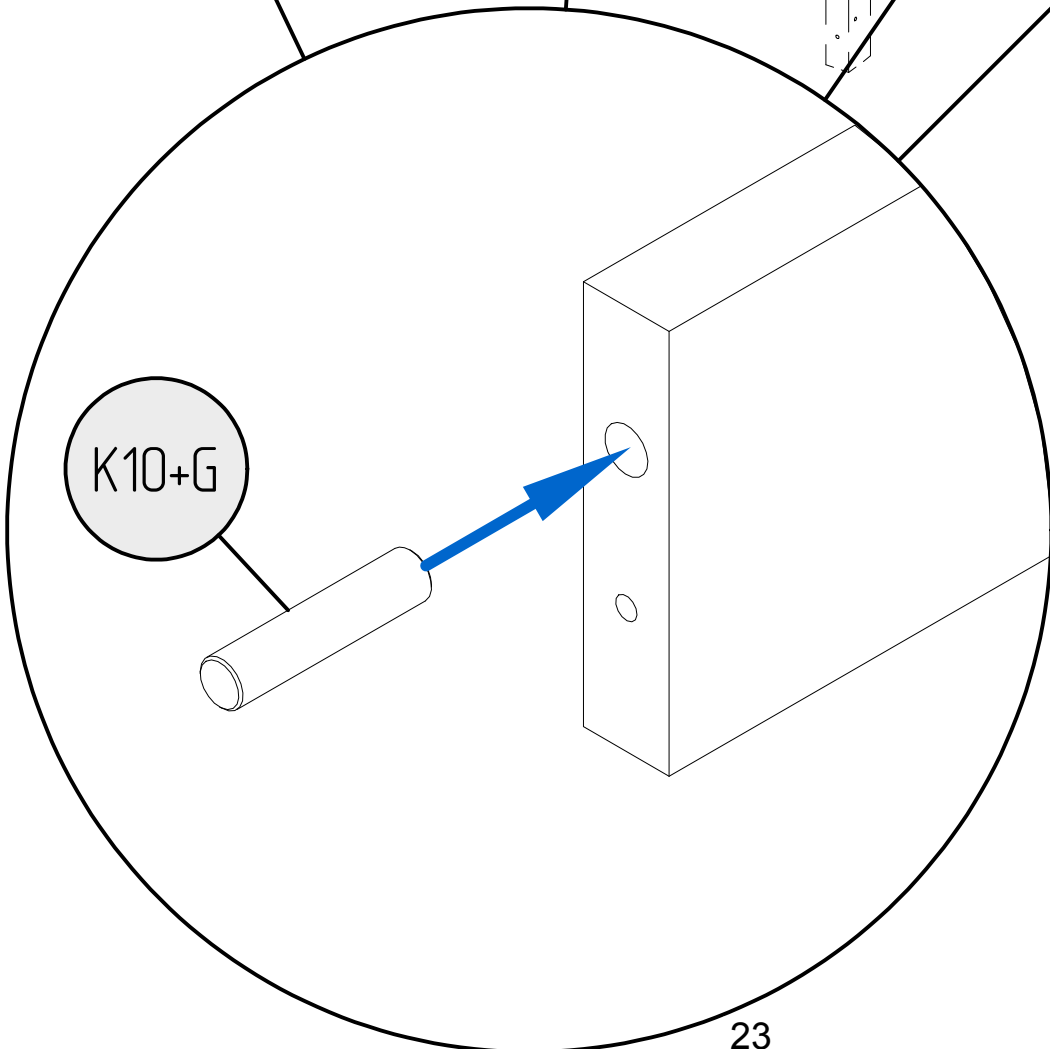
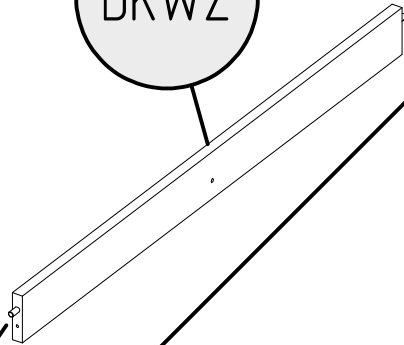
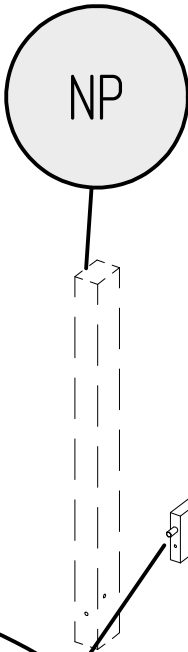
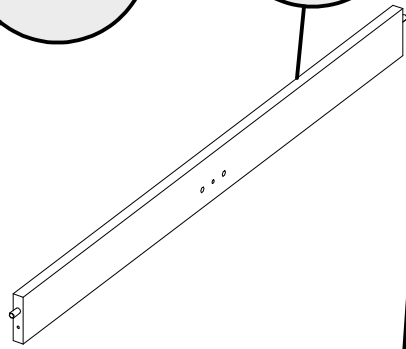
NL

NL

DKWZ

NP

DKWZ

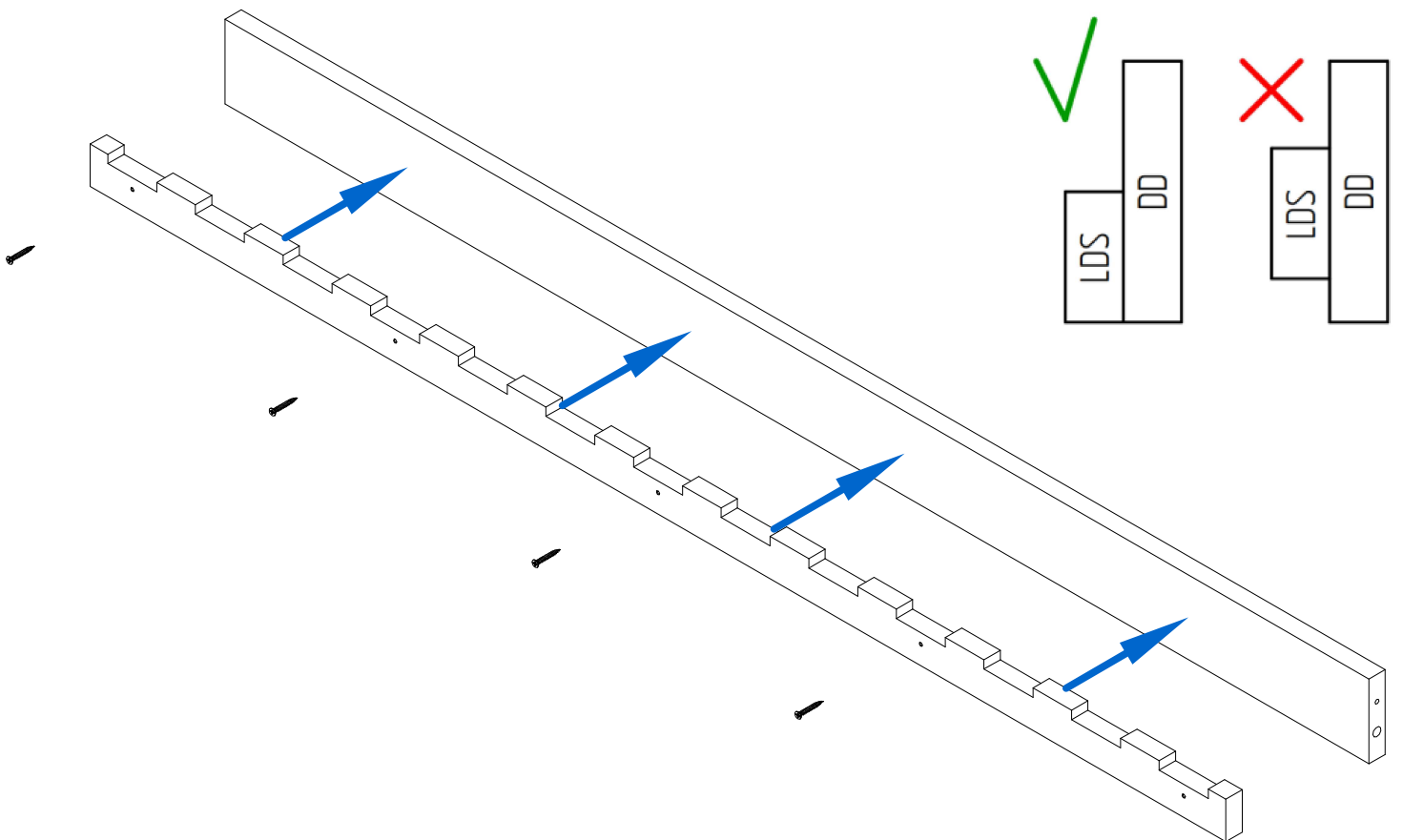
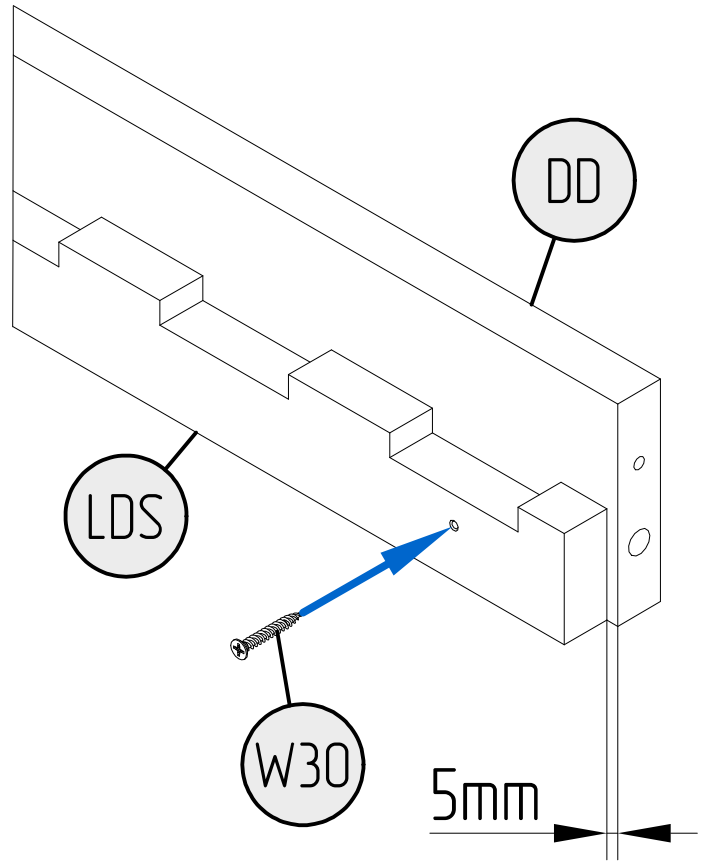
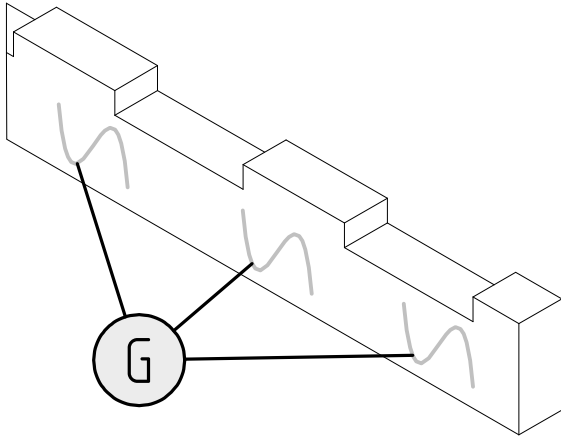
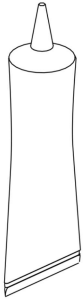
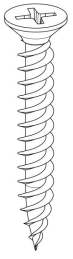


K10+G

TO PROPERLY SCREW
DOWN THE
BED LEGS,
SEE THE FIRST
PART OF THE
MANUAL

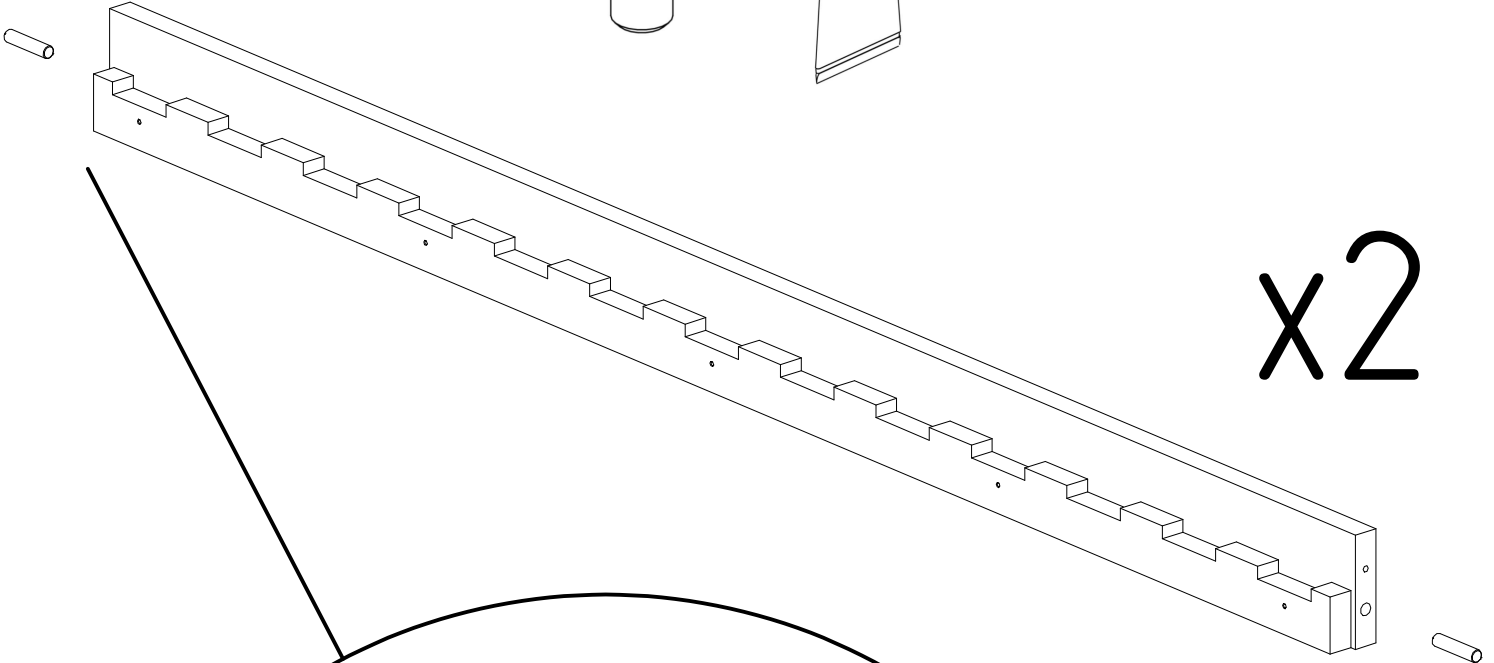
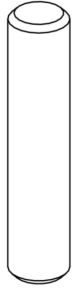
W30

G

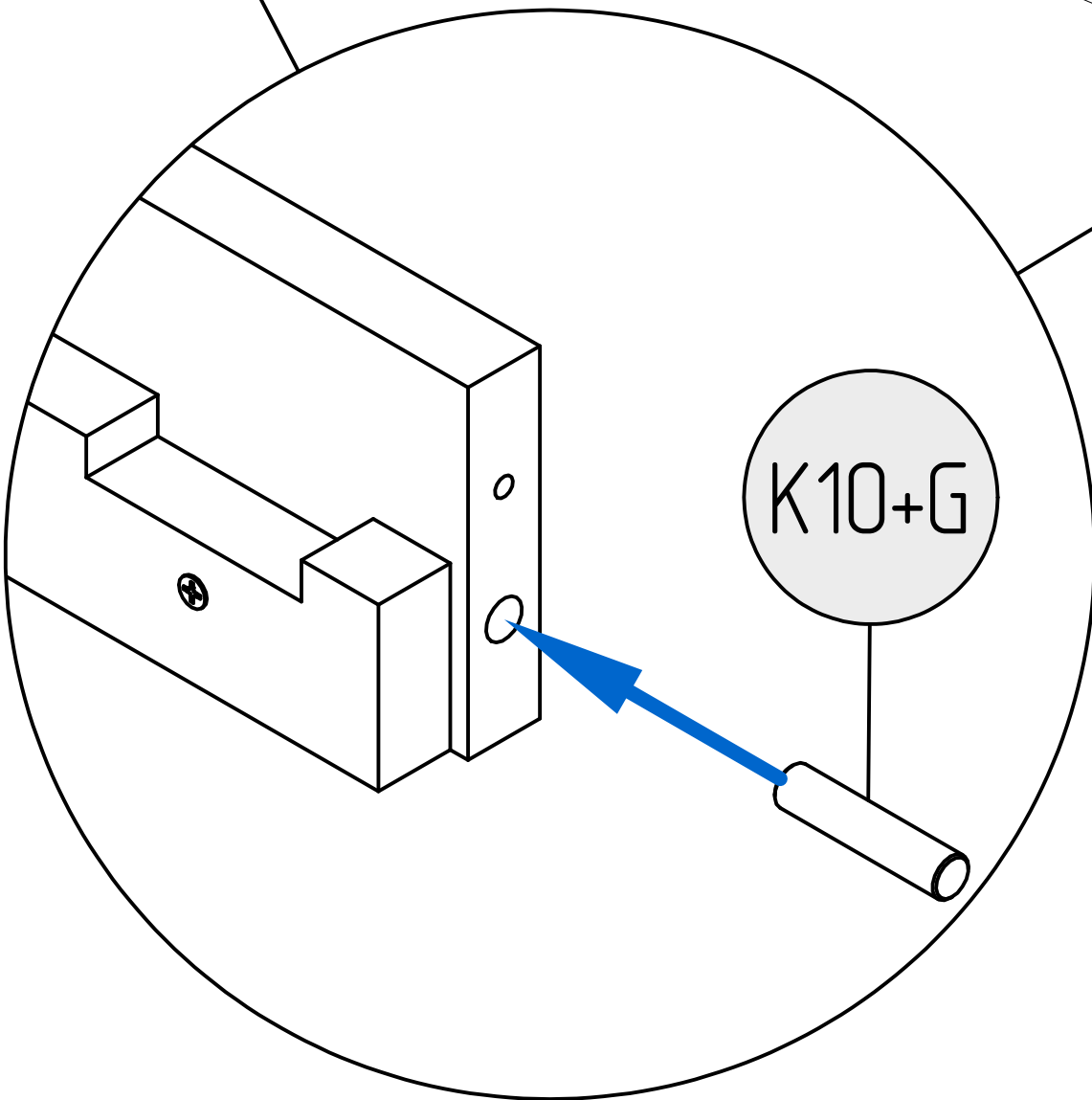


K10

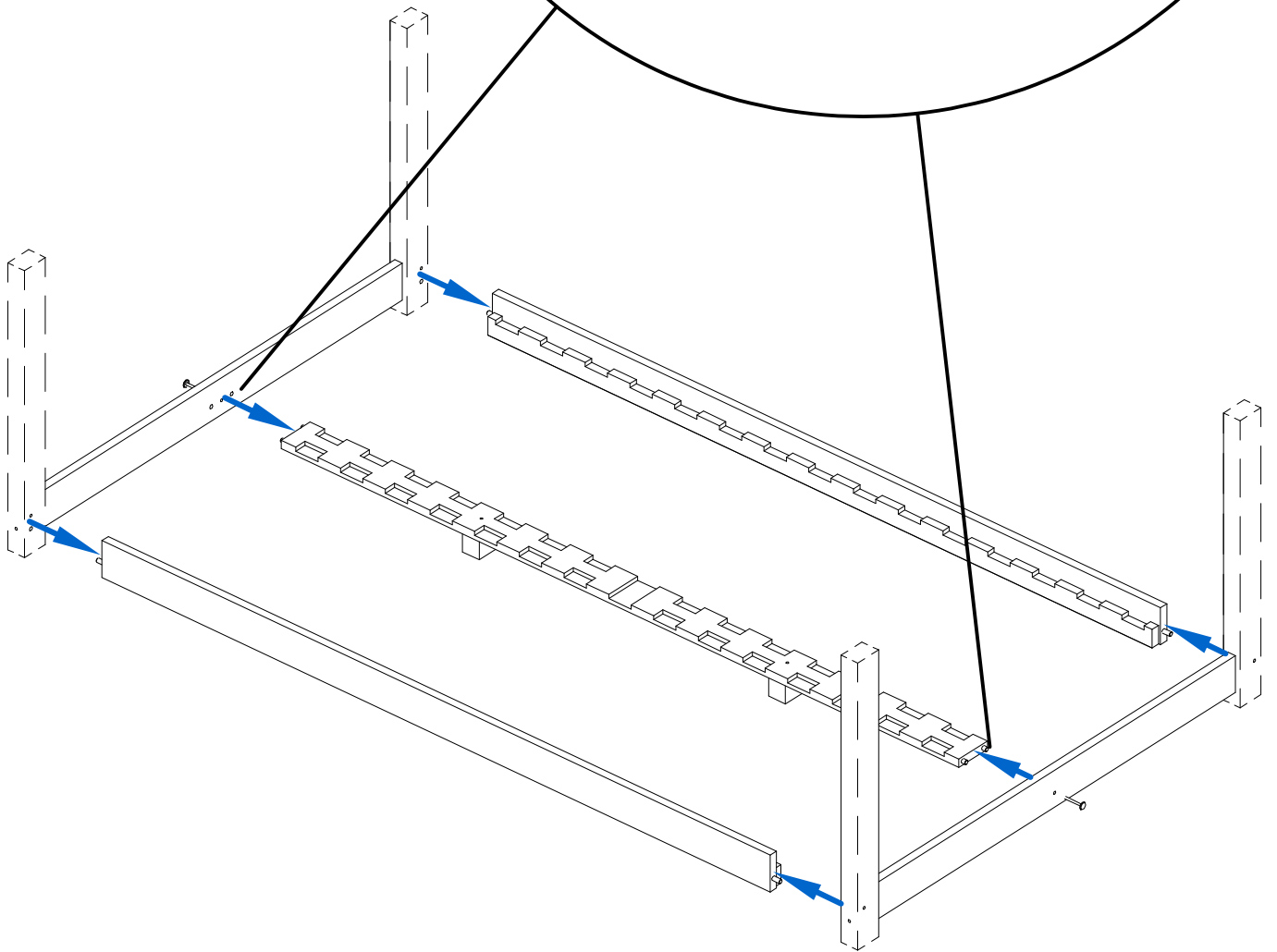
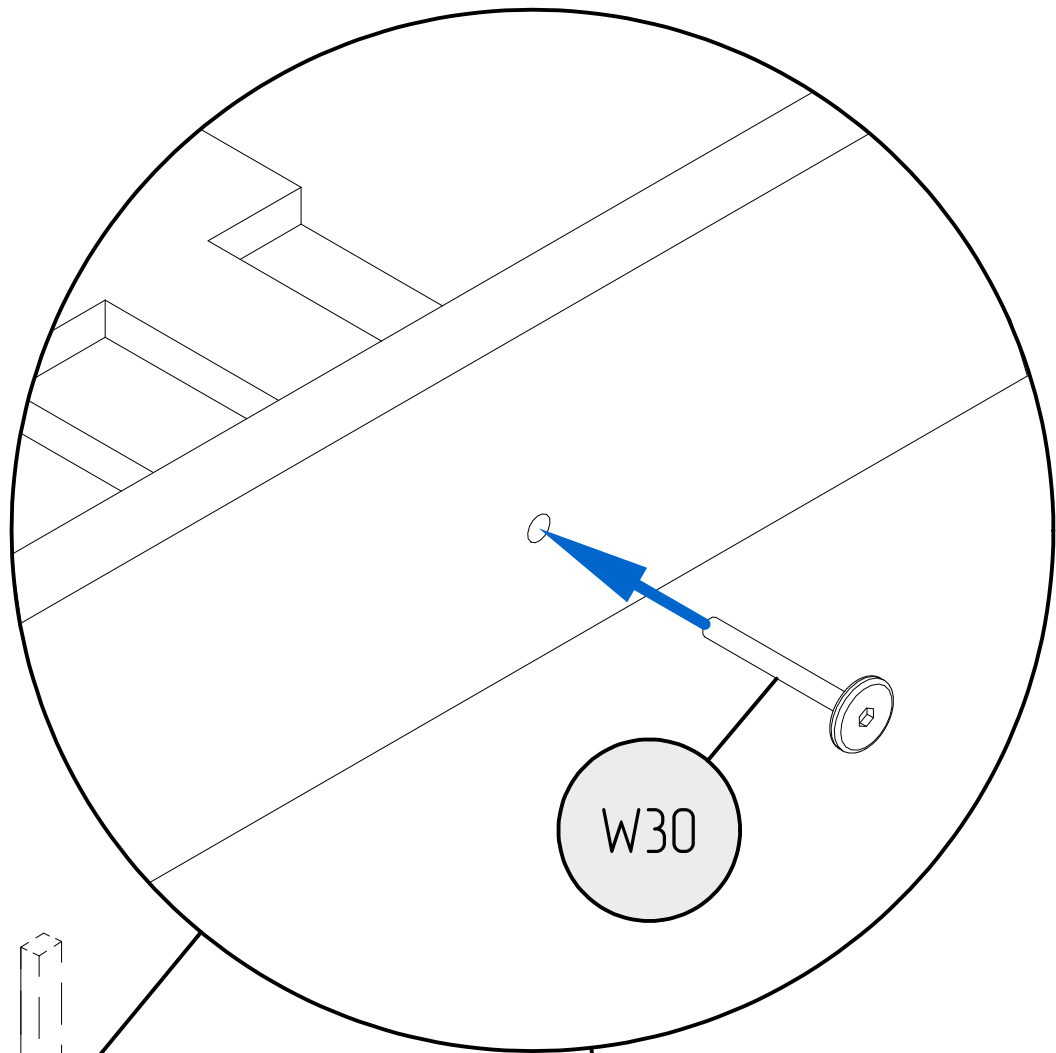
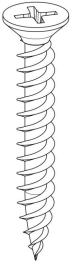
G



x2

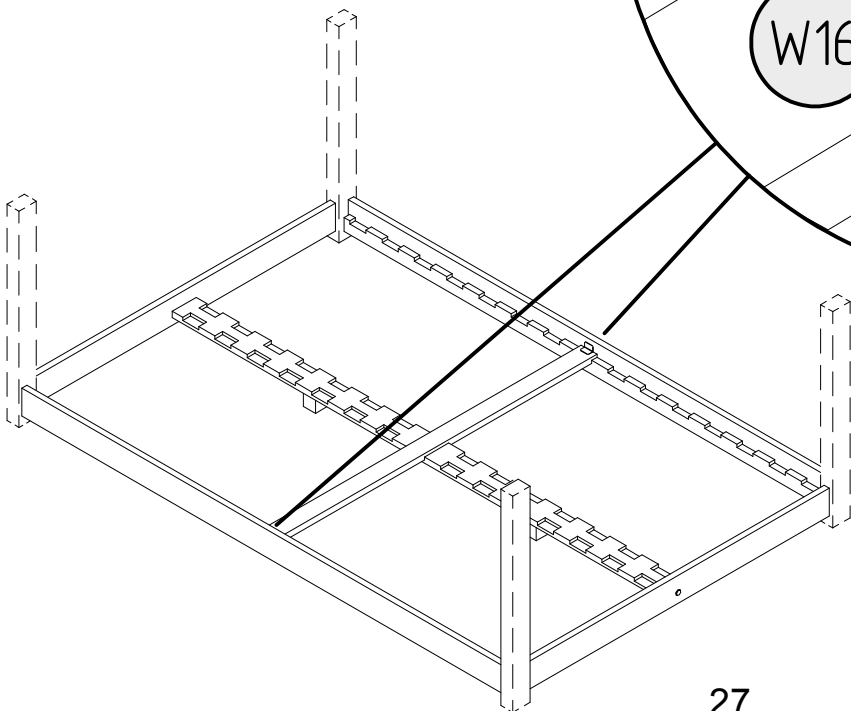
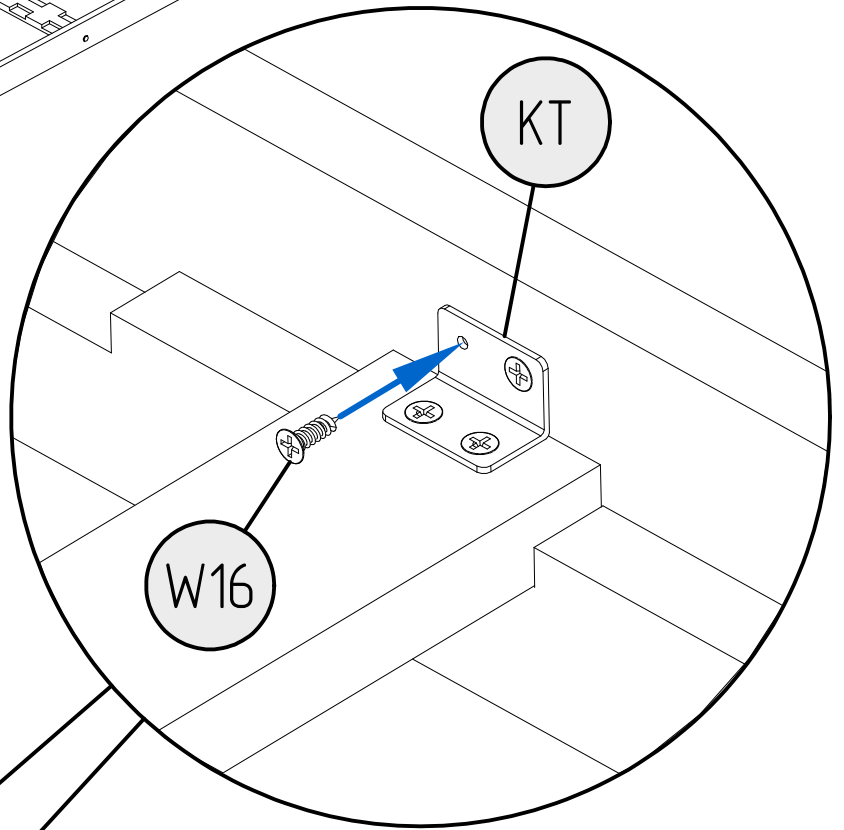
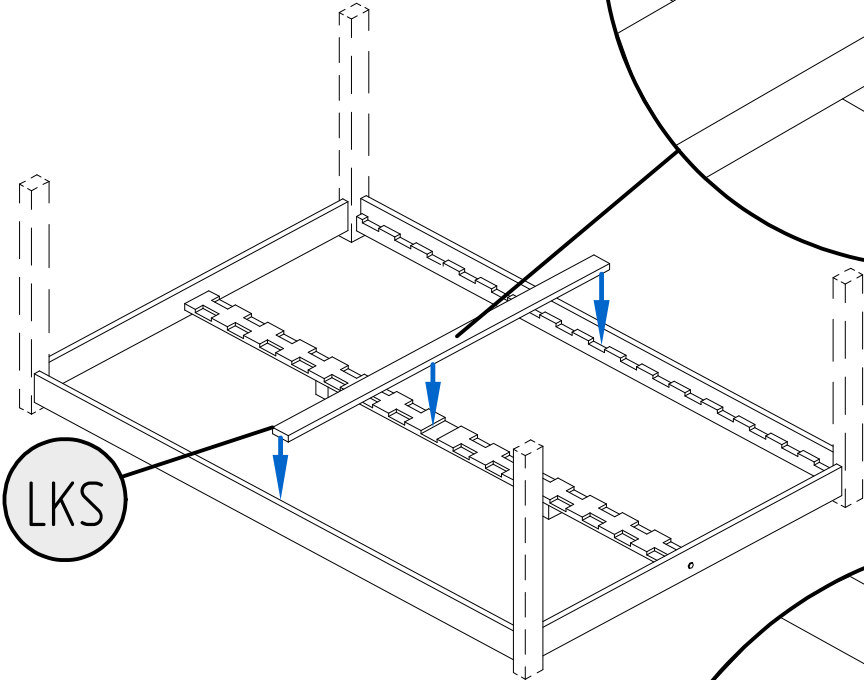
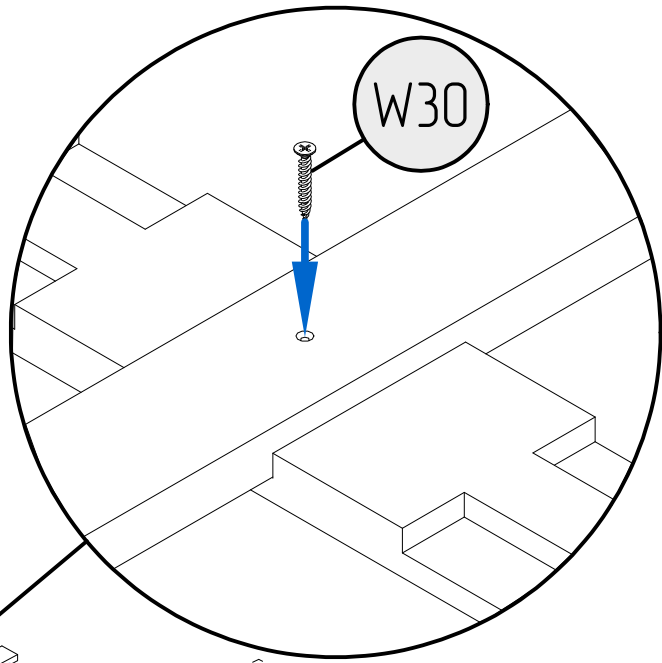
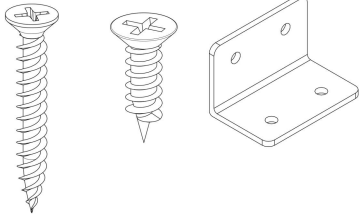


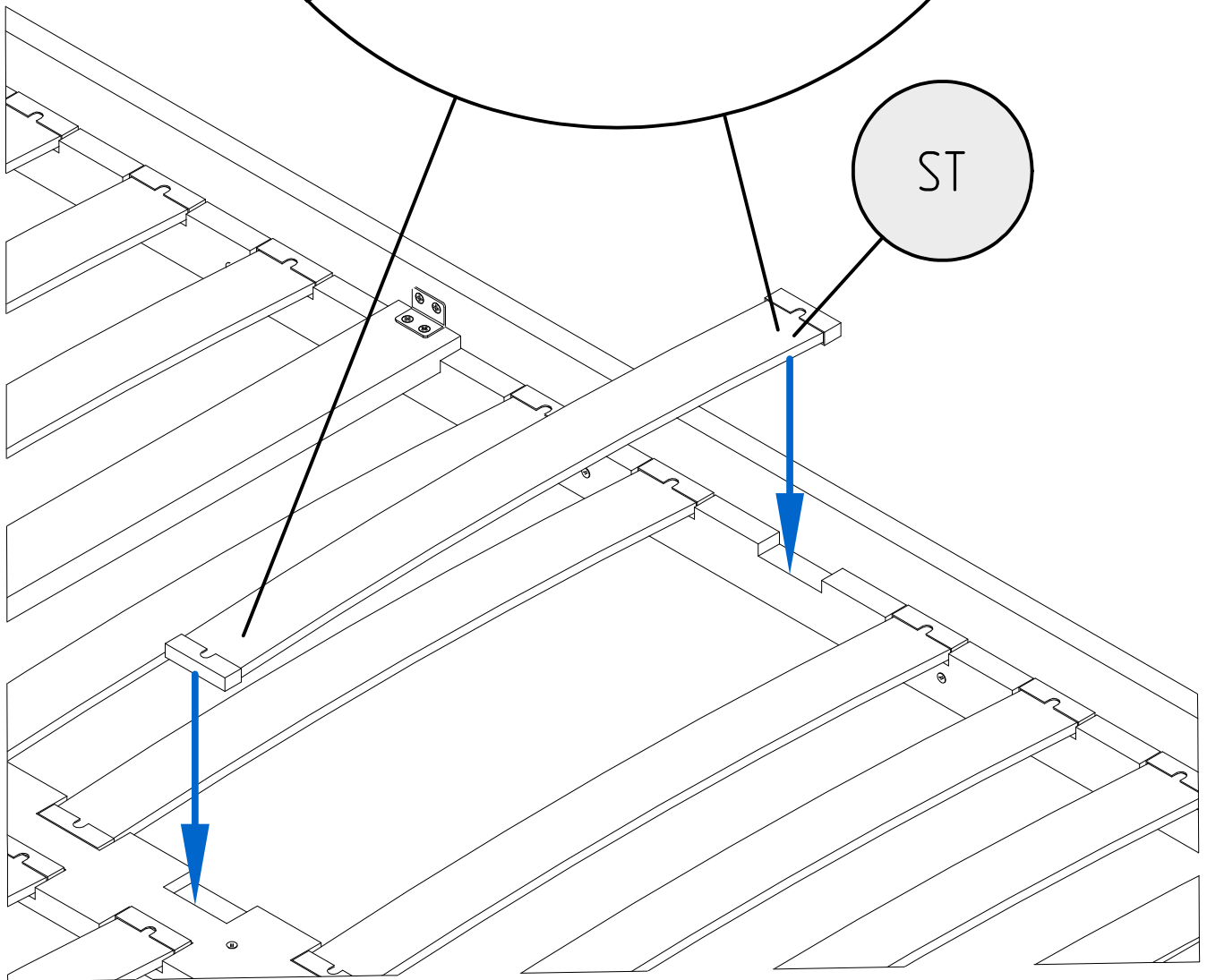
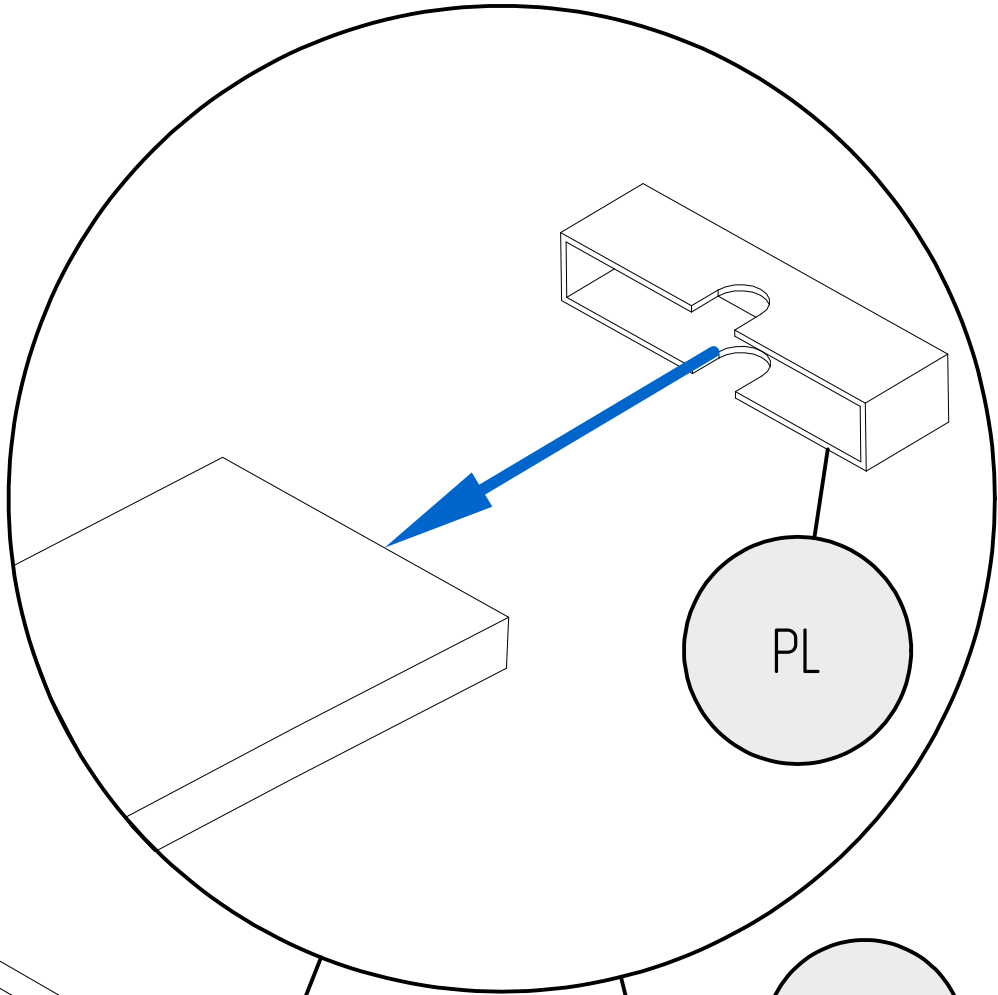
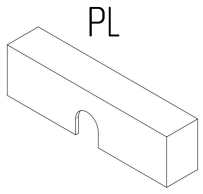
W30



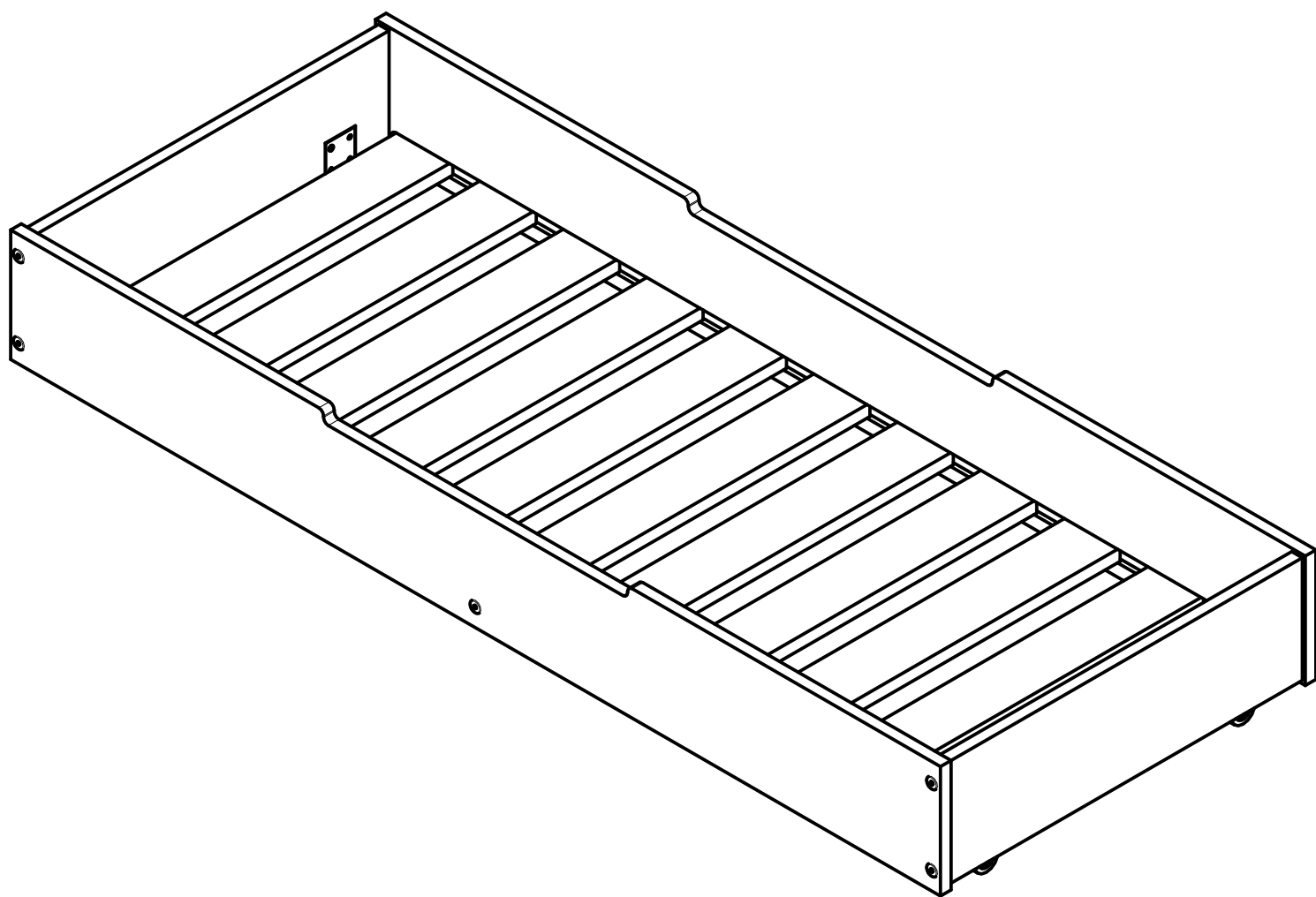
TO INSTALL ALL THE ELEMENTS CORRECTLY,
PLEASE REFER TO THE FIRST PART OF MANUAL

W30 W16 KT

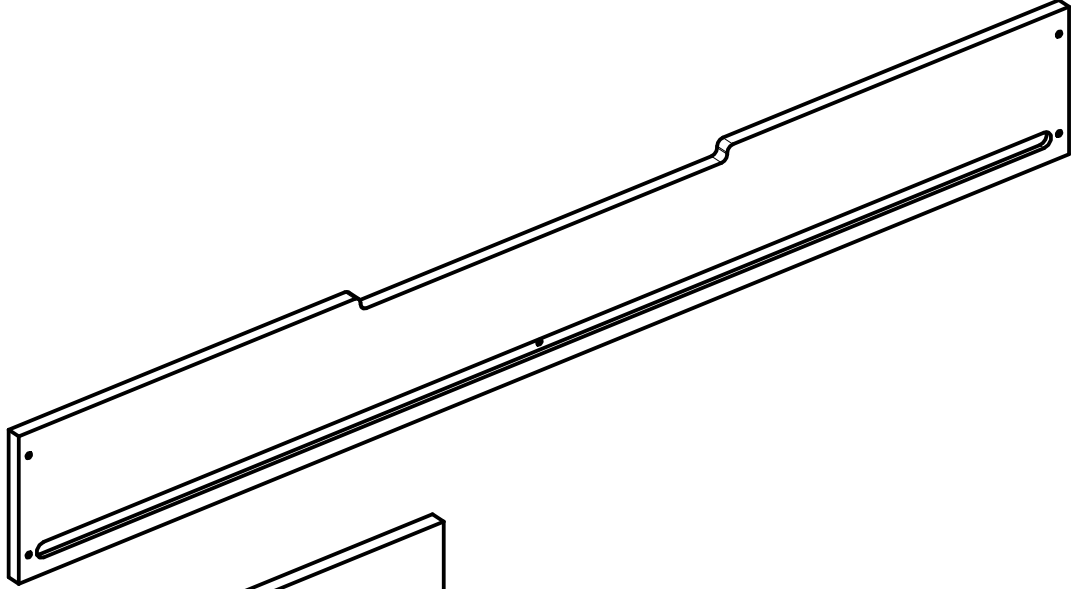




Drawer



FSZ



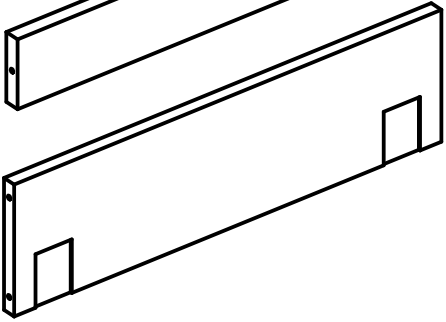
DSZ



DSZ1

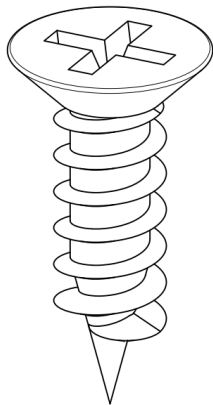


BSZ

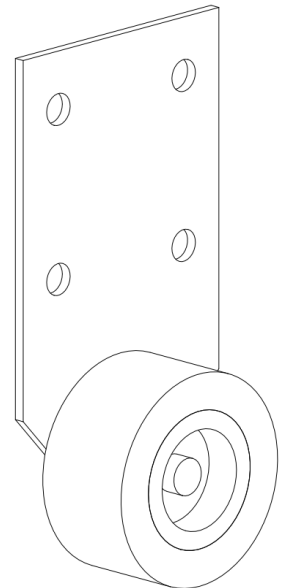
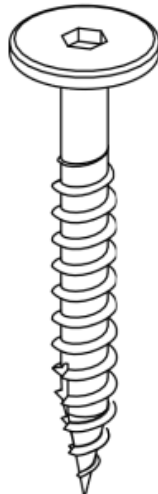


W

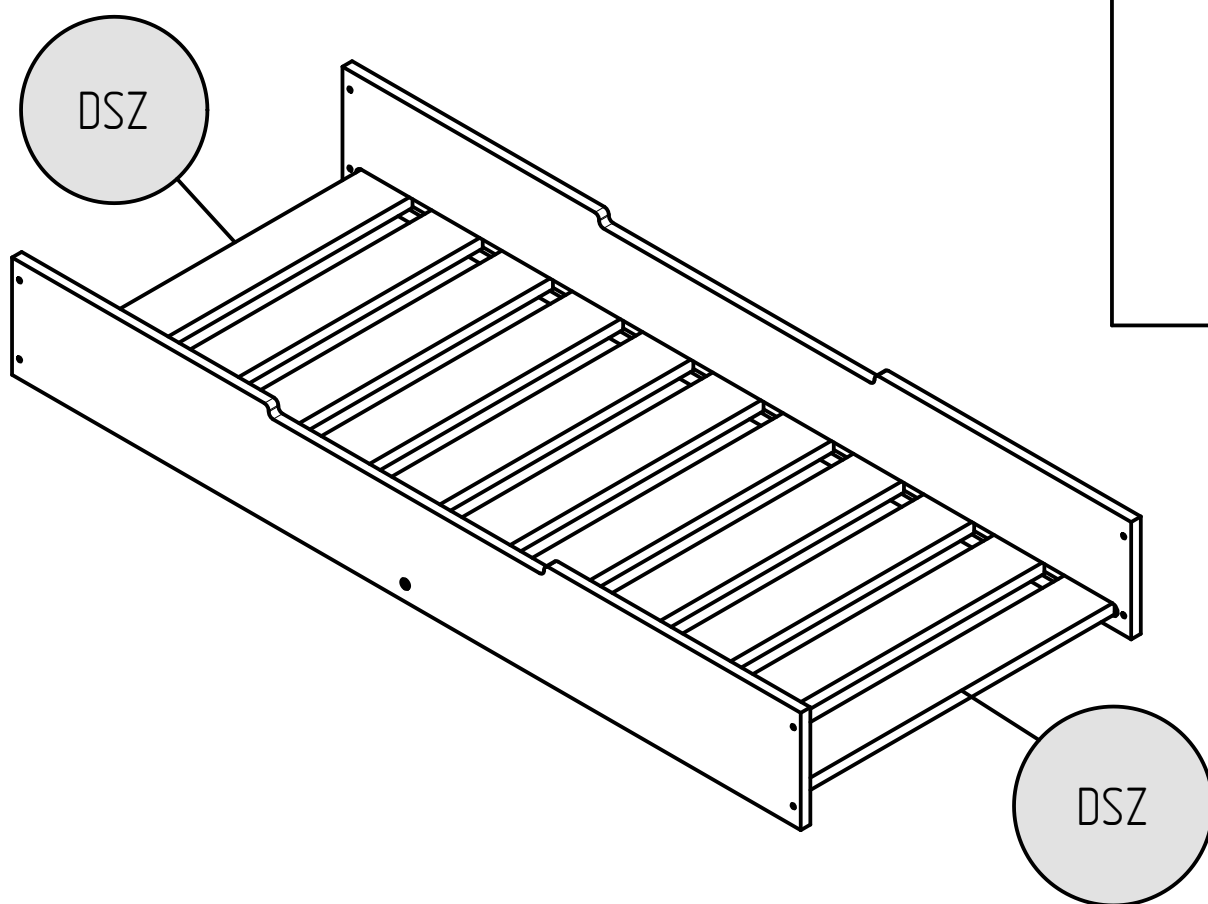
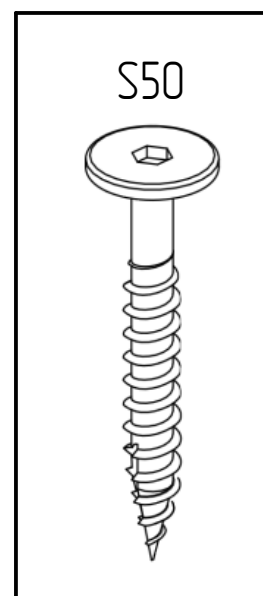
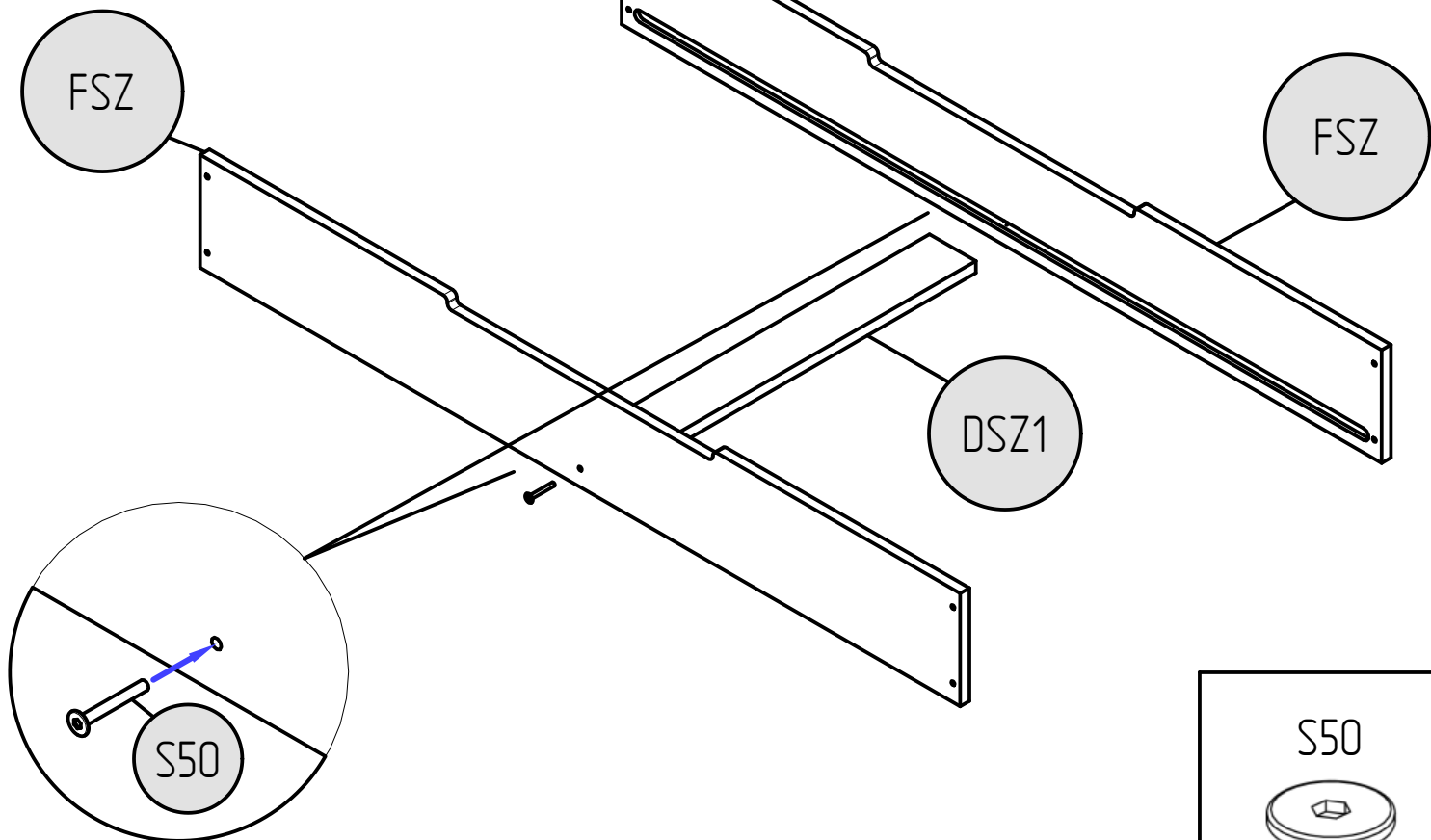
W16

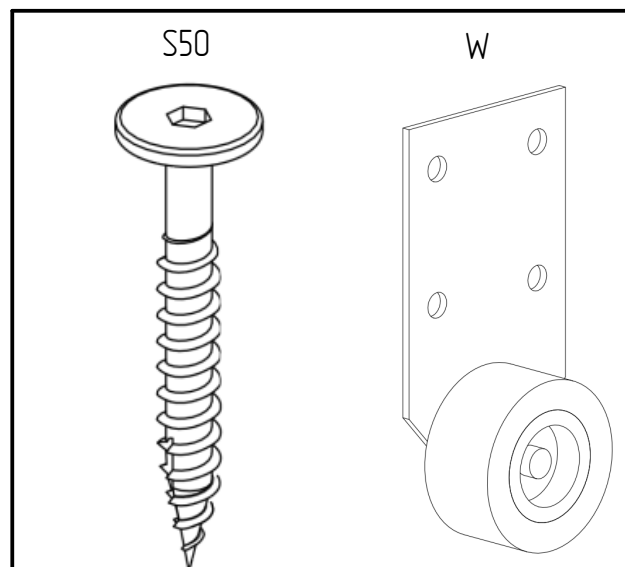
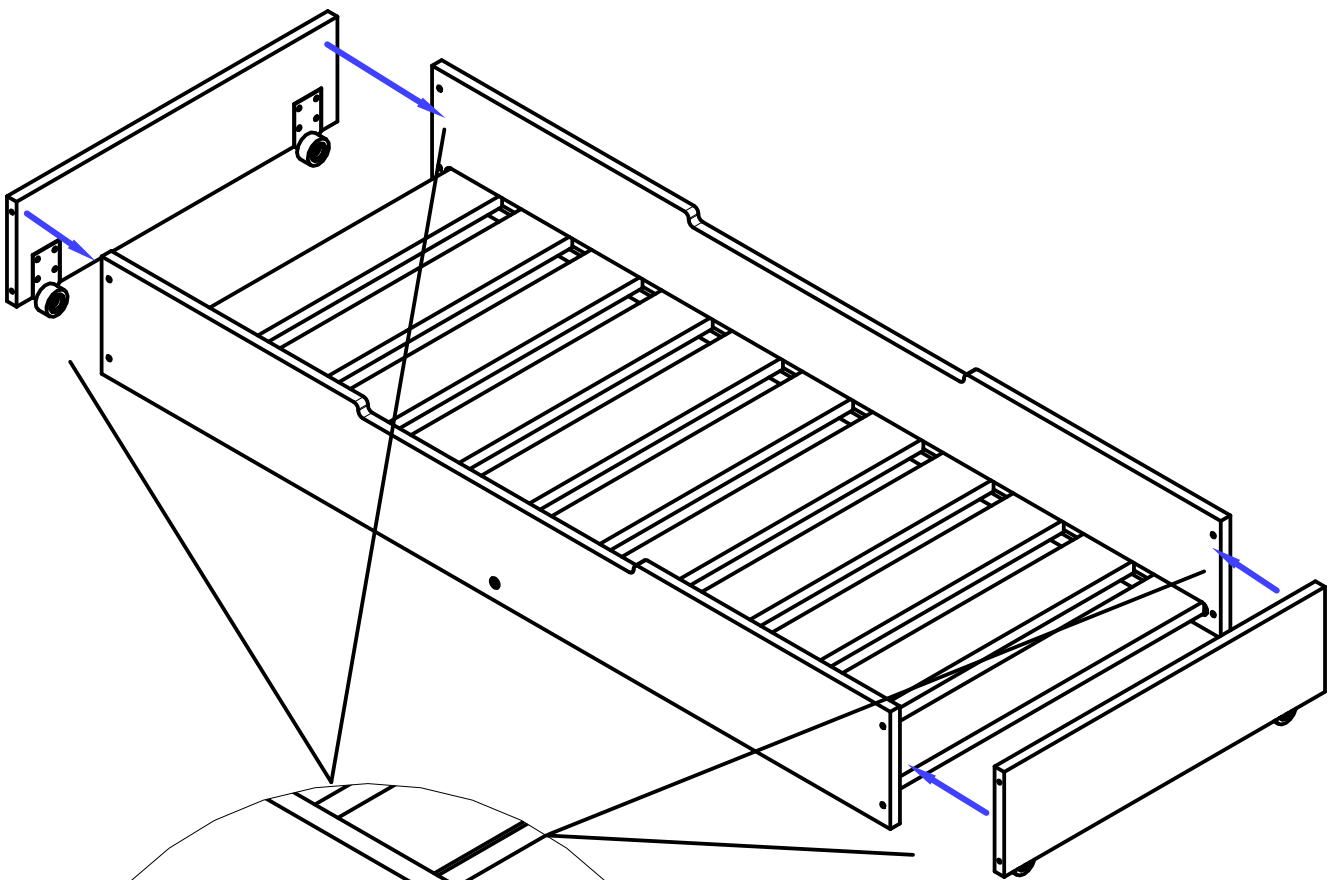
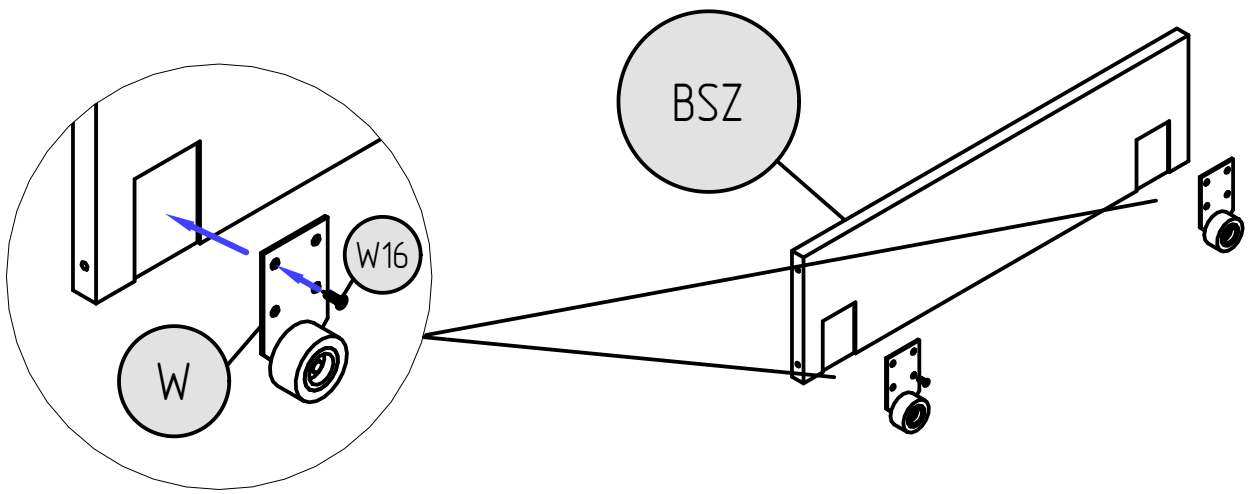


S50



PART	FSZ	DSZ	DSZ1	BSZ	W16	S50	W
QUANTITY	2	10	1	2	16	10	4





Woohoo!

High-fives all around for a job well done.

We hope your little one is over the moon with their new Petit Puk bed. And why not show off all your hard work? Snap a pic and share it with us on Instagram (tag us @petitpuk) or shoot us an email at info@petitpuk.com. We love seeing our creations come to life in your wonderful homes!

Now, before your kid dives in headfirst, here are a few friendly reminders:

- Stick to mattresses between 8-14 cm thick for the perfect fit.
- Beds are for snoozing, not bouncing
- Keep it safe with just one child on the bunk bed.
- Please, no acrobatics - avoid hanging off any parts of the bed.
- Keep things tidy with a gentle wipe-down of wooden and plastic parts using a dry cloth and mild cleaner.

Warranty

We've got your back with a 2-year warranty on bed parts under normal use. If you ever need a hand or have any questions, don't hesitate to reach out to Team Petit Puk. Just send us a message with your name and order number, along with images of the situation.