



Congratulations with your PETIT PUK BED!

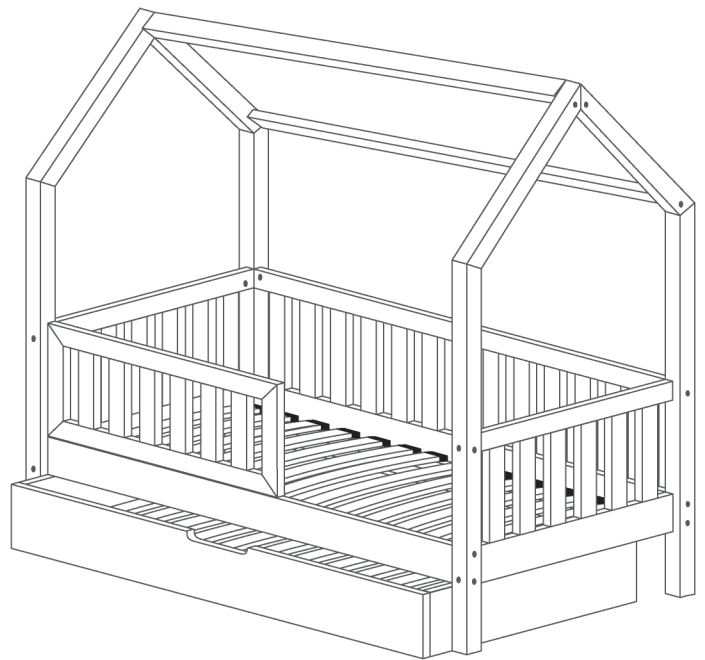
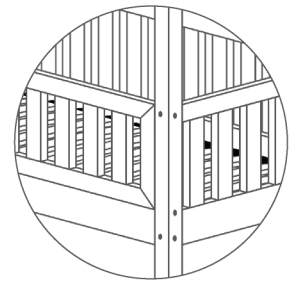
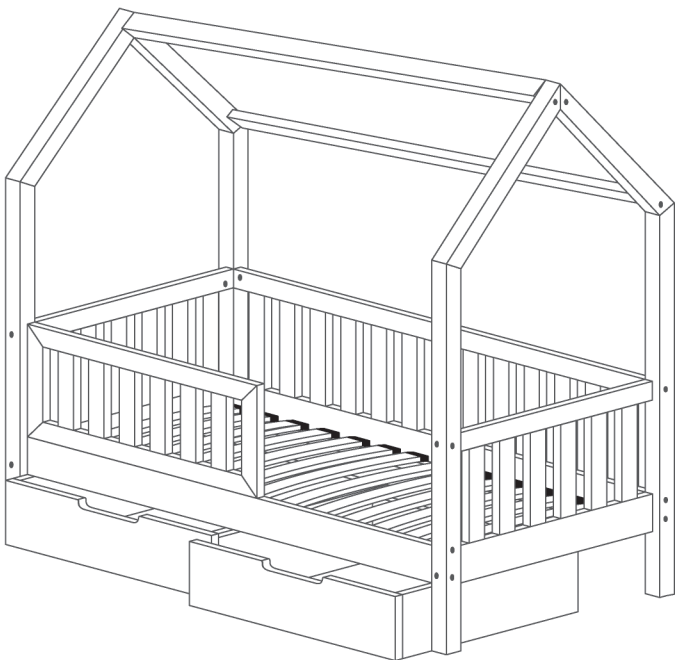
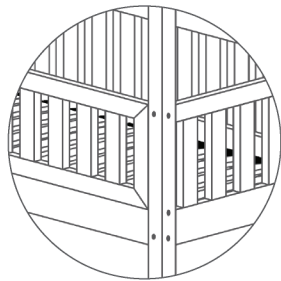
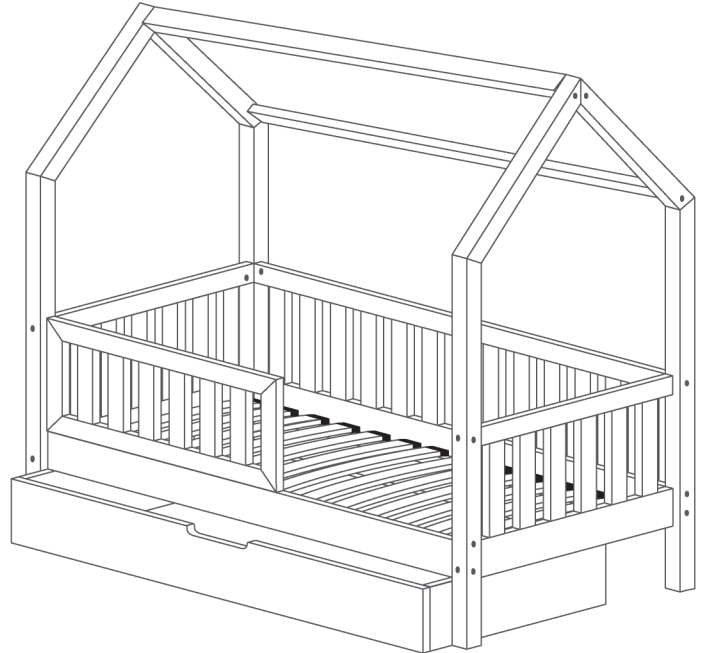
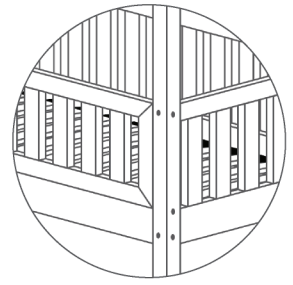
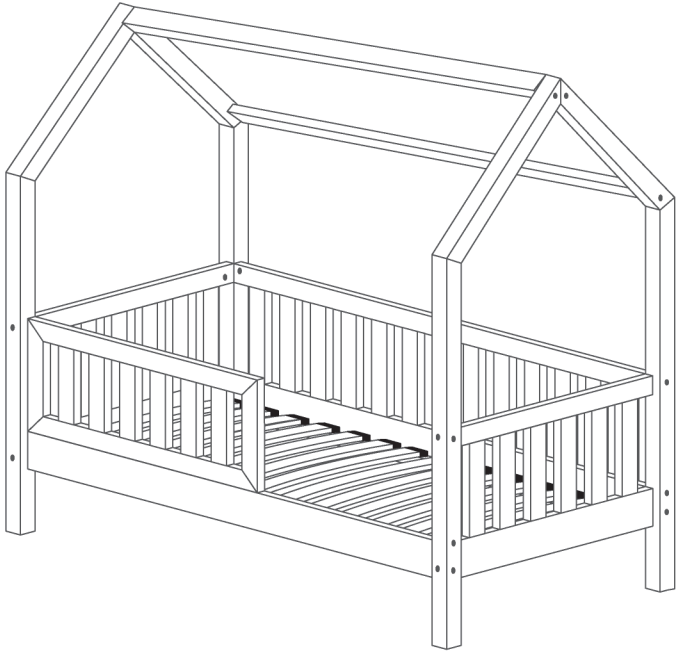
Now it's assembly time. Please make sure to check these elements prior to starting:

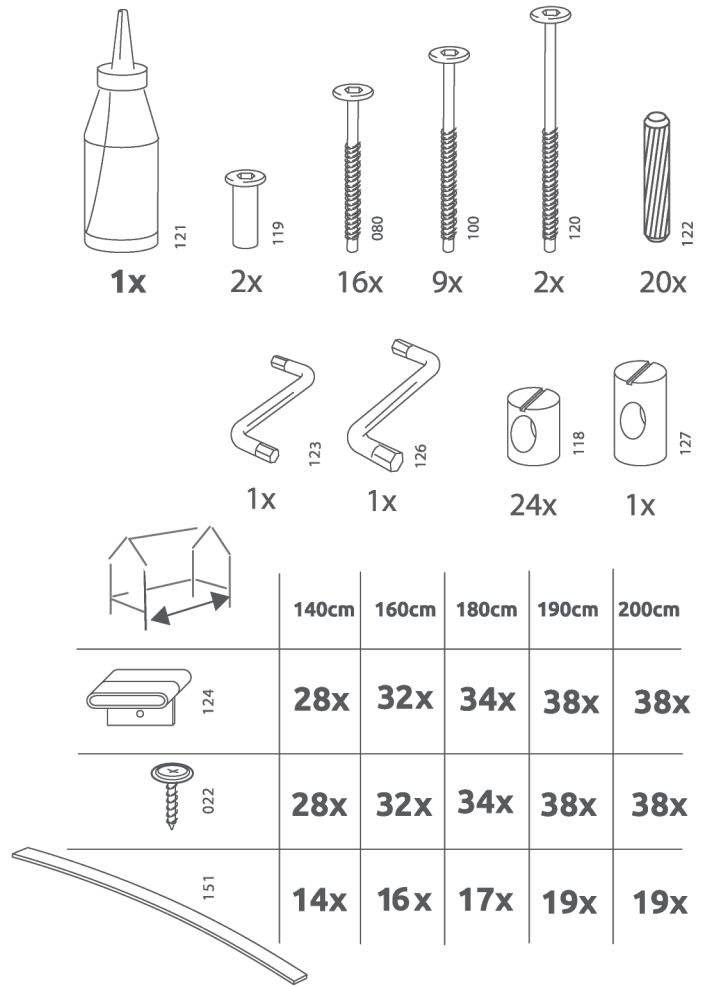
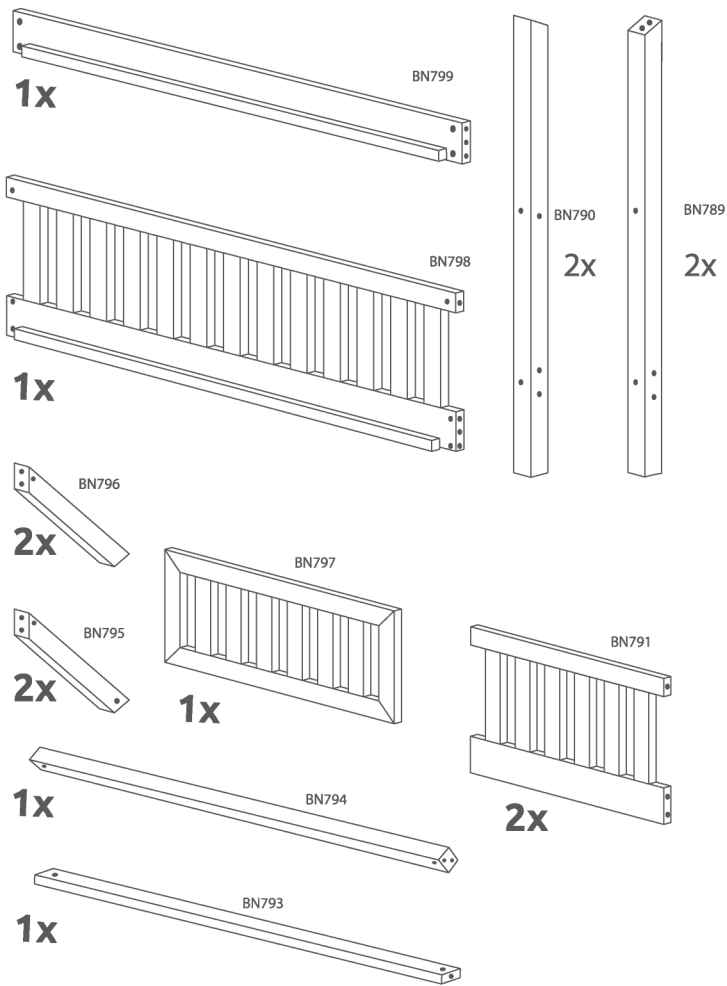
- ♥ is everything complete?
- ♥ are all pieces in good shape?
- ♥ good spirits and perhaps a partner in crime in your presence?
- ♥ ready to take a photo of your great work afterwards, to share it with us?
- ♥ ticked all boxes with yes? Ready, steady, gooo!

PS. A tip

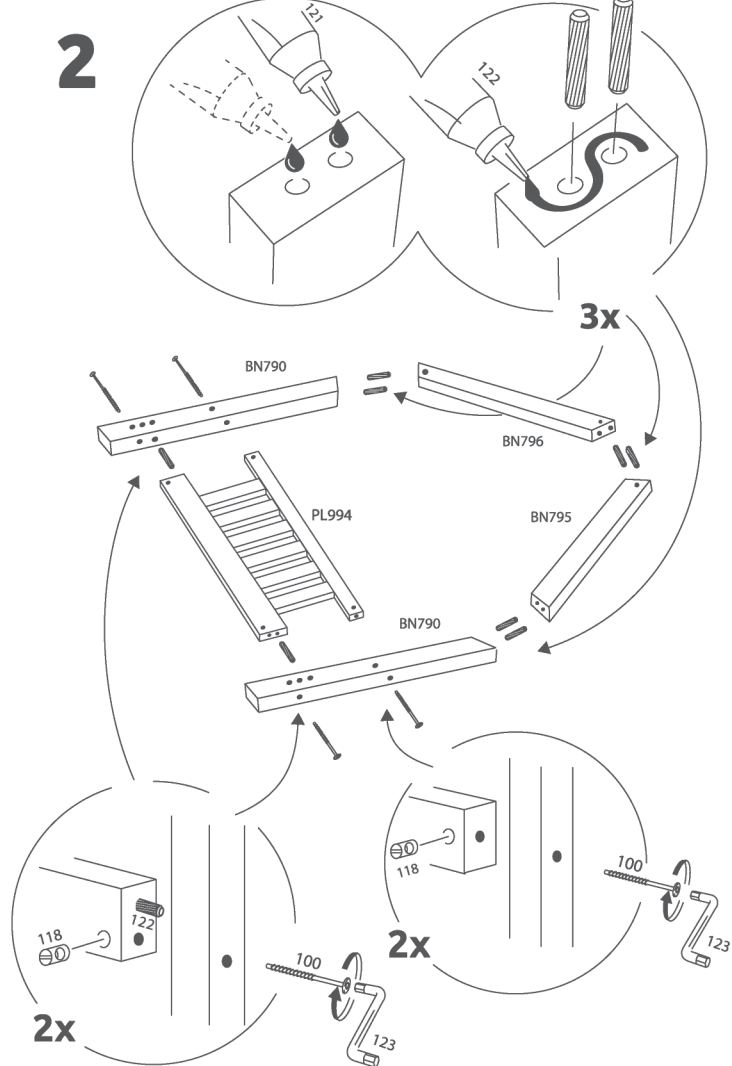
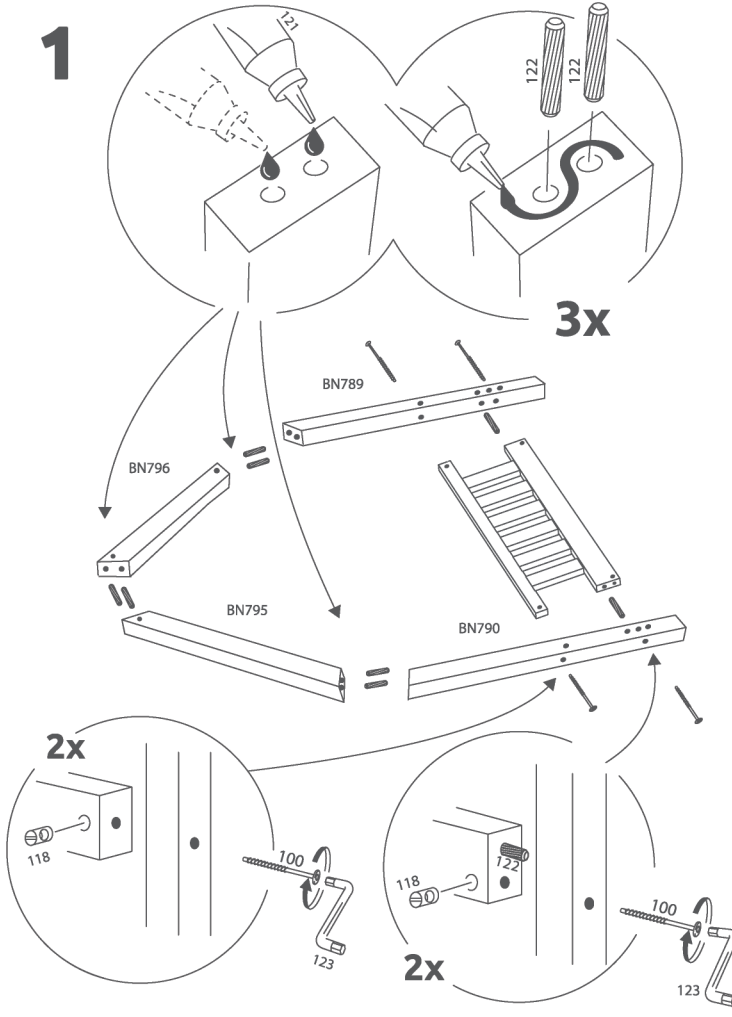
You will find small green glue tubes with EU standards. Just slide a small amount of glue into the holes to receive the wood dowels. Glue is only necessary at the level of beveled wood stud assemblies for perfect stability. It is not necessary to put glue on the bed base which would prevent you from dismantling the bed afterwards.

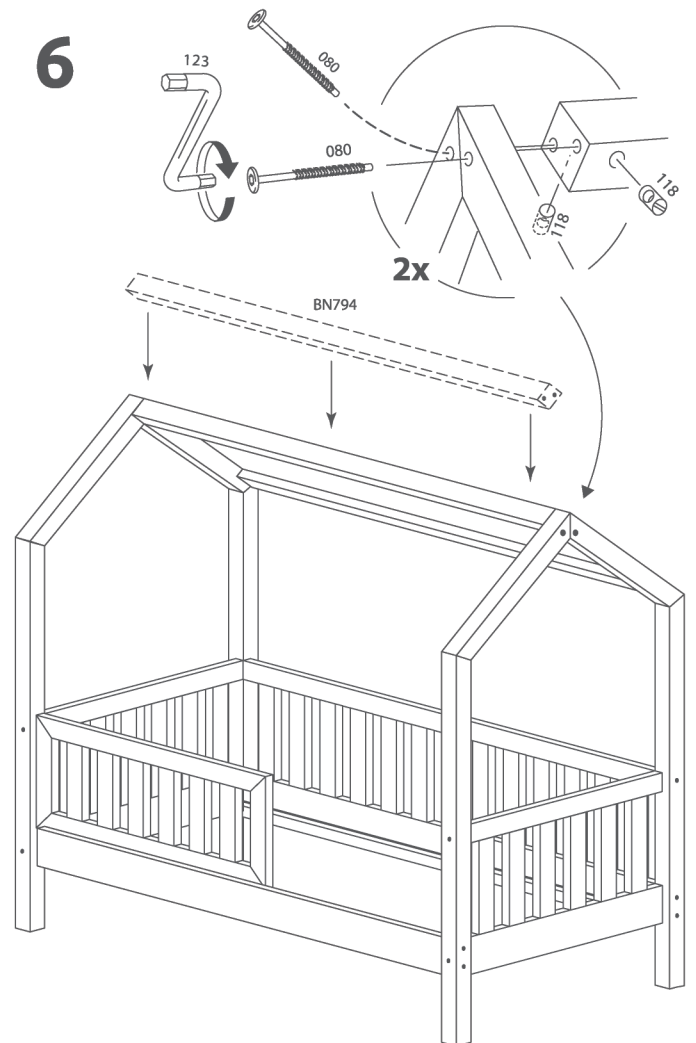
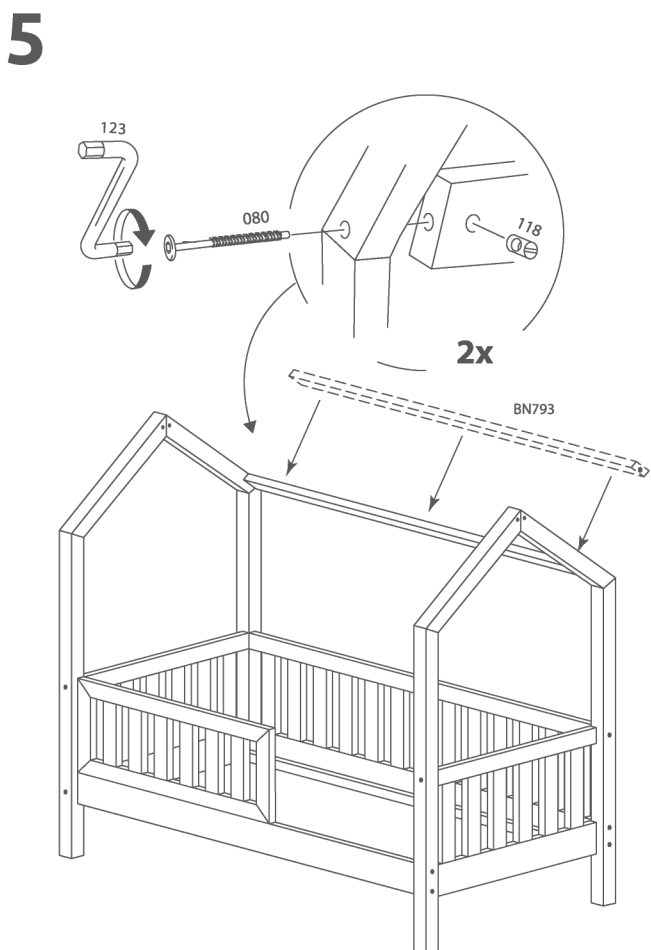
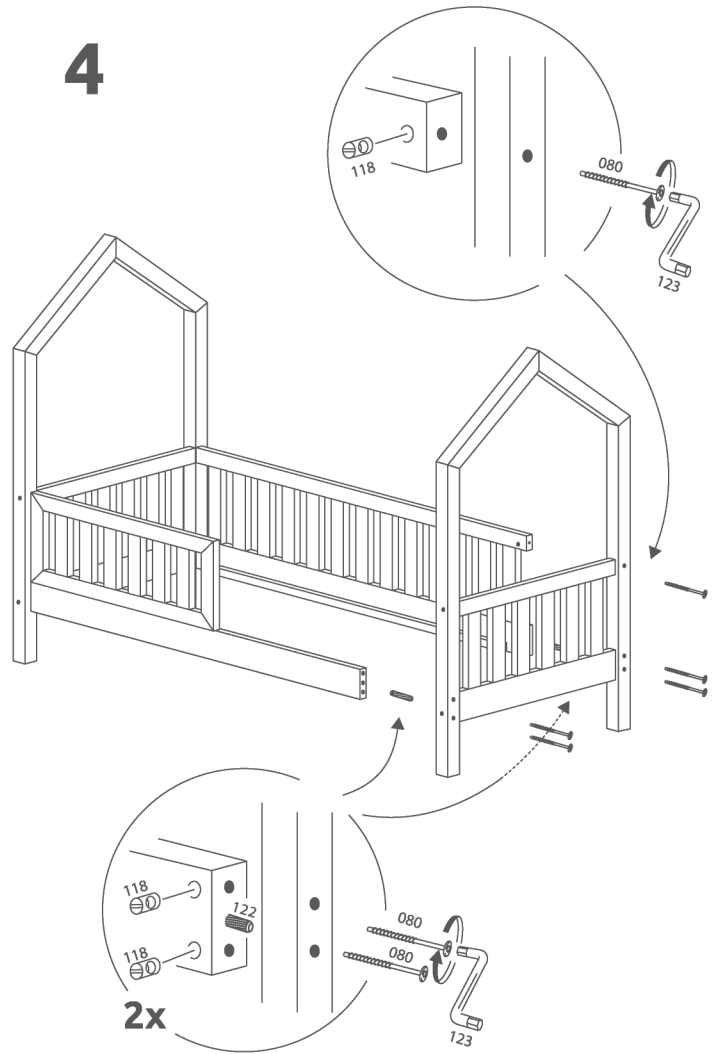
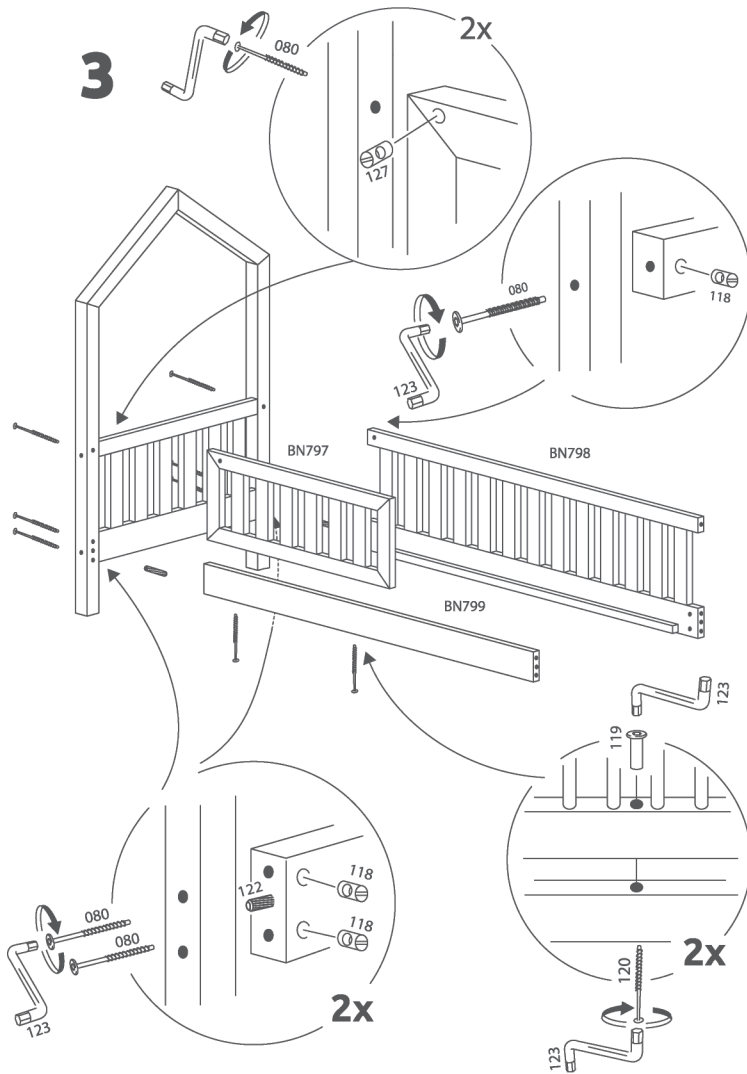
**PETIT
♥ PUK ♥**



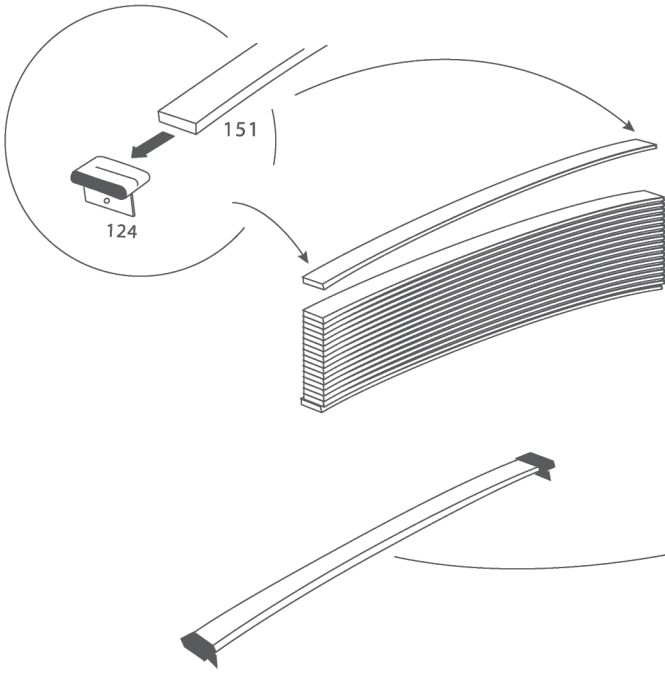


	140cm	160cm	180cm	190cm	200cm
124	28x	32x	34x	38x	38x
022	28x	32x	34x	38x	38x
151	14x	16x	17x	19x	19x

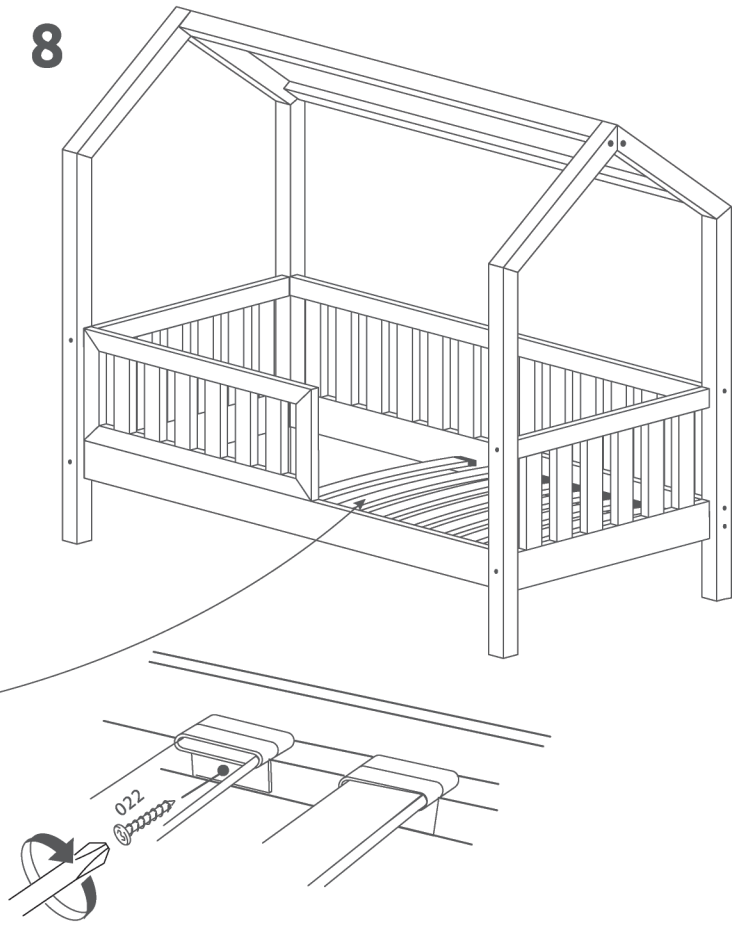




7



8



PLASTIC

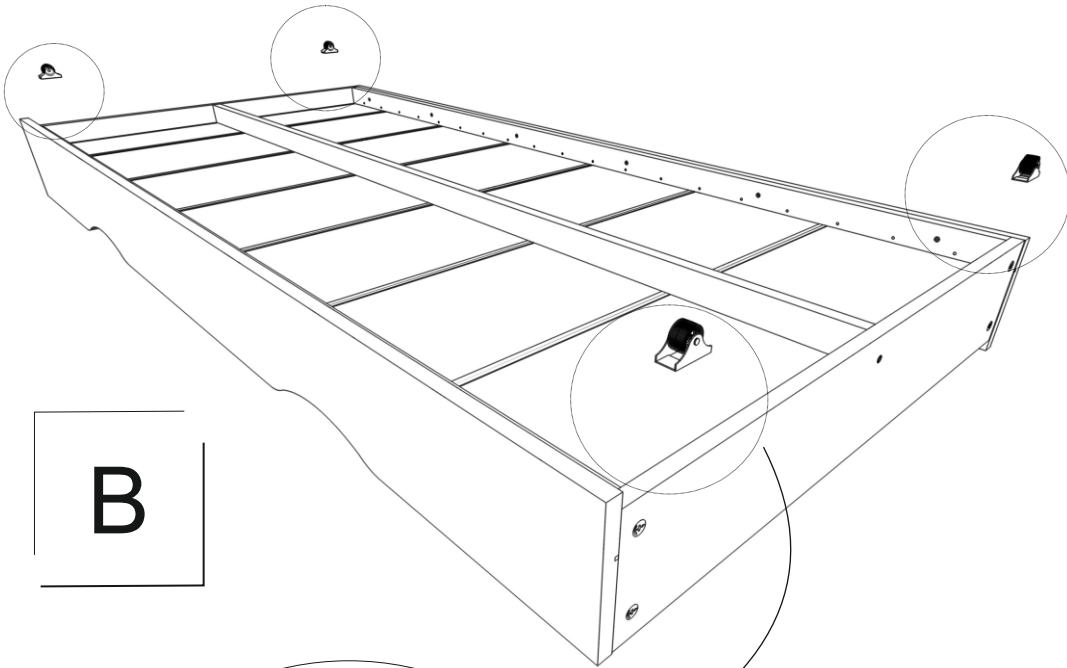
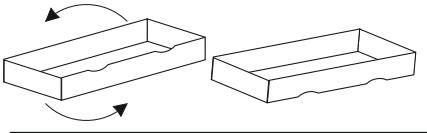


METAL

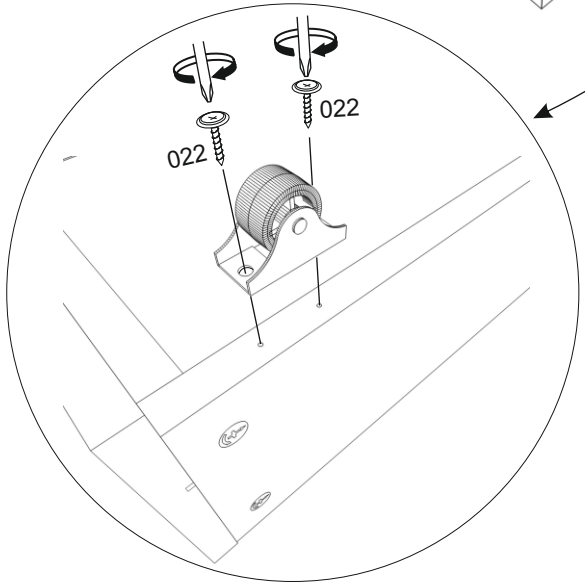


PAPER

12

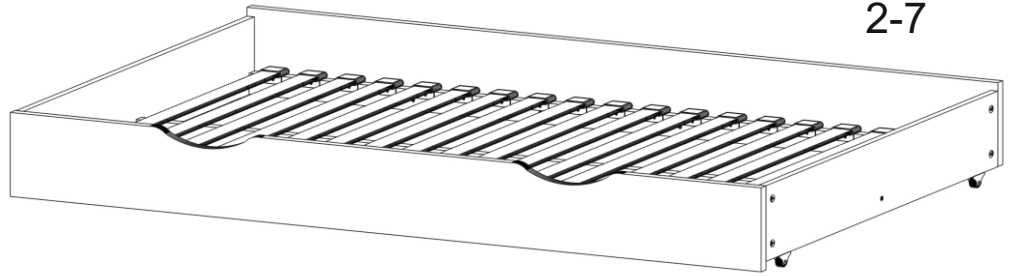


B



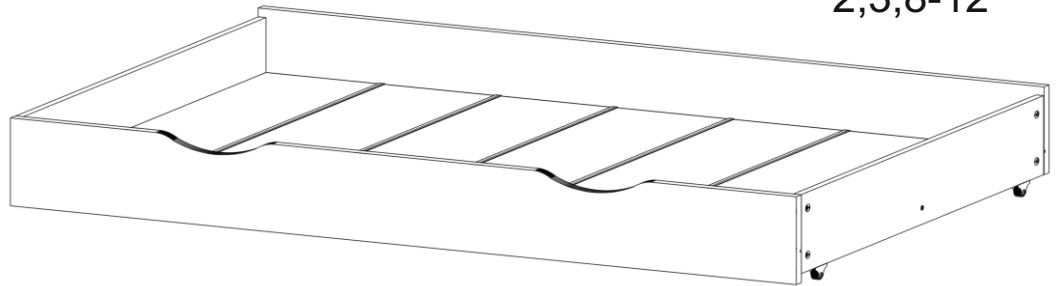
A

2-7

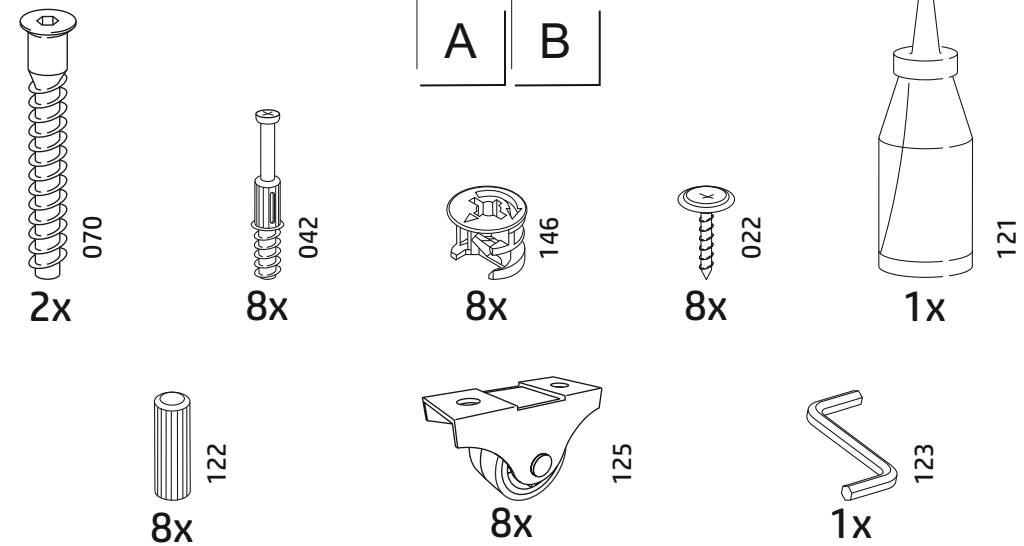


B

2,3,8-12

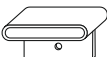

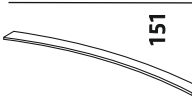


2.1

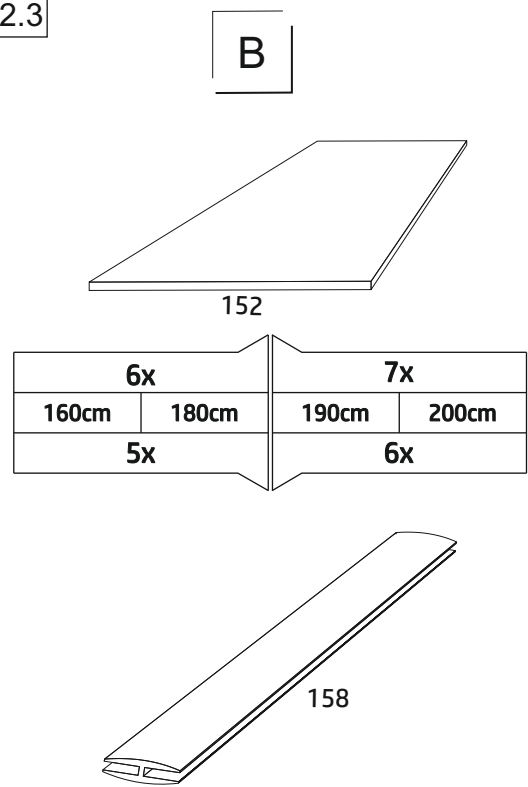


2.2

A

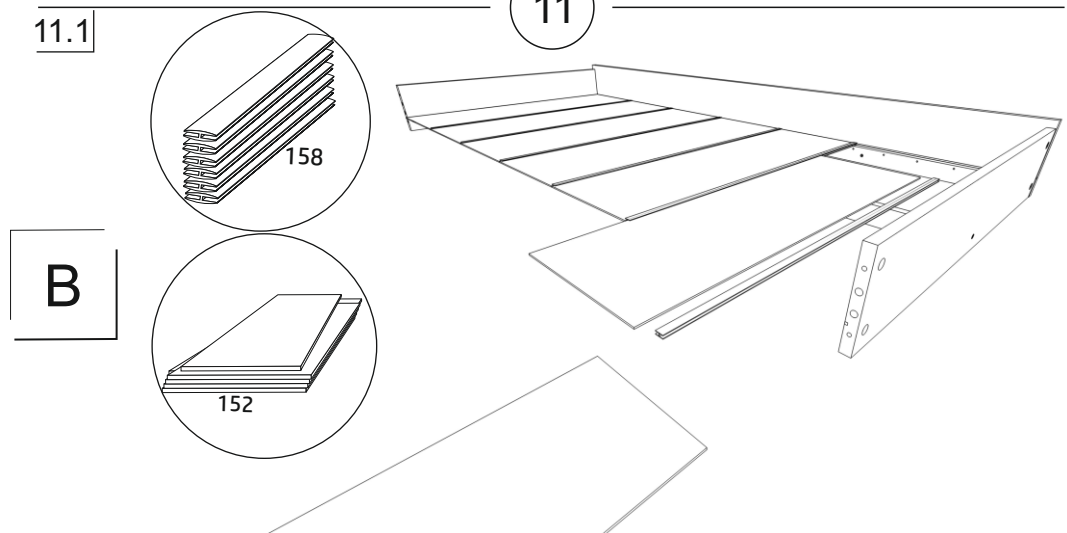
	160cm	180cm	190cm	200cm
 124	32x	36x	38x	40x
 022	32x	36x	38x	40x
 151	16x	18x	19x	20x

2.3

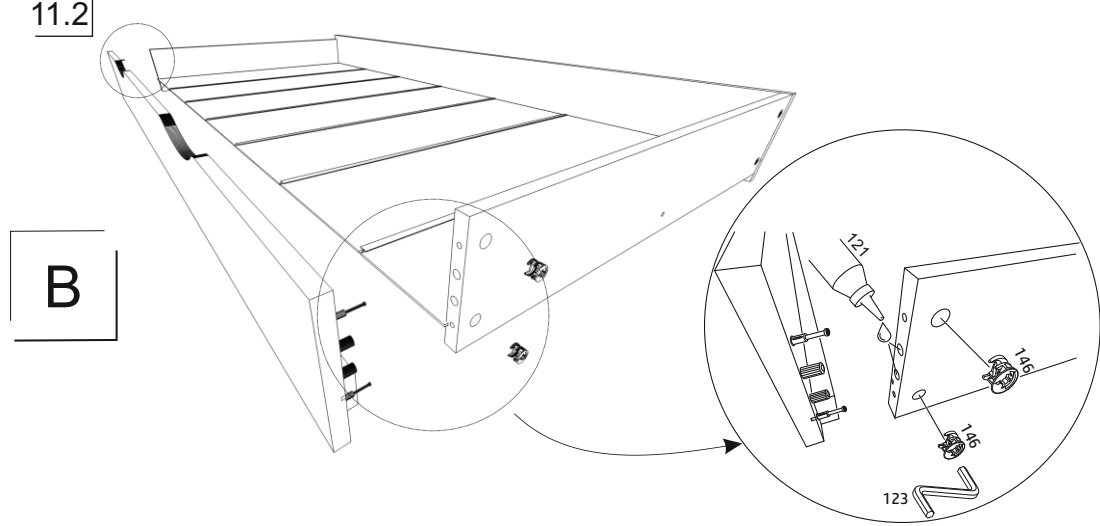


11

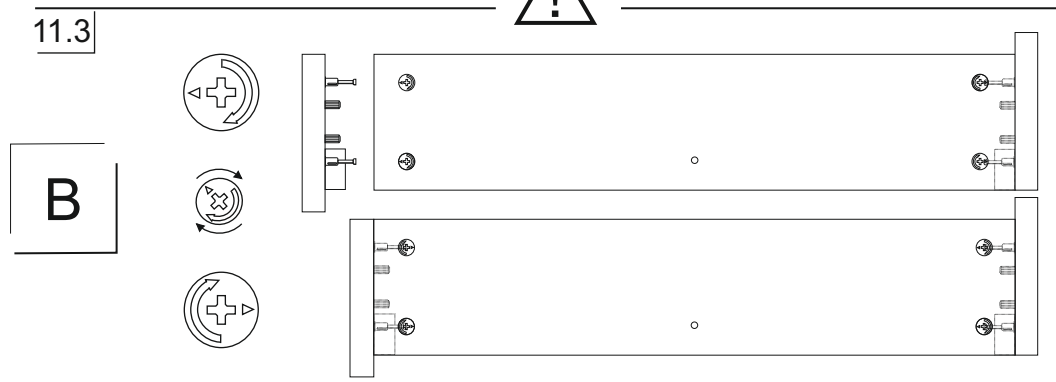
11.1



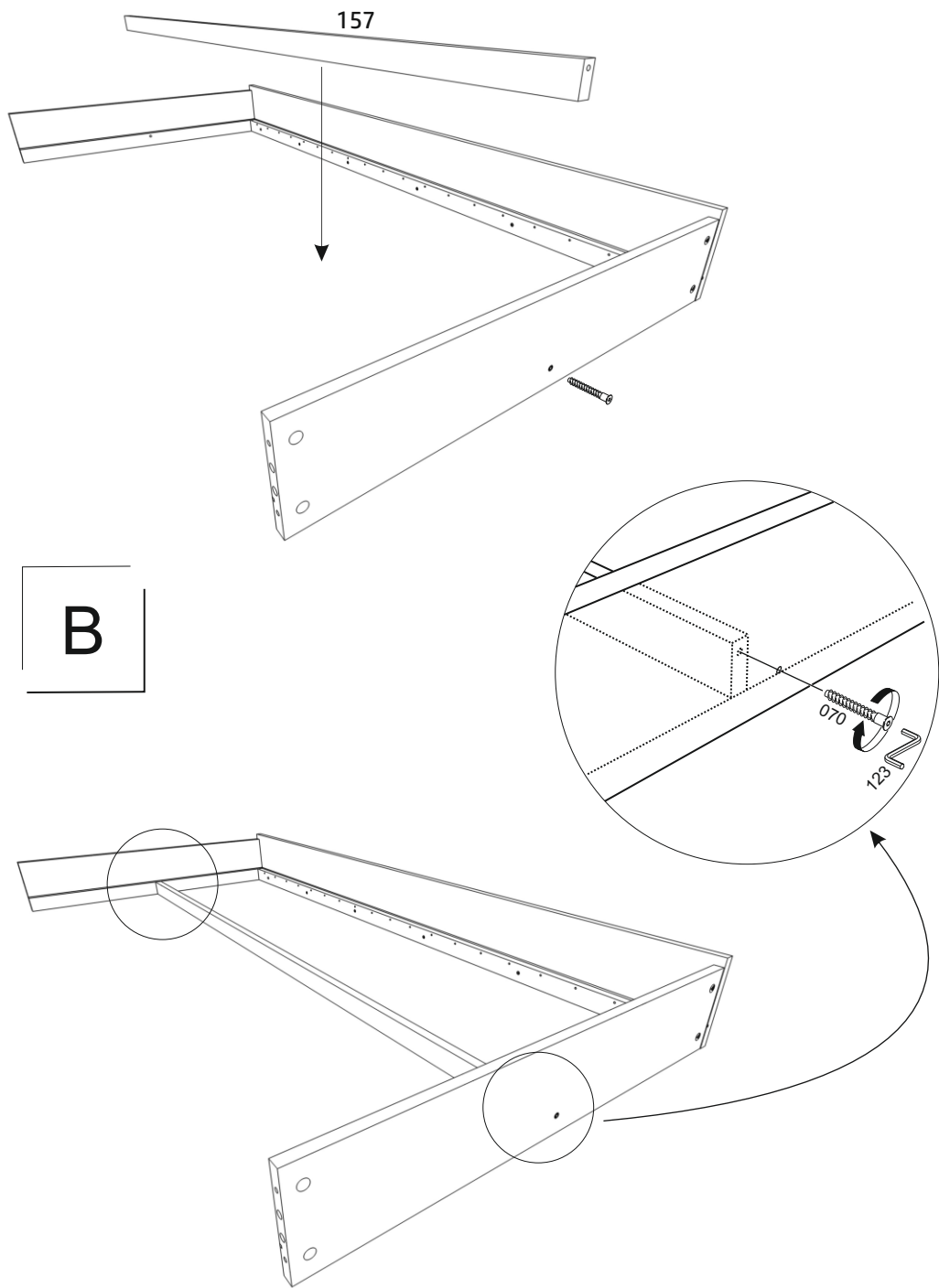
11.2



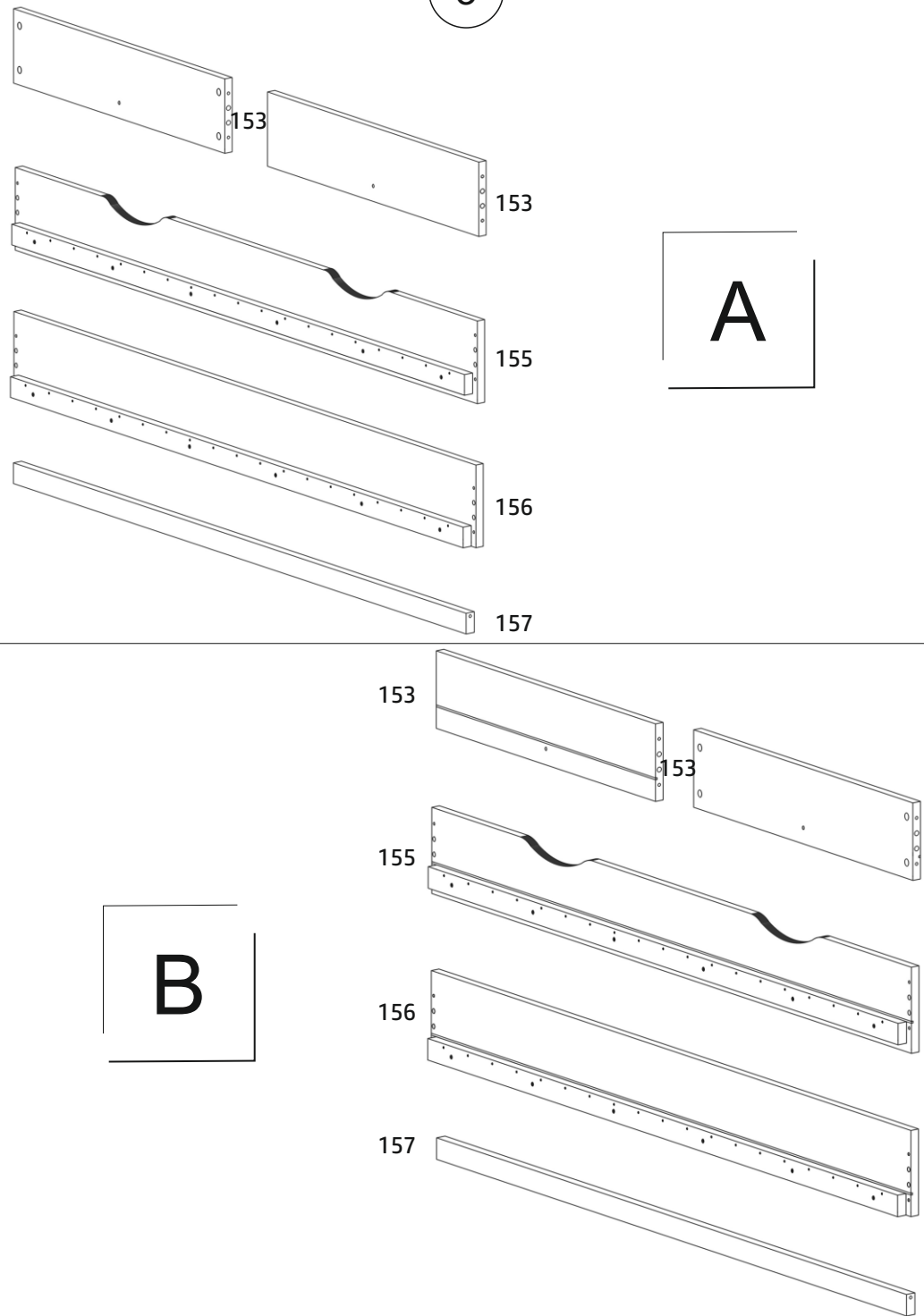
11.3



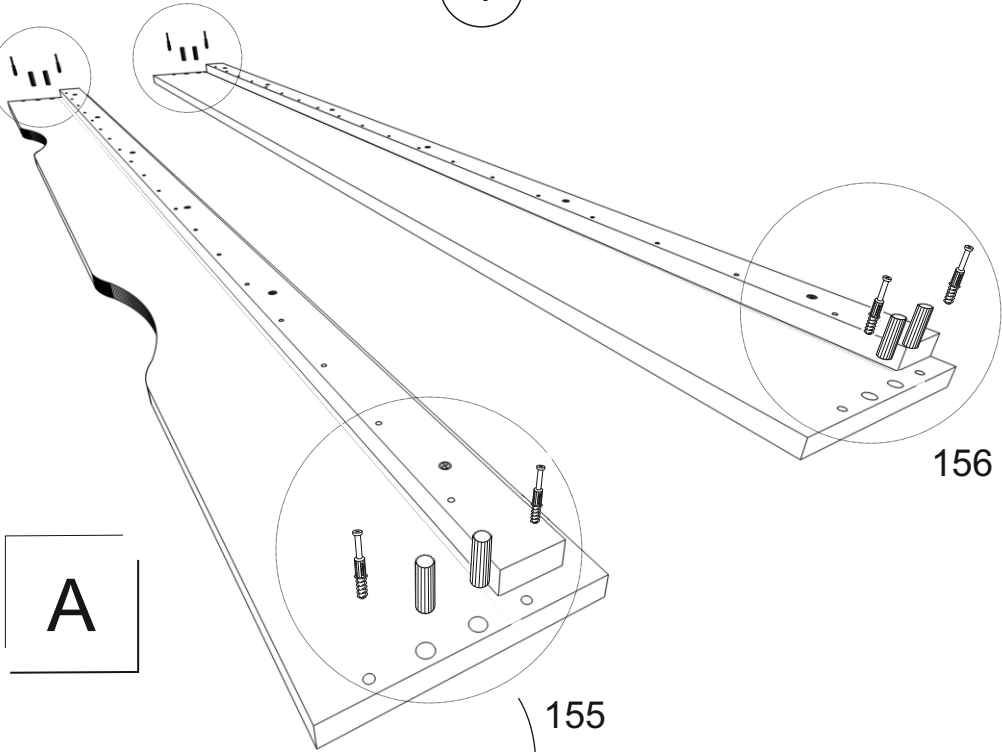
10



3



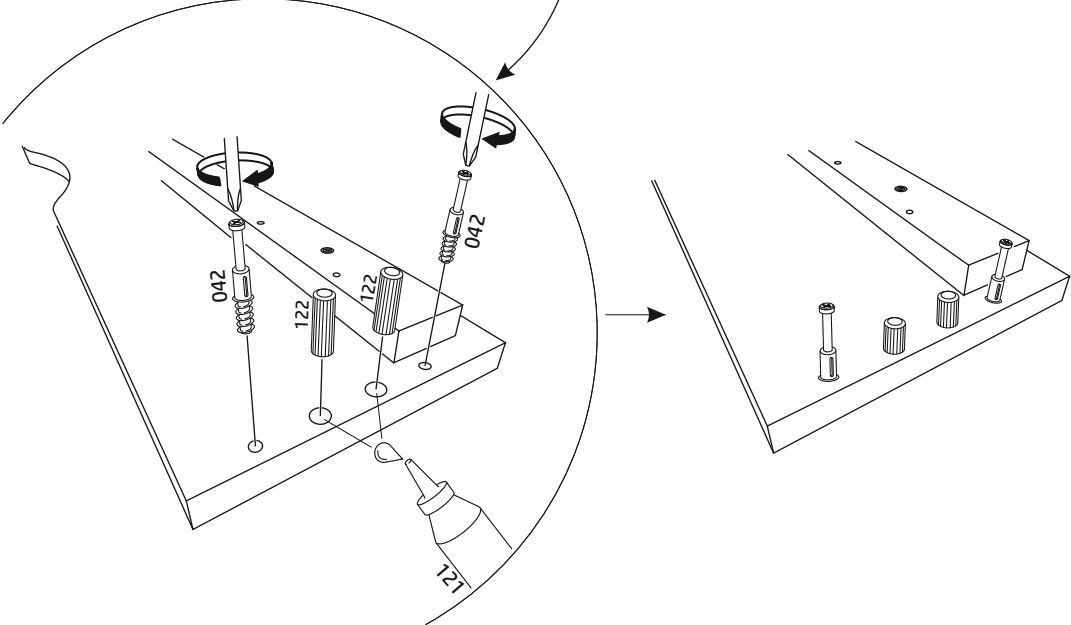
4



A

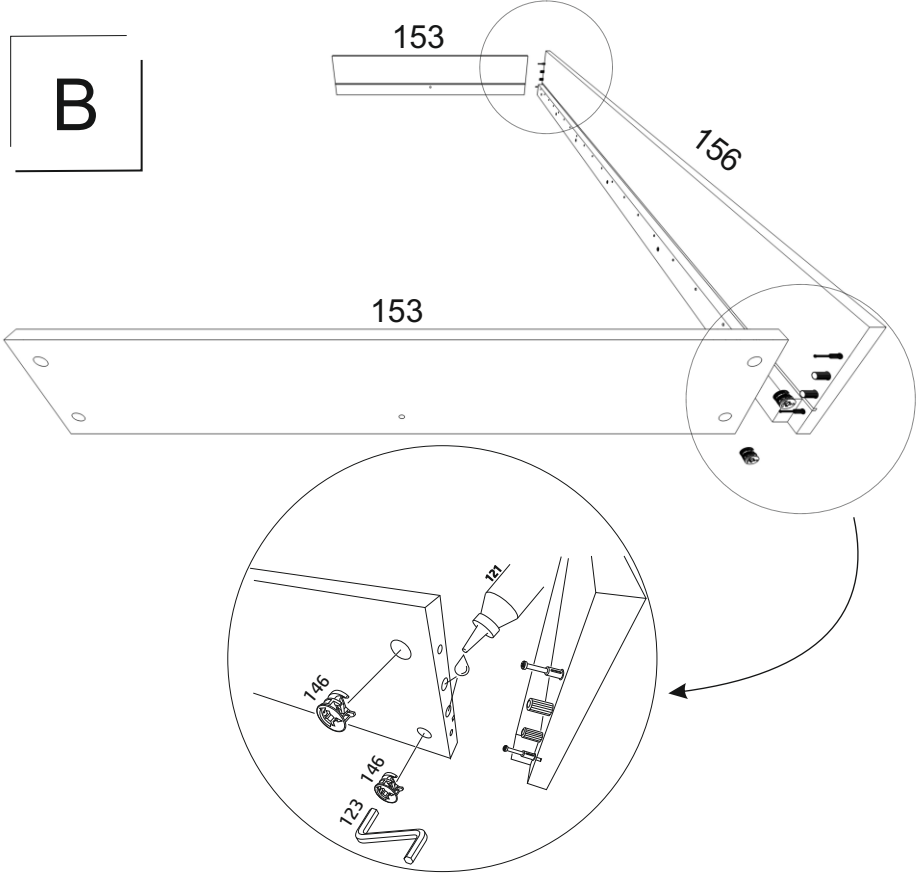
155

156



9

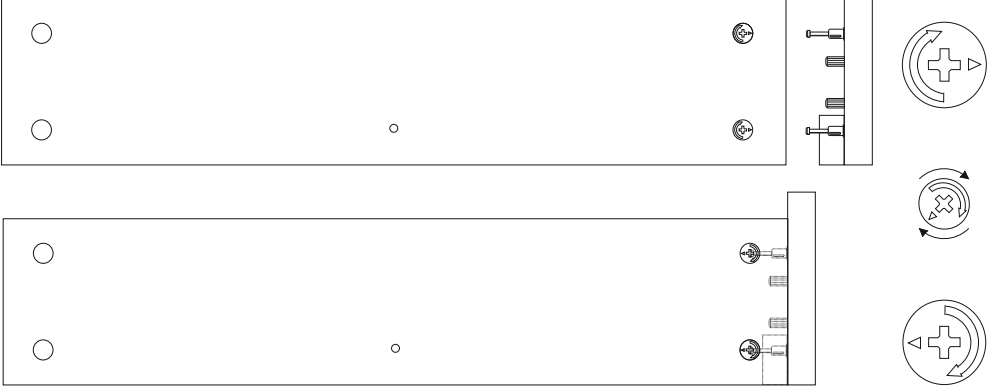
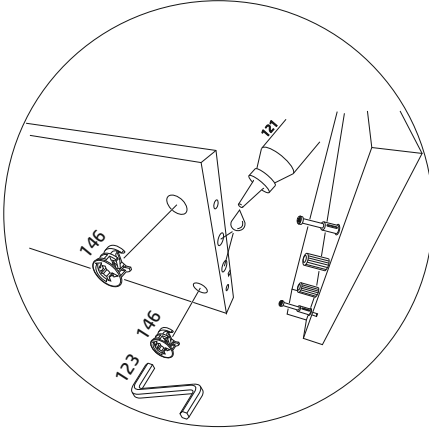
B



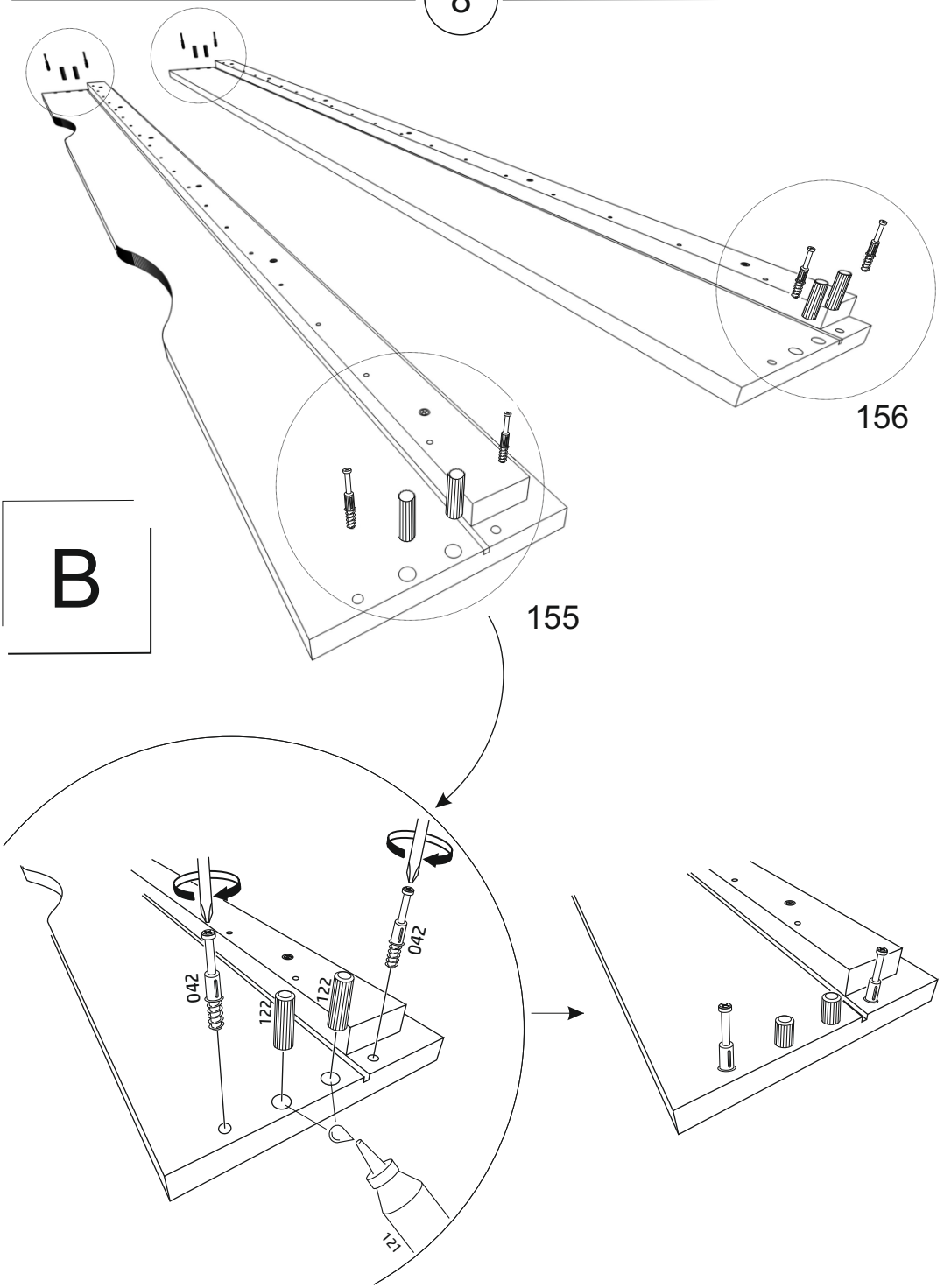
153

156

153



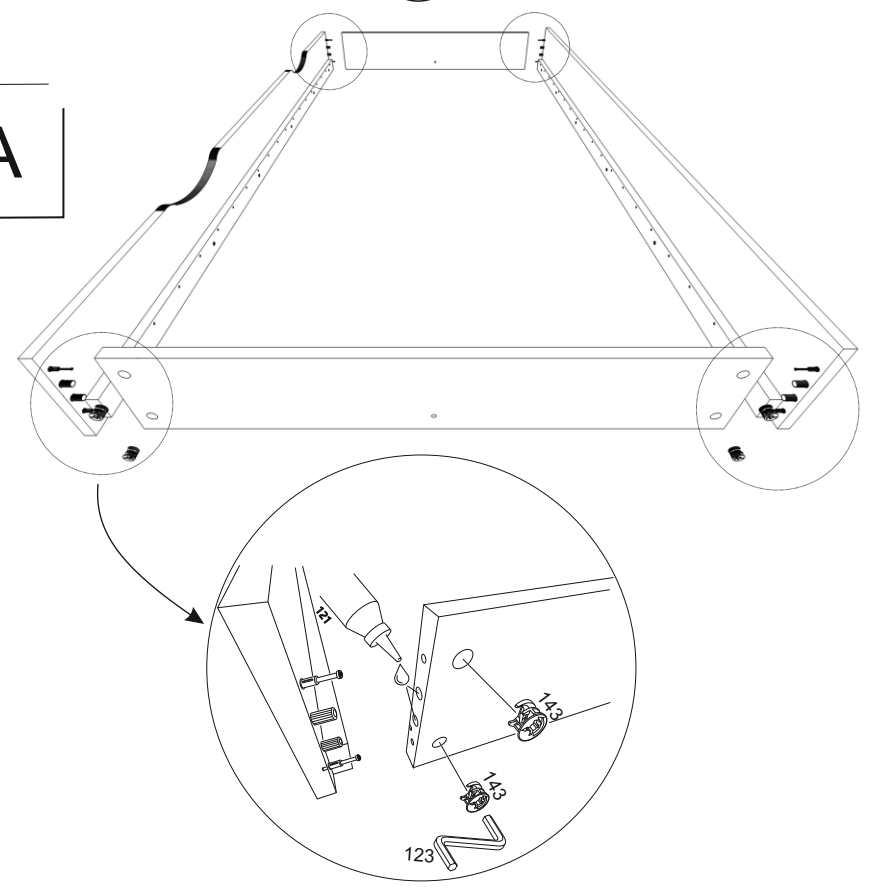
8



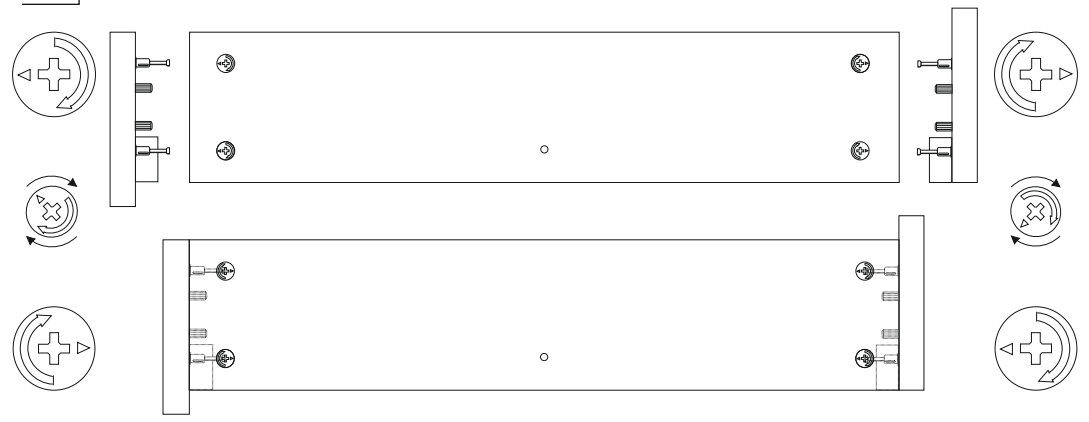
5

5.1

A

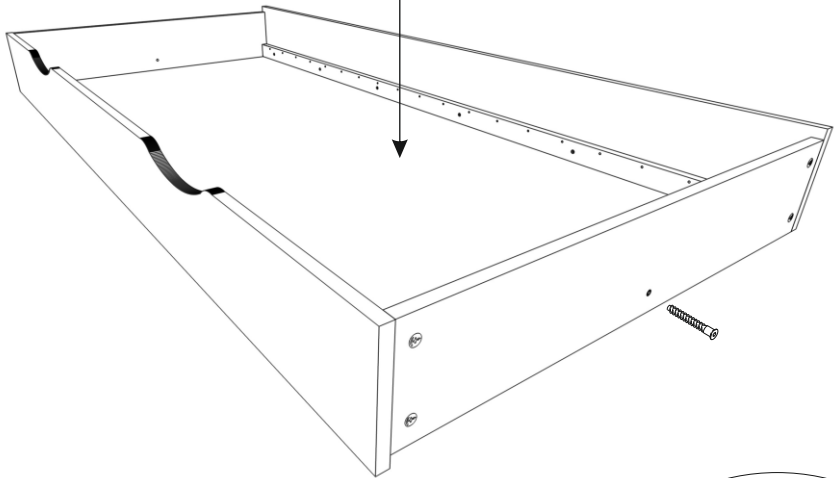


5.2

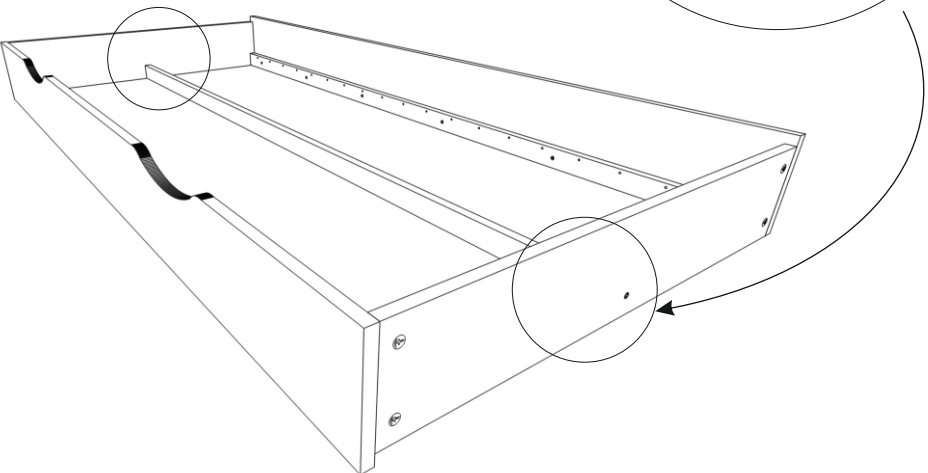
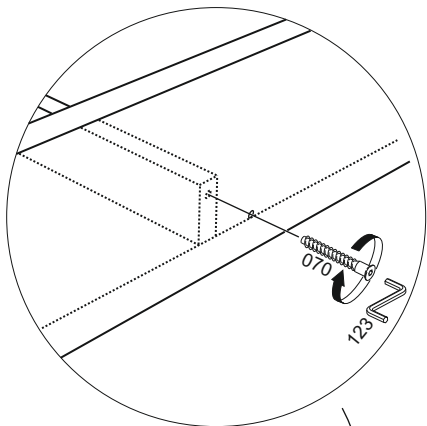


6

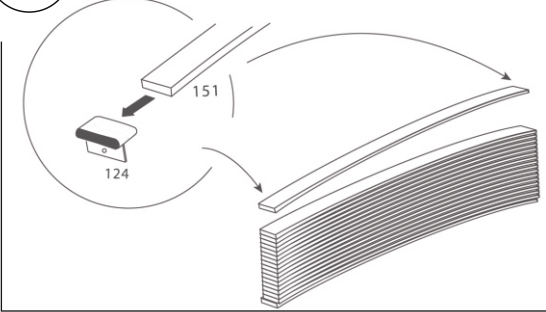
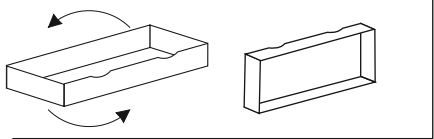
157



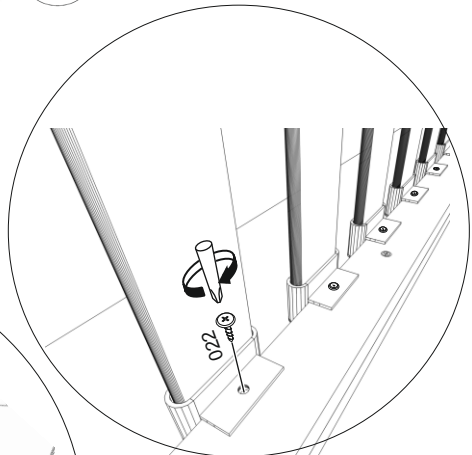
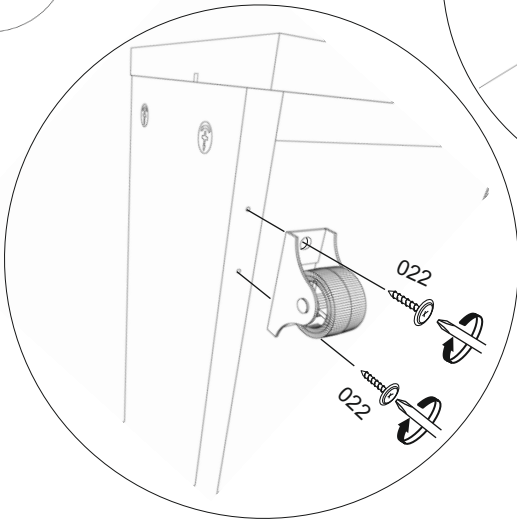
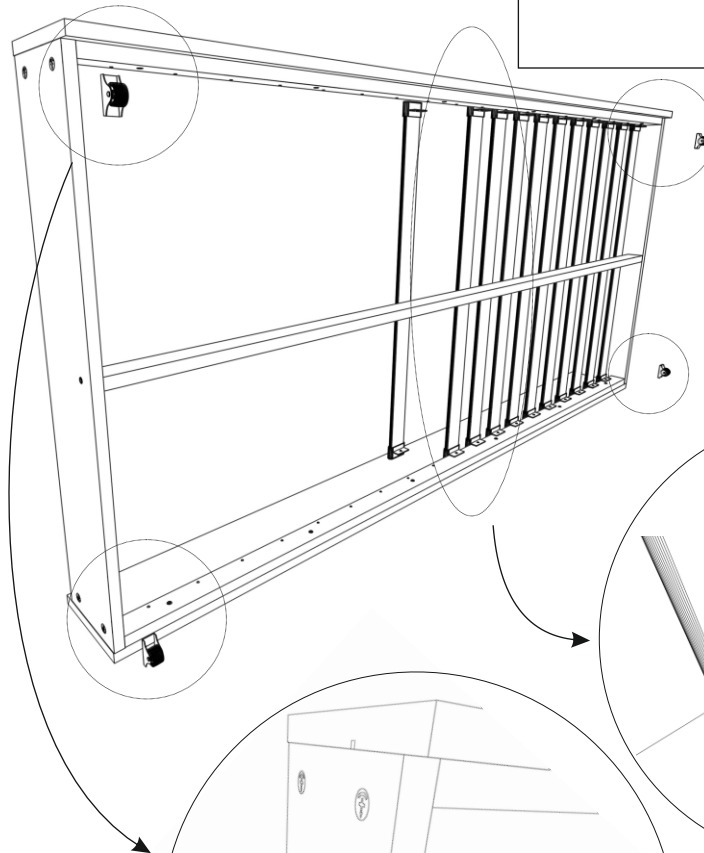
A



7



A



Assembly Manual **PETIT PUK**



Yeaah, great job!!

We hope you are happy with the results too! Don't forget to share a photo with us, it makes us incredibly happy to see the results in our mailbox or on instagram with #petitpuk

Please remember this:

- ♥ Use only mattress with thickness is 8-14 cm height.
- ♥ Beds are for sleeping, not for jumping
- ♥ Prohibit more than one person on the bunkbed.
Do not hang on construction components.
- ♥ Wooden and plastic parts should be cleaned with a dry cloth and ordinary, mild care and cleaning of raw wood
- ♥ Bed parts have a warrantee for 2 years under normal use.
If necessary, contact **PETIT PUK** indicating your name and order number, accompanied by photos's of the situation.

**PETIT
♥ PUK ♥**

www.petitpuk.com f [petitpuk](#)  [petitpuk](#)