






Assembly Manual for MIRABELLE

Congratulations on your new Petit Puk bed! Get ready to transform your kid's sleeping space into a fortress of imagination, a castle of coziness, and a launchpad for their sweetest dreams! When you follow this step-by-step assembly, you'll breeze through the process.

Quick Checklist:

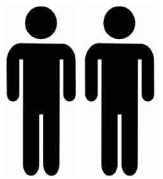
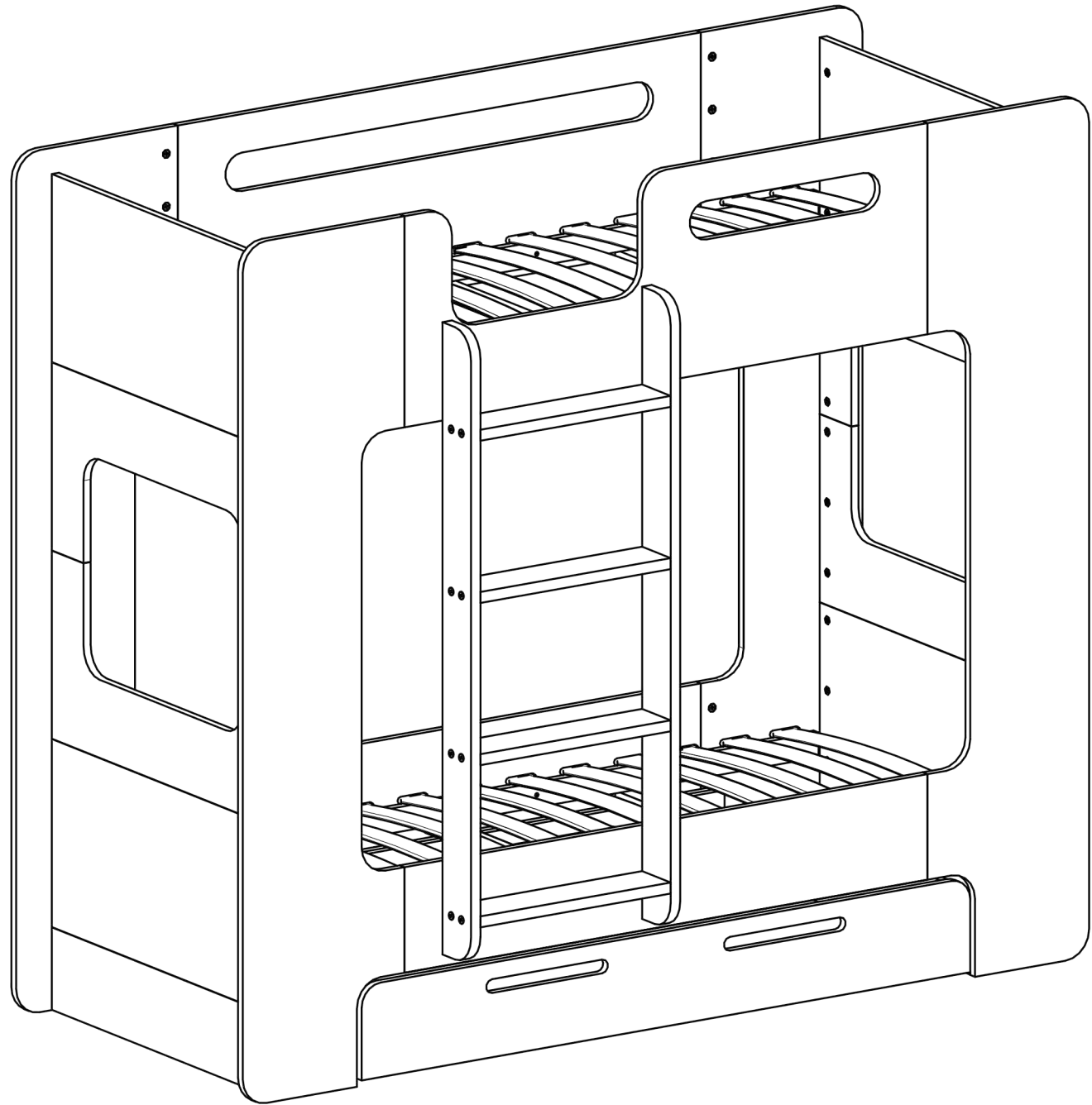
-  Is everything complete?
-  All pieces in good shape?
-  Do no start adding glue before you made sure all pieces are there and in perfect shape
-  Note! Applying glue to the bed base is **not** mandatory, as it could hinder the disassembly process later on. Let's keep things flexible for future adventures!
-  Ready to take a photo of your great work once completed and share with us?

Ticked all the boxes? Put on your superhero cape, and let's dive into the wonderful world of bed building.

Big wave,
Team Petit Puk

Questions? Reach out via customercare@petitpuk.com

Compliments? Tag us on instagram @petitpuk



Recommended
assembly by 2 person

PLEASE READ BEFORE ASSEMBLY:

- 1) Make sure there is free space for installation.
- 2) Before fully unpacking, please measure the elements whether they match the order.
- 3) After unpacking the elements from the cartons please check the completeness of the whole set with the assembly instruction. - If you check and find that something is missing - let us know, we will check the packaging and when it is necessary we will send the missing parts.
- 4) Think about whether you will need help with the assembly, if you find it necessary, find a assistant. (We recommend two people to assemble the bunk beds).
- 5) We recommend installing wooden pins on a hard flat surface (you can use the cardboard from the packaging).
- 6) When using a hammer to hammer in the woodpins, remember not to use too much force, and the element should be placed on a flat hard surface.
- 7) Use glue for wooden dowels and dowel holes

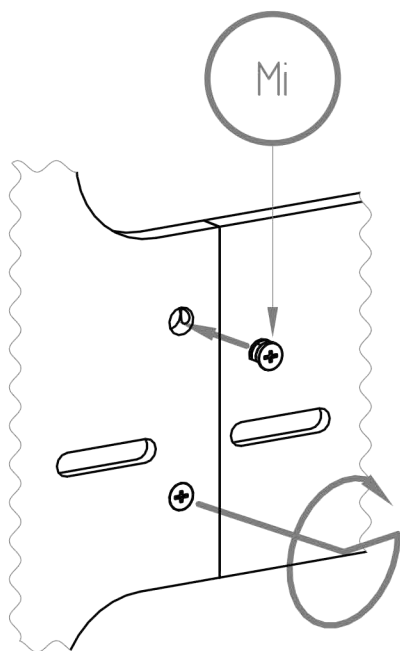
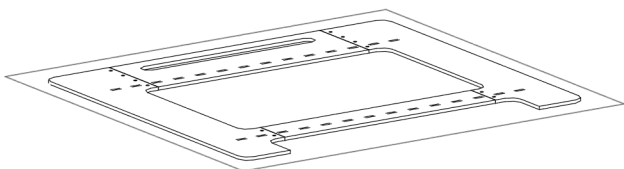
REMEMBER!

NEVER HAMMER THE WOODPINS TO THE PARTS IN THE AIR



Recommendation

Assembly on the floor



4



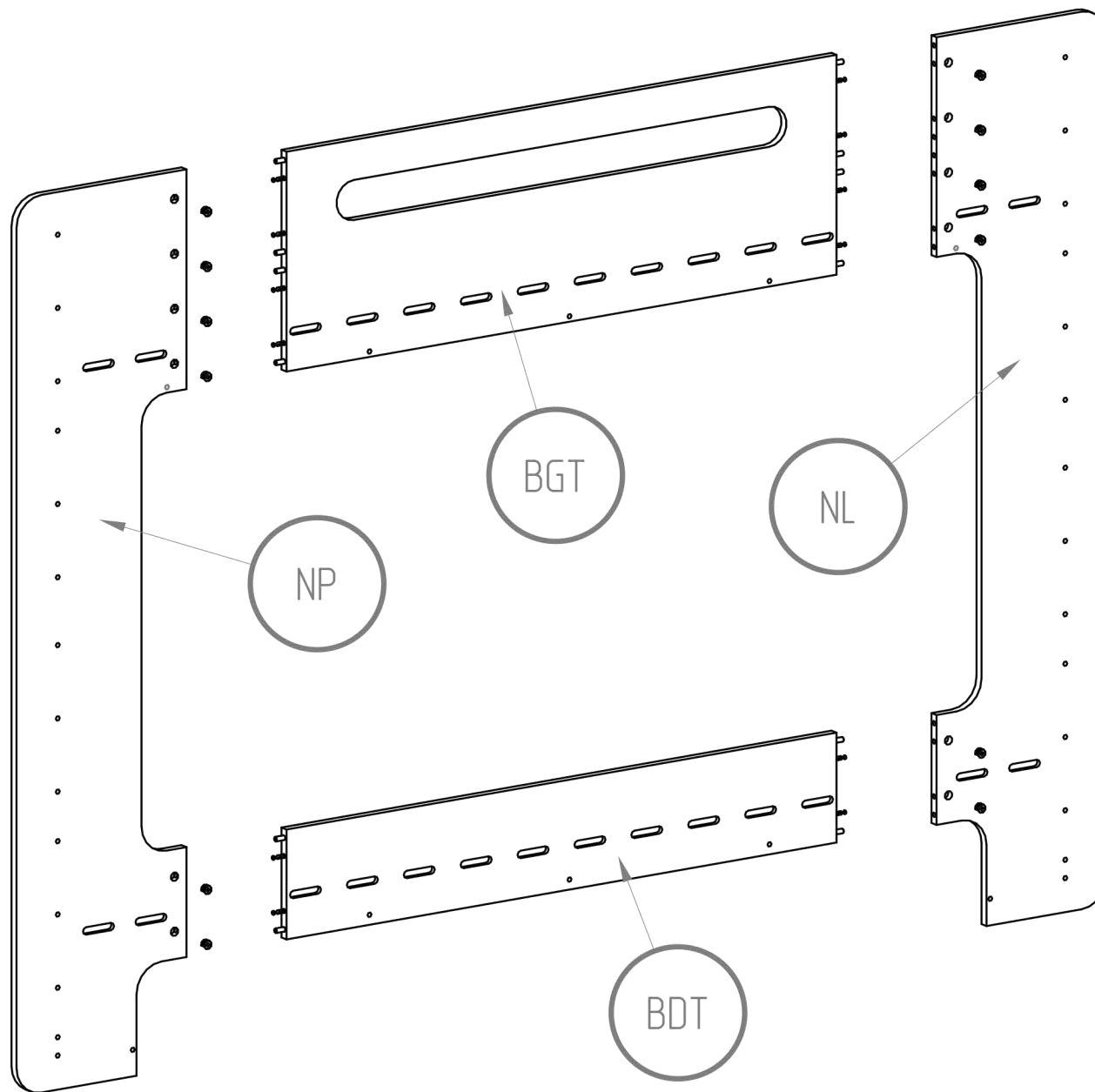
The same situation for element

BGP

BDP

NP

NL





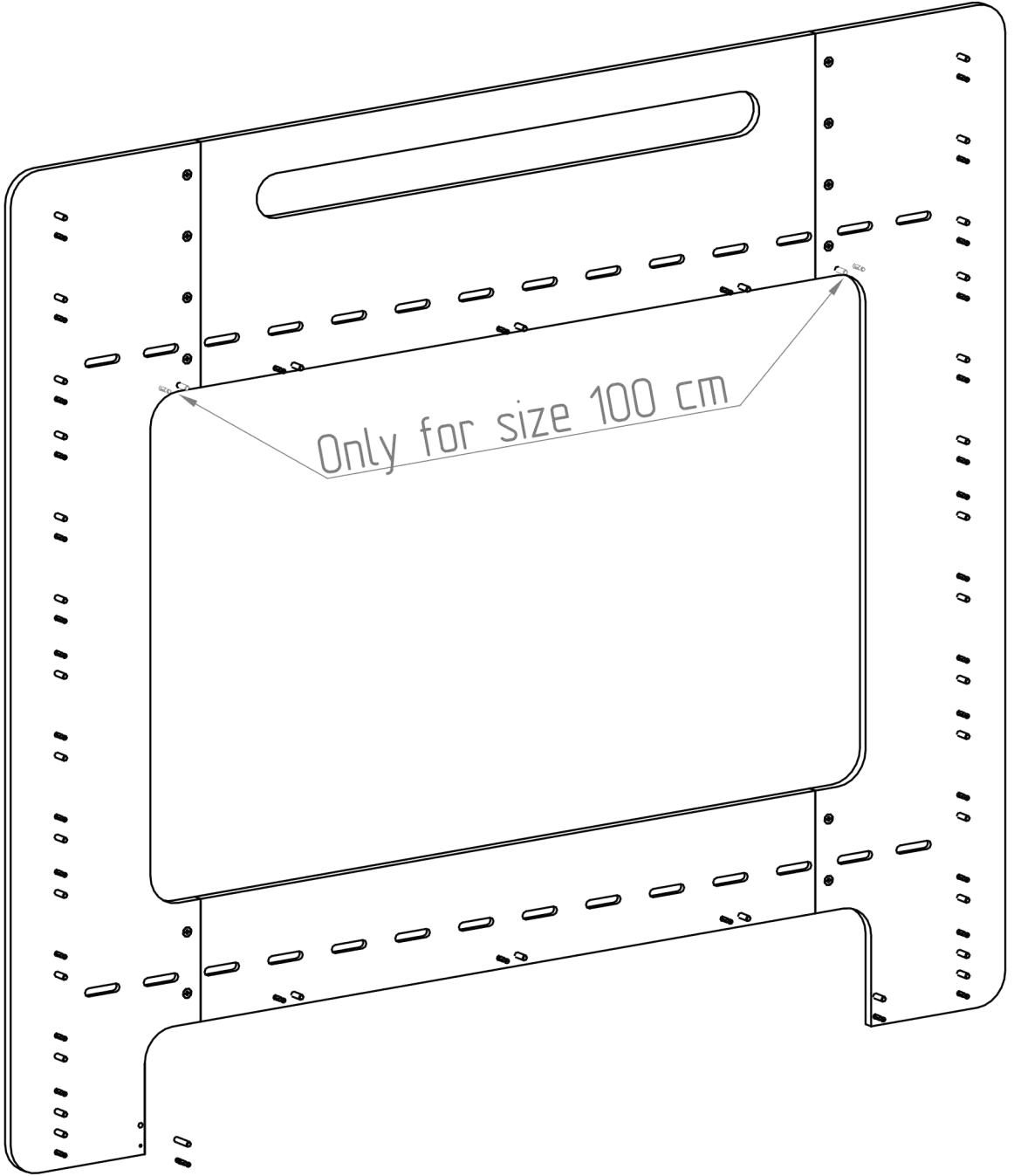
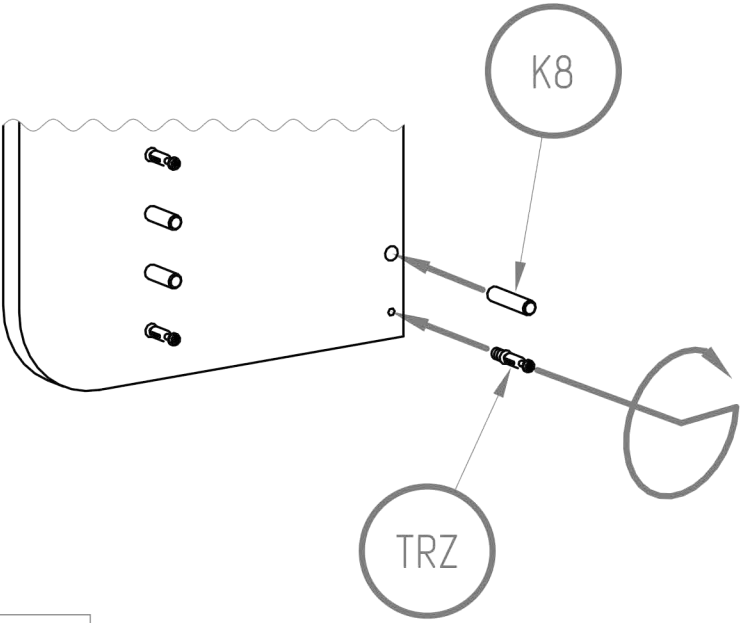
K8

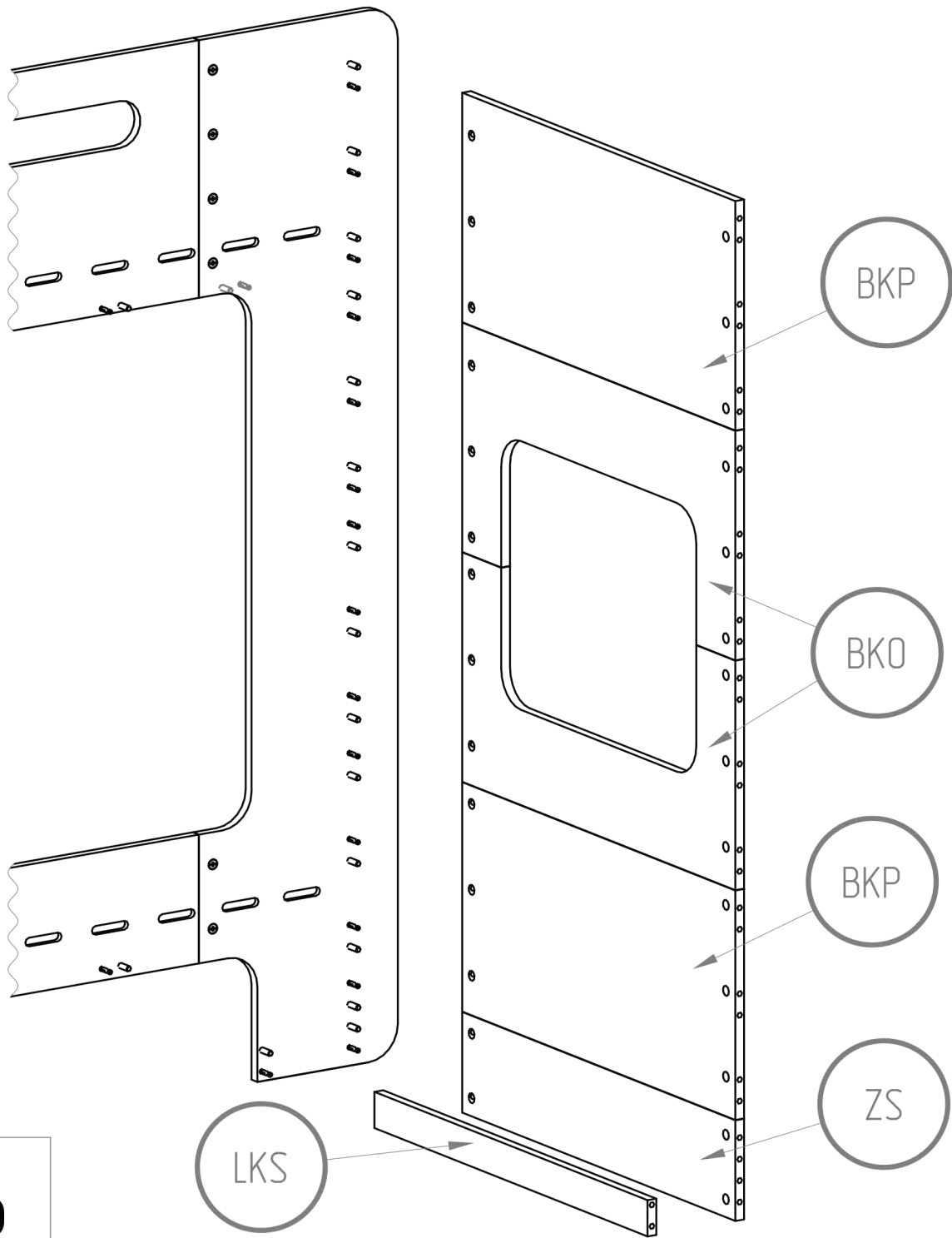
M8x35



TRZ

M5x35

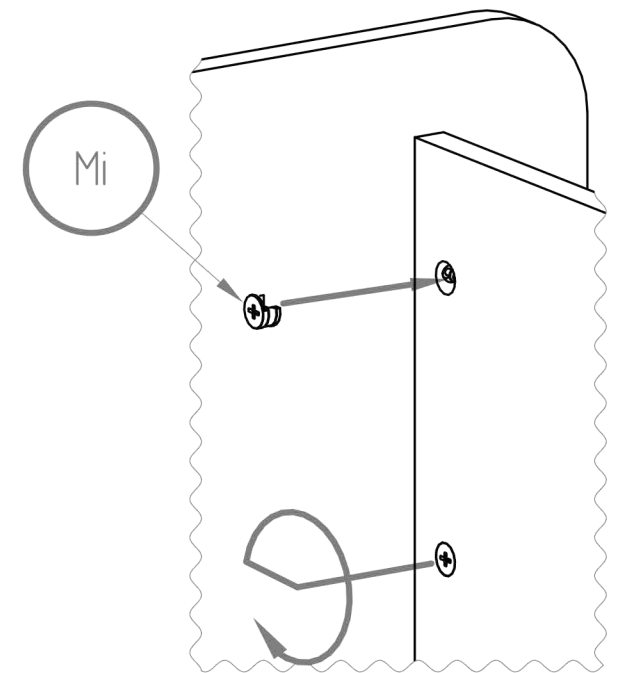
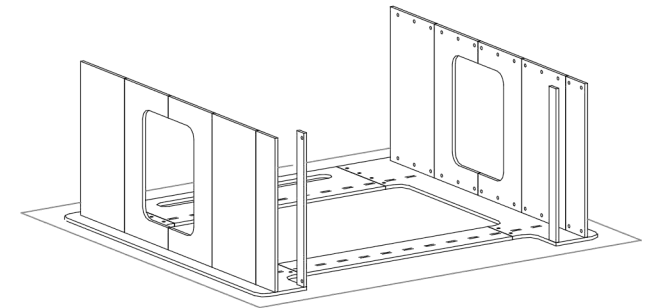


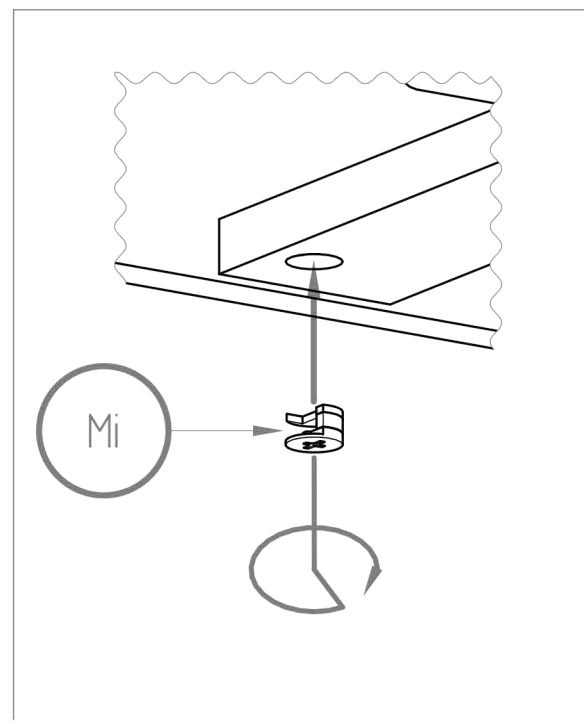
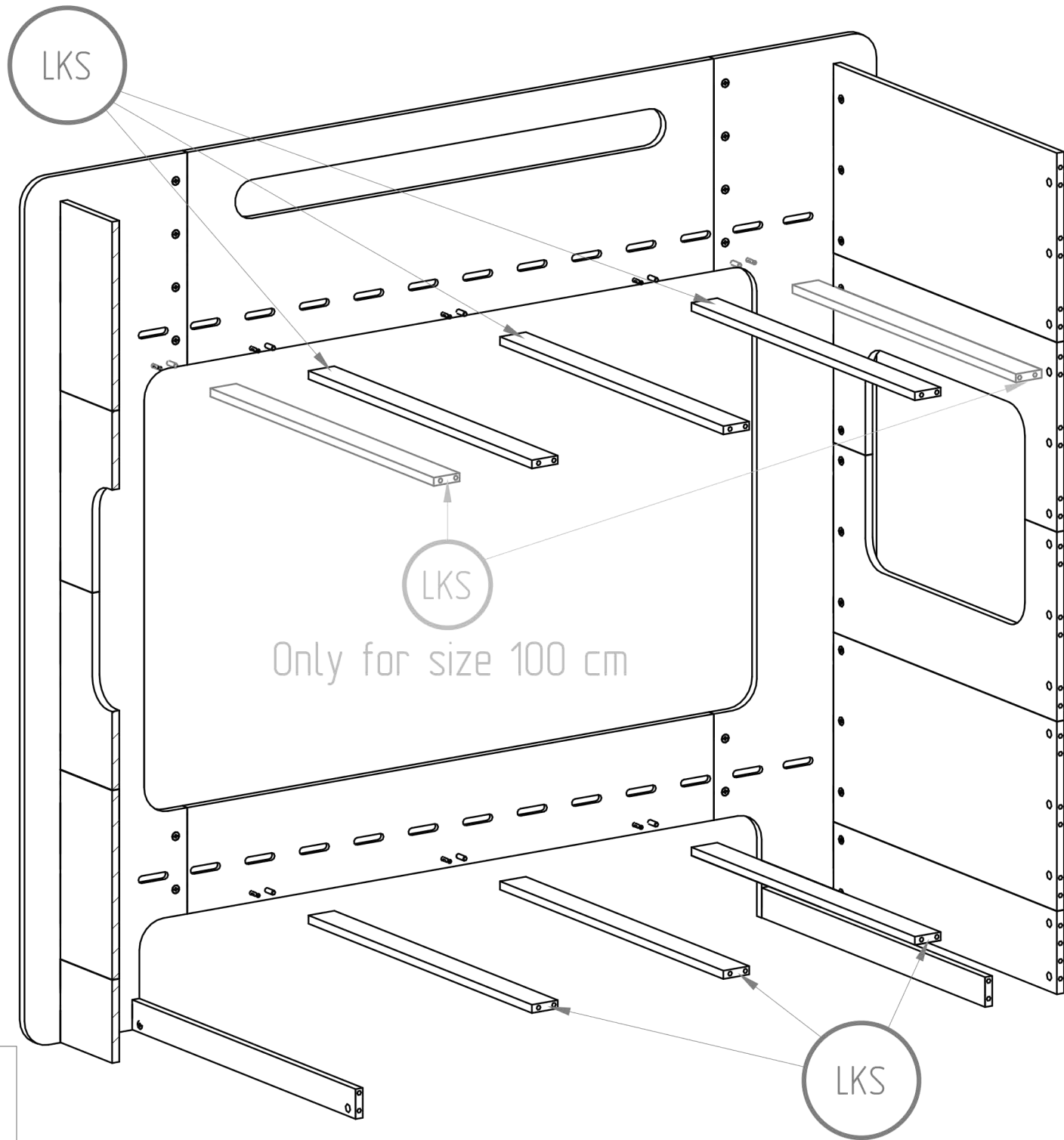


6



The same situation on the
other side

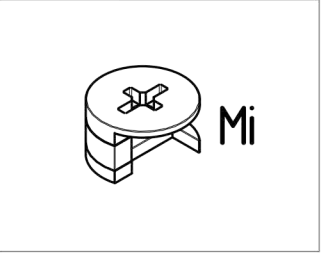
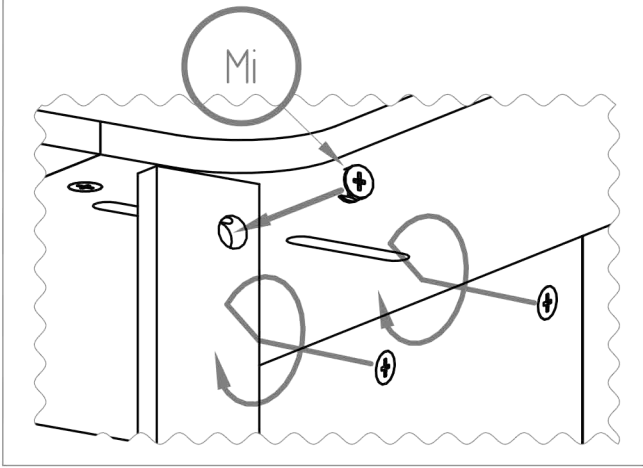
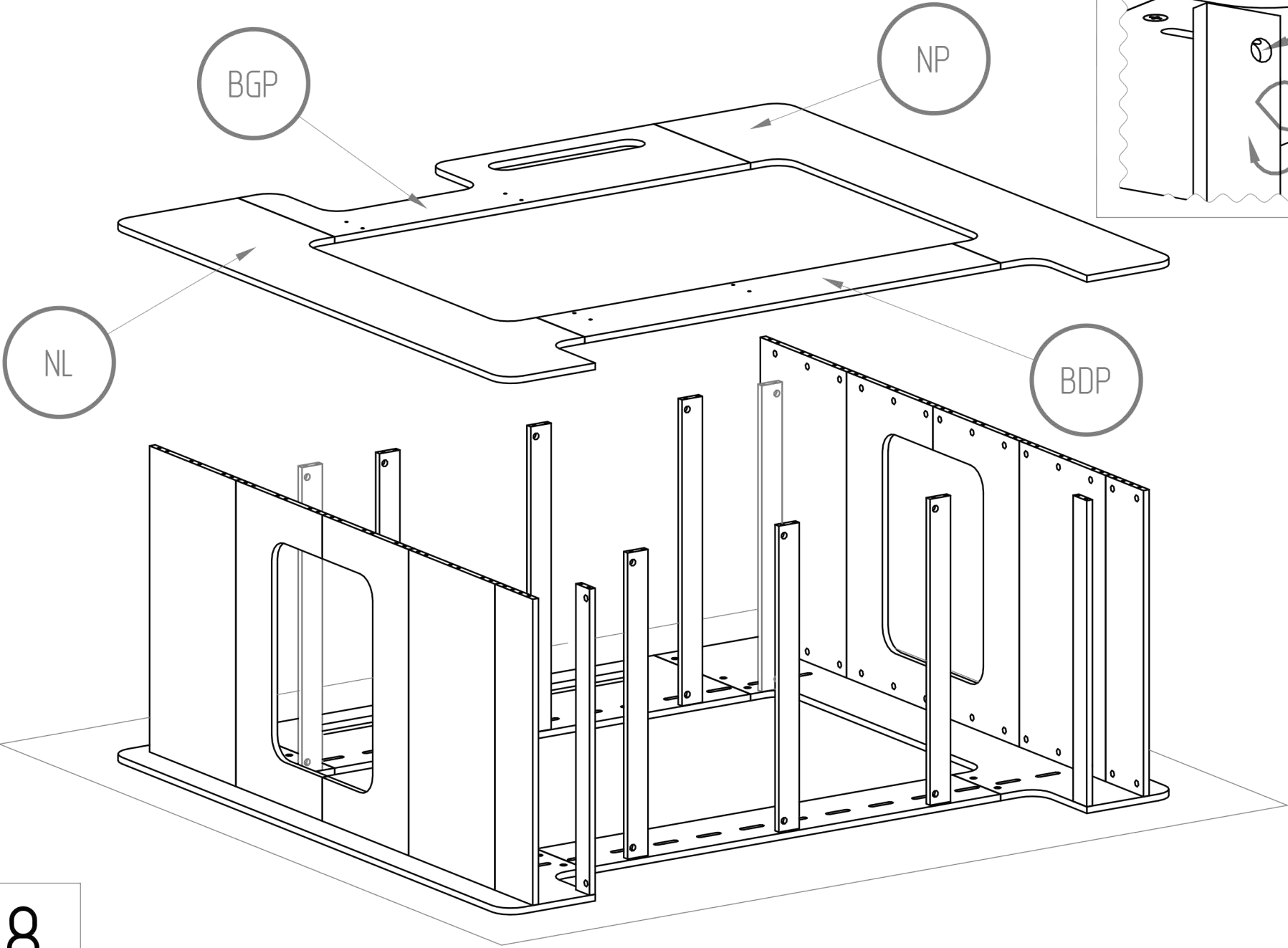


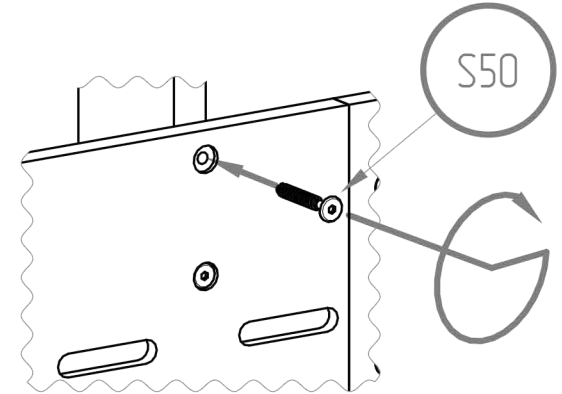
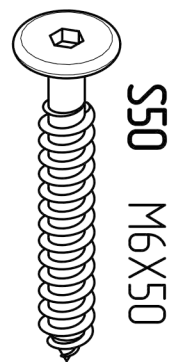
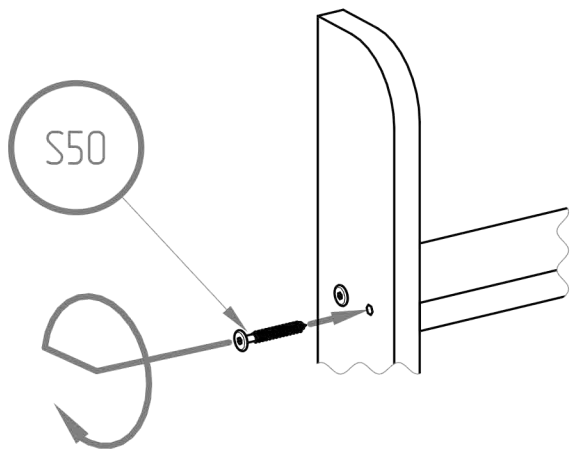
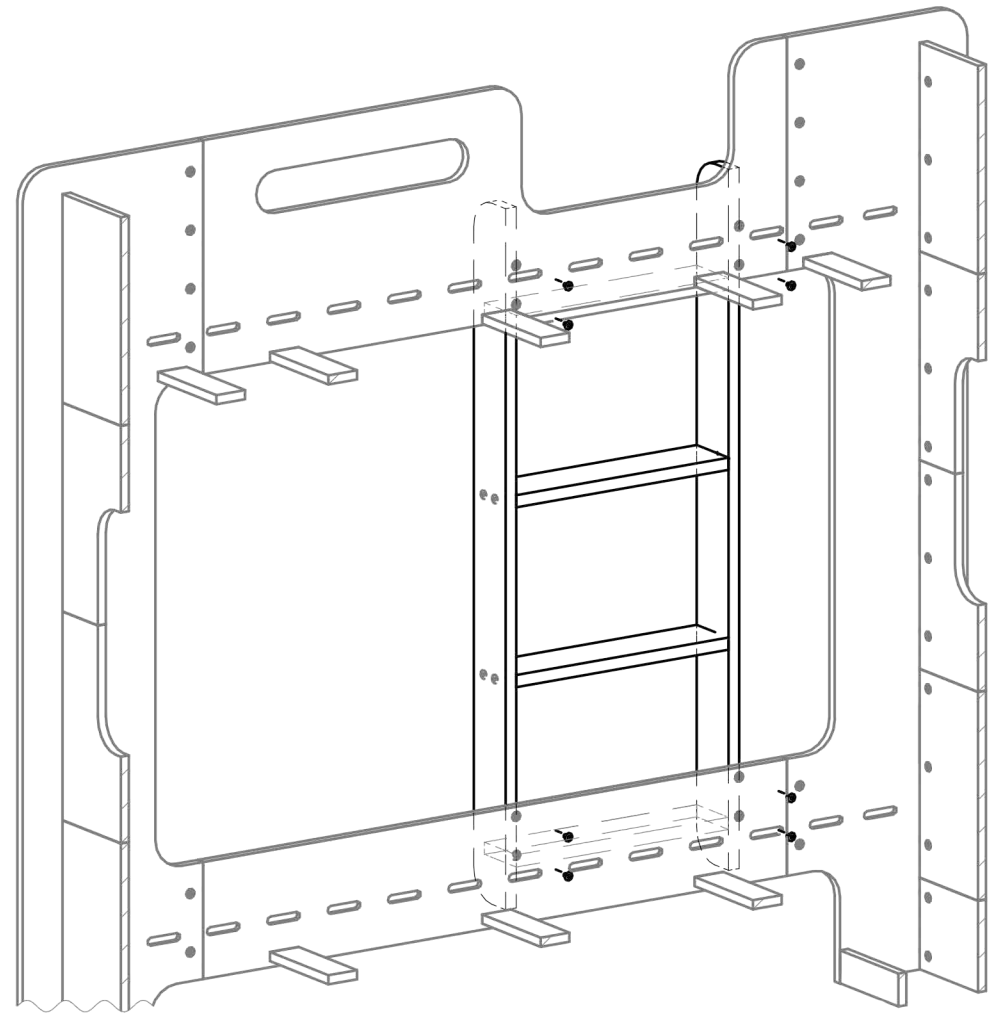
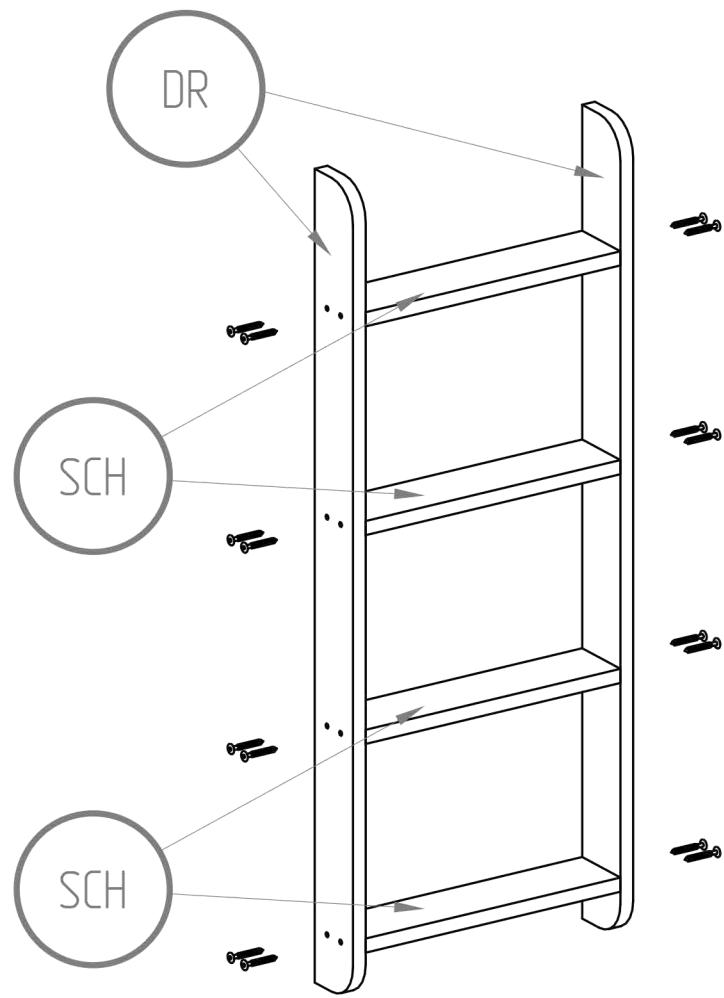


7

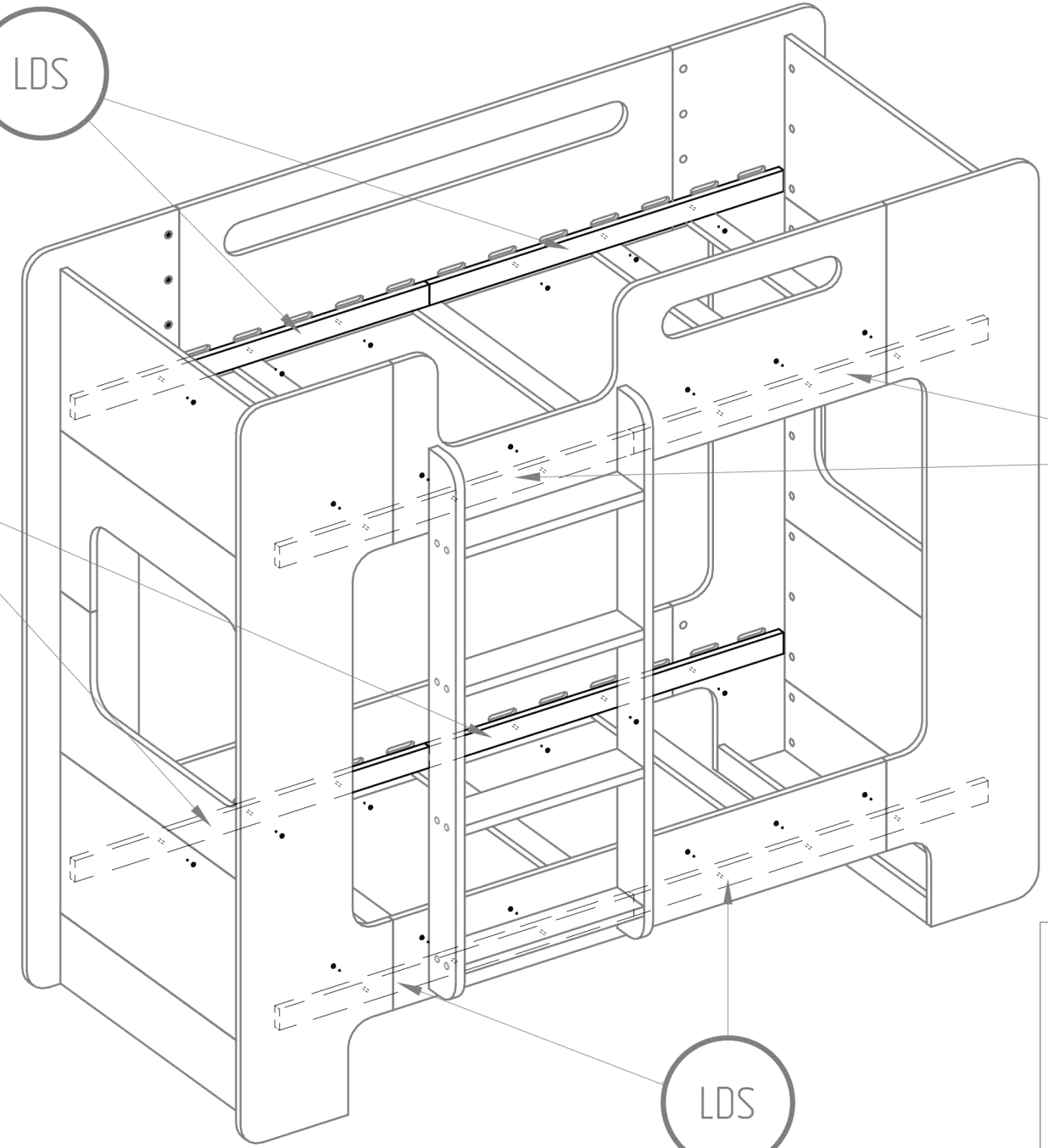


Before assembly, see pages 4 and 5





W25 M4X25

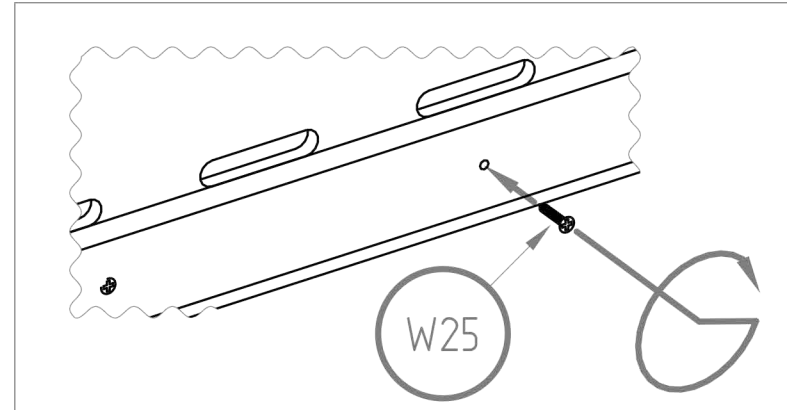


LDS

LDS

LDS

LDS

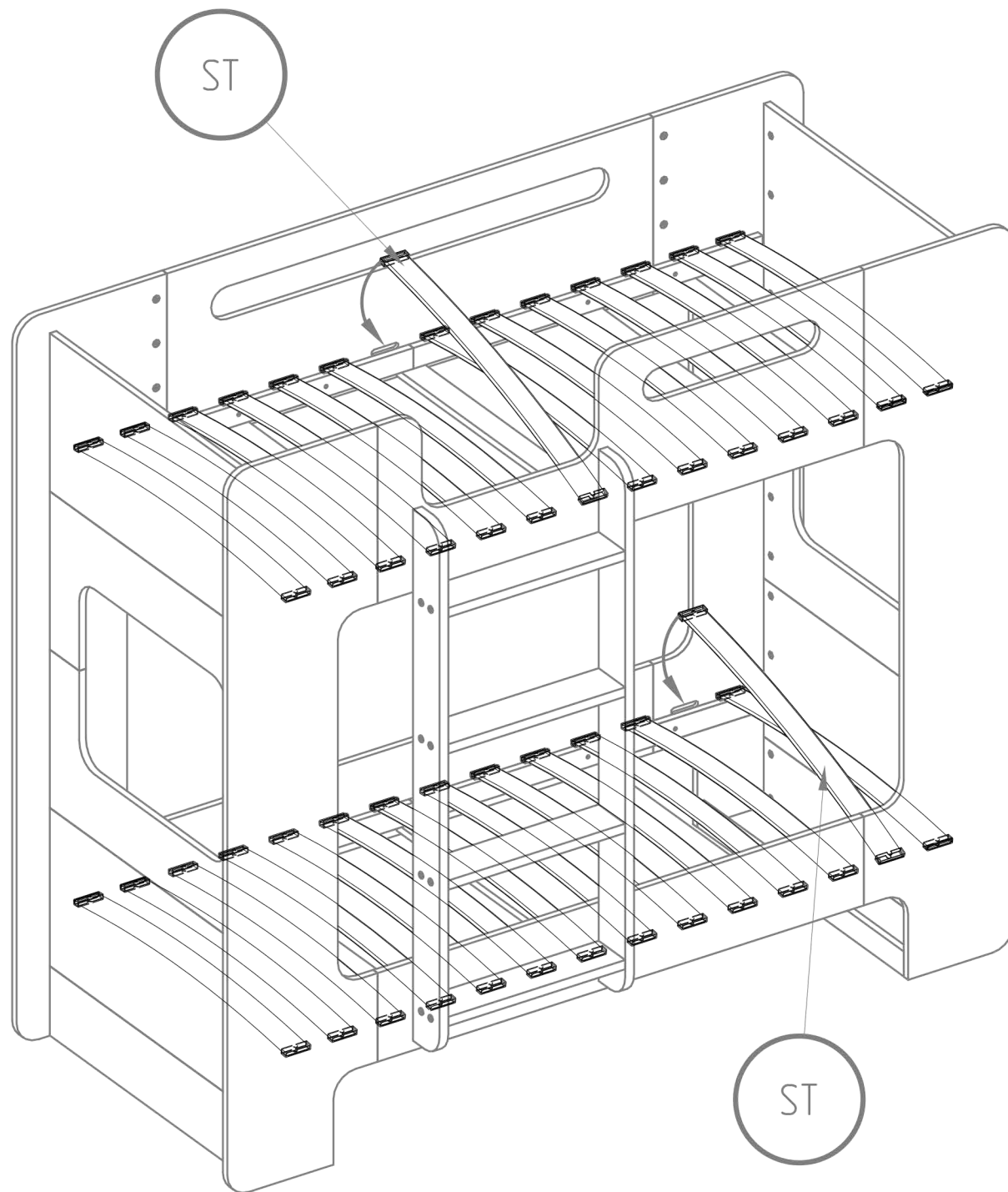
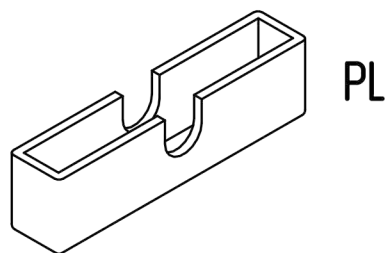
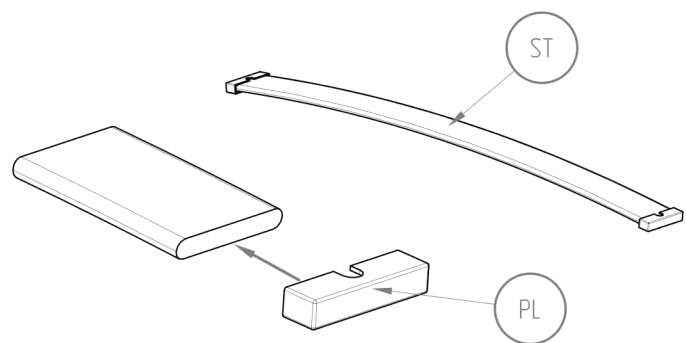


W25

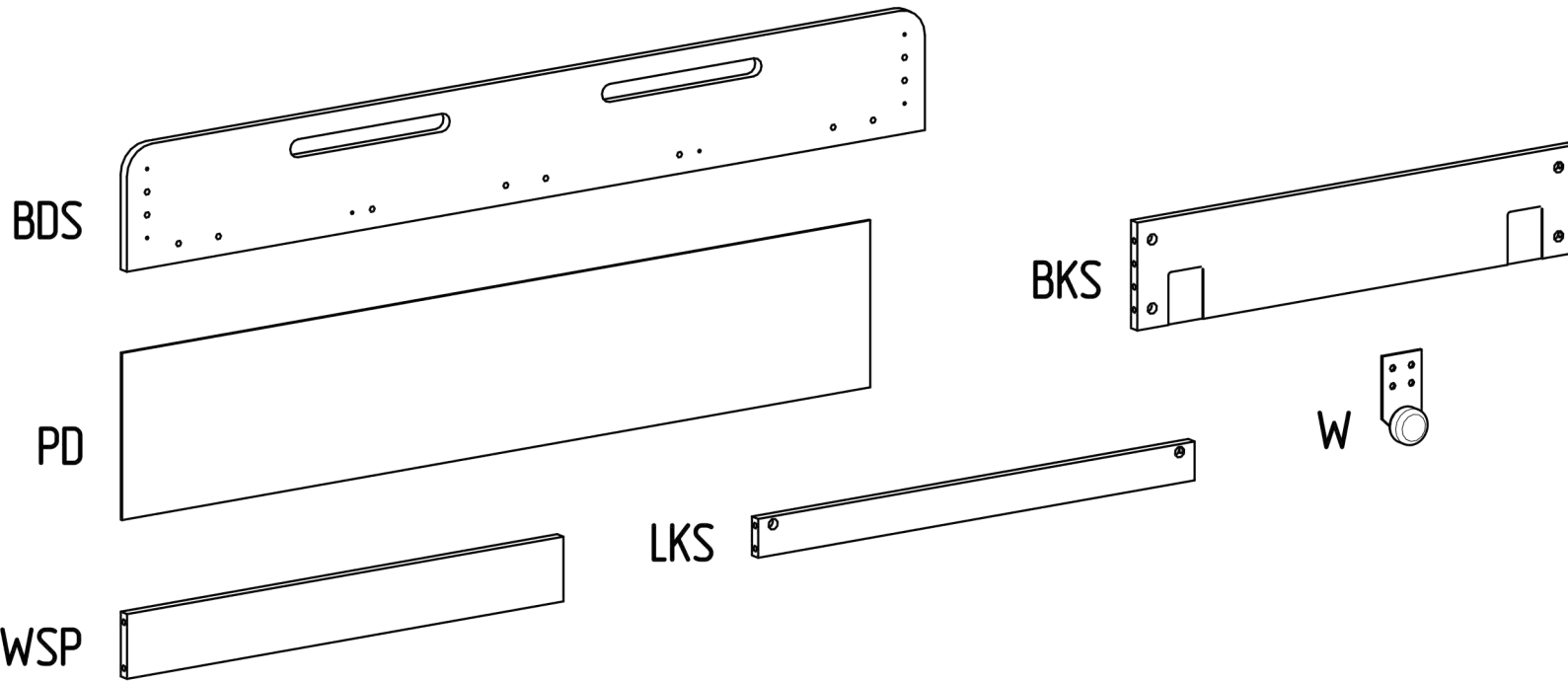
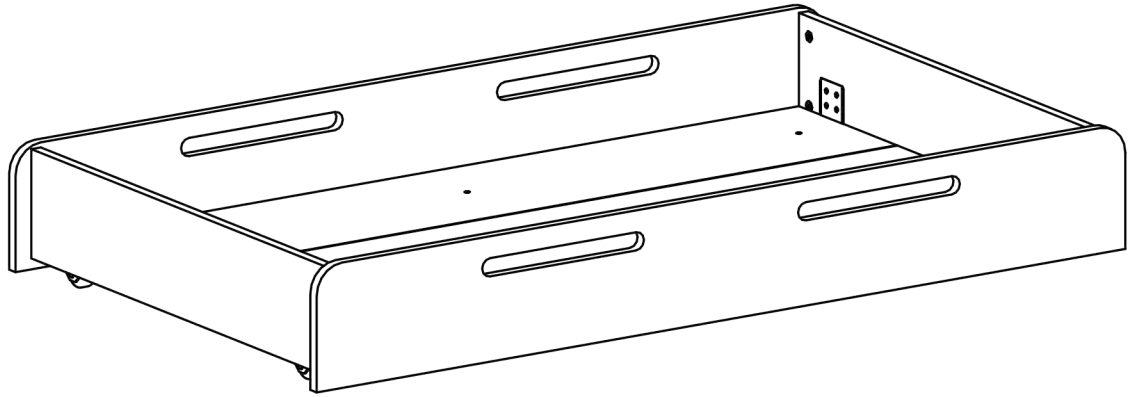
10

Important!

Install the plastic caps before assembling the ST spring slats to the bed frame.



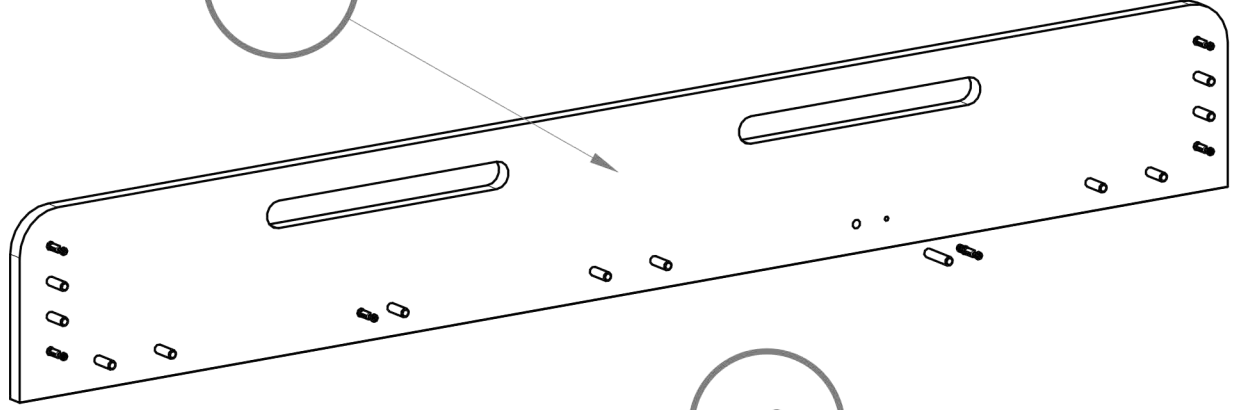
DRAWER



BDS	x2
BKS	x2
PD	x3
WSP	x3
LKS	x2
W	x4

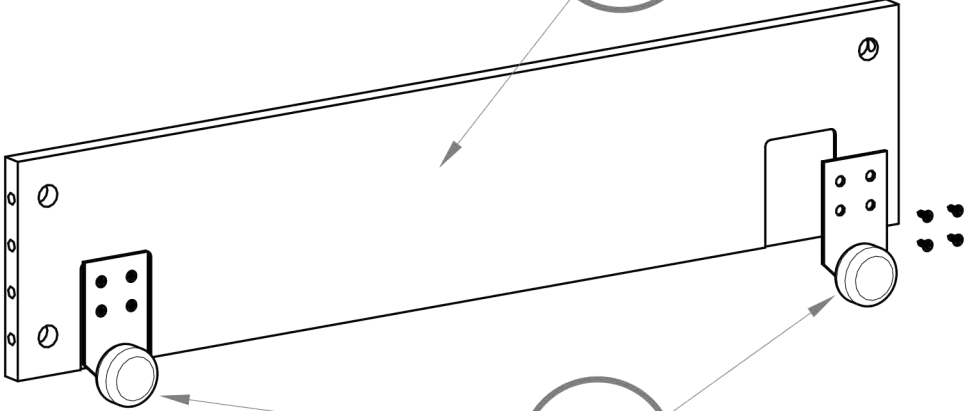
x2

BDS

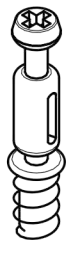


x2

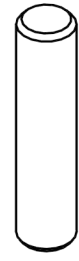
BKS



W



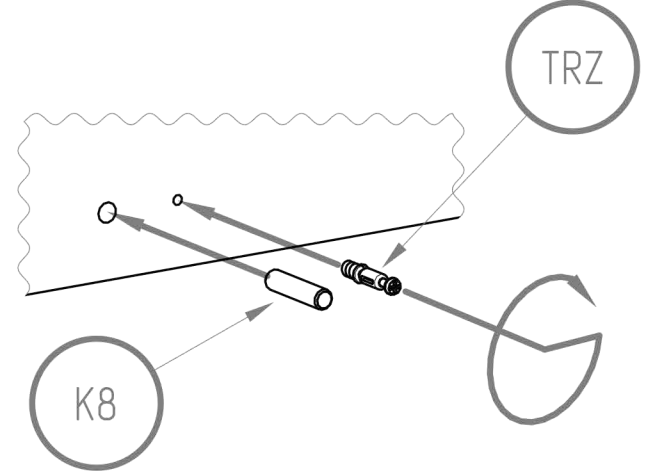
TRZ M5X35



K8 M8X35

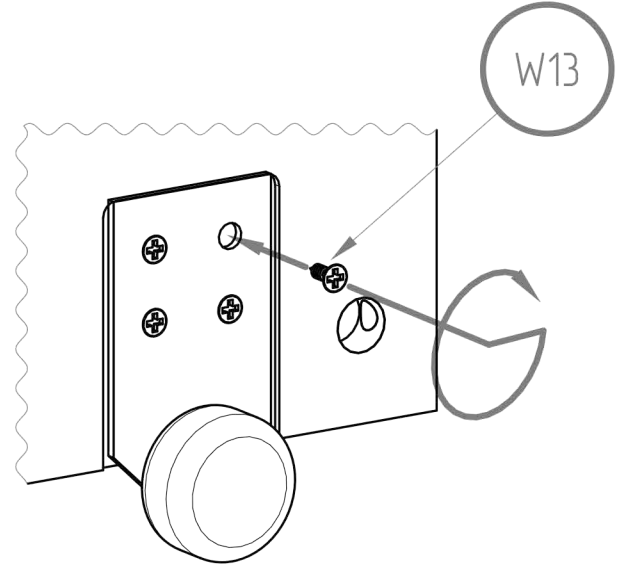


W13 M4X13

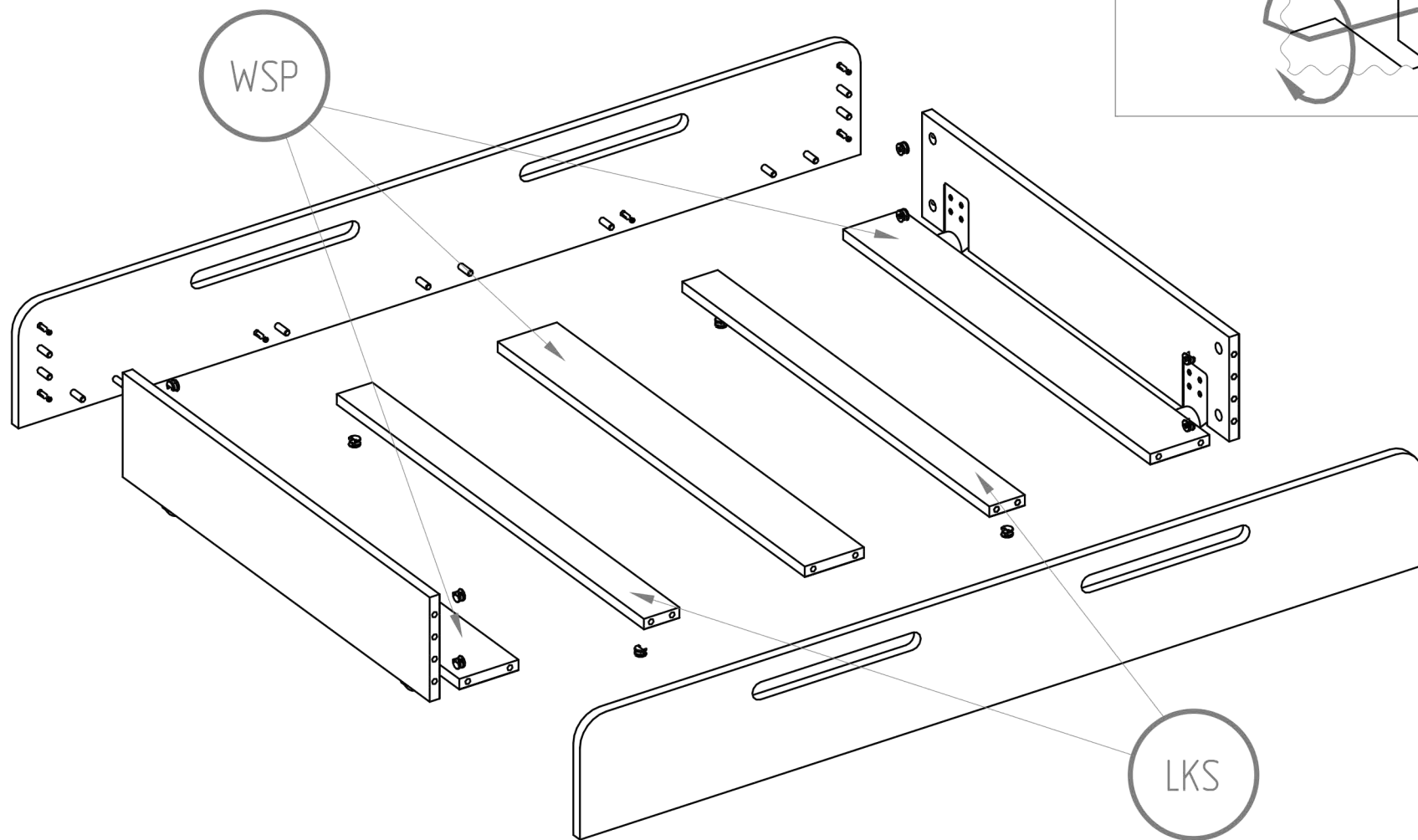
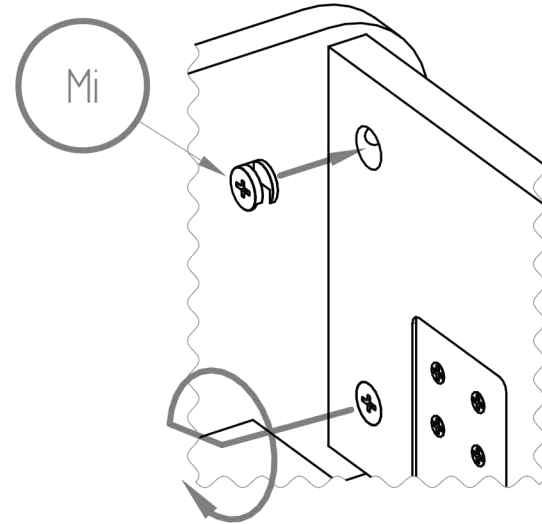
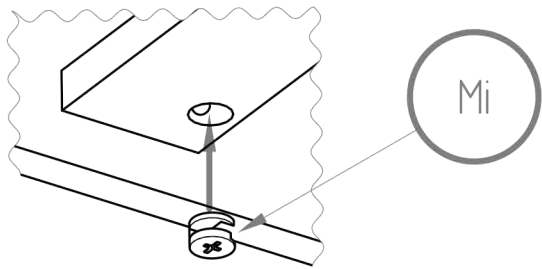


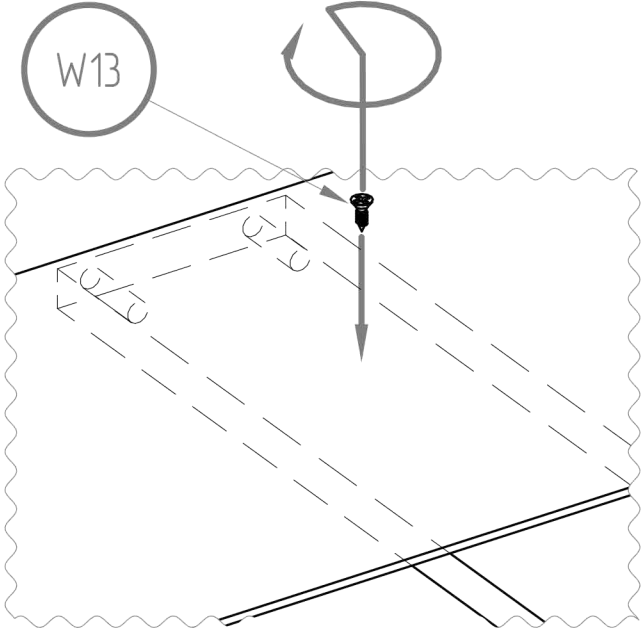
K8

TRZ

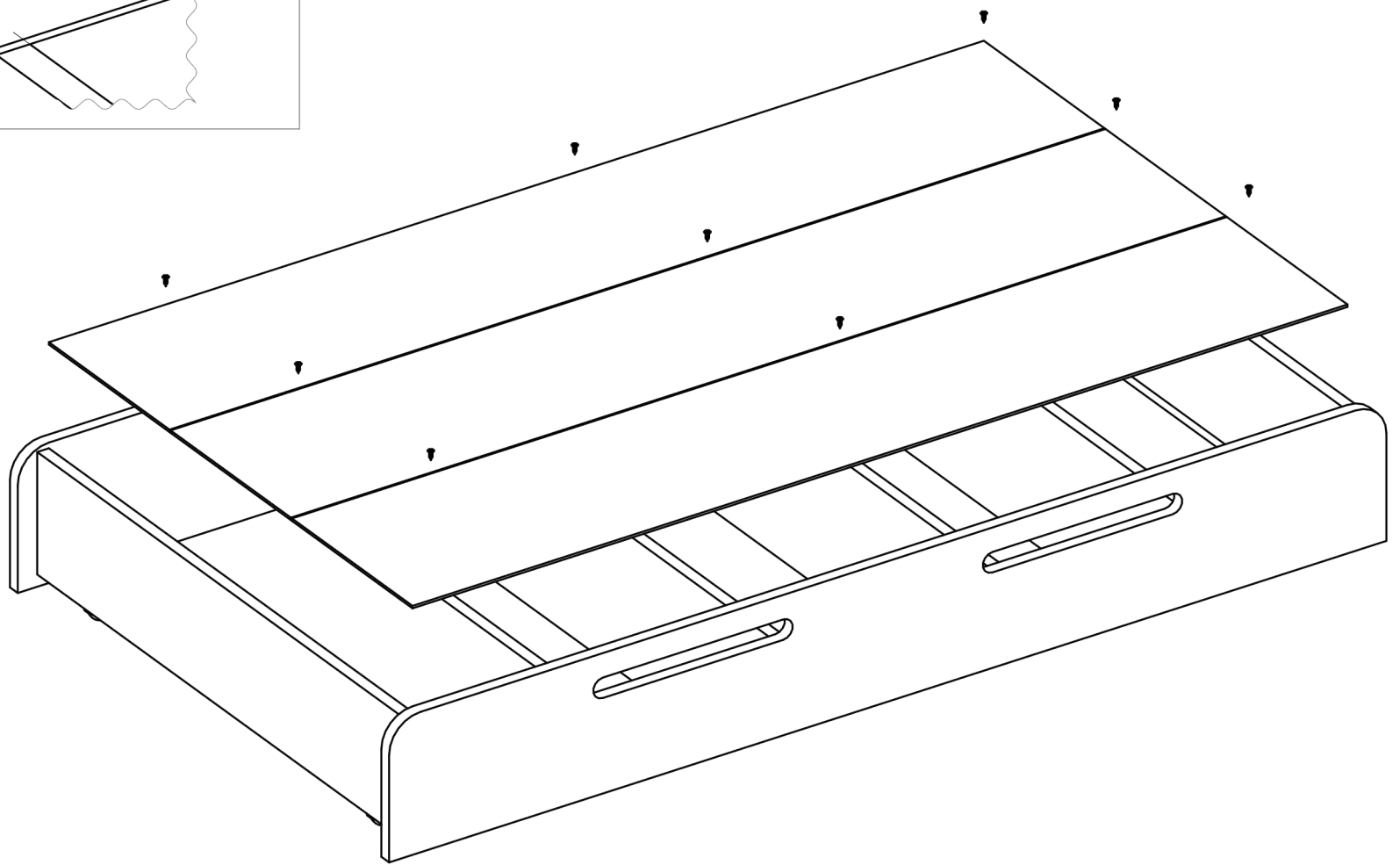


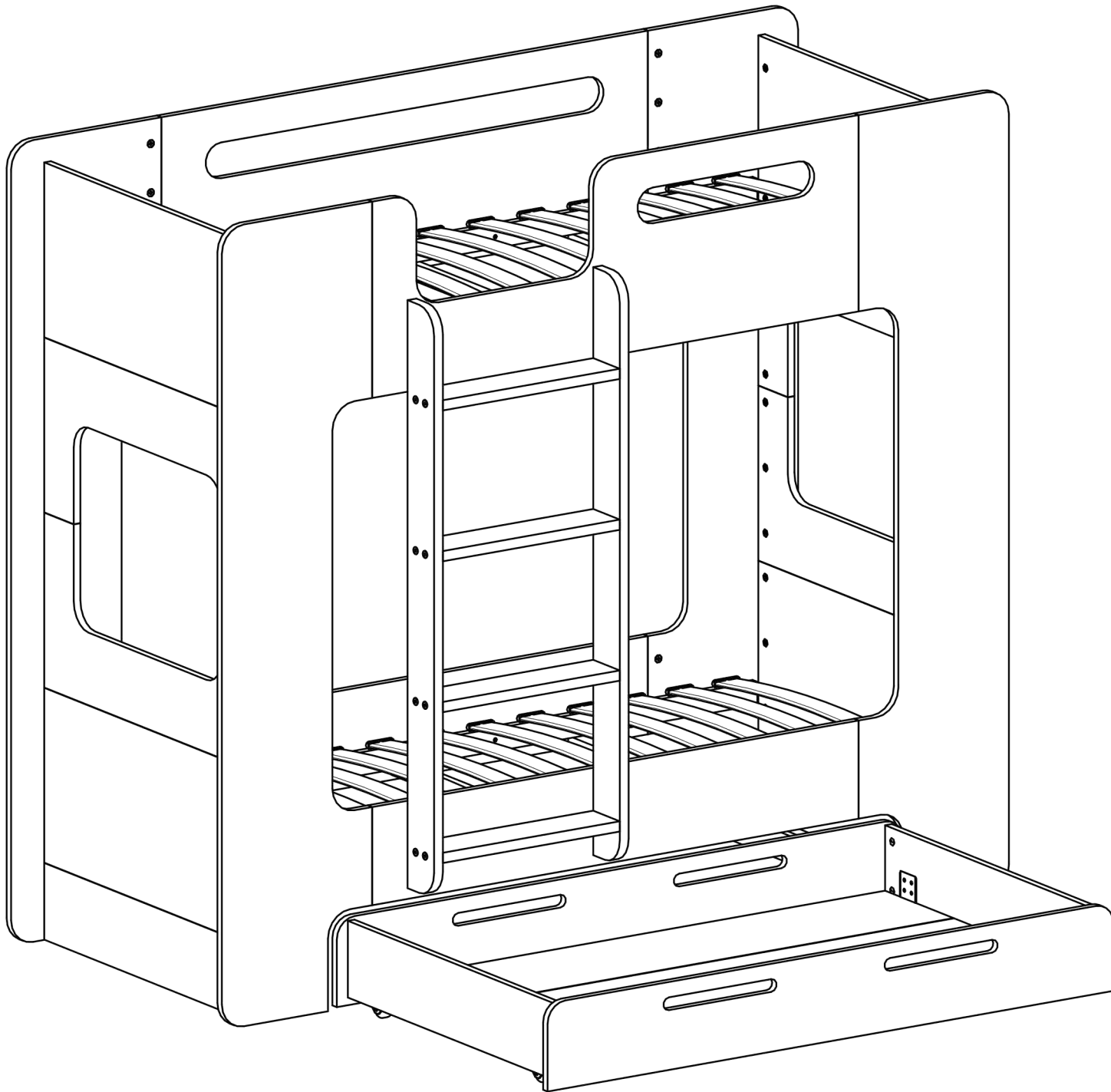
W13





W13 M4X13





Woohoo!

High-fives all around for a job well done.

We hope your little one is over the moon with their new Petit Puk bed. And why not show off all your hard work? Snap a pic and share it with us on Instagram (tag us @petitpuk) or shoot us an email at info@petitpuk.com. We love seeing our creations come to life in your wonderful homes!

Now, before your kid dives in headfirst, here are a few friendly reminders:

- Stick to mattresses between 8-14 cm thick for the perfect fit.
- Beds are for snoozing, not bouncing
- Keep it safe with just one child on the bunk bed.
- Please, no acrobatics - avoid hanging off any parts of the bed.
- Keep things tidy with a gentle wipe-down of wooden and plastic parts using a dry cloth and mild cleaner.

Warranty

We've got your back with a 2-year warranty on bed parts under normal use. If you ever need a hand or have any questions, don't hesitate to reach out to Team Petit Puk. Just send us a message with your name and order number, along with images of the situation.