






Assembly Manual for MILLY

Congratulations on your new Petit Puk bed! Get ready to transform your kid's sleeping space into a fortress of imagination, a castle of coziness, and a launchpad for their sweetest dreams! When you follow this step-by-step assembly, you'll breeze through the process.

Quick Checklist:

-  Is everything complete?
-  All pieces in good shape?
-  Do no start adding glue before you made sure all pieces are there and in perfect shape
-  Note! Applying glue to the bed base is **not** mandatory, as it could hinder the disassembly process later on. Let's keep things flexible for future adventures!
-  Ready to take a photo of your great work once completed and share with us?

Ticked all the boxes? Put on your superhero cape, and let's dive into the wonderful world of bed building.

Big wave,
Team Petit Puk

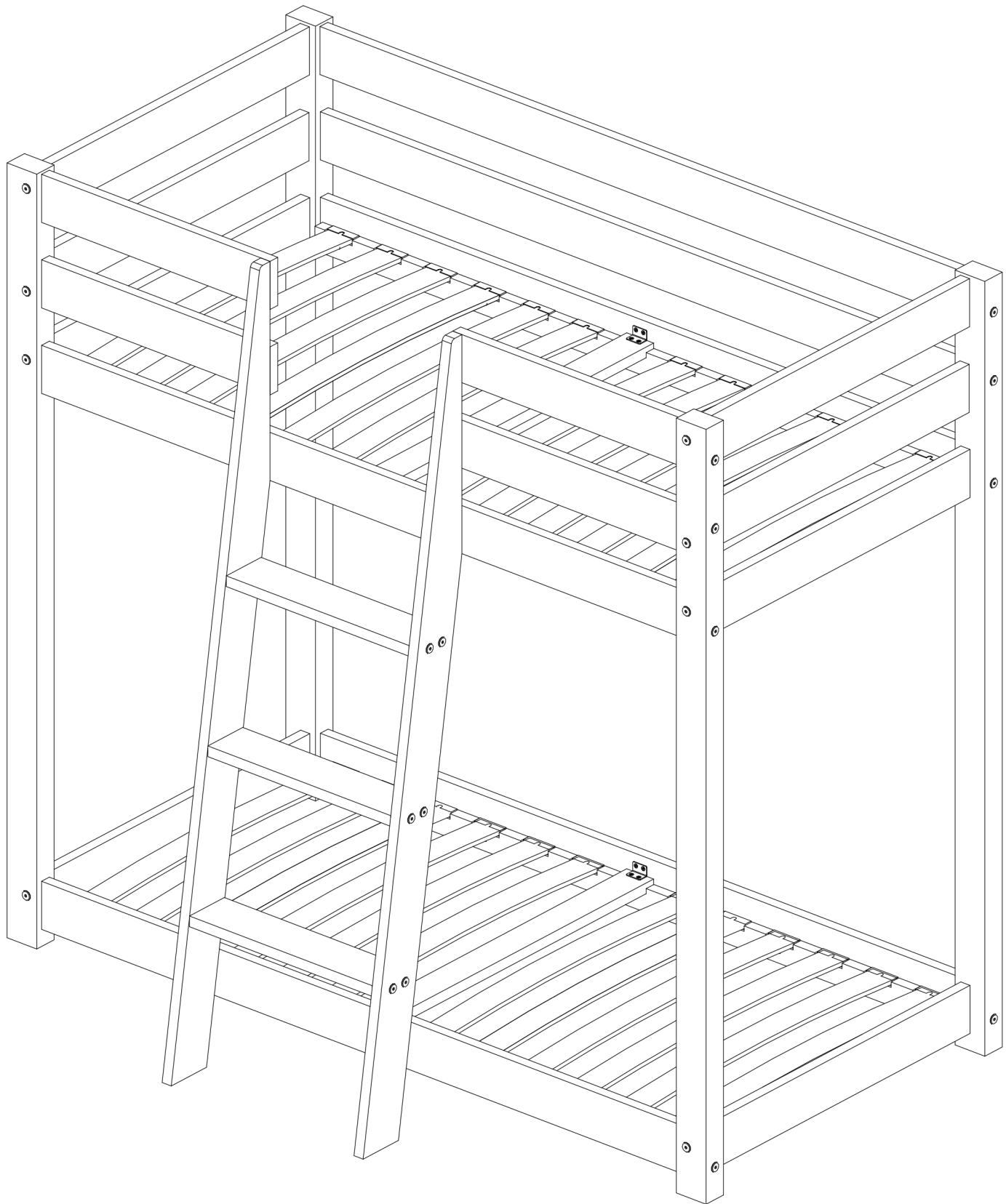
Questions? Reach out via customercare@petitpuk.com

Compliments? Tag us on instagram @petitpuk

Table of contents

-Milly p.3-14

-Milly + drawer p.15-29

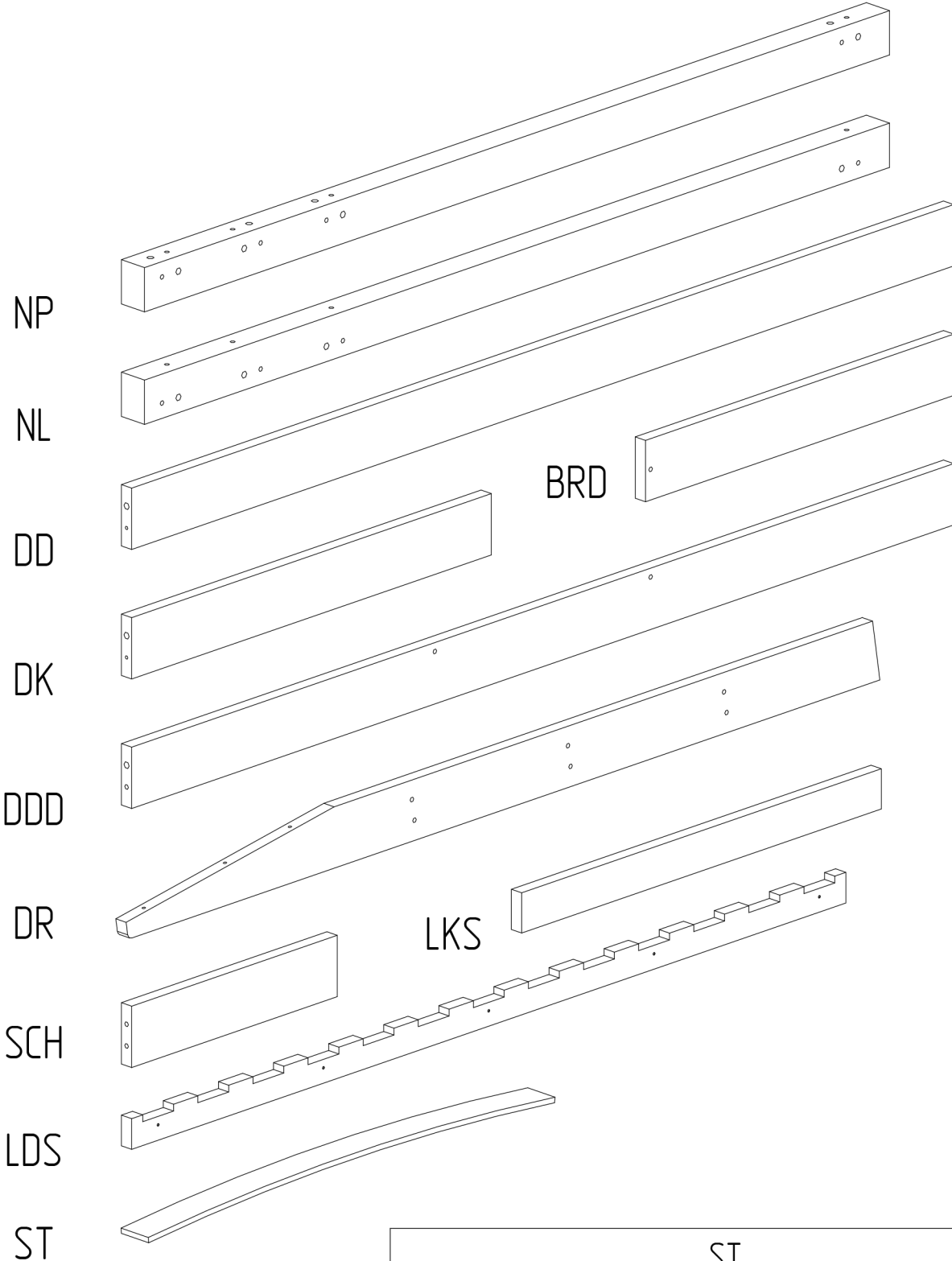


PLEASE READ BEFORE ASSEMBLY:

- 1) Make sure there is free space for installation.
- 2) Before fully unpacking, please measure the elements whether they match the order.
- 3) After unpacking the elements from the cartons please check the completeness of the whole set with the assembly instruction. - If you check and find that something is missing
- let us know, we will check the packaging and when it is necessary we will send the missing parts.
- 4) Think about whether you will need help with the assembly, if you find it necessary, find a assistant. (We recommend two people to assemble the bunk beds).
- 5) We recommend installing wooden pins on a hard flat surface
(you can use the cardboard from the packaging).
- 6) When using a hammer to hammer in the woodpins, remember not to use too much force, and the element should be placed on a flat hard surface.

REMEMBER!

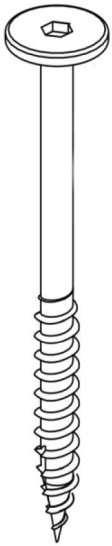
NEVER HAMMER THE WOODPINS TO THE PARTS IN THE AIR



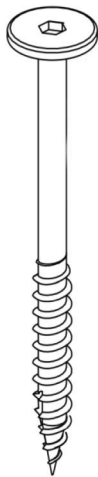
ST	
LENGTH [cm]	QUANTITY
140	24
160	28
180	28
190	32
200	32

PART	NP	NL	DD	DK	BRD	DDD	DR	SCH	LKS	LDS
QUANTITY	2	2	6	8	5 4	1	2	3	2	4

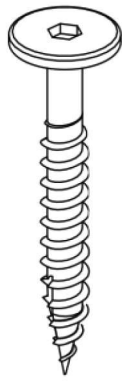
S110



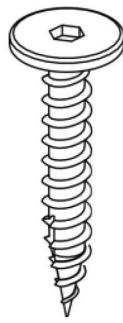
S80



S50



S40



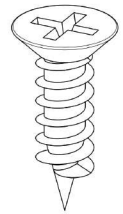
W30



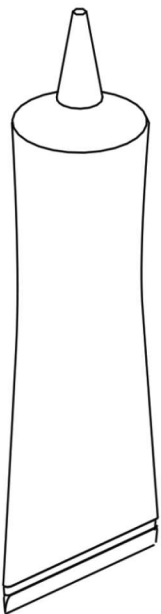
K10



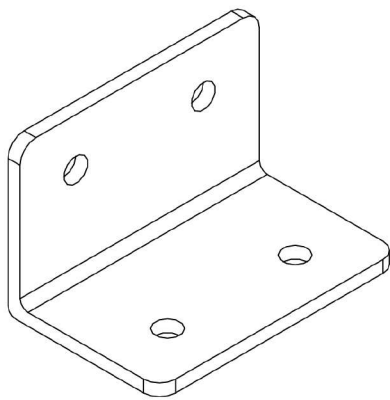
W16



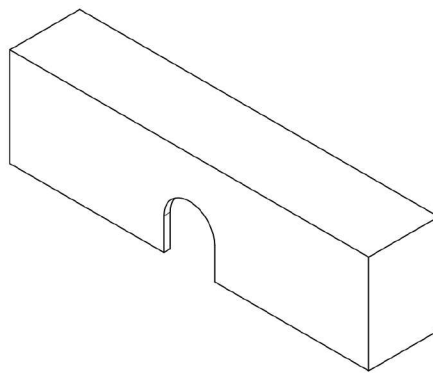
G



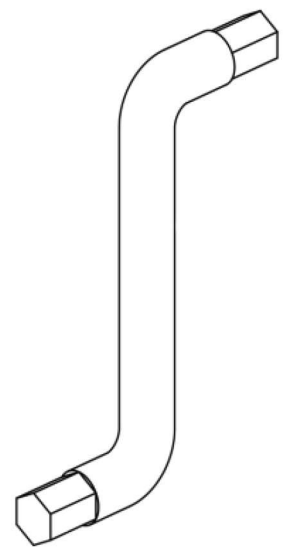
KT



P

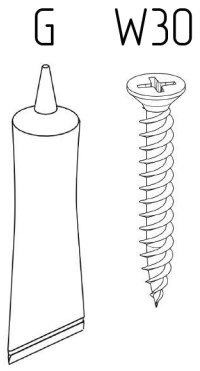


INBUS

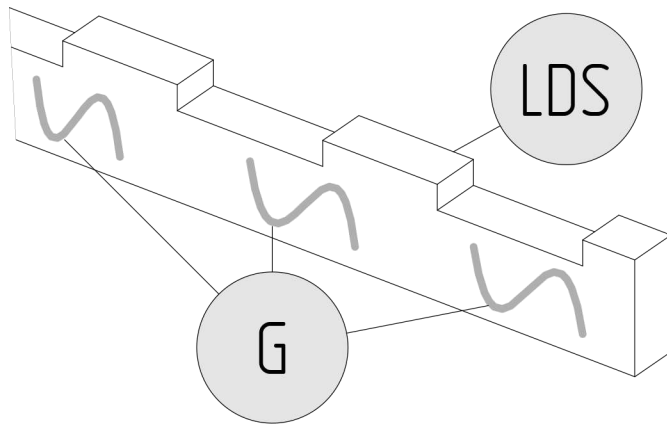


P	
LENGTH [cm]	QUANTITY
140	48
160	56
180	56
190	64
200	64

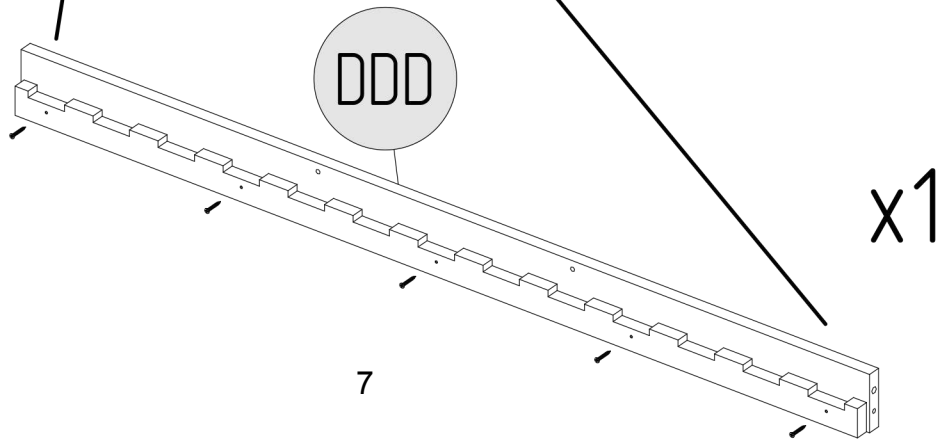
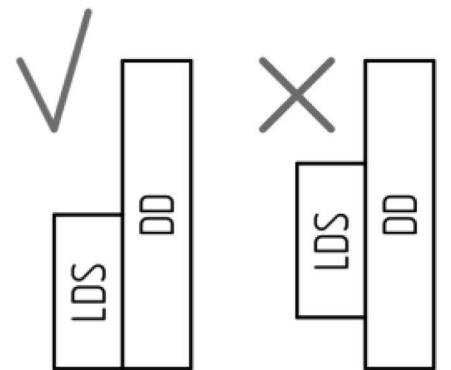
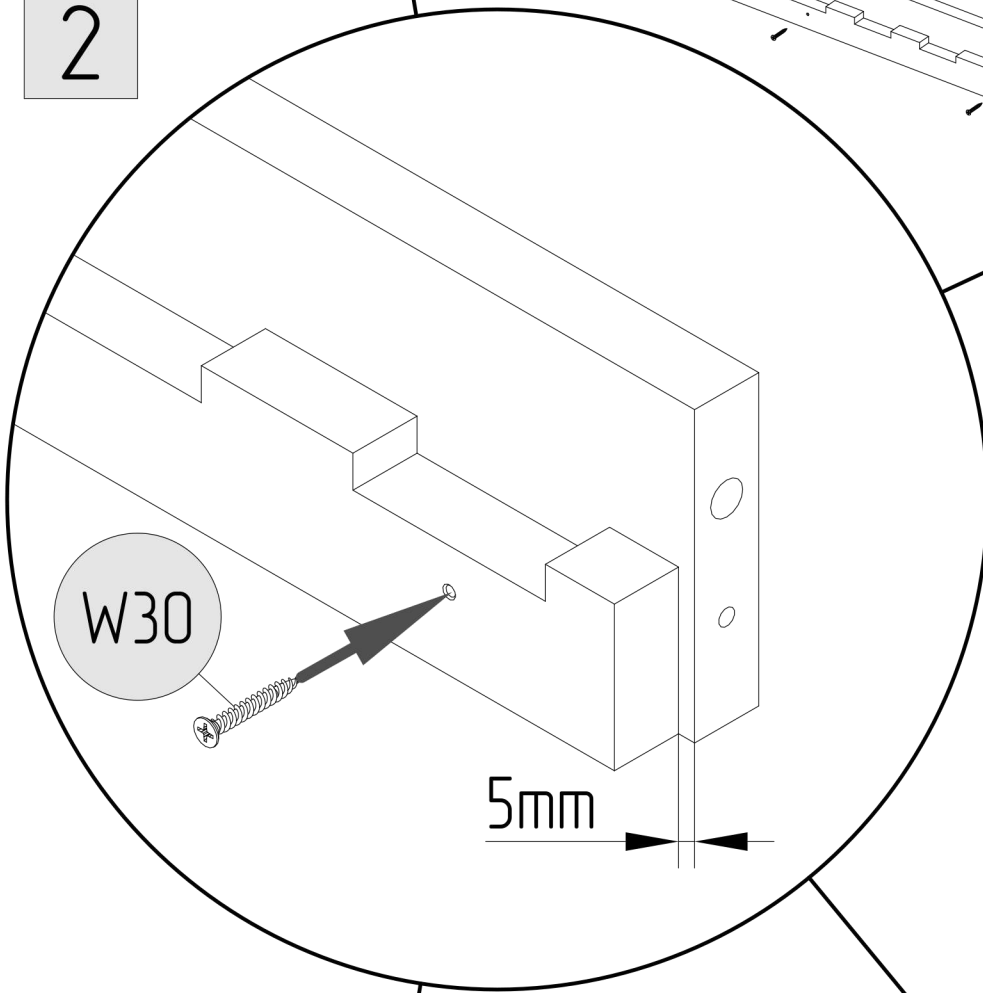
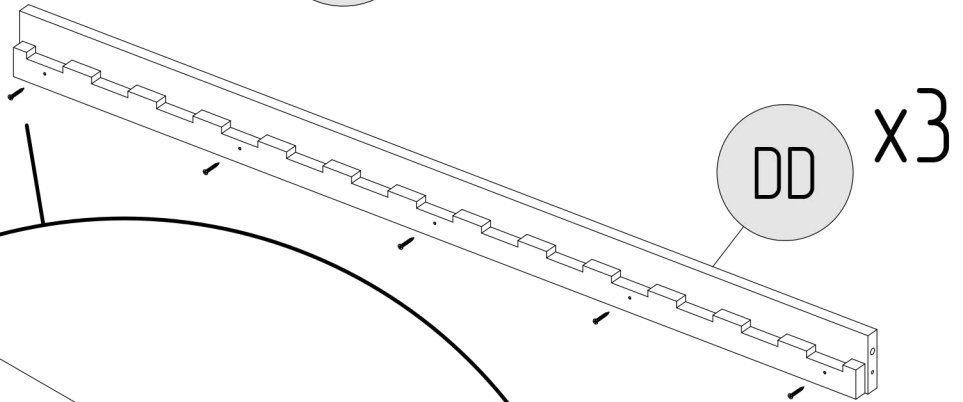
PART	S110	S80	S50	S40	W30	K10	W16	G	KT	INBUS
QUANTITY	16	16	16	2 ⁶	24	32	16	4	4	2



1

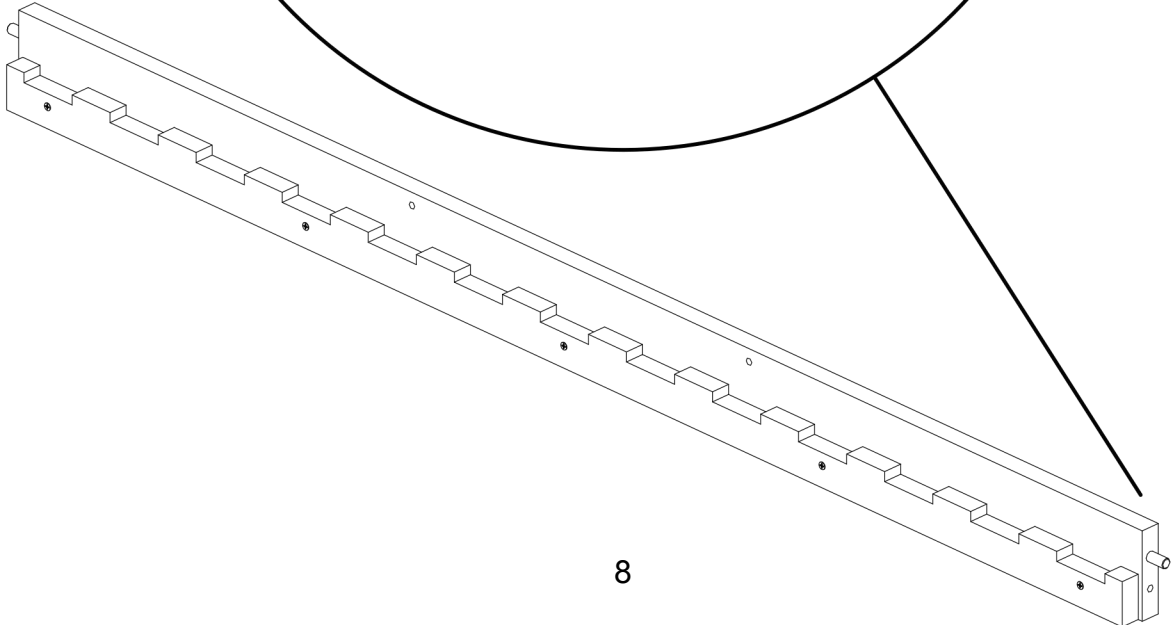
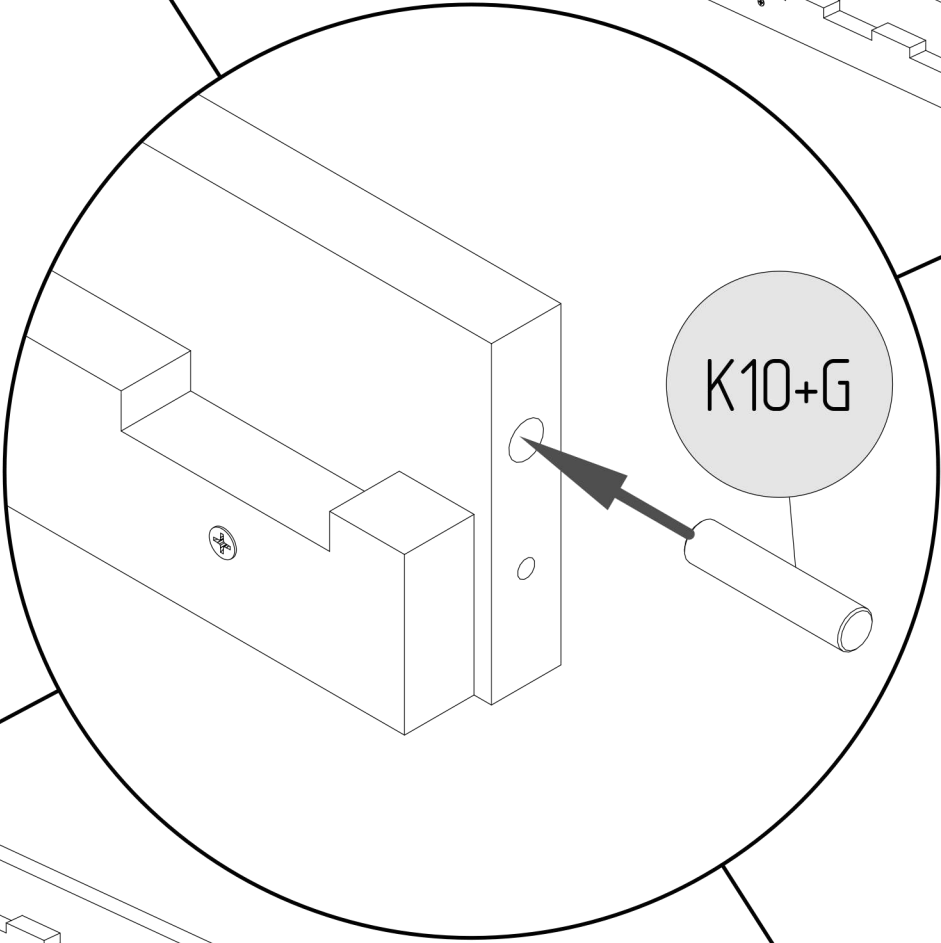
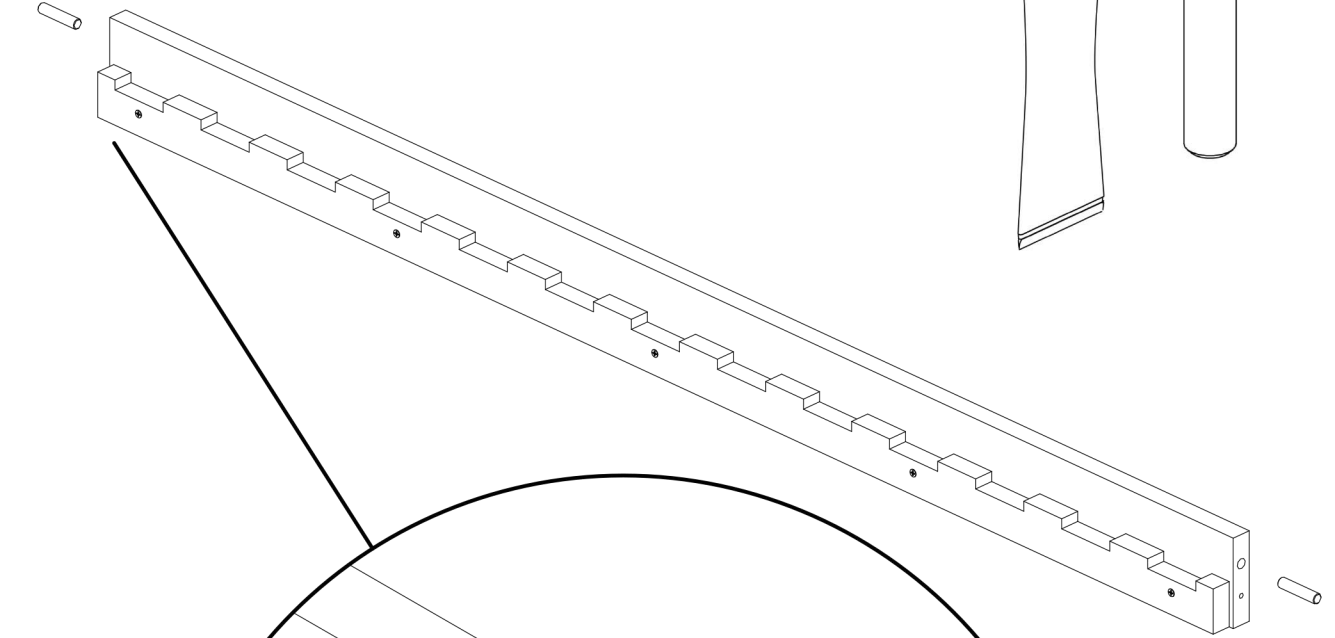
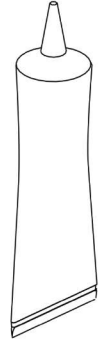


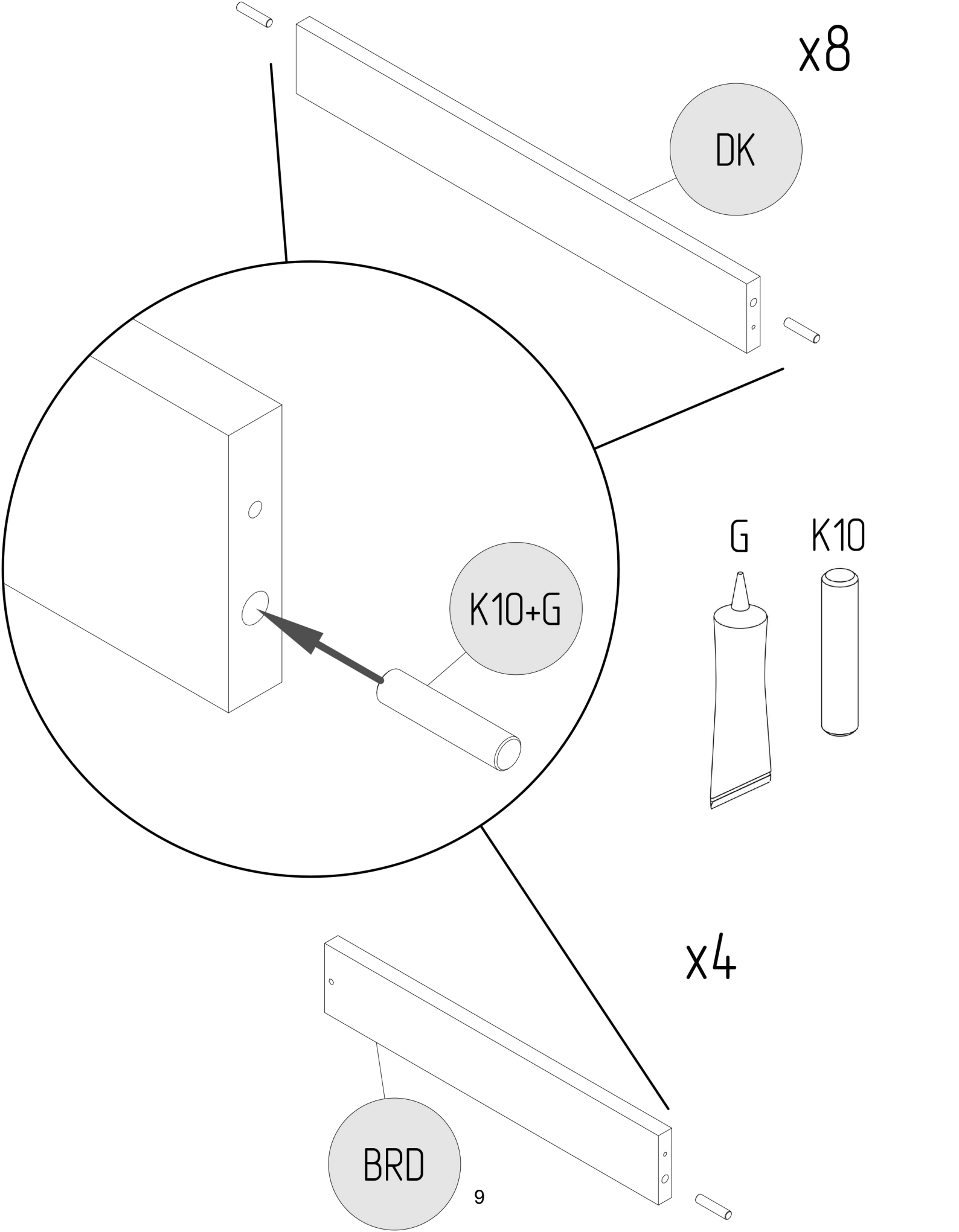
2

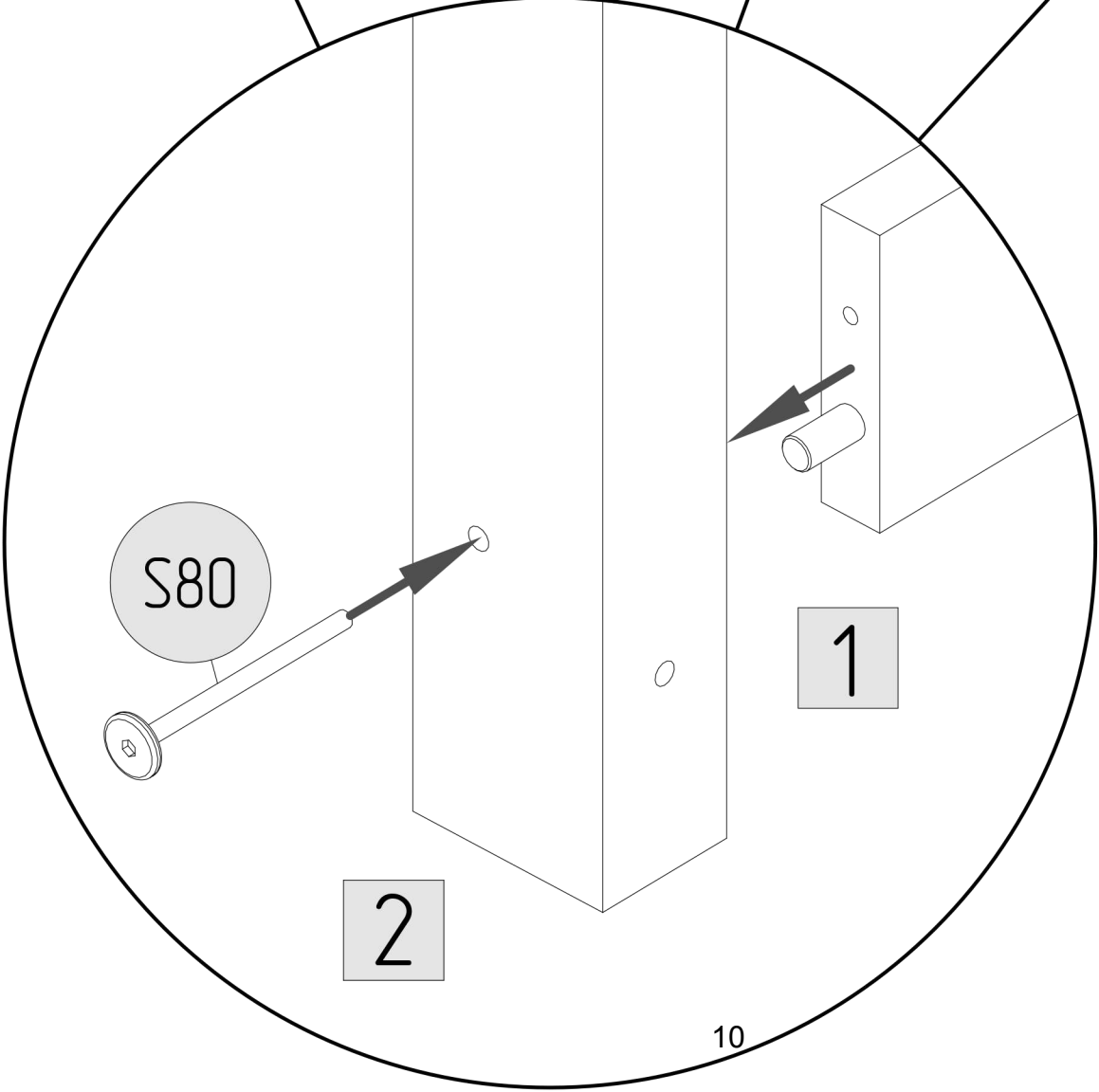
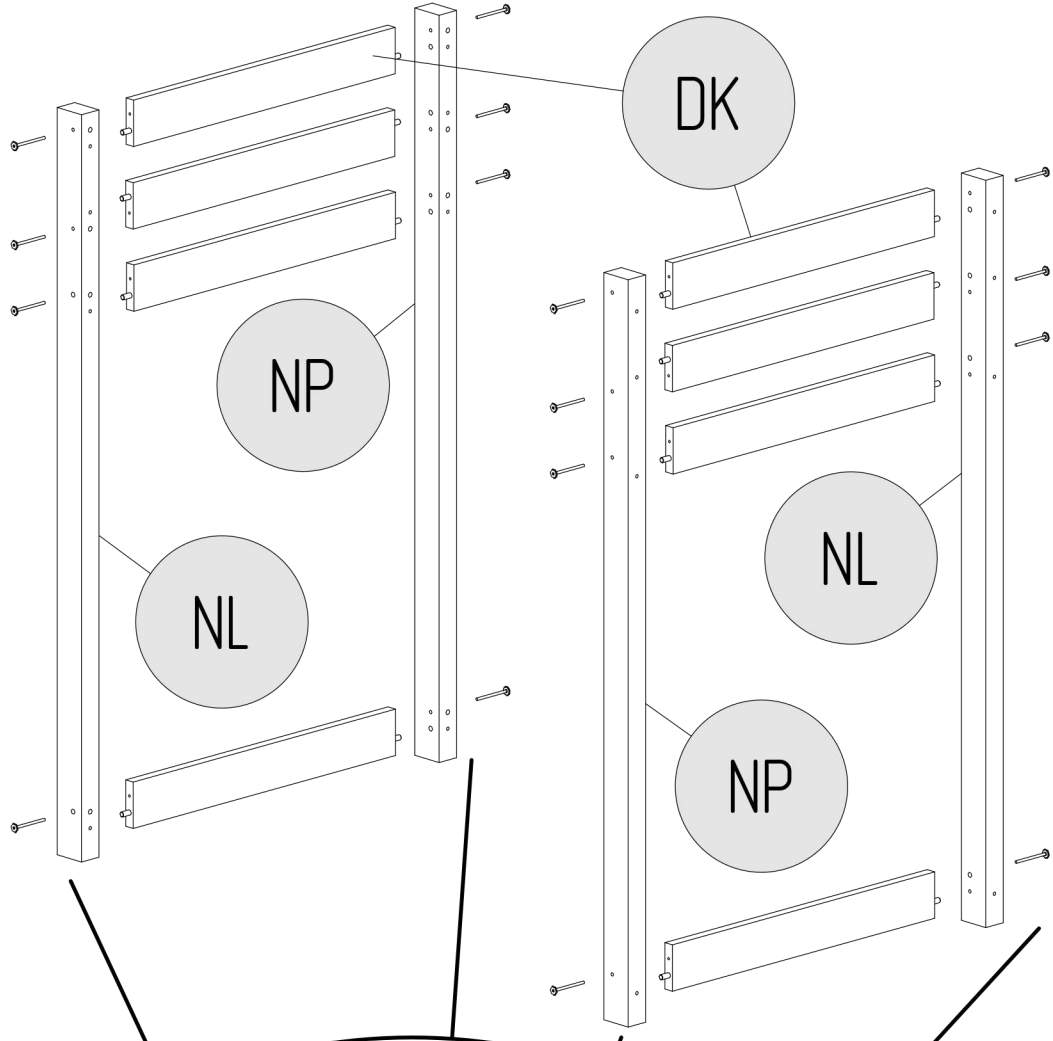


G

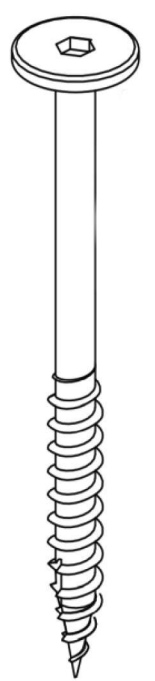
K10

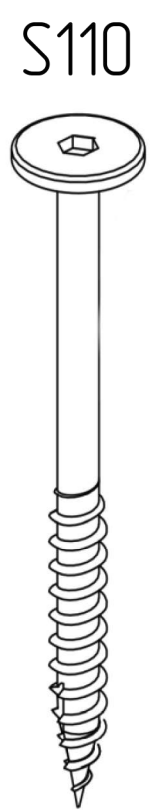
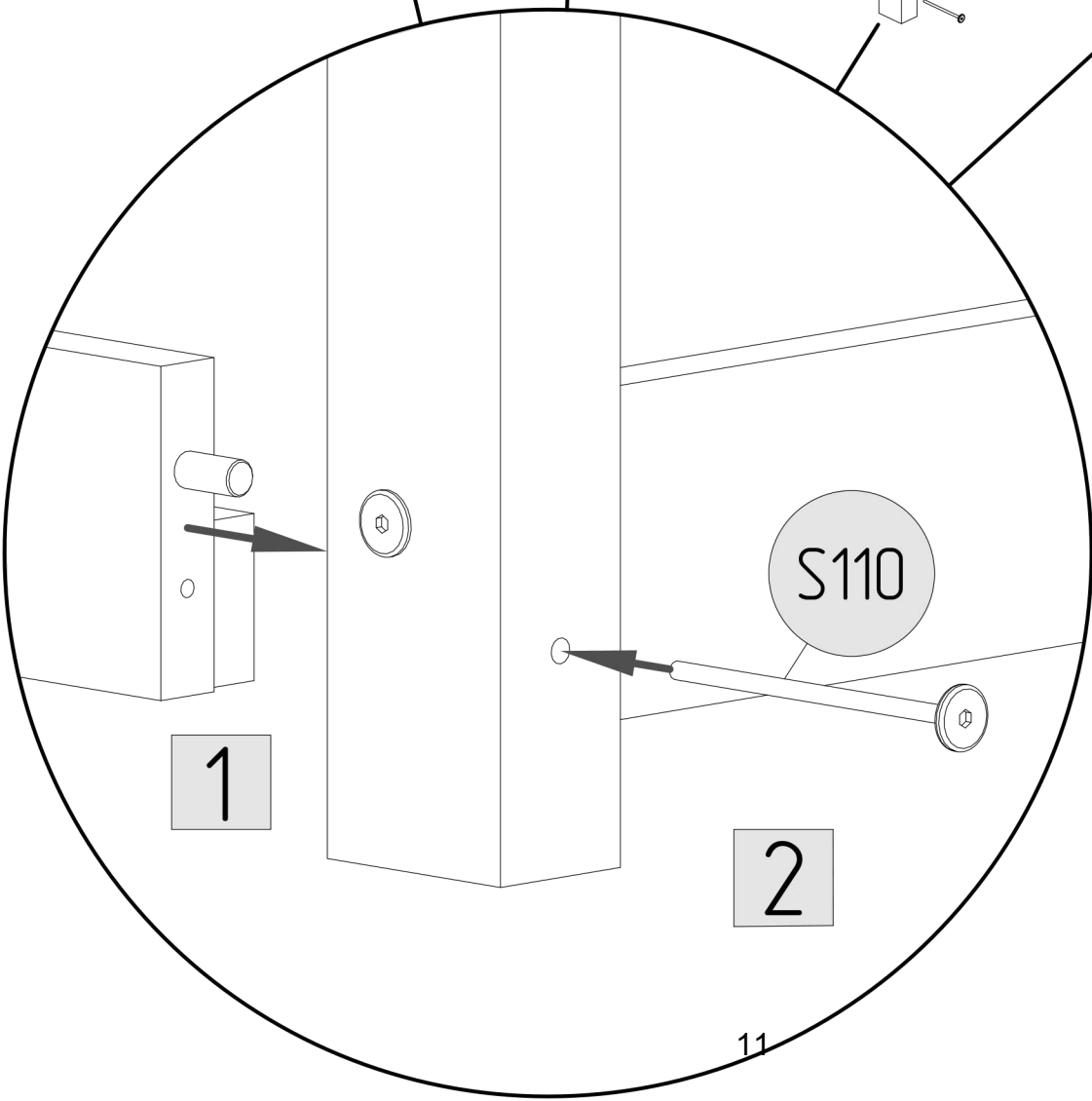
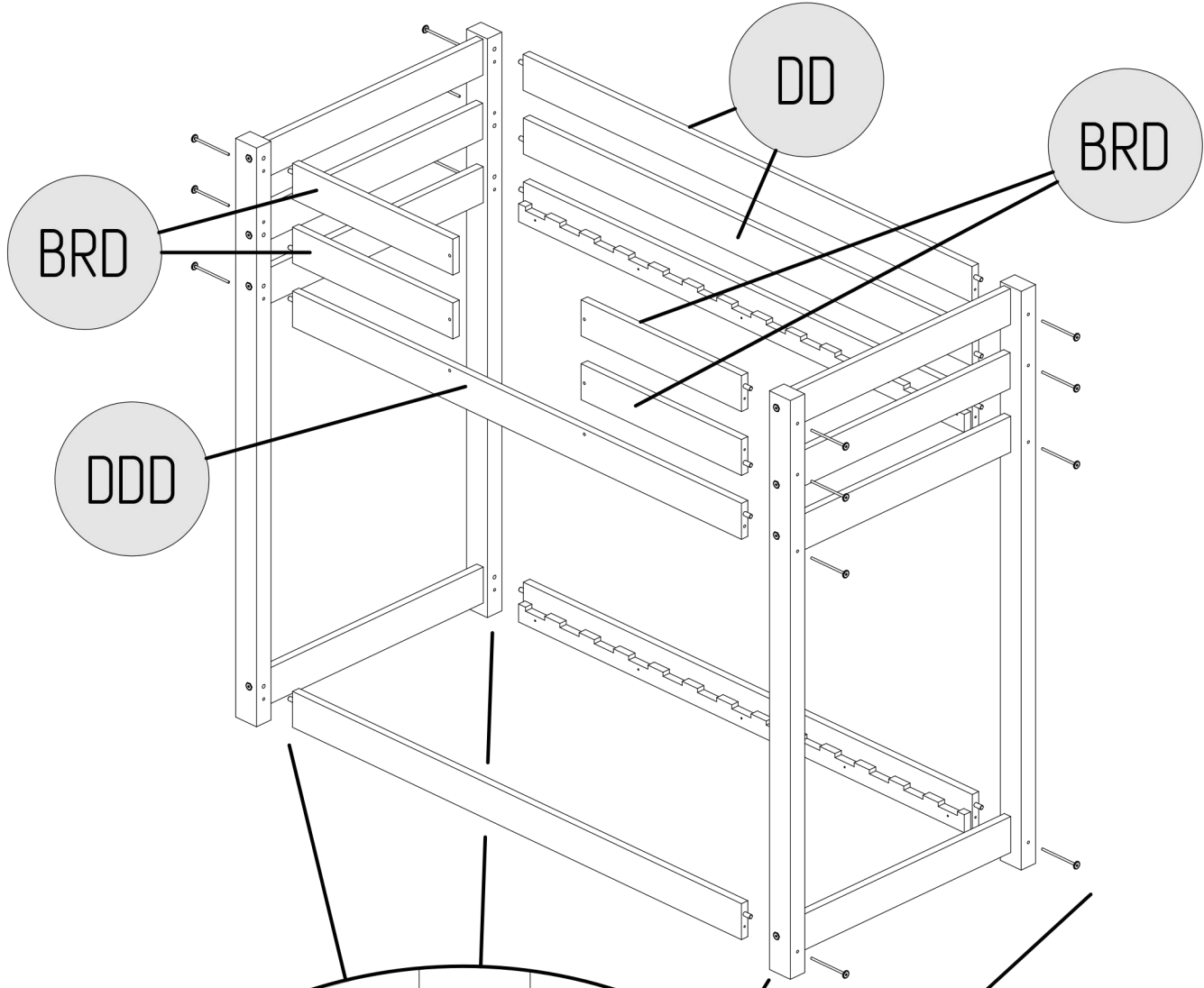






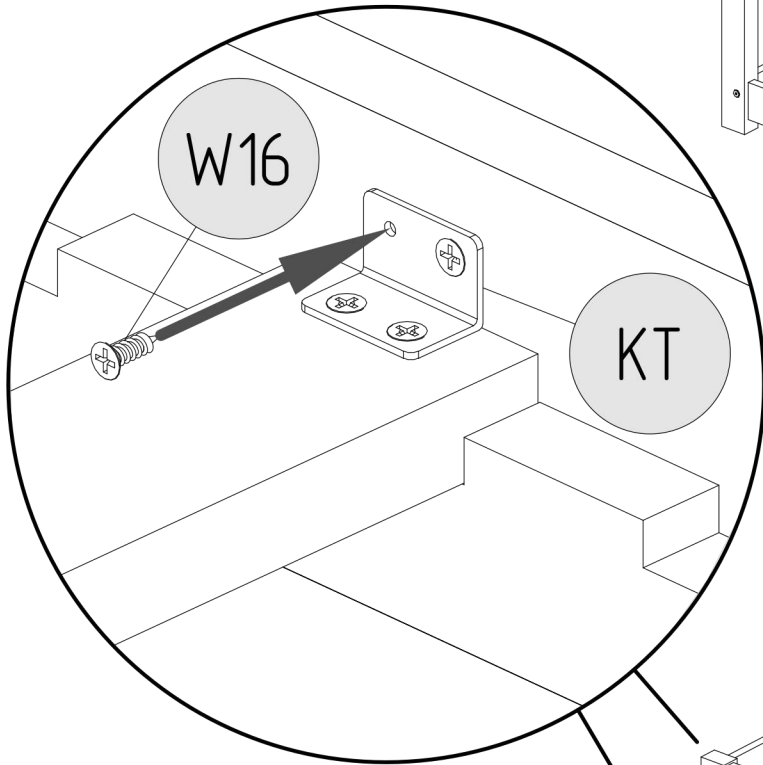
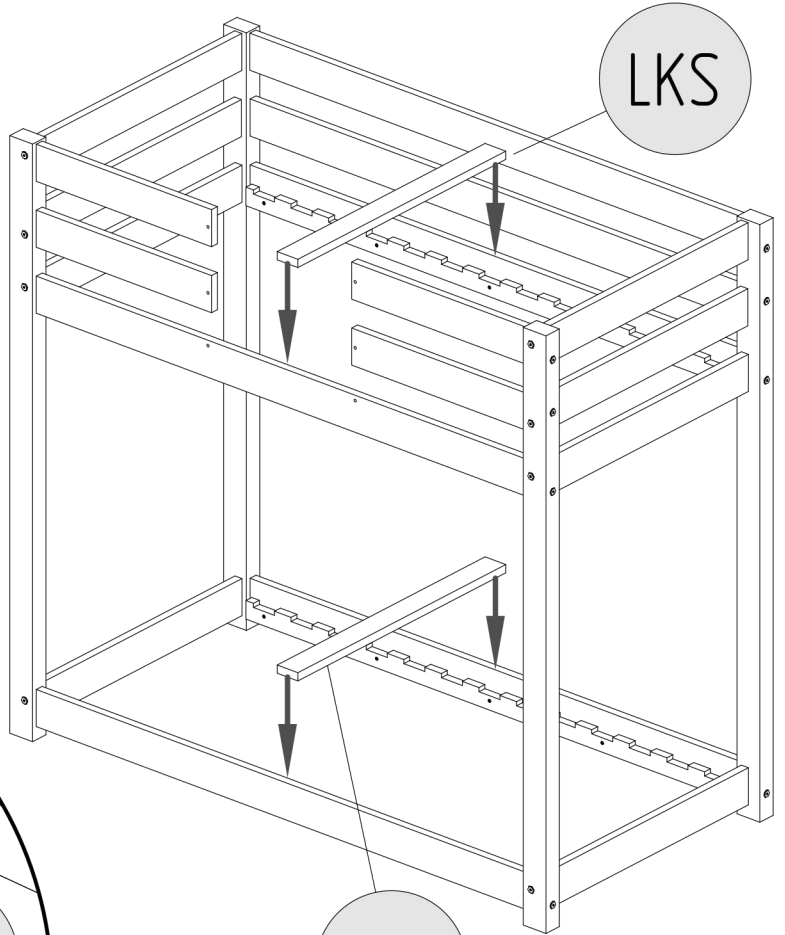
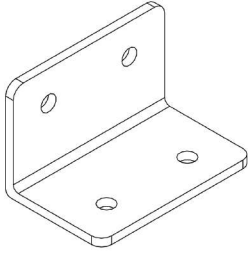
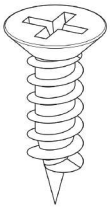
S80





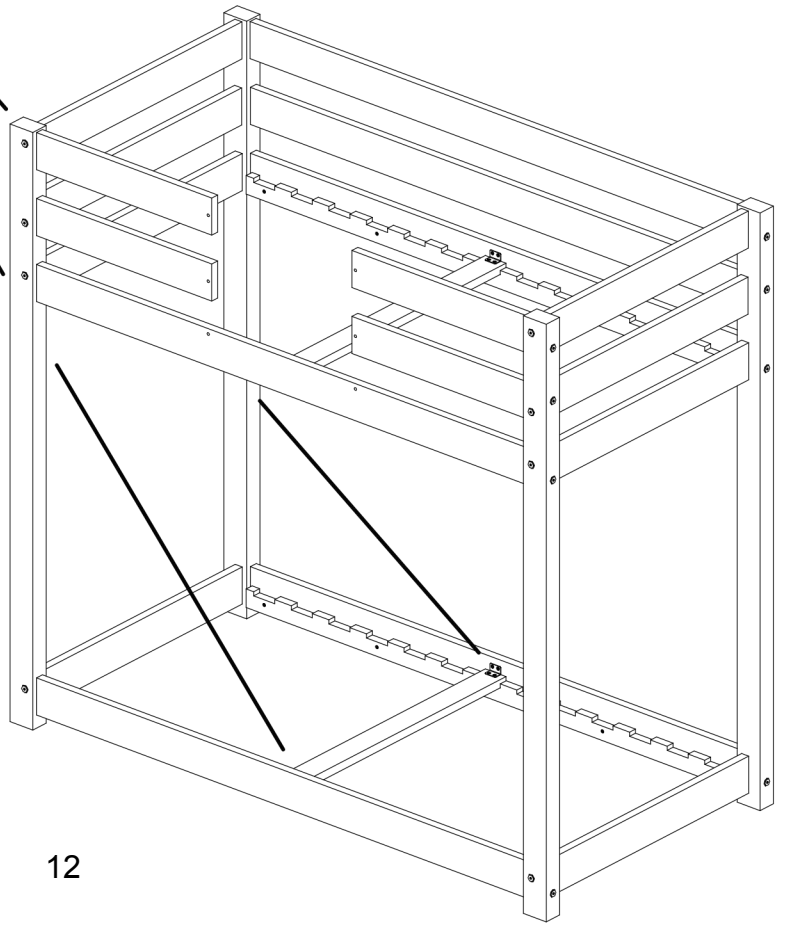
W16

KT



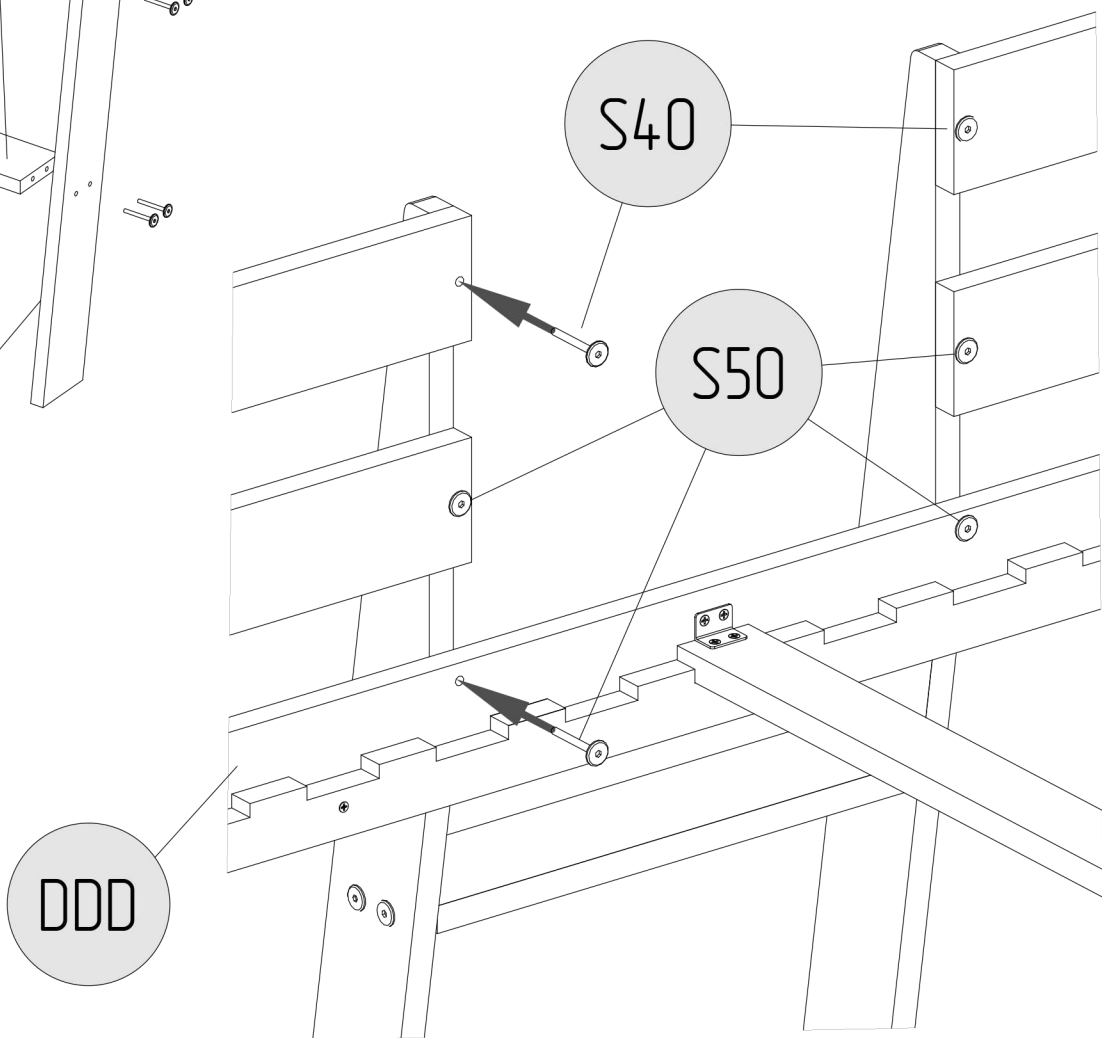
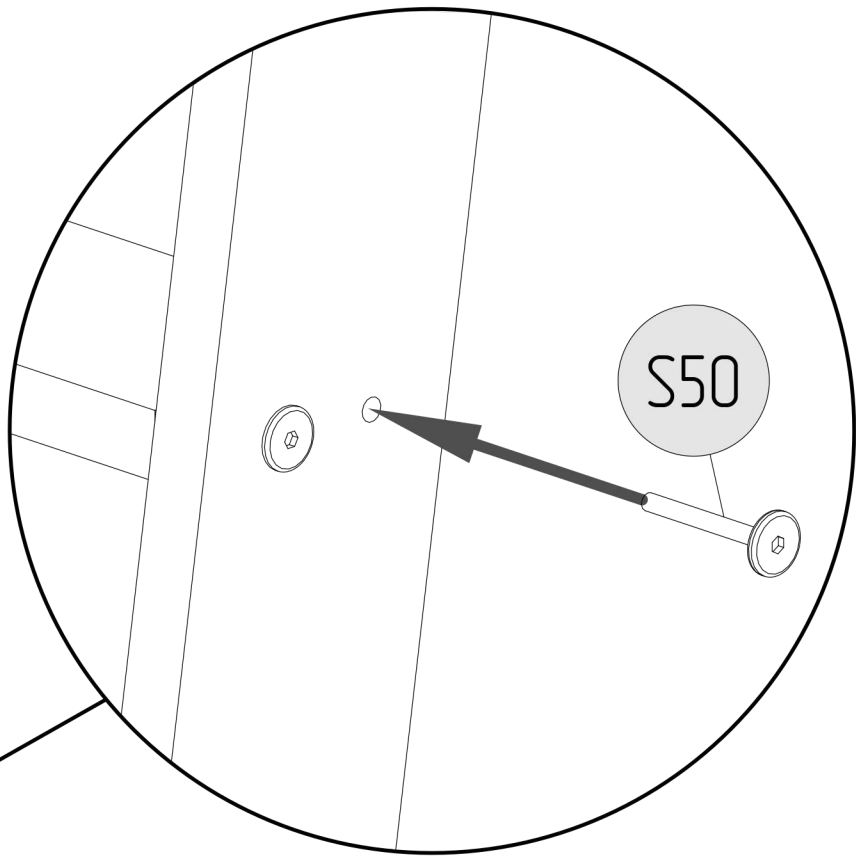
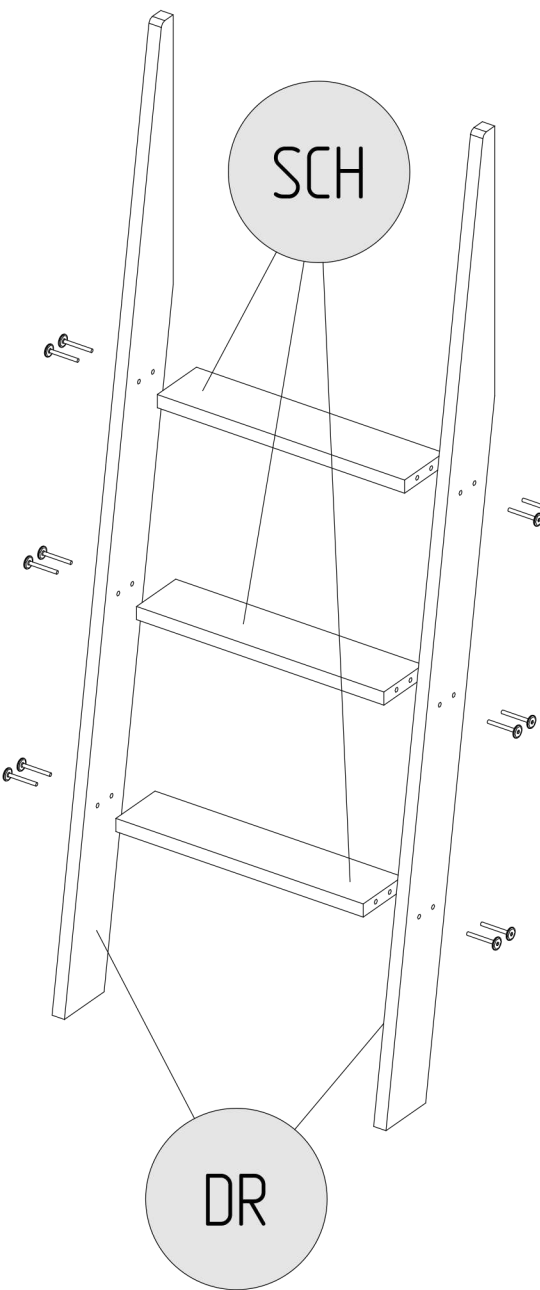
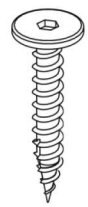
LKS

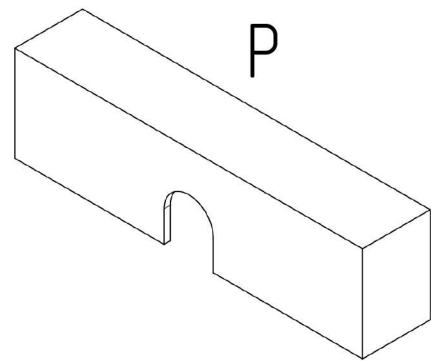
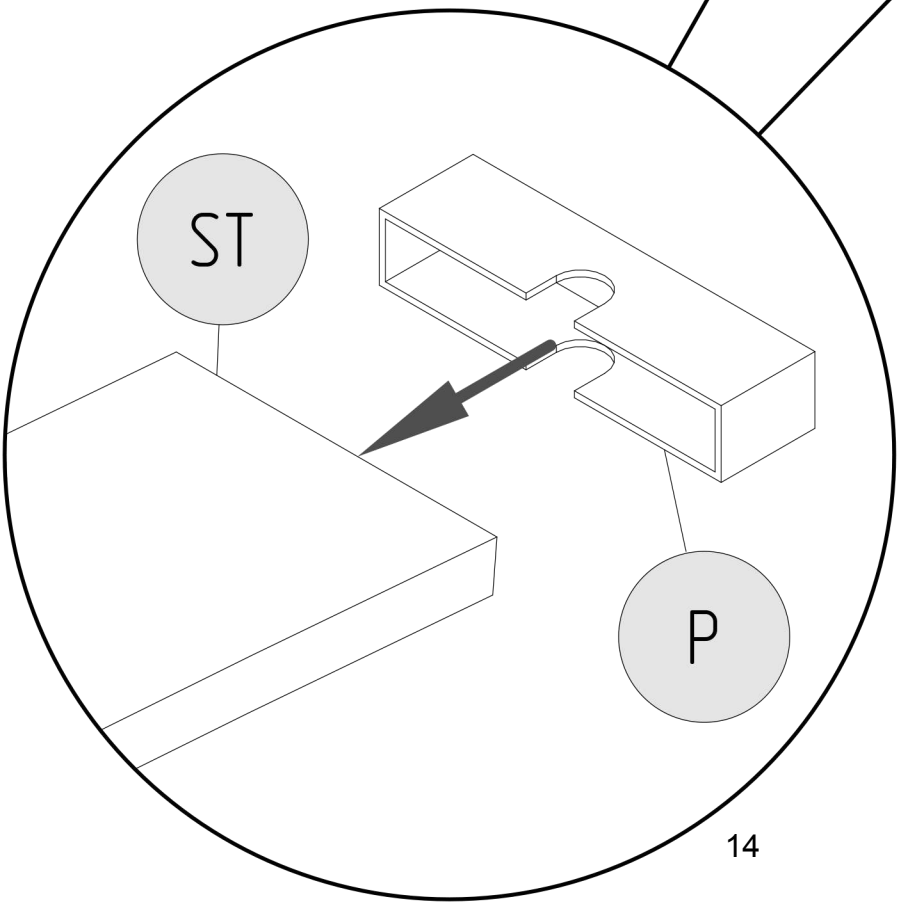
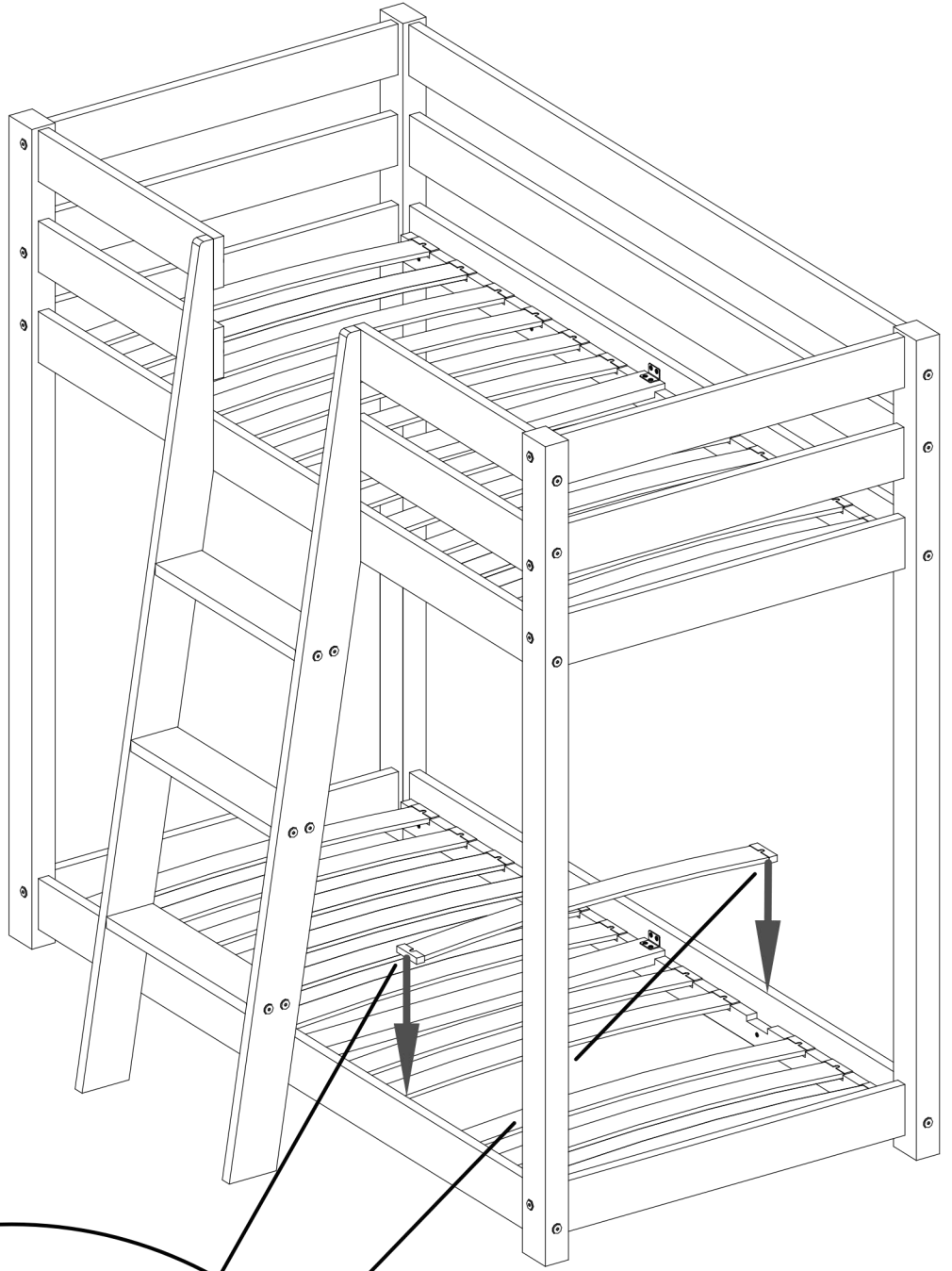
*Repeat the action on the bed floor

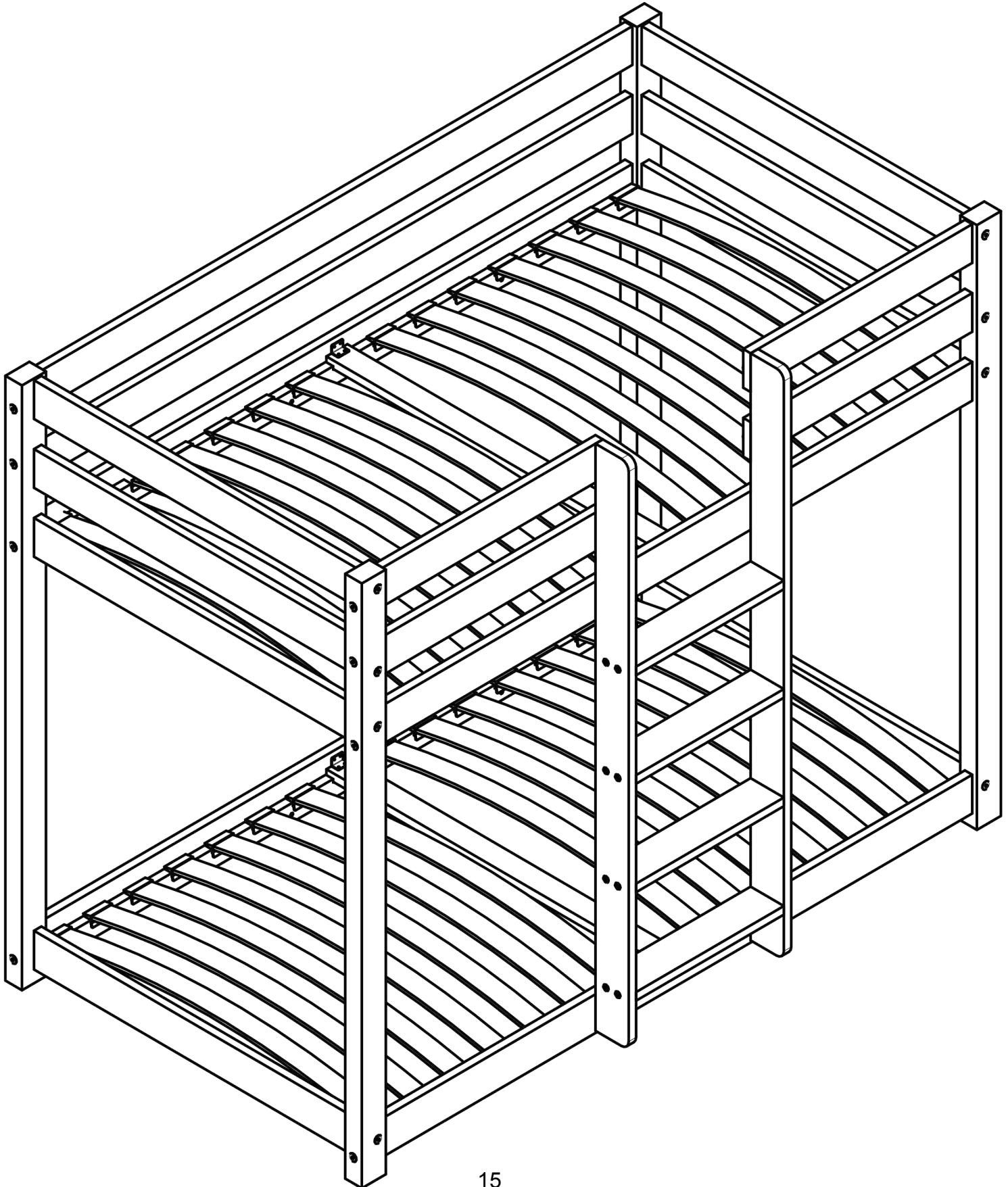


S50

S40





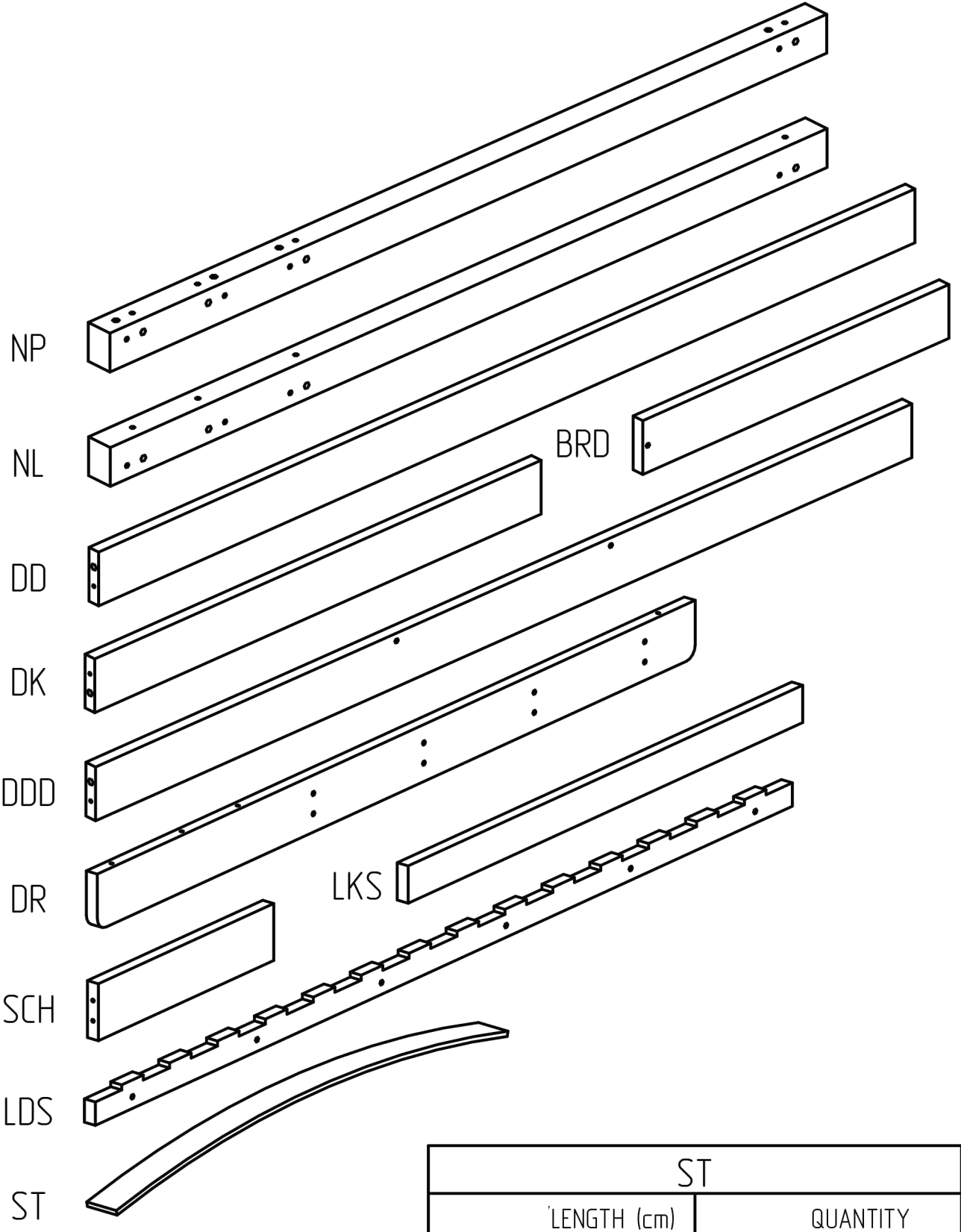


PLEASE READ BEFORE ASSEMBLY:

- 1) Make sure there is **free space** for installation.
- 2) Before fully unpacking, please **measure the elements** whether they match the order.
- 3) After unpacking the elements from the cartons please **check the completeness** of the whole set with the assembly instruction. - If you check and find that something is missing
- let us know, we will check the packaging and when it is necessary we will send the missing parts.
- 4) Think about whether you will need help with the assembly, if you find it necessary, find a assistant. (We **recommend two people to assemble** the bunk beds).
- 5) We recommend installing wooden pins on a **hard flat surface**
(you can use the cardboard from the packaging).
- 6) When using a hammer to hammer in the woodpins, remember not to use too much force, and the element should be **placed on a flat hard surface**.
- 7) Use glue for wooden dowels and dowel holes

REMEMBER!

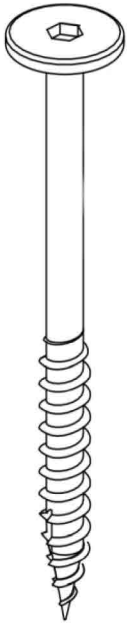
NEVER HAMMER THE WOODPINS TO THE PARTS IN THE AIR



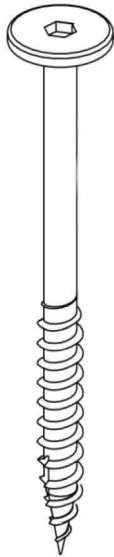
ST	
LENGTH (cm)	QUANTITY
140	28
160	28
180	28
190	32
200	32

PART	NP	NL	DD	DK	BRD	DDD	DR	SCH	LKS	LDS
'QUANTITY	2	2	4	8	4	2	2	4	2	4

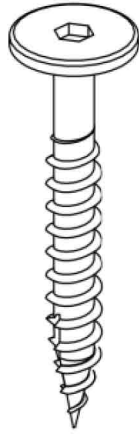
S110



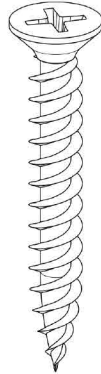
S80



S50



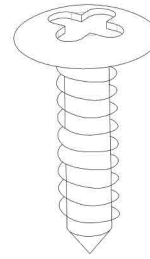
W16



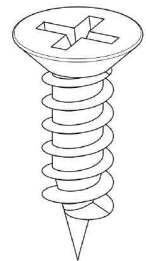
K10



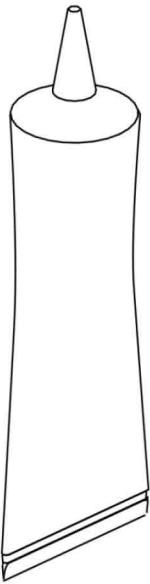
WT



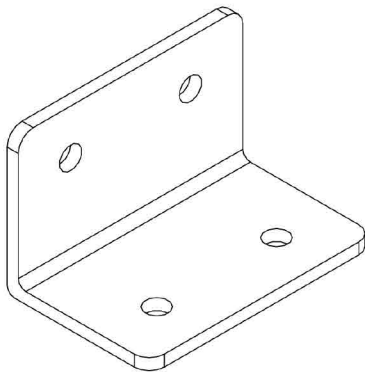
W16



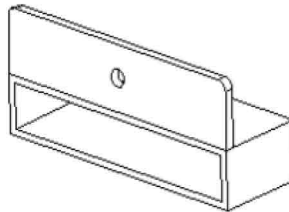
G



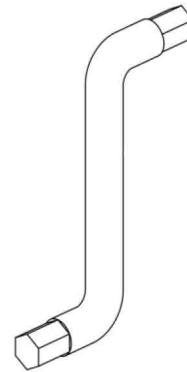
KT



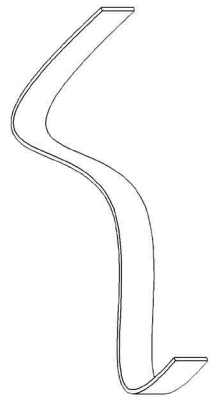
P



INBUS

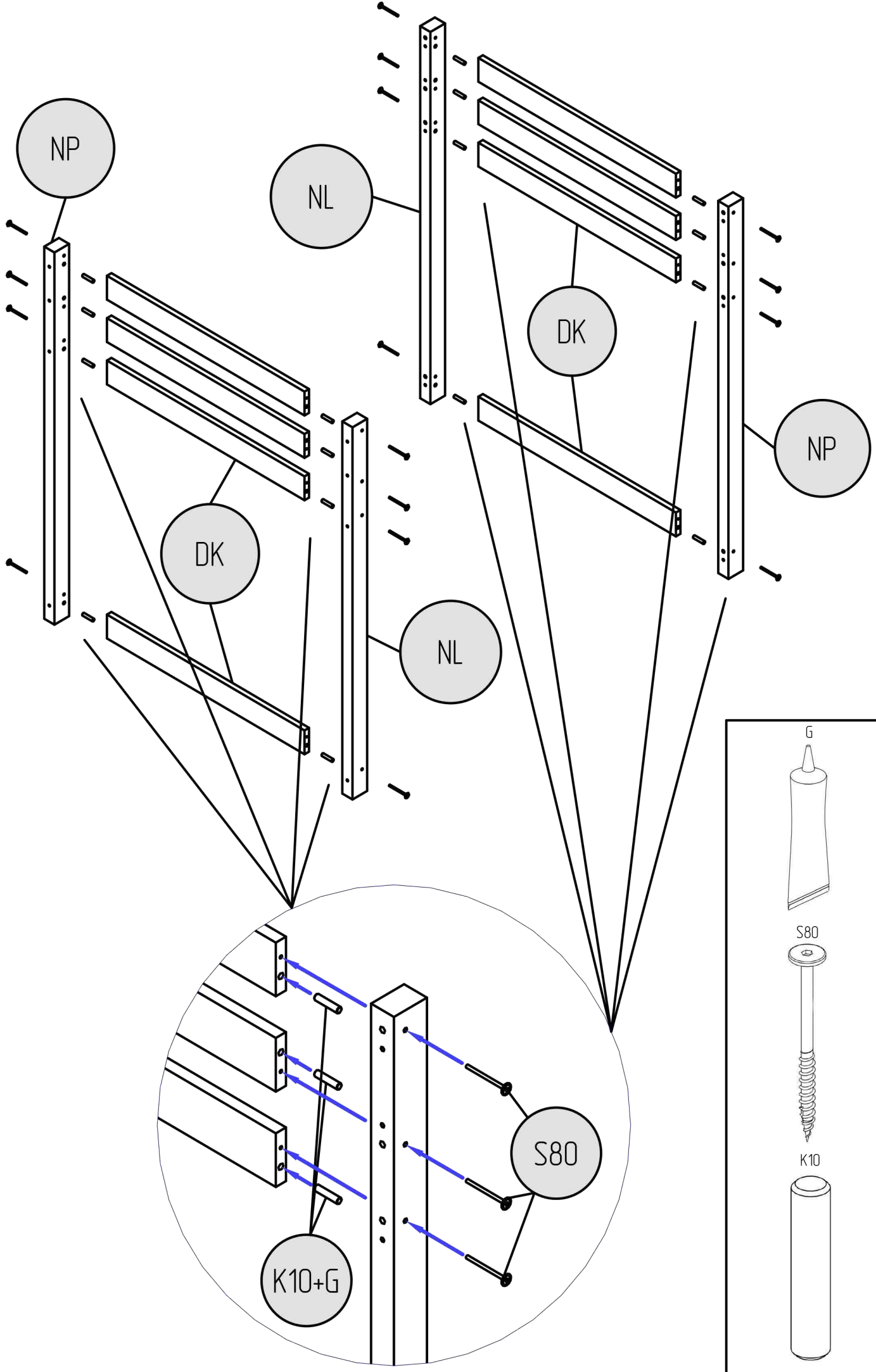


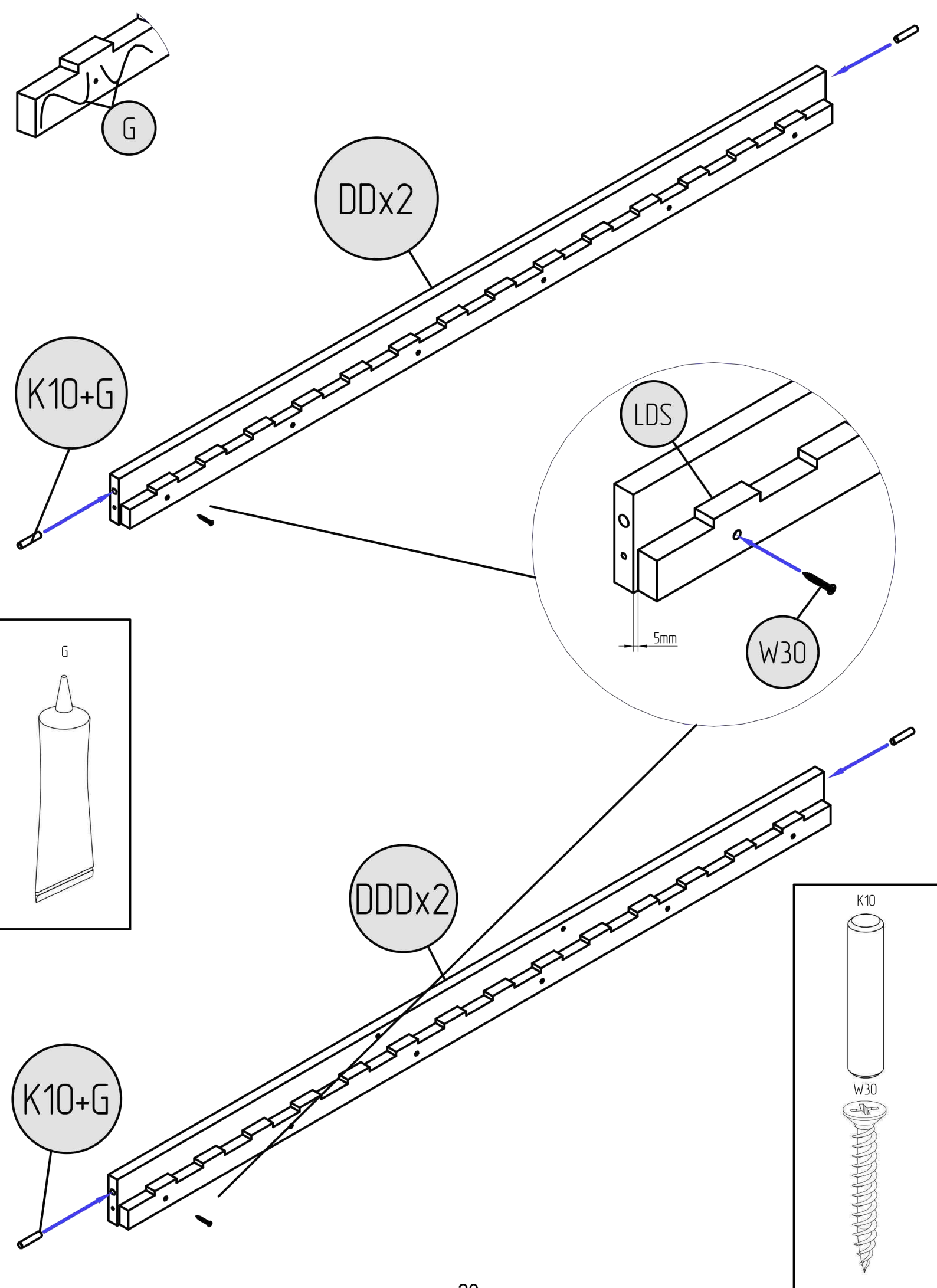
KTP

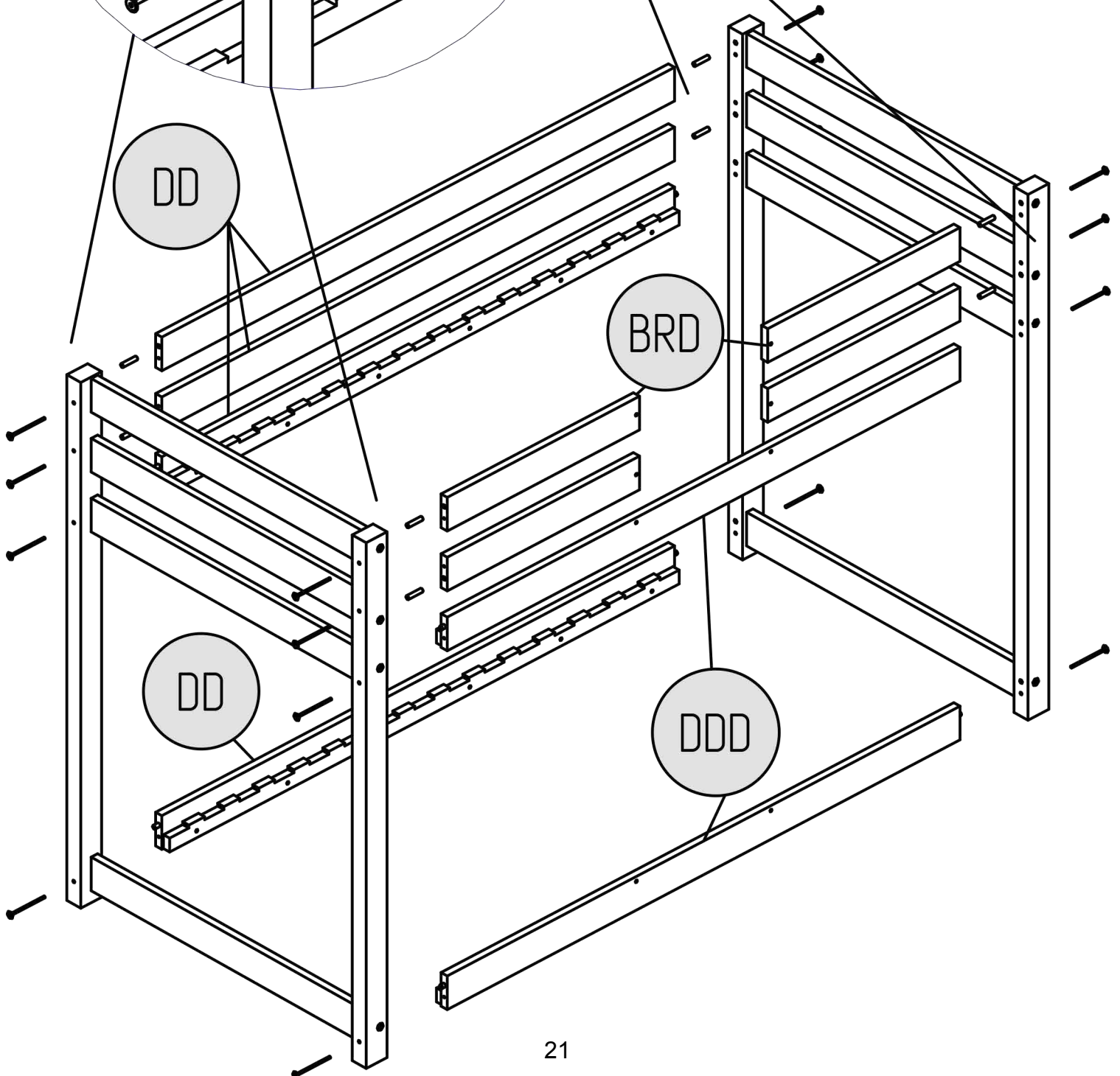
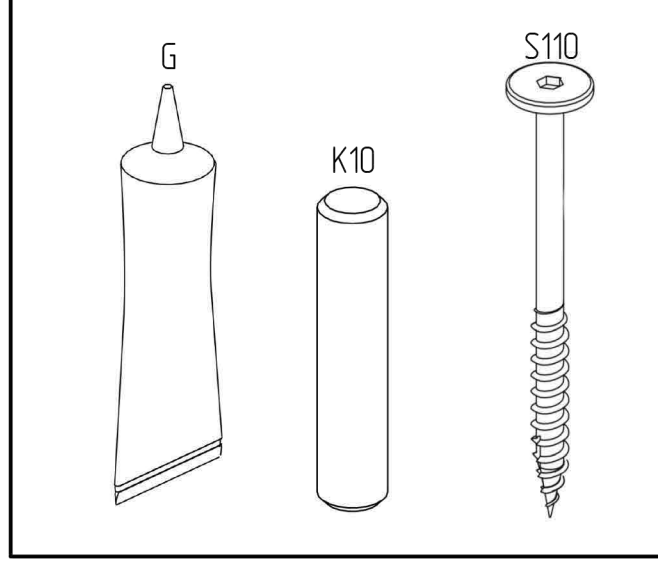
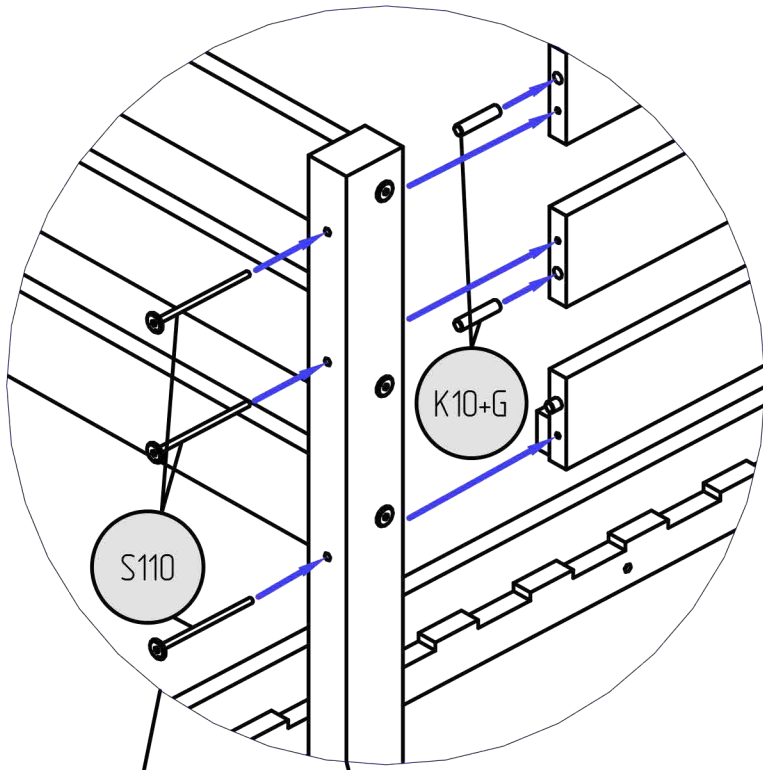


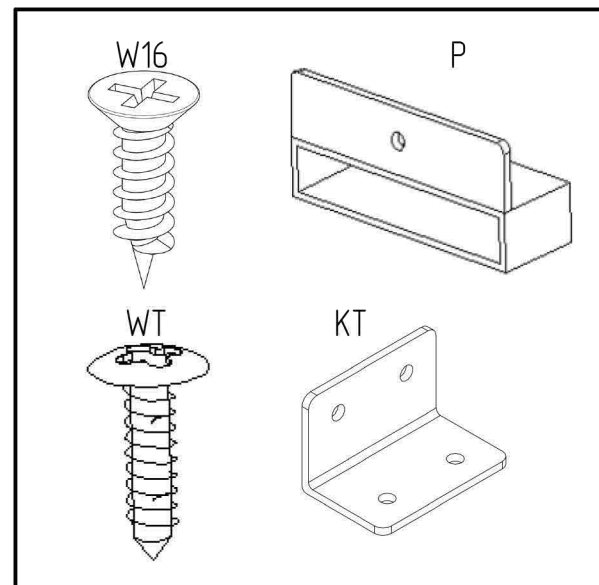
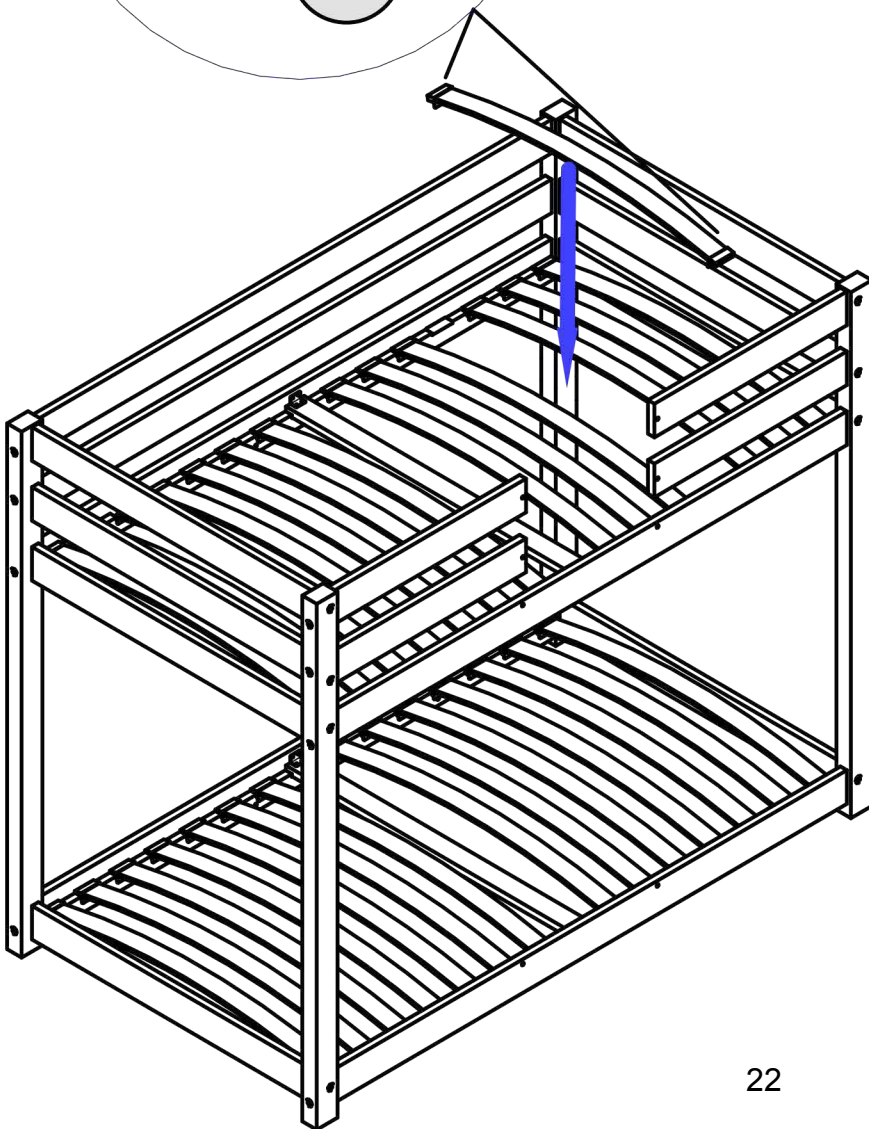
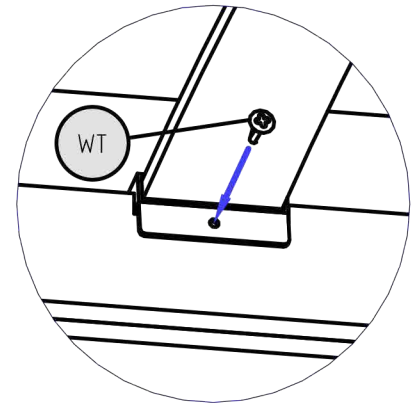
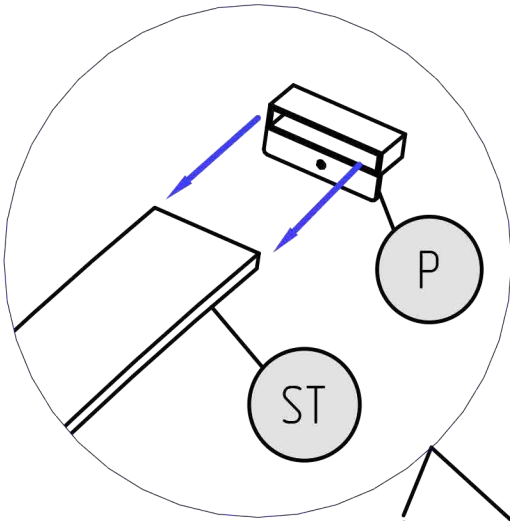
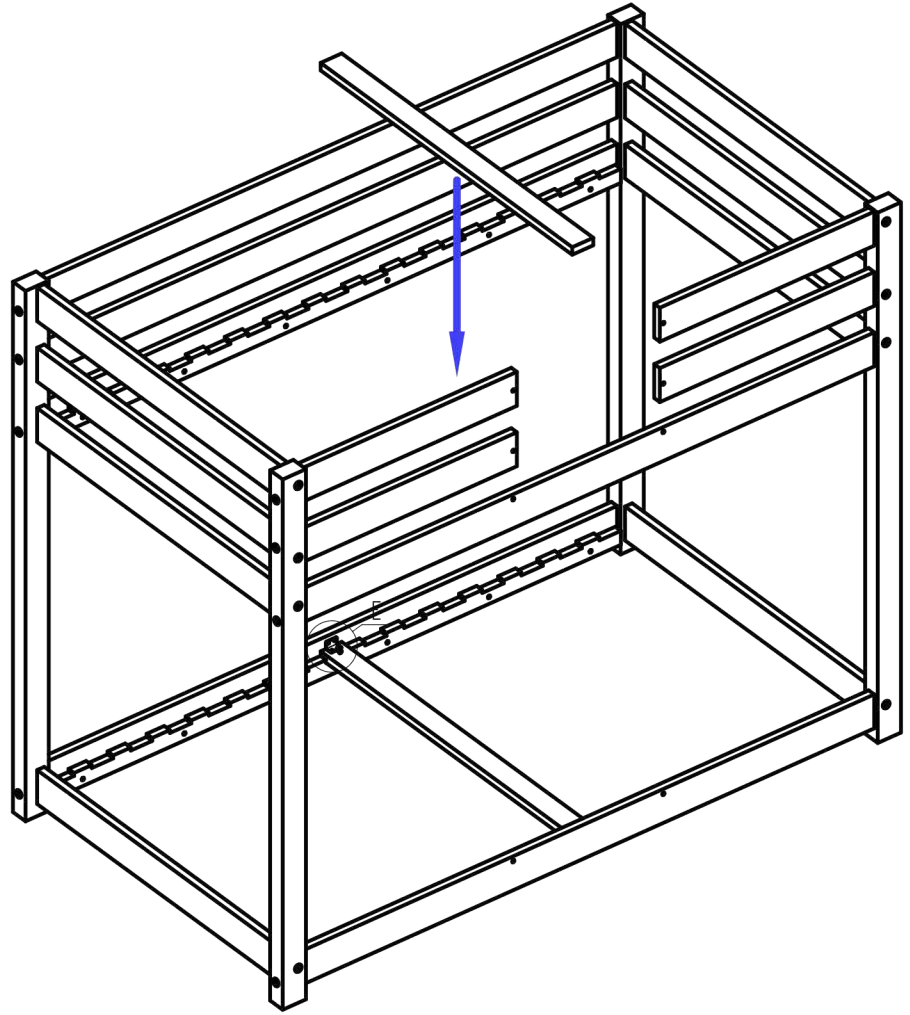
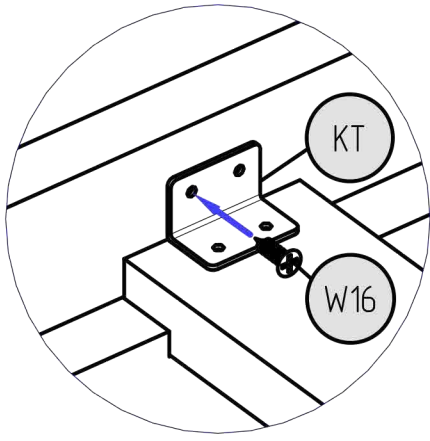
P/WT	
'LENGTH (cm)	'QUANTITY
140	56
160	56
180	56
190	64
200	64

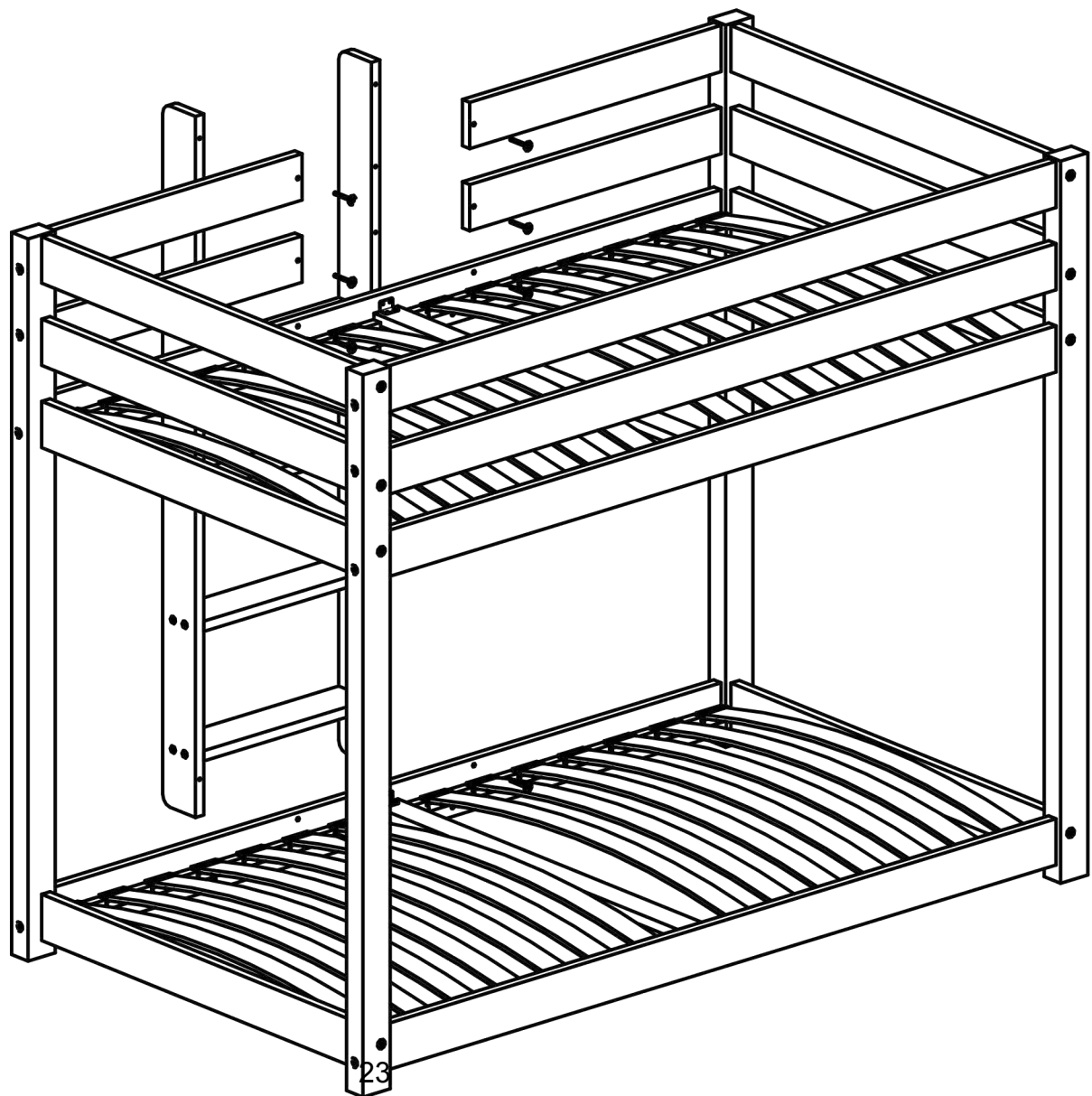
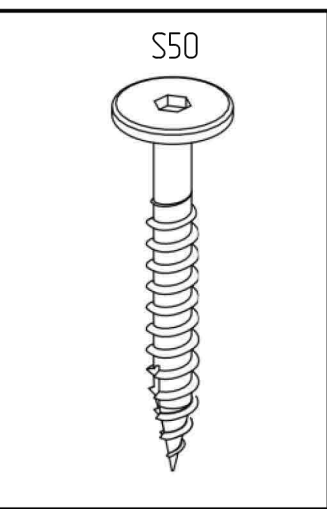
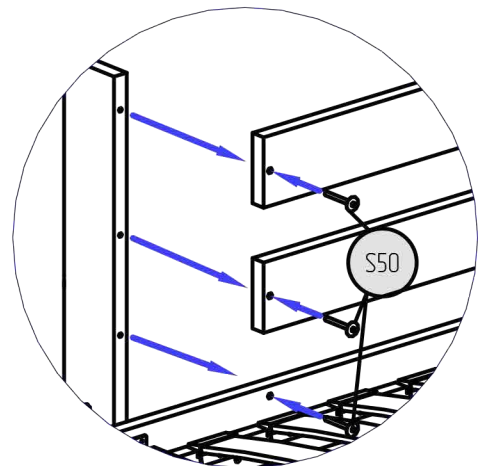
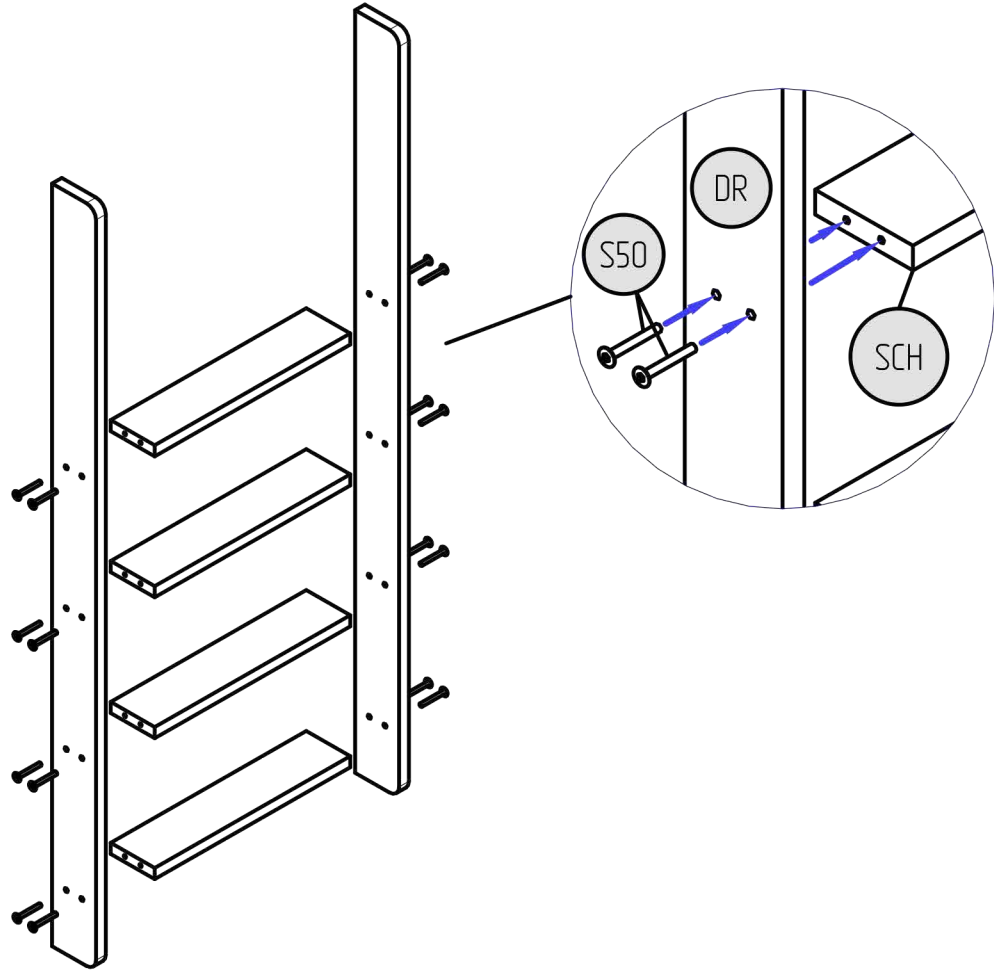
PART	S110	S80	S50	W30	K10	W16	G	KT	INBUS
QUANTITY	16	16	24	24	32	16	4	4	2

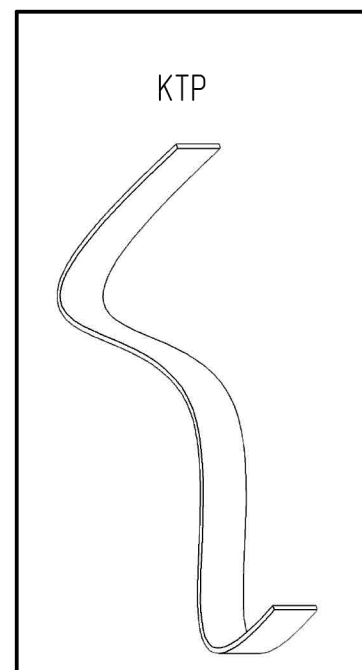
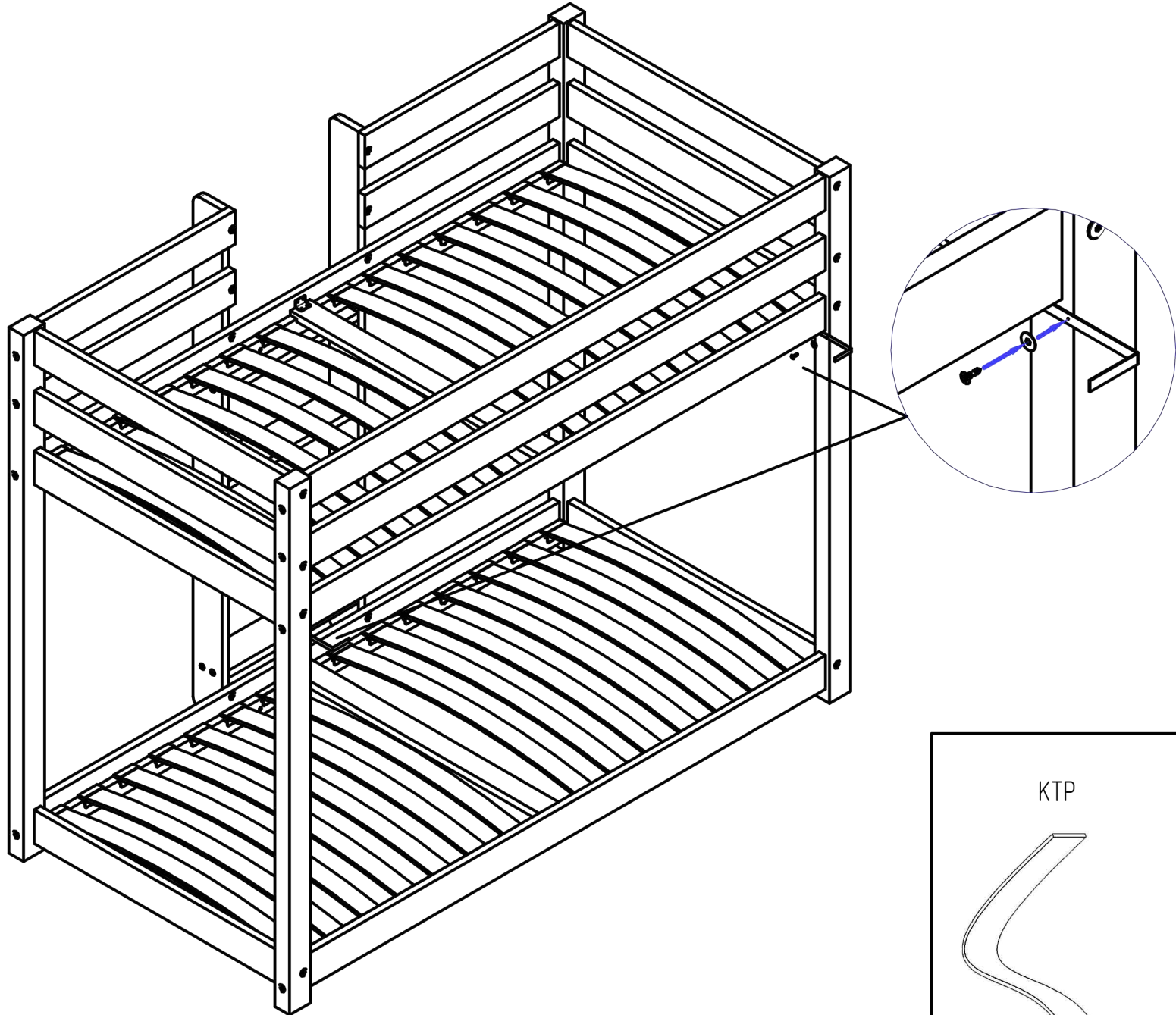






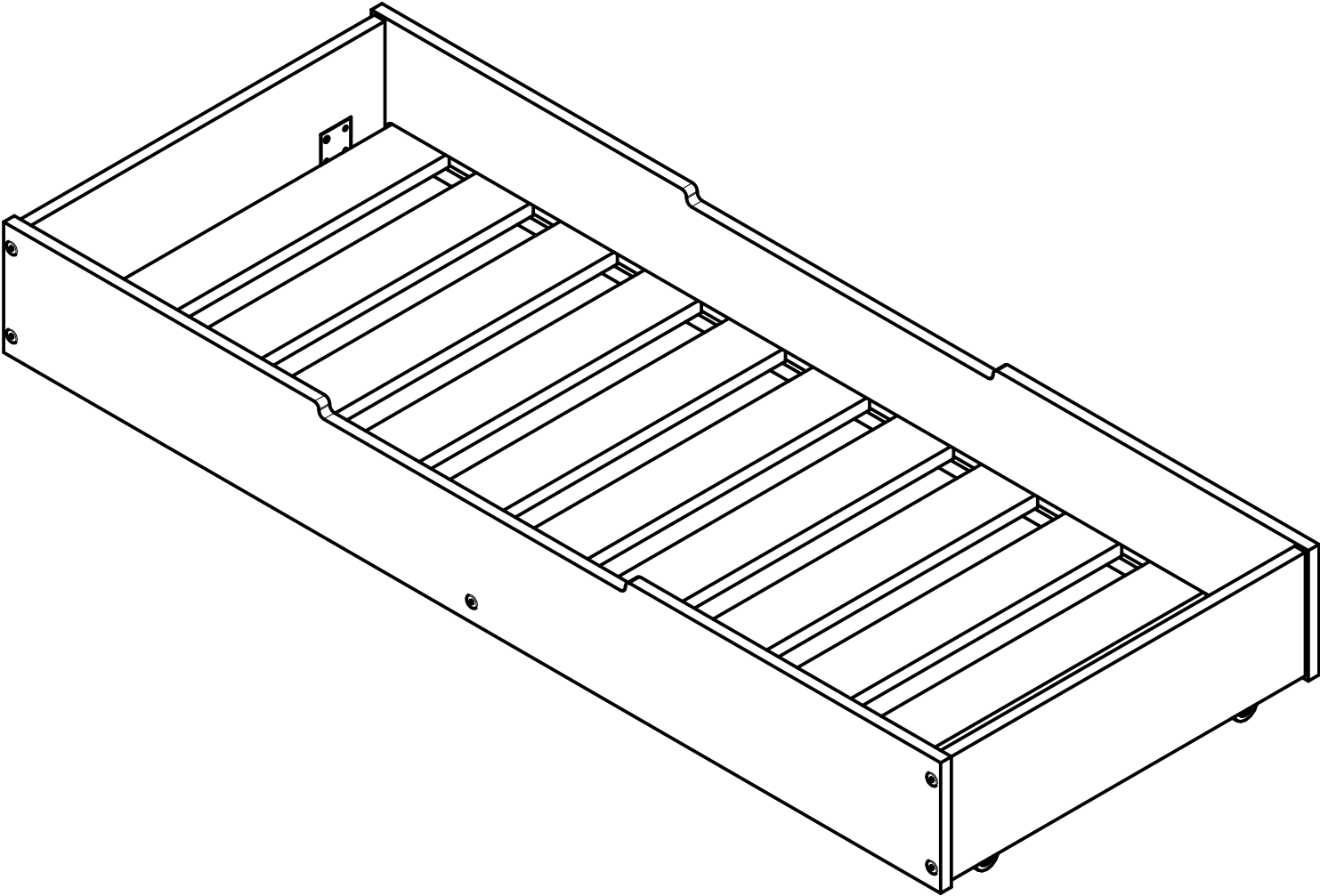




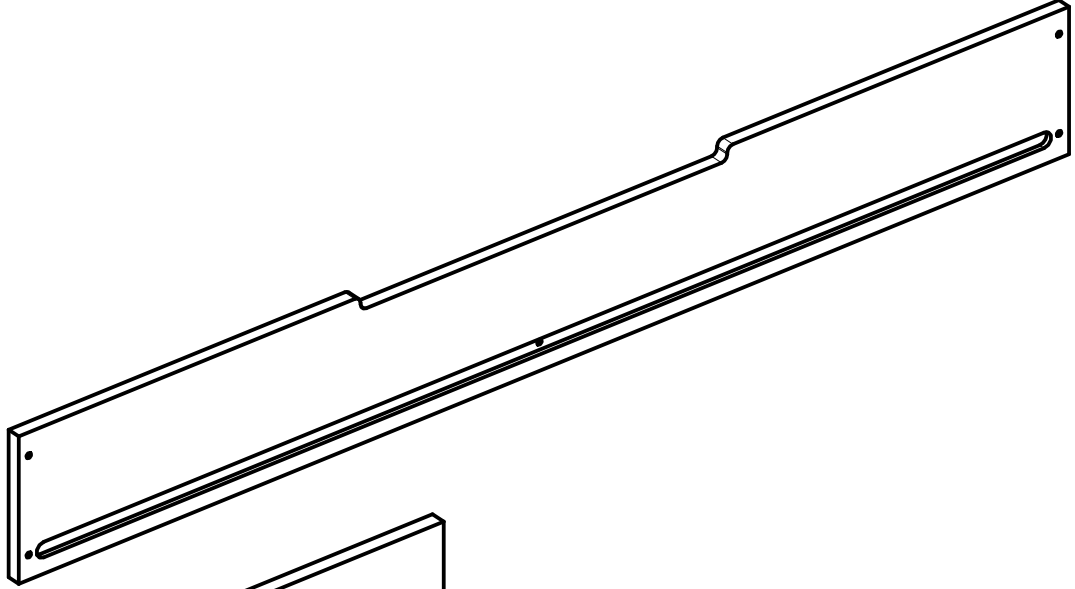


ATTENTION! HIGH BED, THERE IS A RISK OF TIPPING OVER.
THE BED SHOULD BE ATTACHED TO THE WALL WITH ATTACHMENT TAPES.
THE SET DOES NOT HAVE MOUNTING SCREWS TO THE WALL,
YOU SHOULD BUY THE APPROPRIATE SCREW ON YOUR OWN

Drawer



FSZ



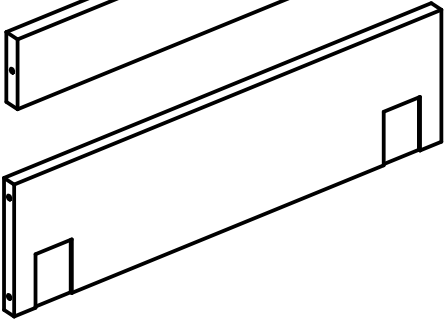
DSZ



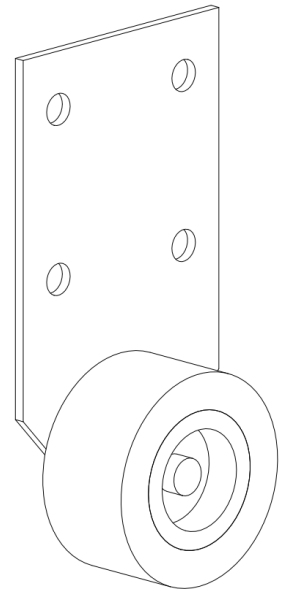
DSZ1



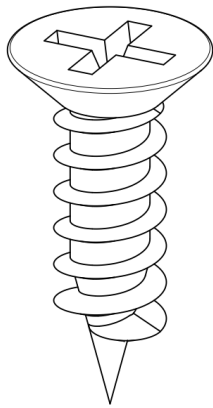
BSZ



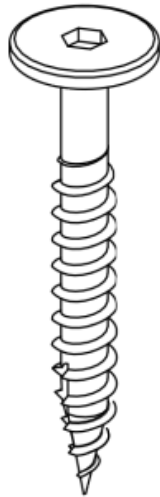
W



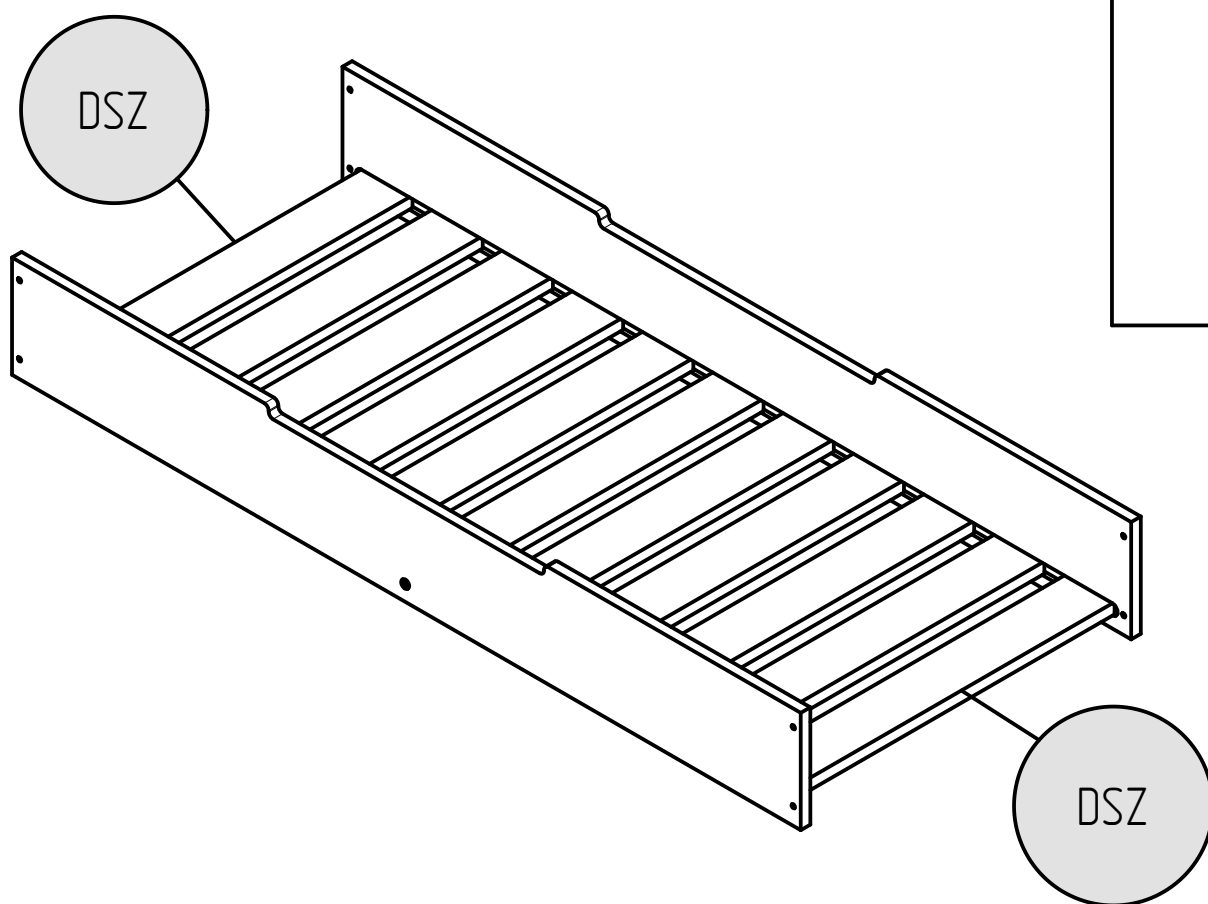
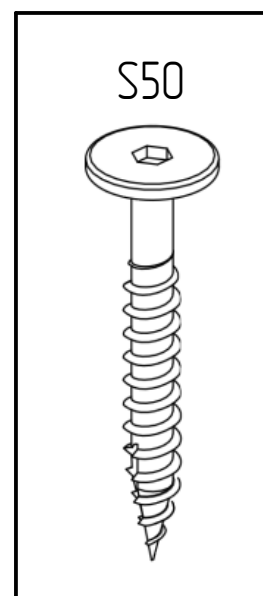
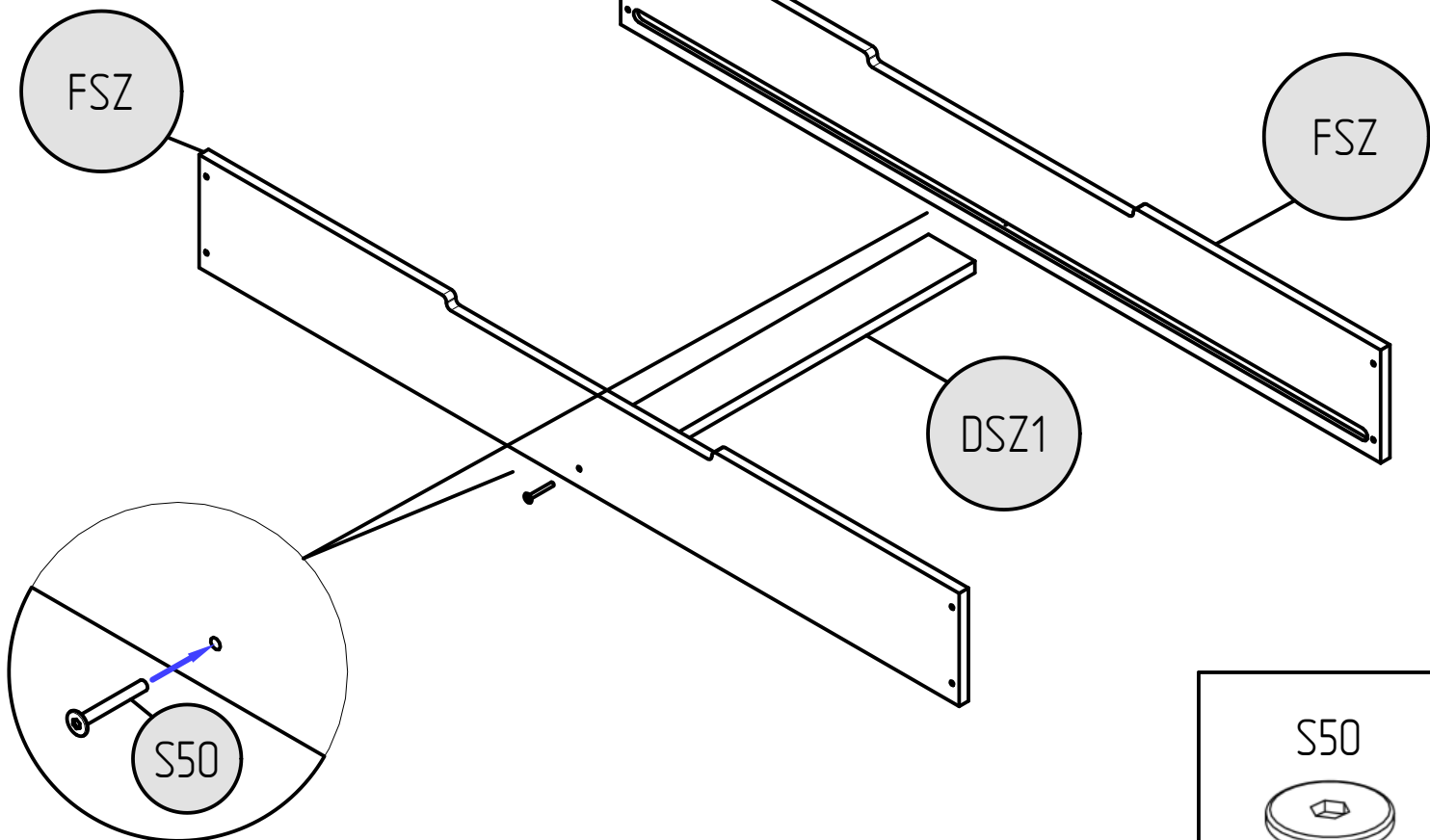
W16

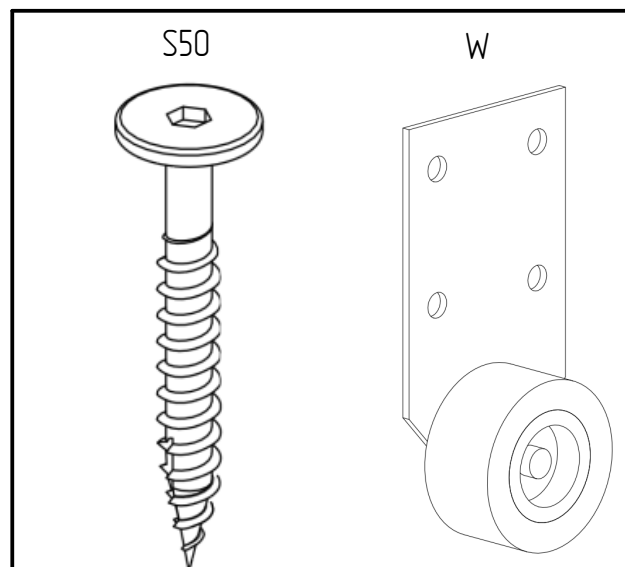
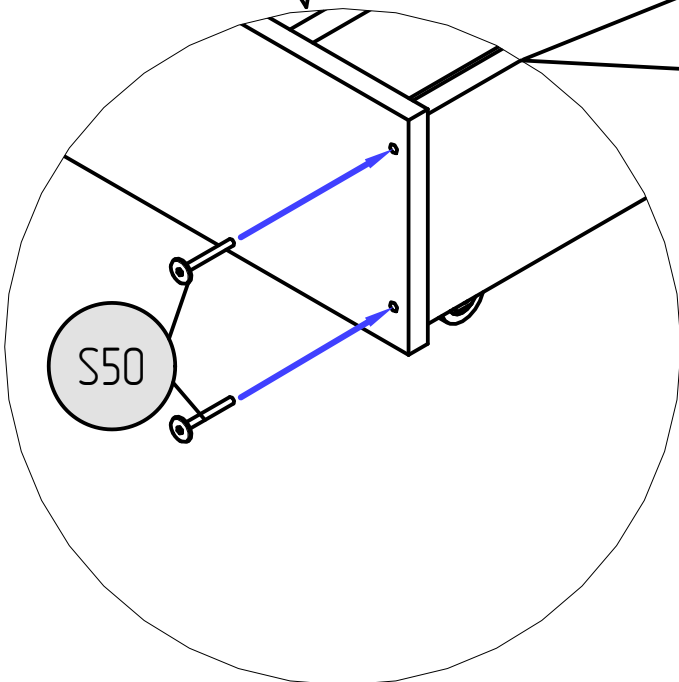
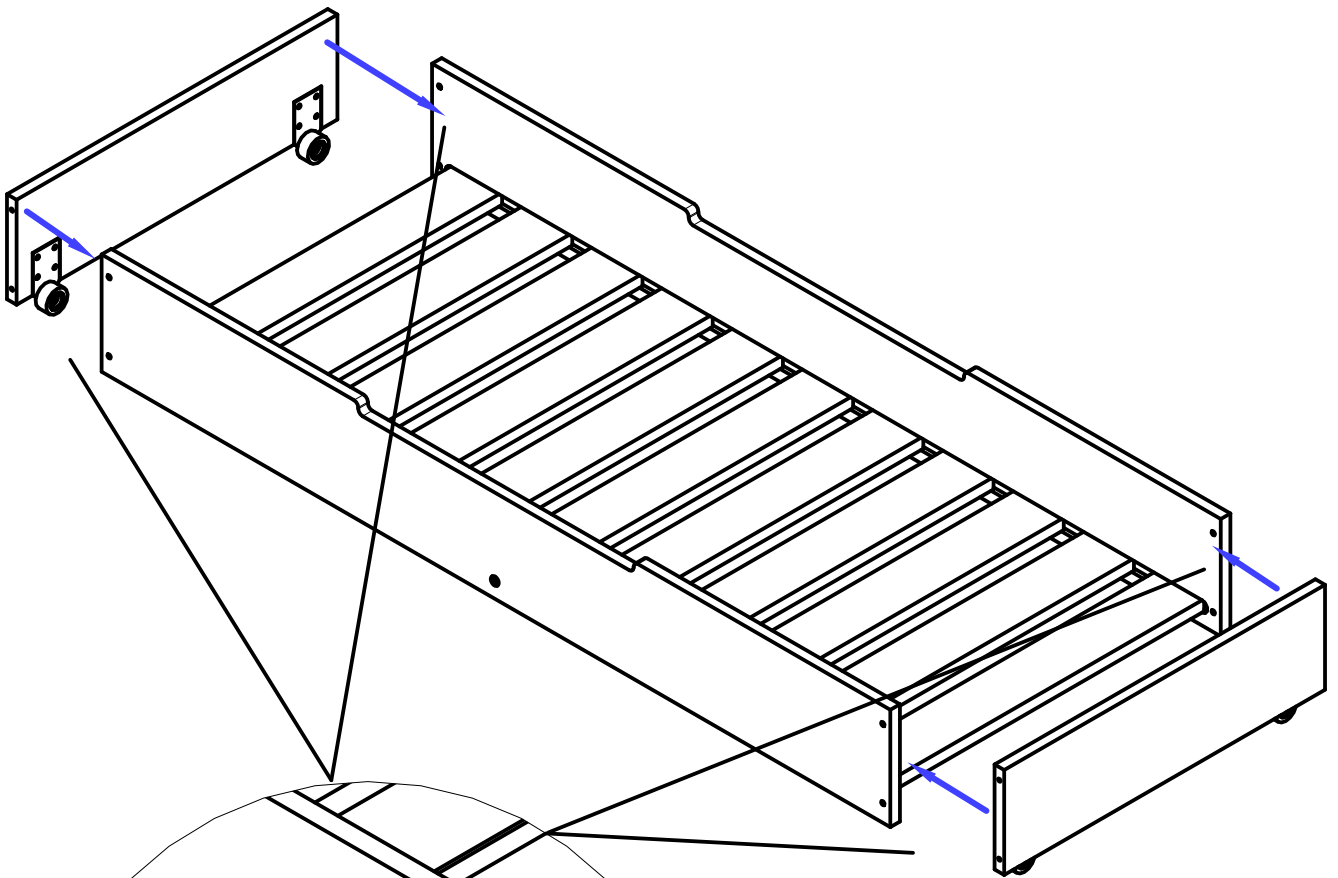
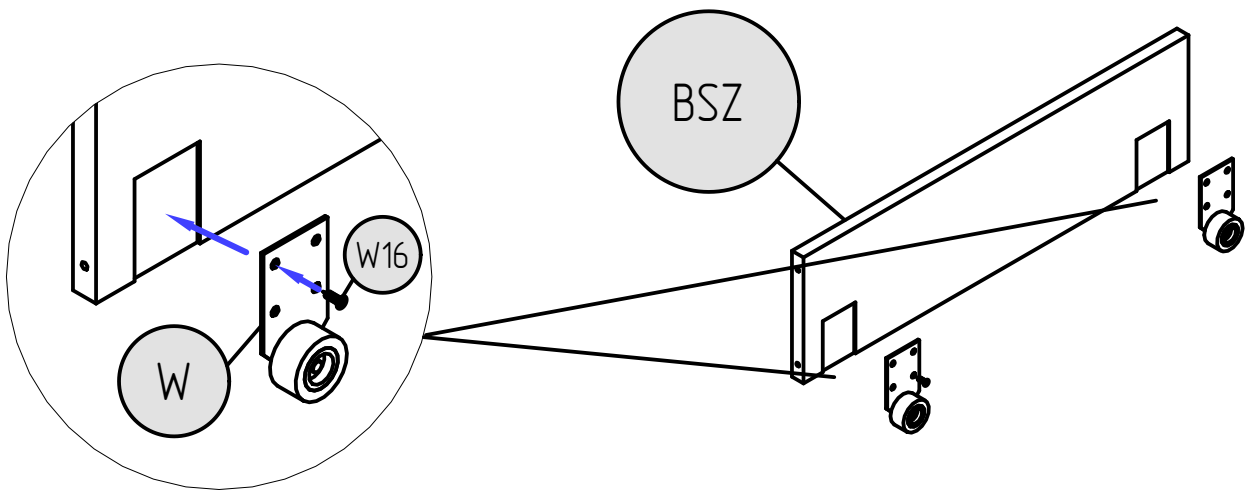


S50



PART	FSZ	DSZ	DSZ1	BSZ	W16	S50	W
QUANTITY	2	10	1	2	16	10	4





Woohoo!

High-fives all around for a job well done.

We hope your little one is over the moon with their new Petit Puk bed. And why not show off all your hard work? Snap a pic and share it with us on Instagram (tag us @petitpuk) or shoot us an email at info@petitpuk.com. We love seeing our creations come to life in your wonderful homes!

Now, before your kid dives in headfirst, here are a few friendly reminders:

- Stick to mattresses between 8-14 cm thick for the perfect fit.
- Beds are for snoozing, not bouncing
- Keep it safe with just one child on the bunk bed.
- Please, no acrobatics - avoid hanging off any parts of the bed.
- Keep things tidy with a gentle wipe-down of wooden and plastic parts using a dry cloth and mild cleaner.

Warranty

We've got your back with a 2-year warranty on bed parts under normal use. If you ever need a hand or have any questions, don't hesitate to reach out to Team Petit Puk. Just send us a message with your name and order number, along with images of the situation.