

# Assembly Manual **PETIT PUK** for **MARANT**



## **Congratulations with your PETIT PUK BED!**

Now it's assembly time. Please make sure to check these elements prior to starting:

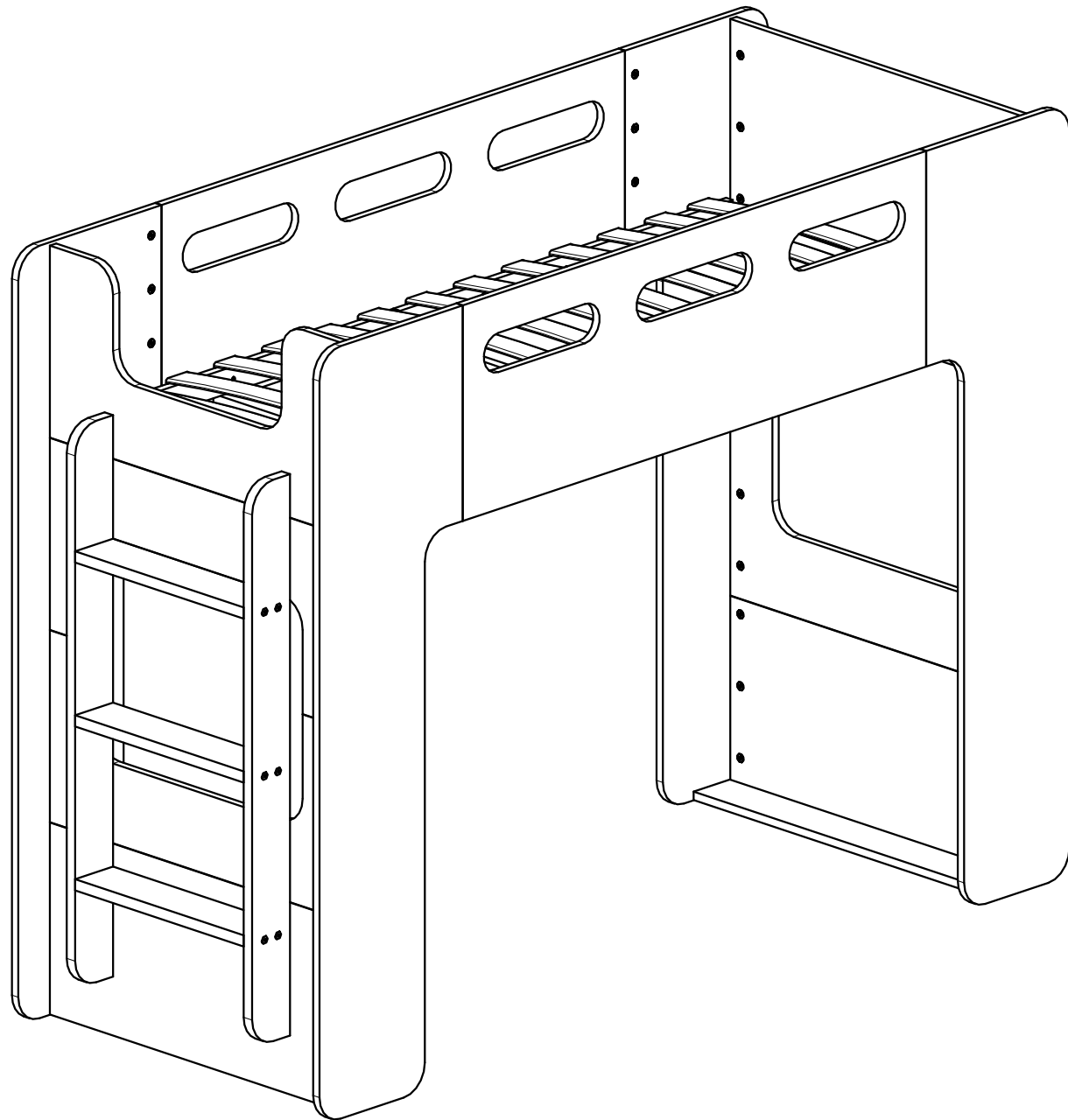
- ♥ is everything complete?
- ♥ are all pieces in good shape?
- ♥ good spirits and perhaps a partner in crime in your presence?
- ♥ ready to take a photo of your great work afterwards, to share it with us?
- ♥ ticked all boxes with yes? Ready, steady, gooo!

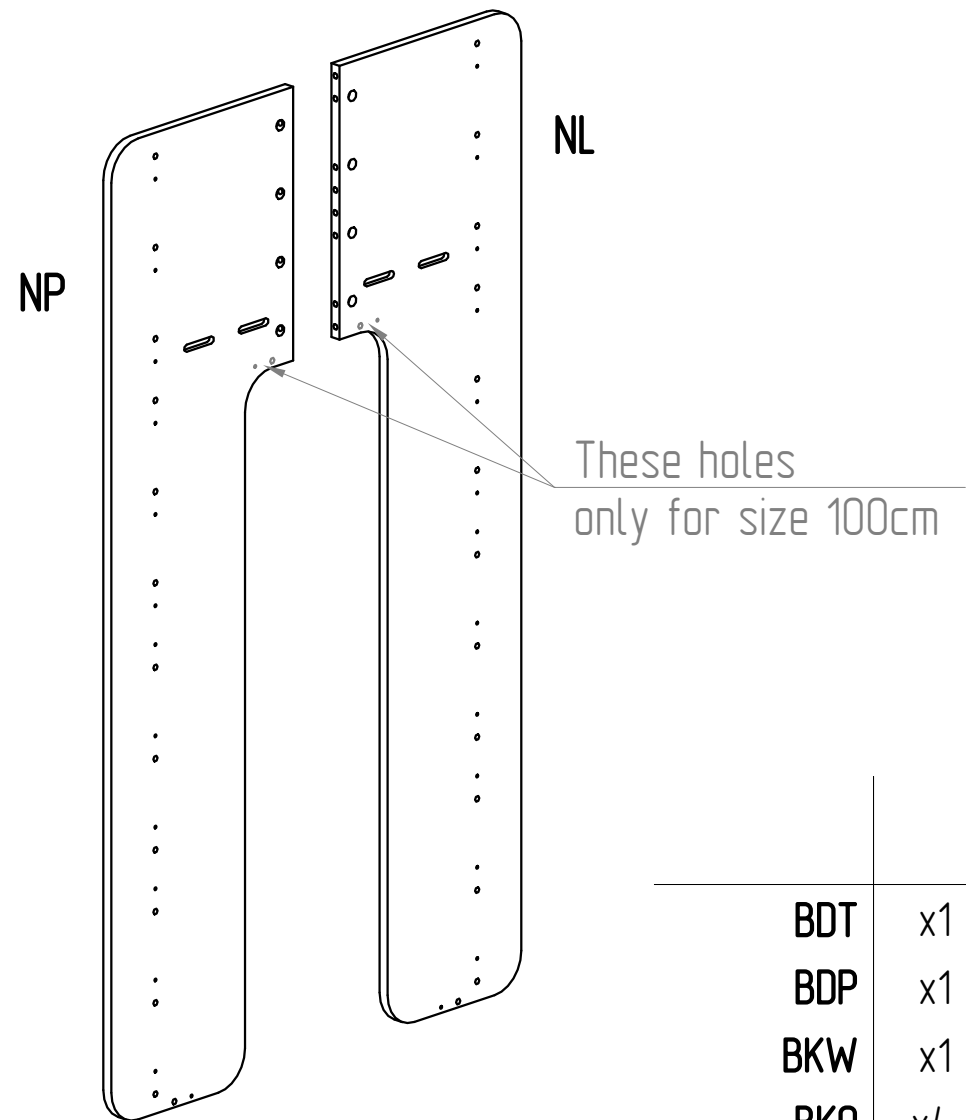
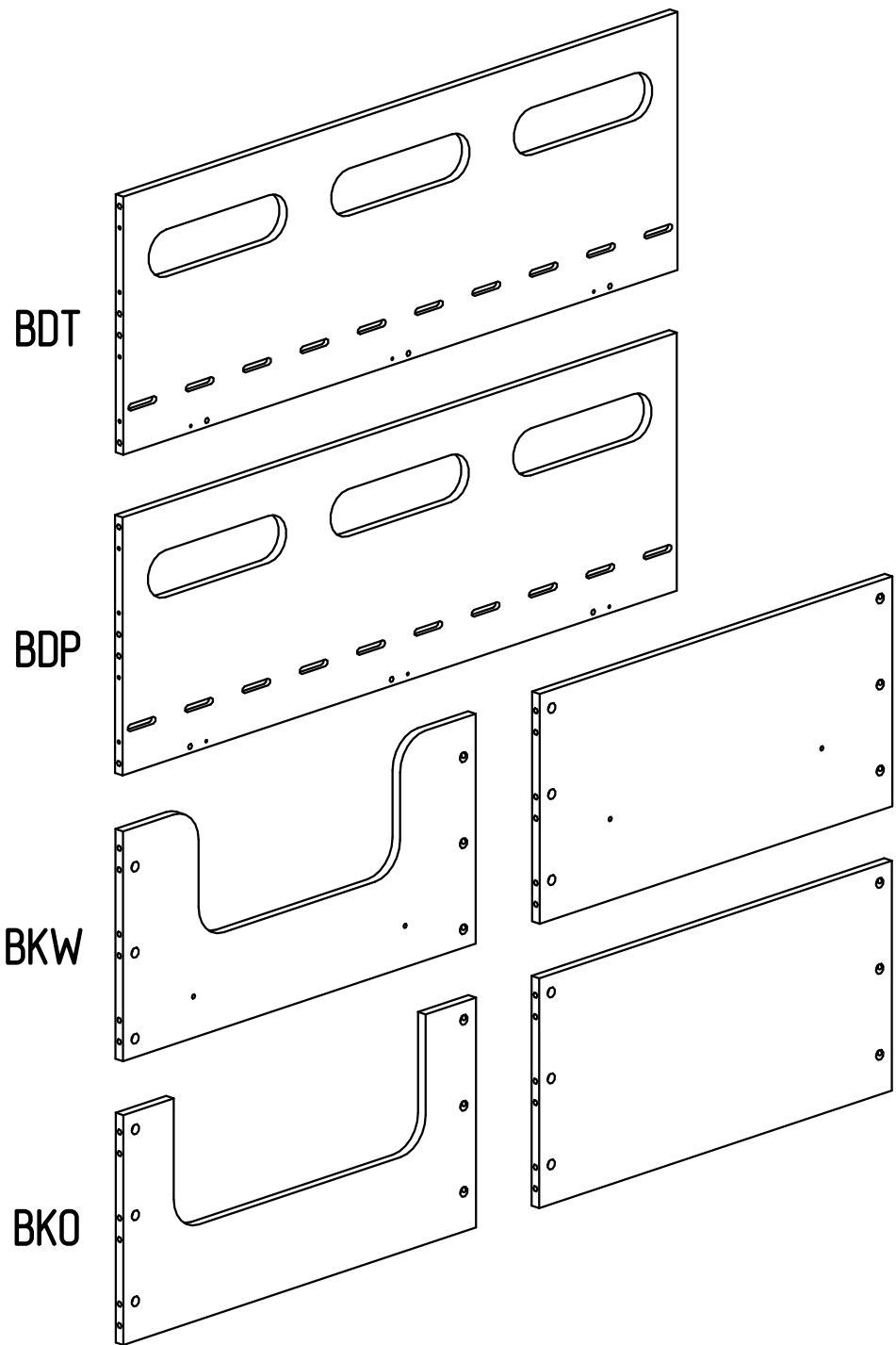
## **PS. A tip**

You will find small green glue tubes with EU standards. Just slide a small amount of glue into the holes to receive the wood dowels. Glue is only necessary at the level of beveled wood stud assemblies for perfect stability. It is not necessary to put glue on the bed base which would prevent you from dismantling the bed afterwards.

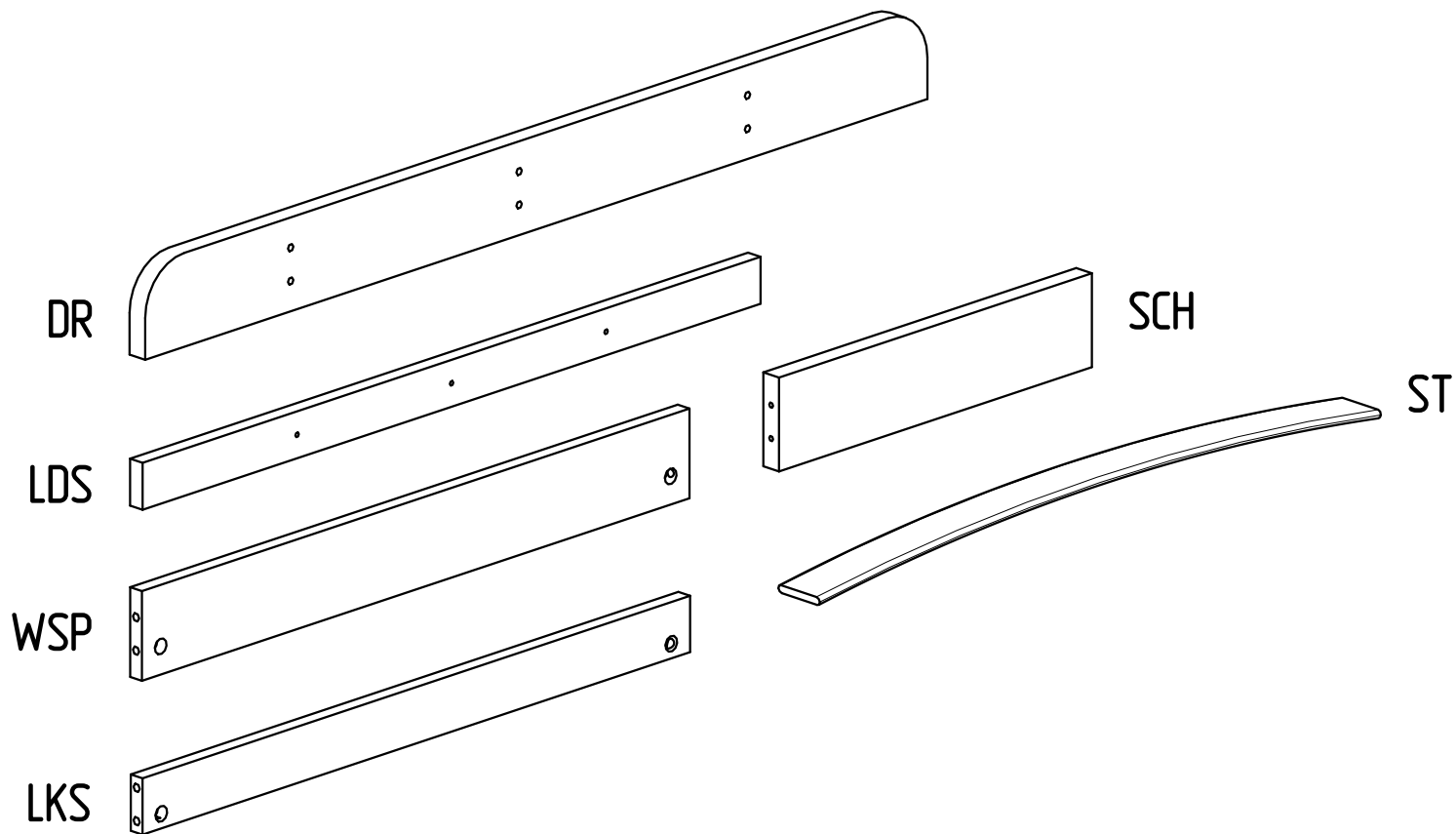
**PETIT  
♥ PUK ♥**

[www.petitpuk.com](http://www.petitpuk.com) f [petitpuk](#)  [petitpuk](#)



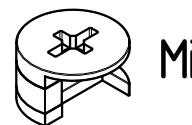
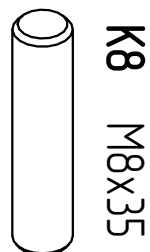
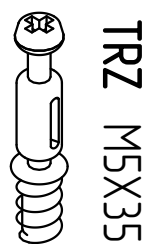
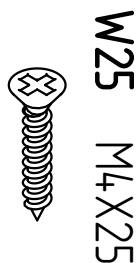
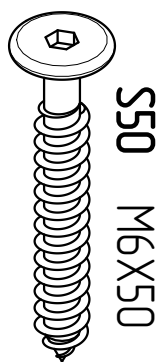


BDT	x1
BDP	x1
BKW	x1
BKO	x4
BKZ	x1
BKP	x2
NP	x2
NL	x2



DR	x2
LDS	x4
WSP	x2
LKS*	x3/x5
SCH	x3
ST	x12-16
NP	x2
NL	x2

\*5x LKS – only for size 100

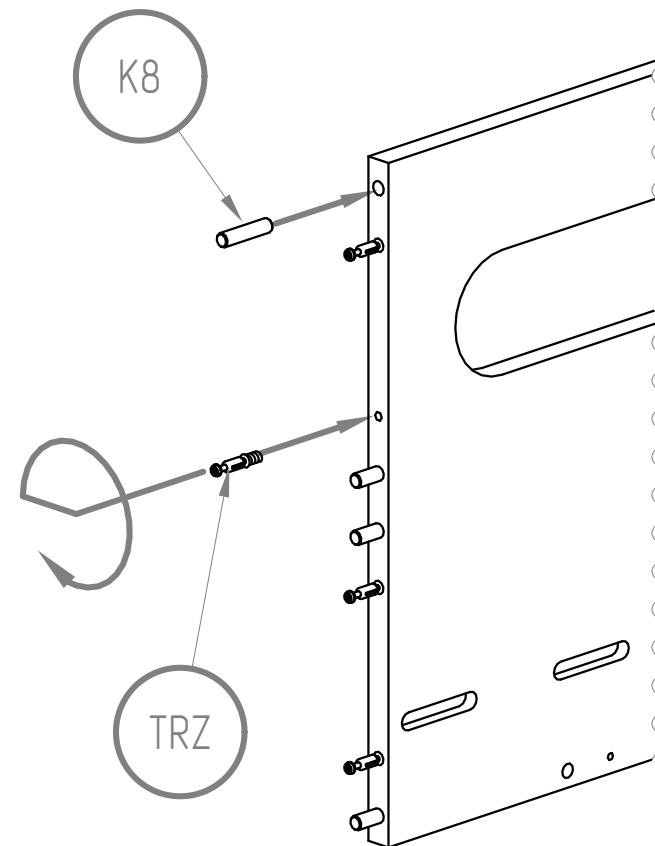
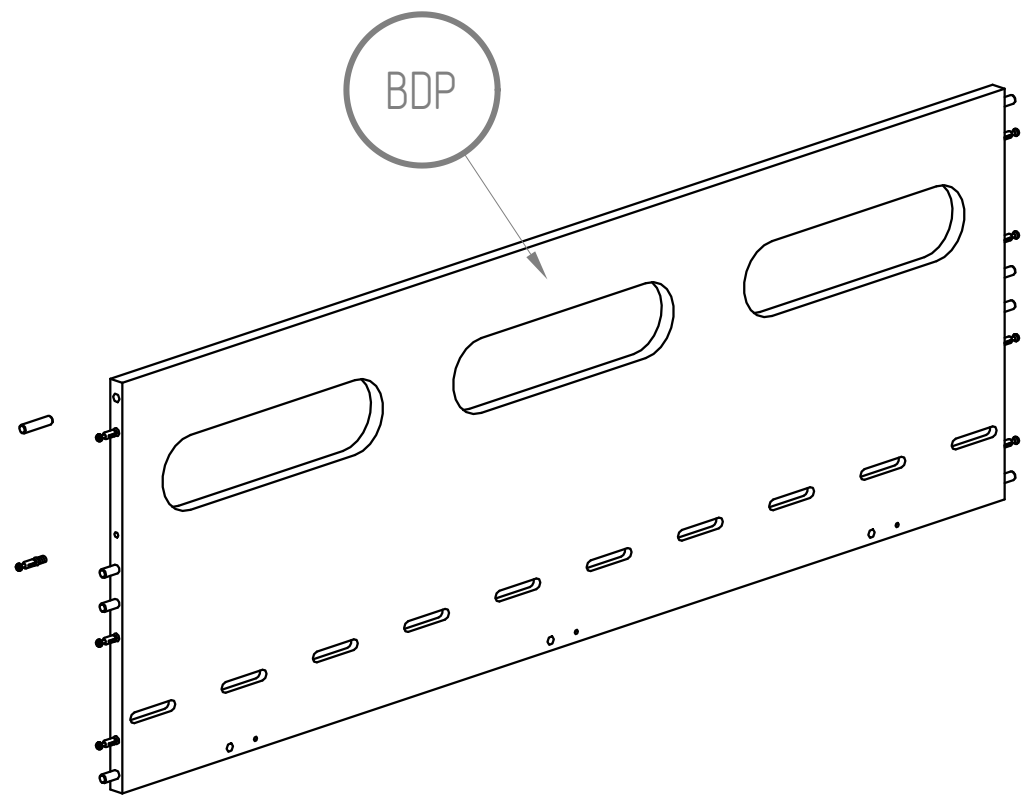
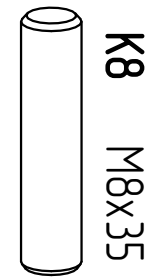


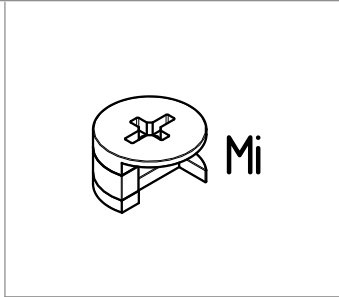
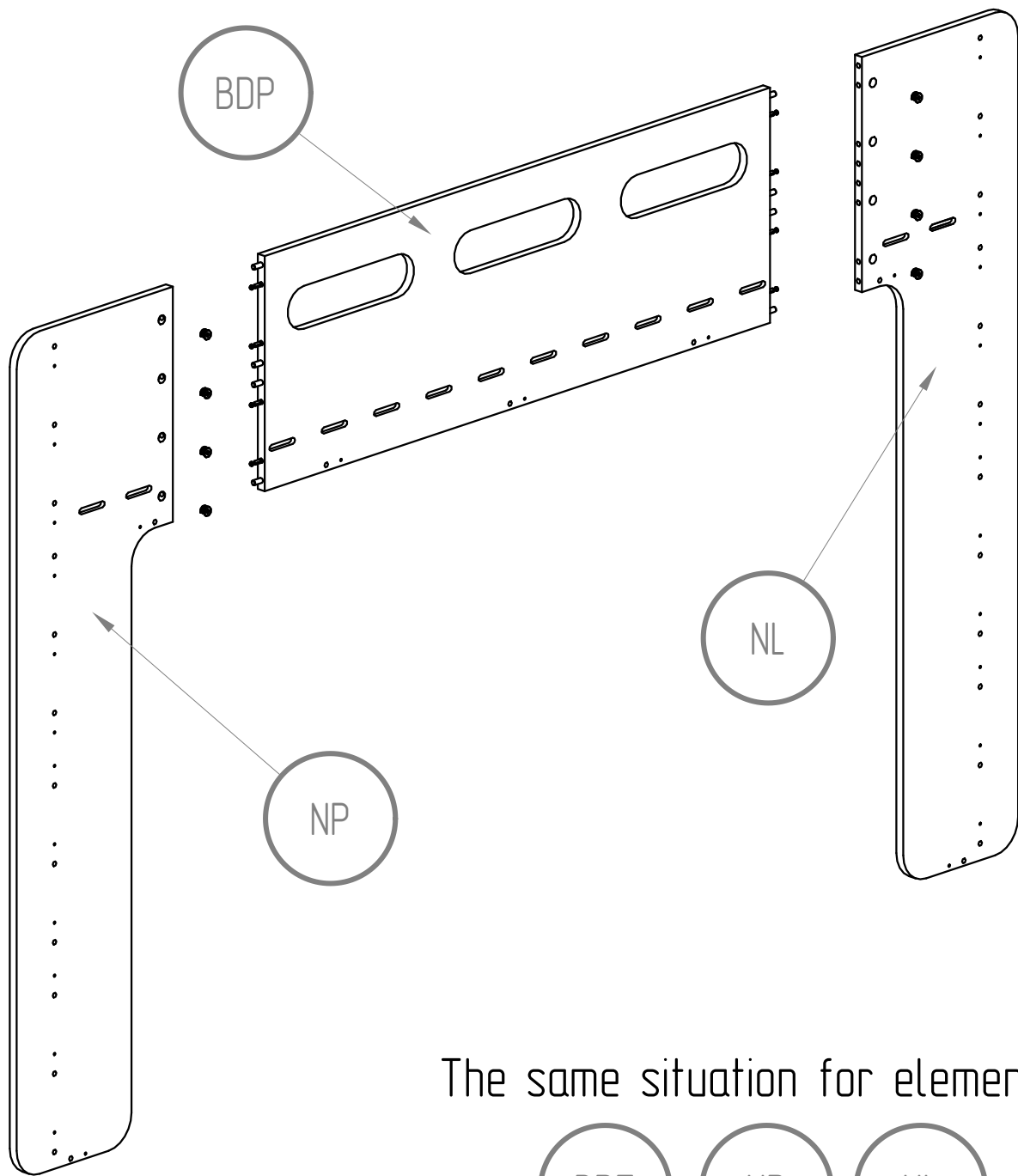
4

SCREWS	
S50	x16
W25	x12
TRZ	x74
K8	x74
Mi	x74

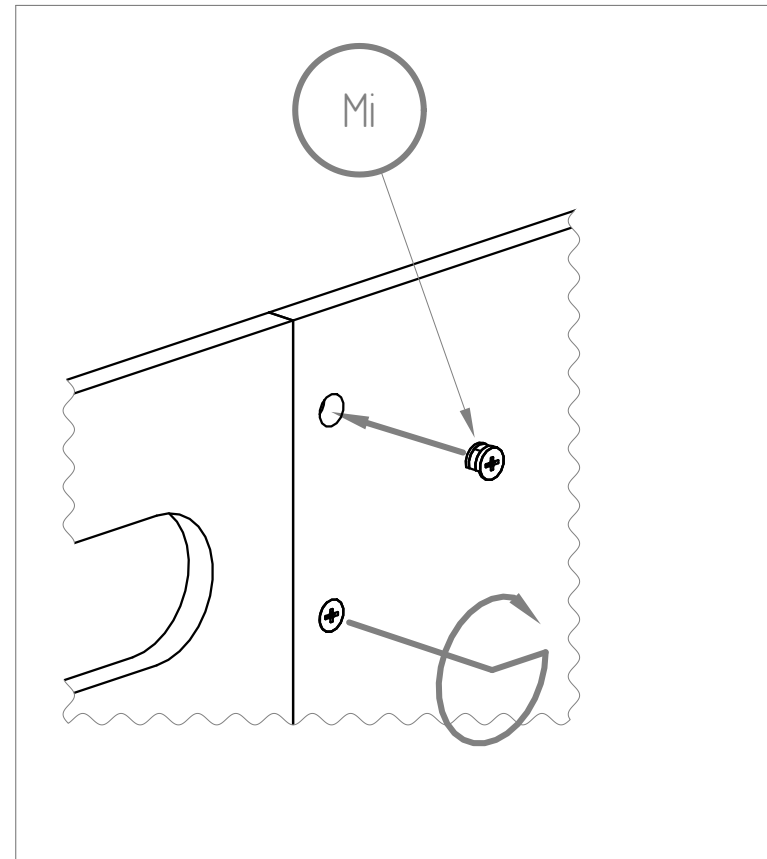
The same situation for element

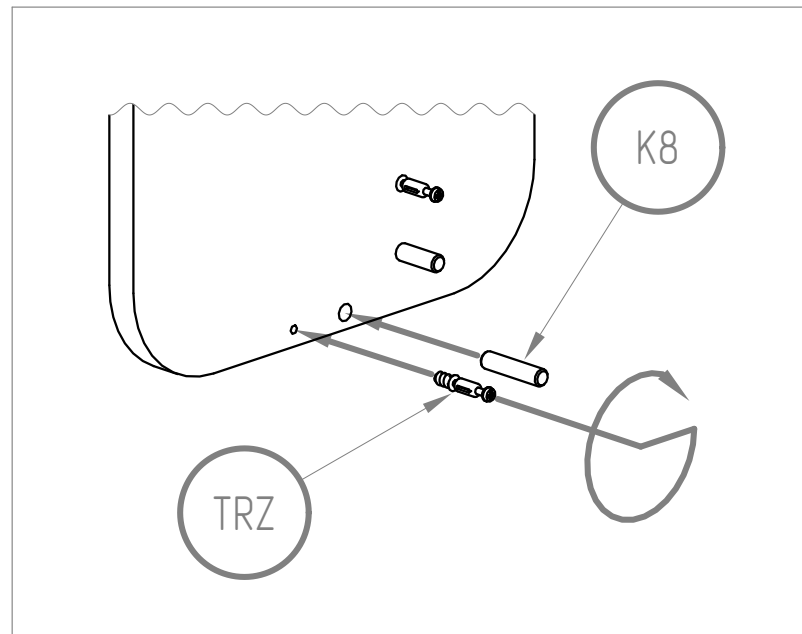
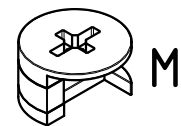
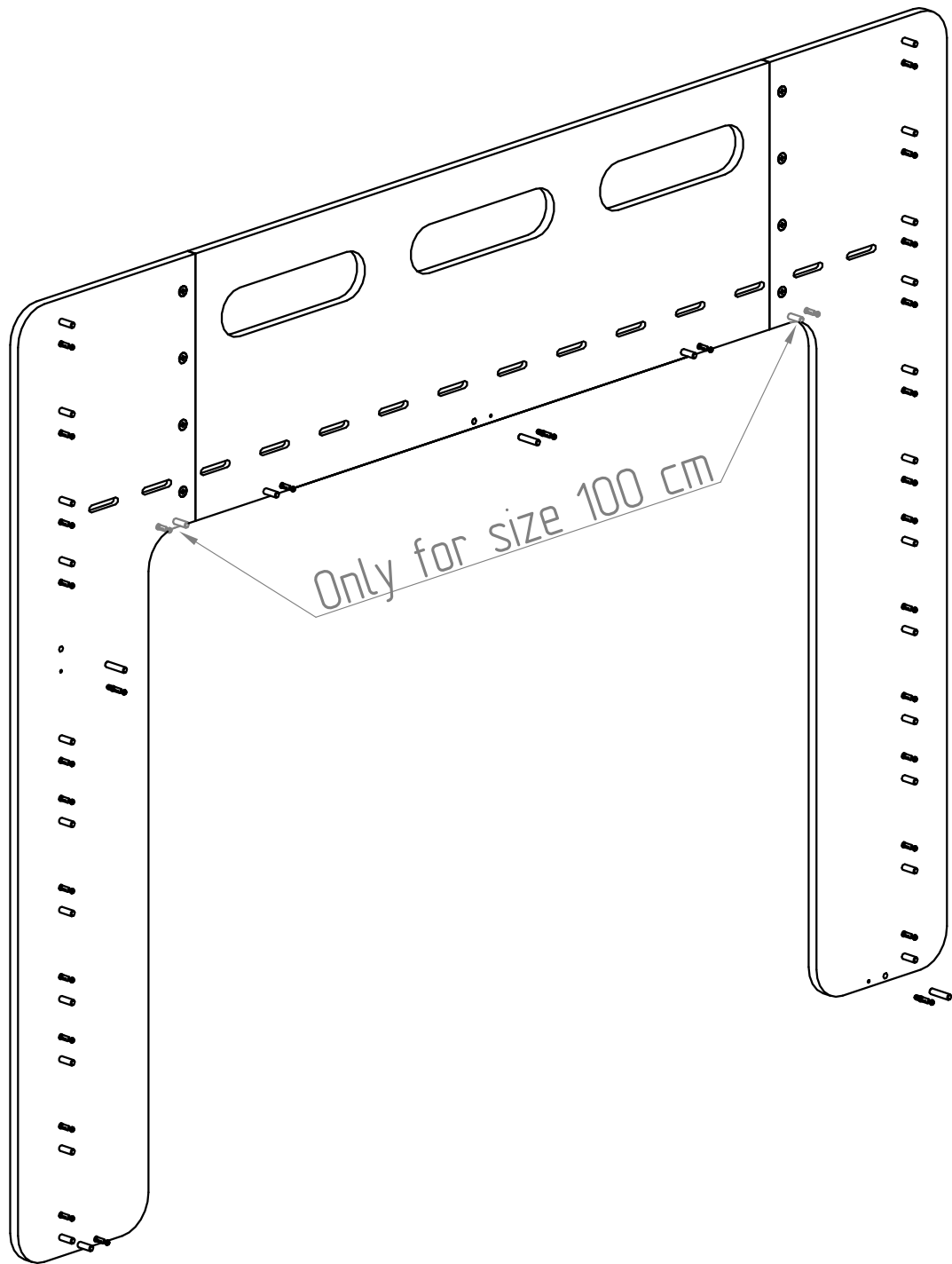
BDT

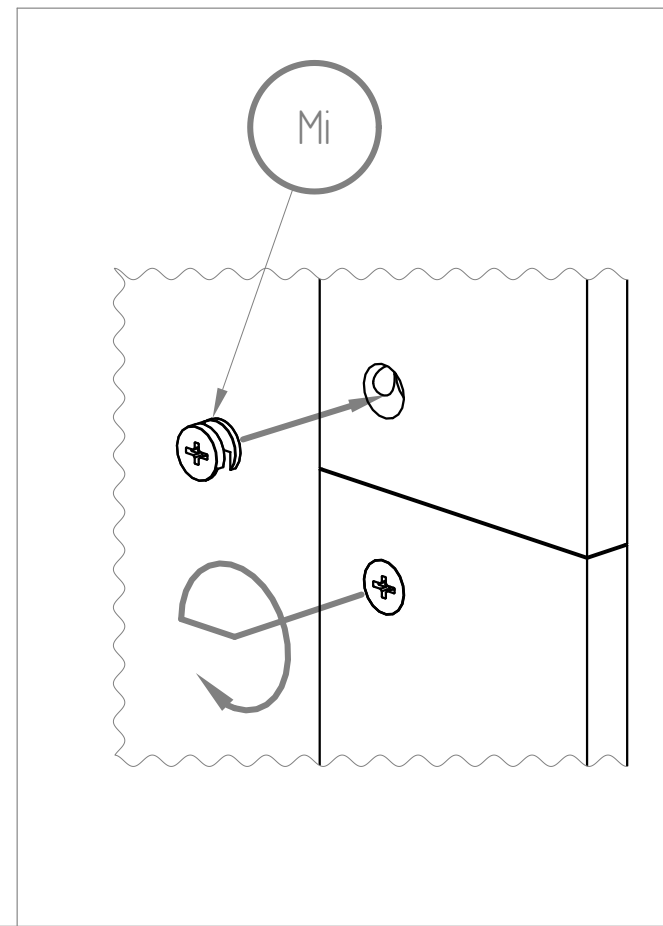
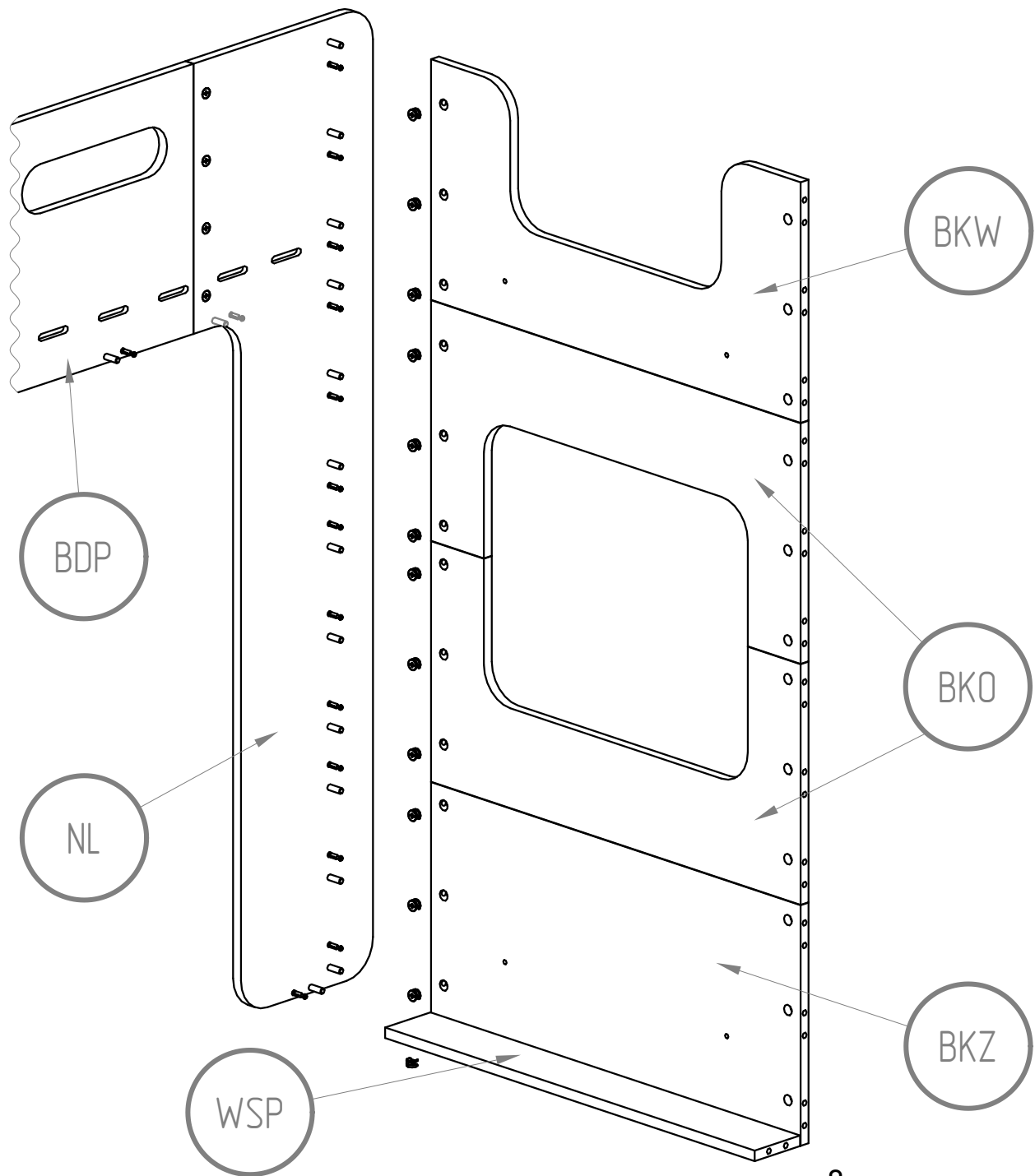




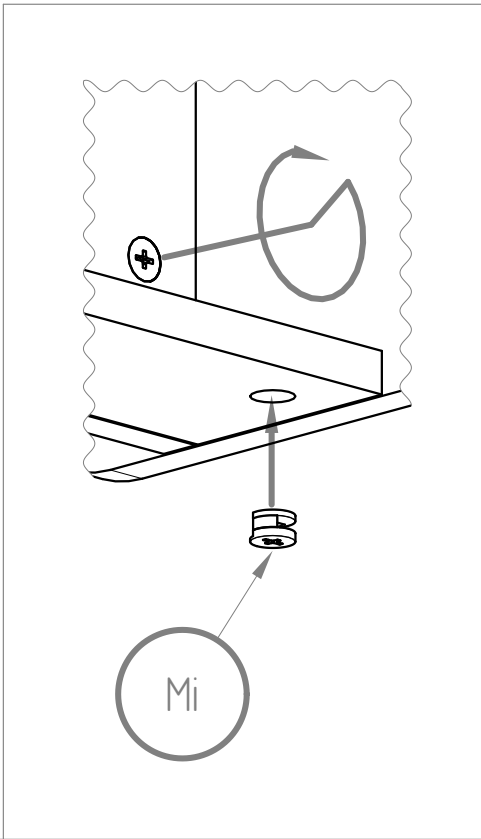
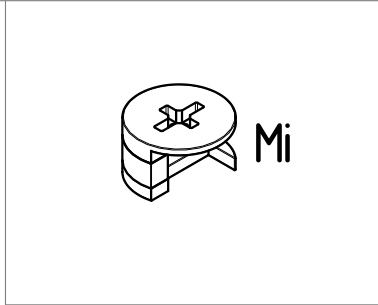
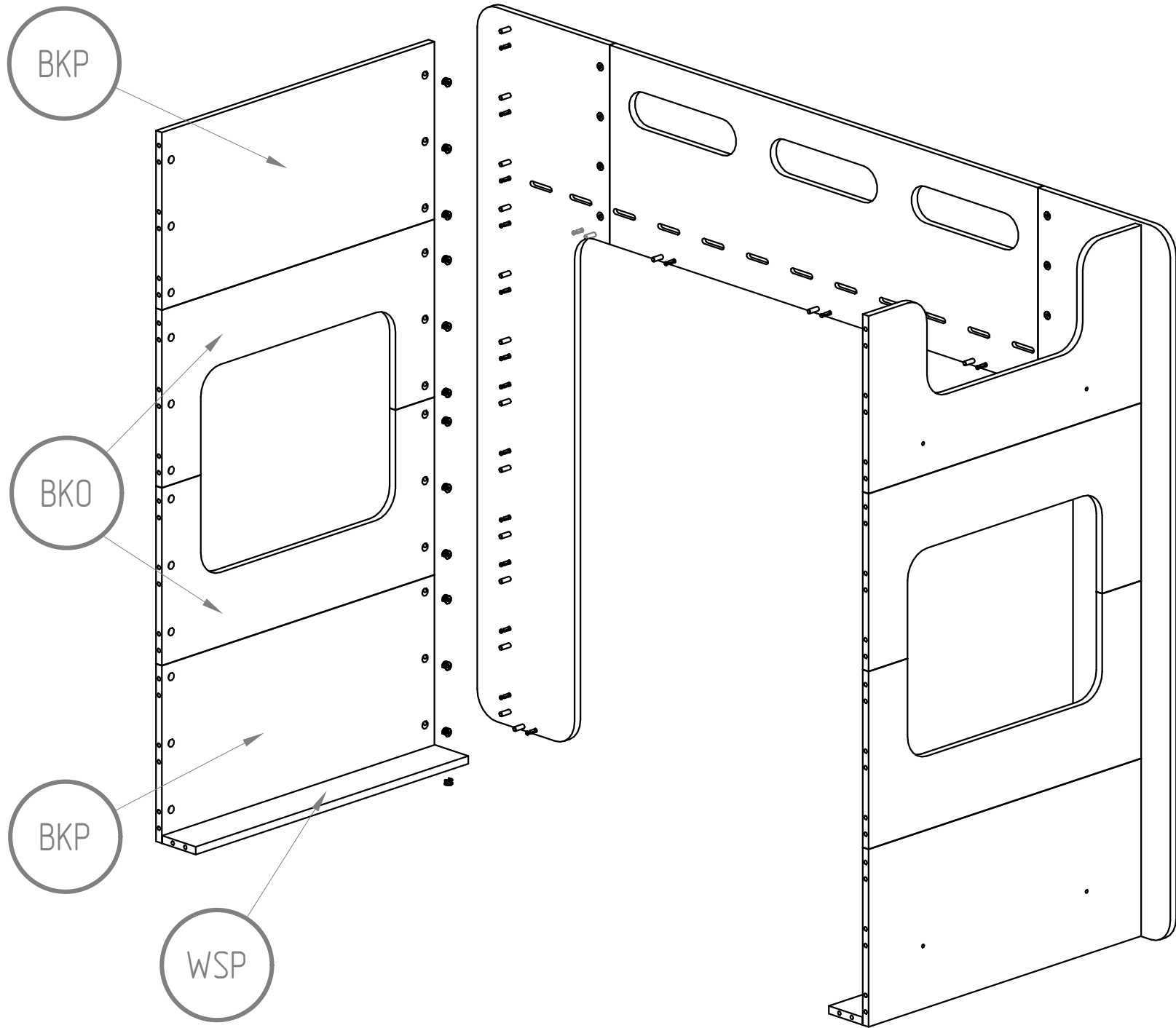
The same situation for elements

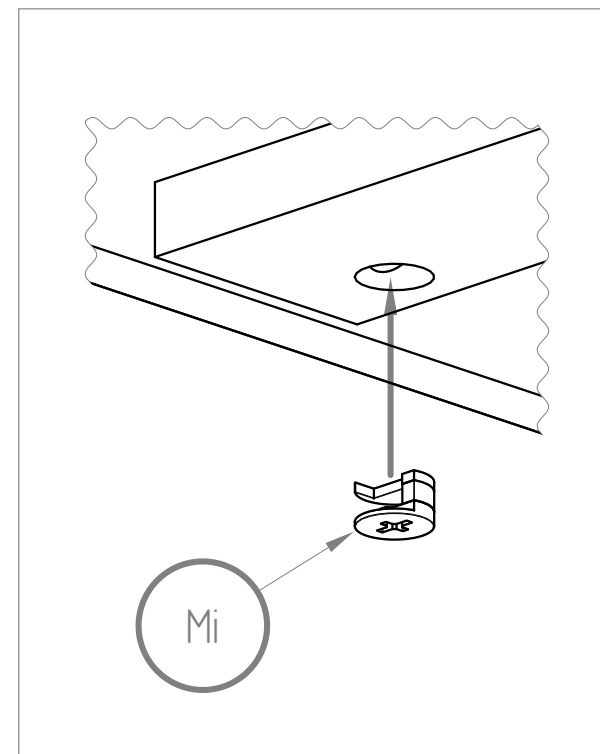
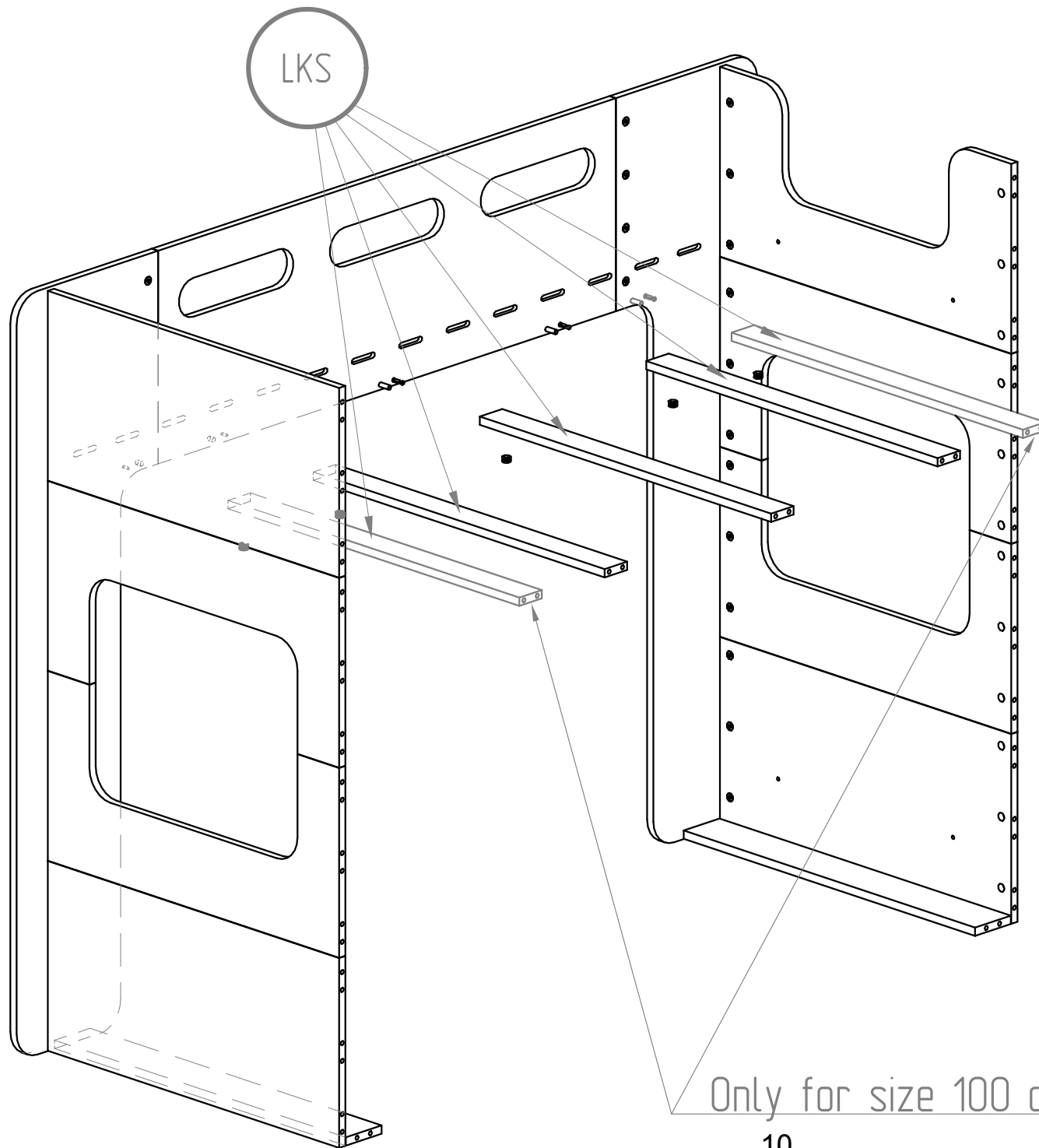


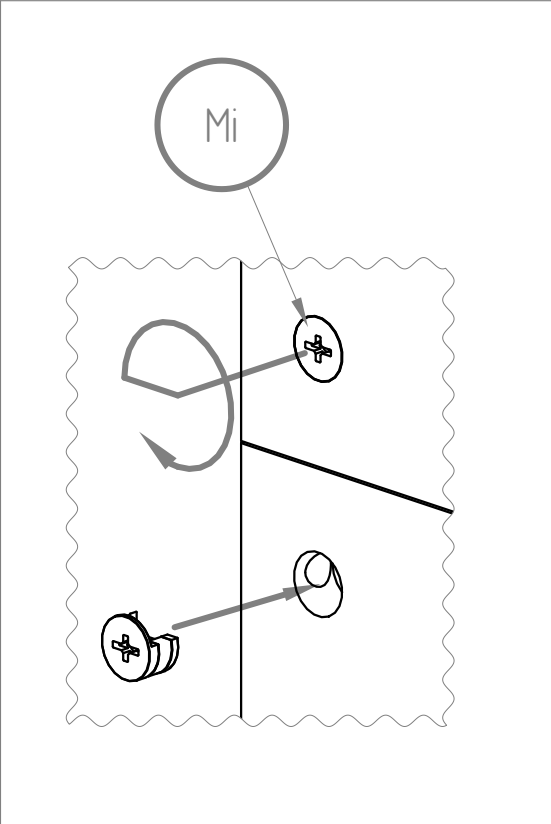
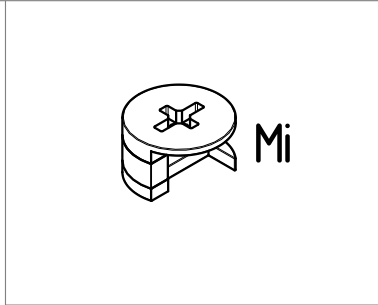
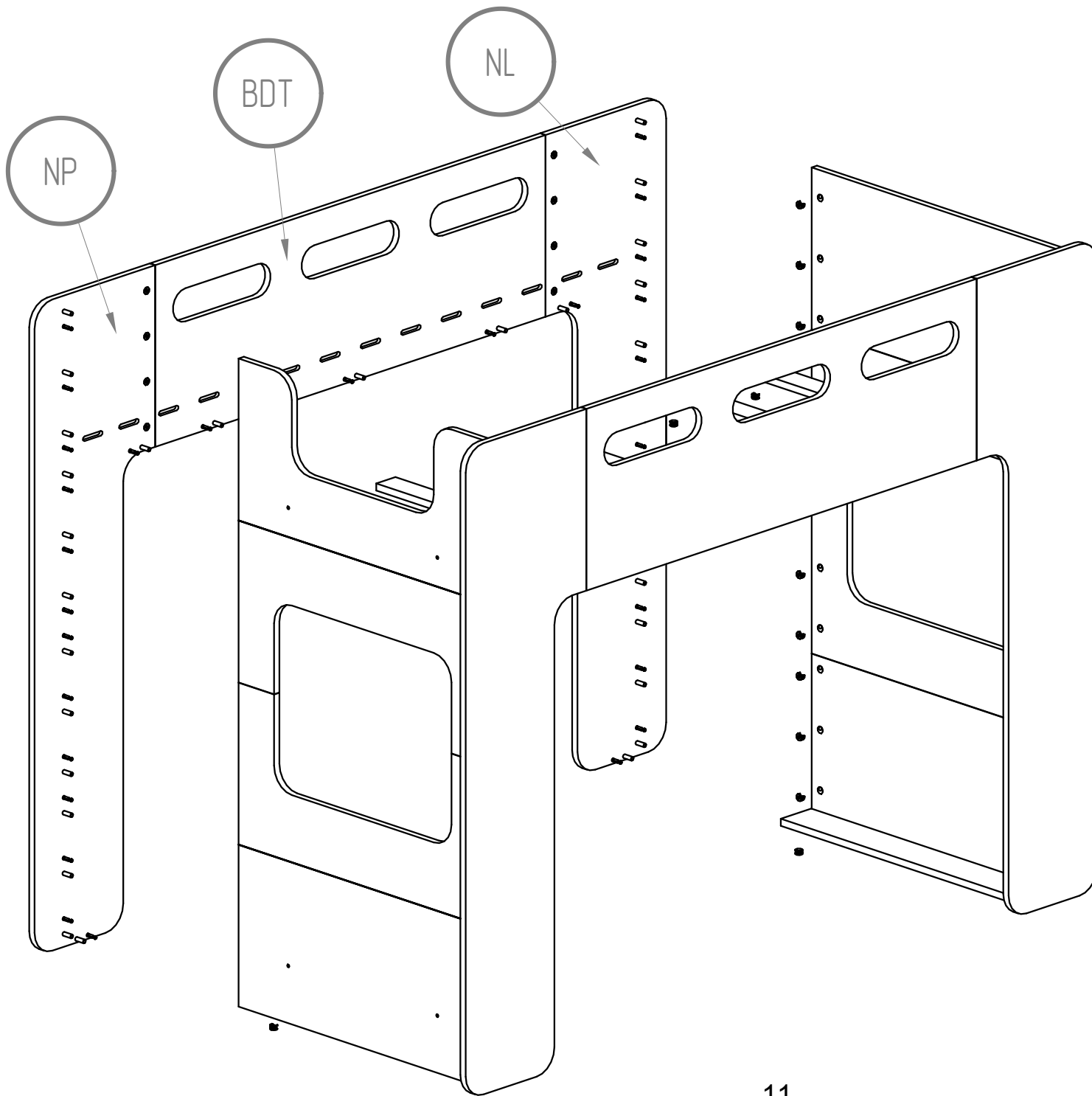


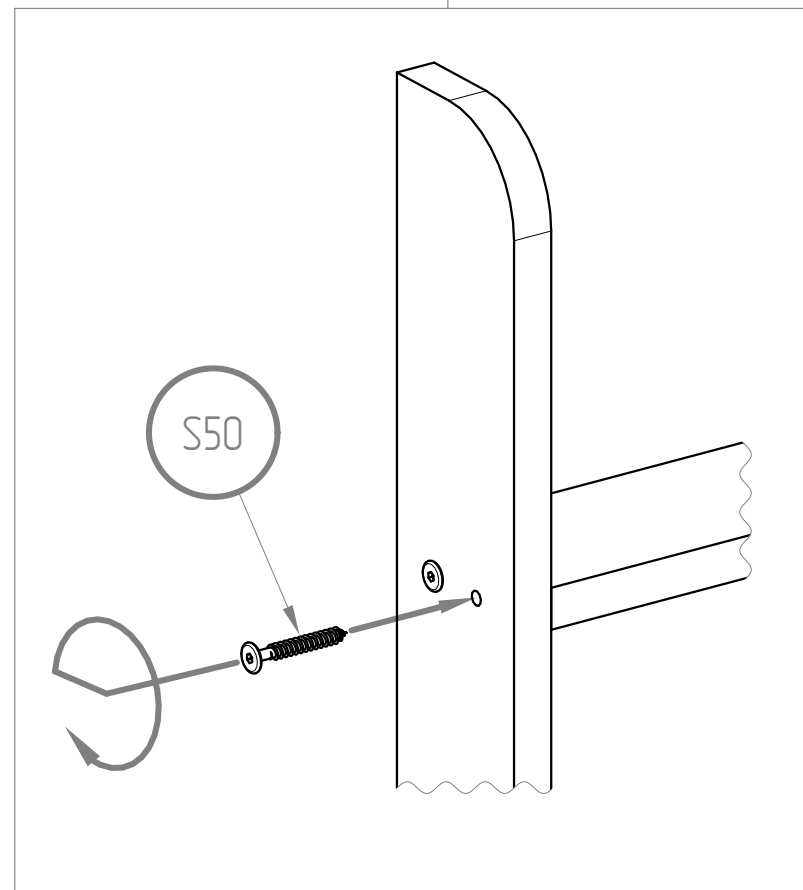
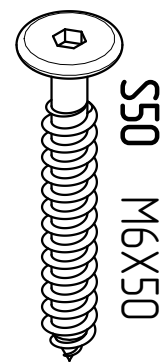
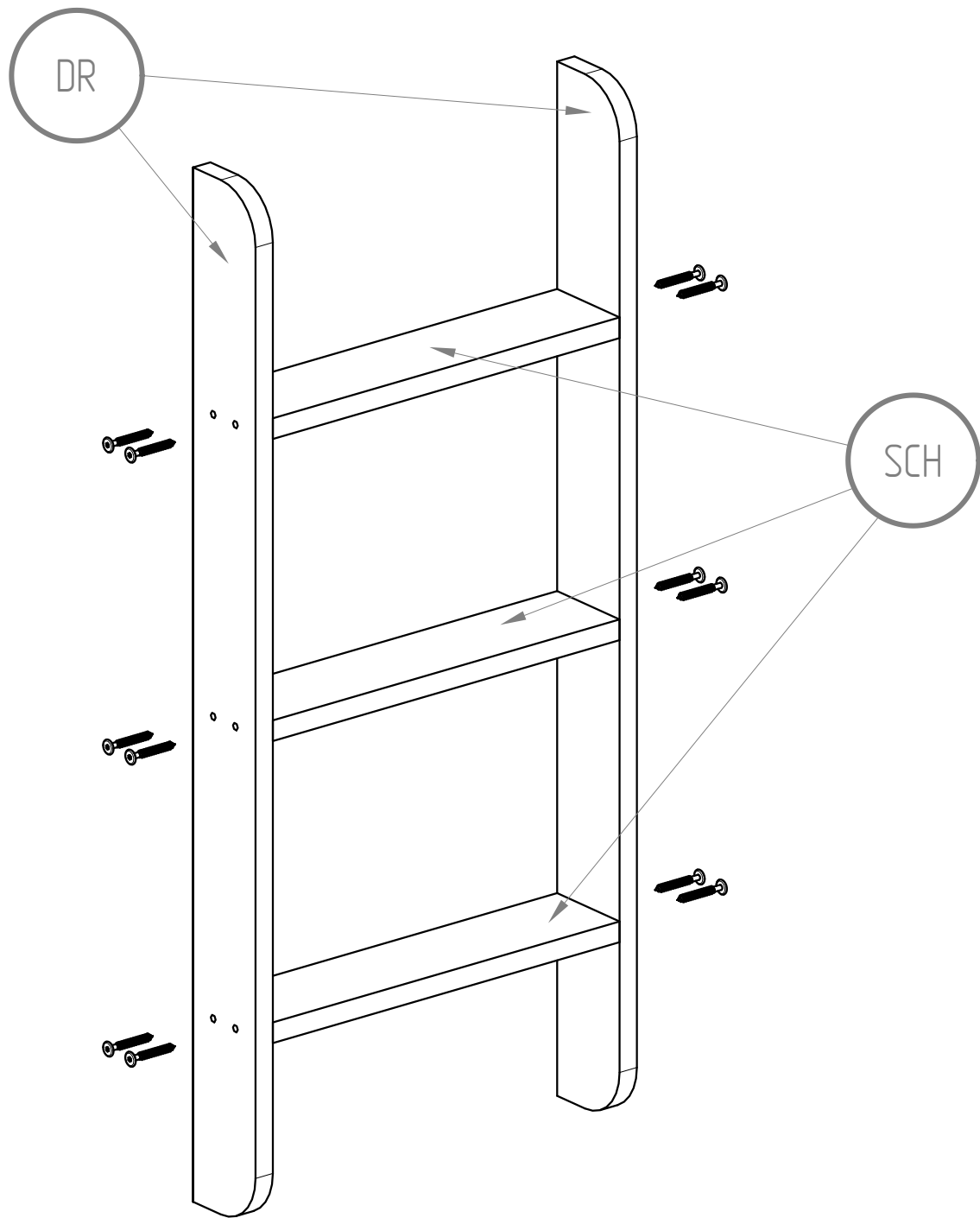


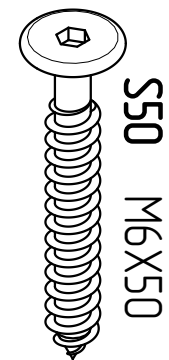
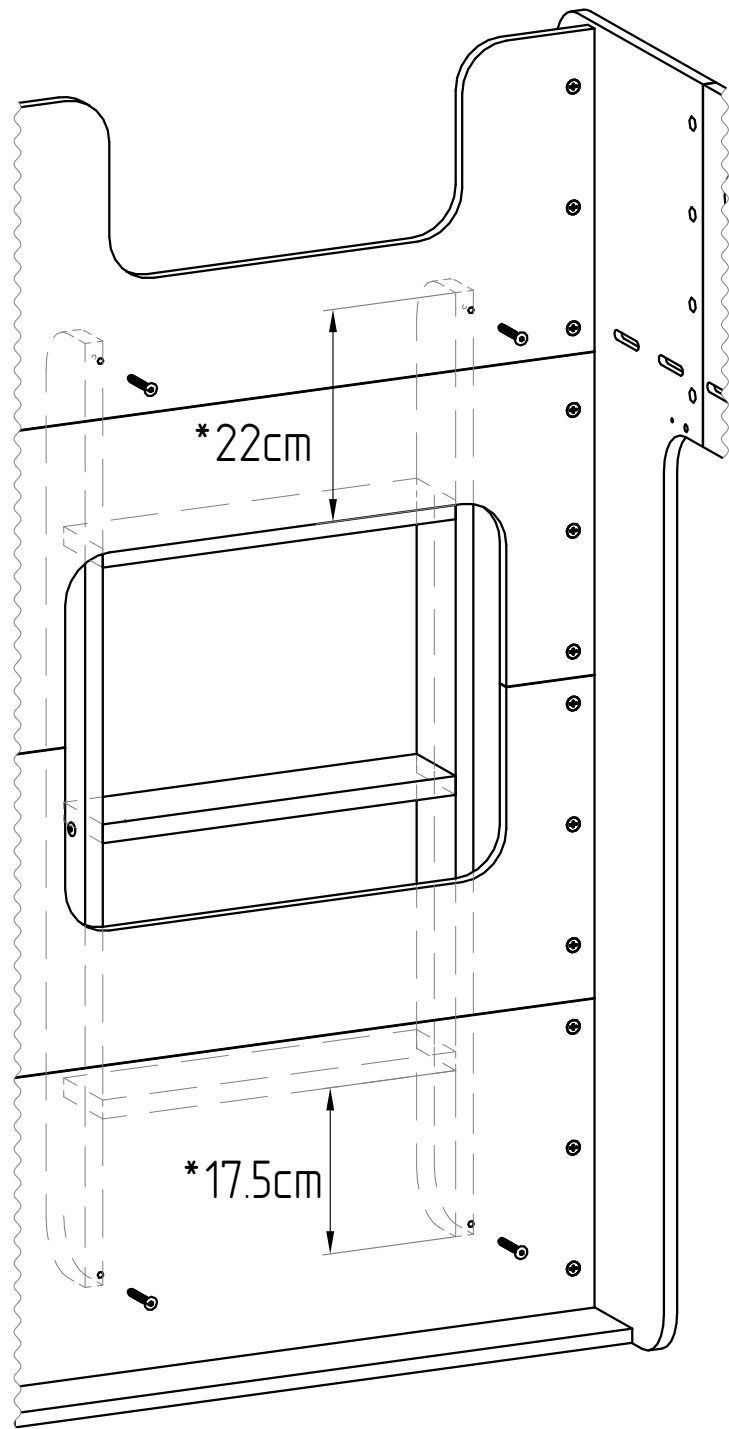




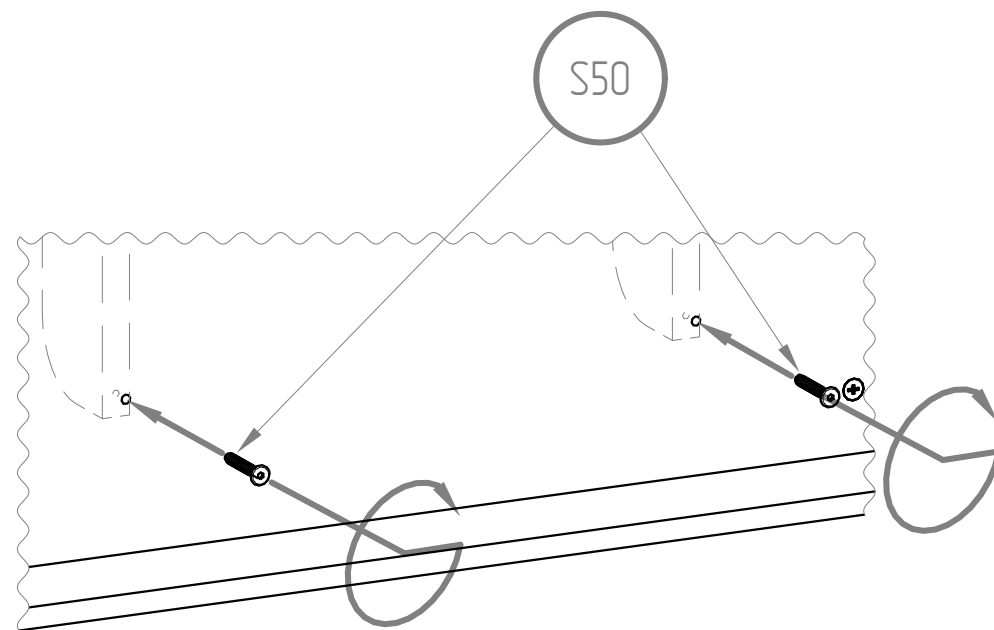


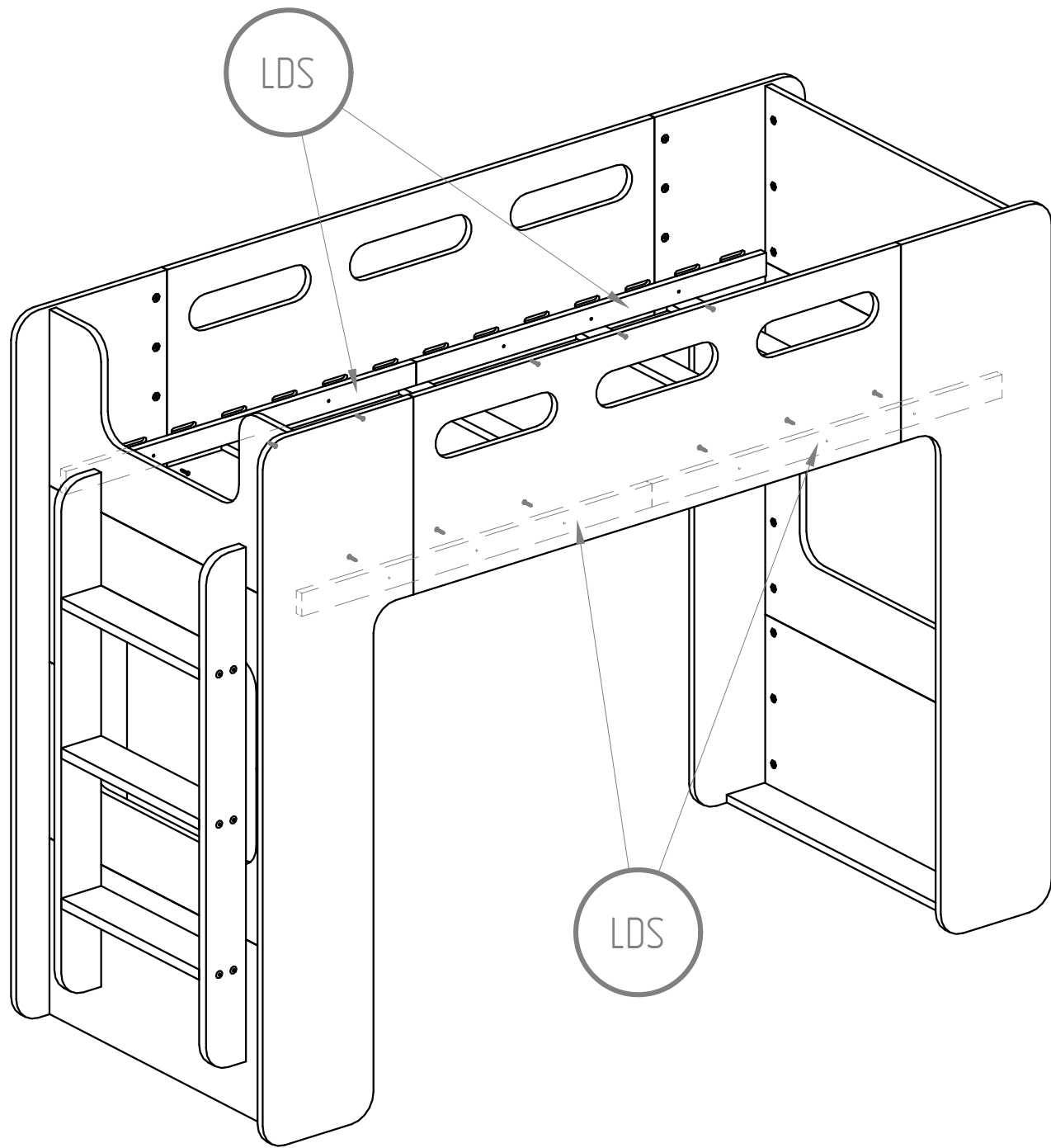




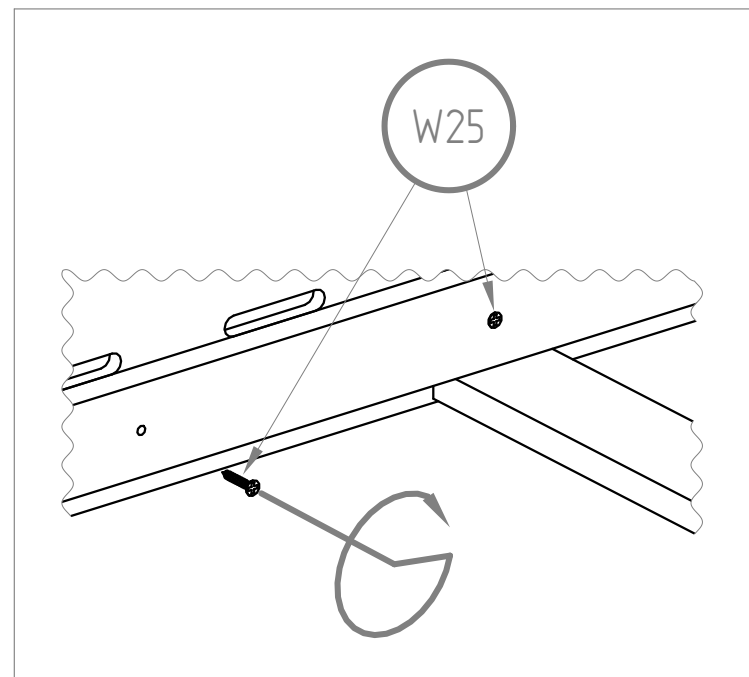
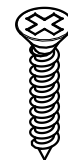


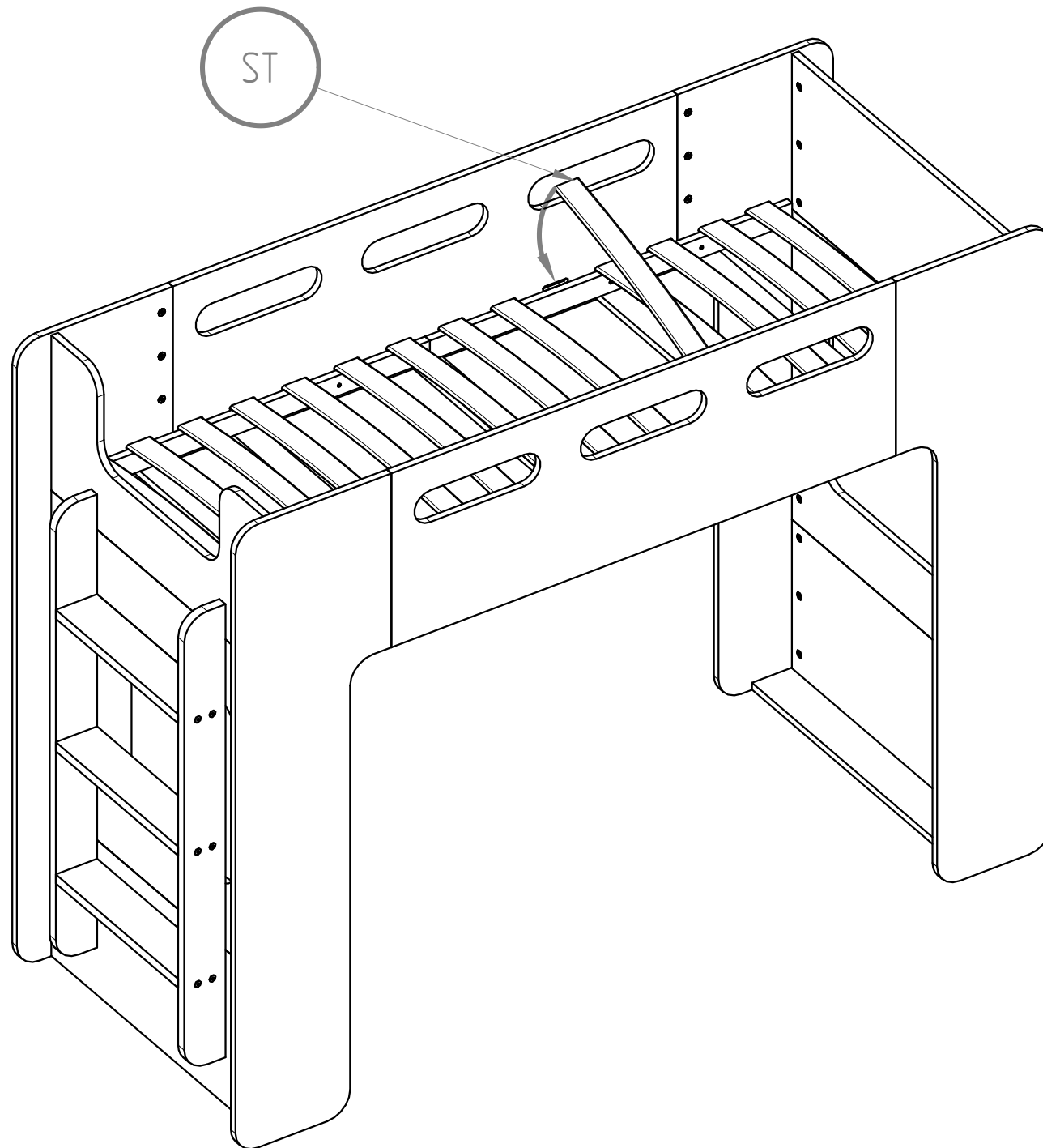
**\* IMPORTANT!**





W25 M4X25





# Assembly Manual **PETIT PUK**



## **Yeaah, great job!!**

We hope you are happy with the results too! Don't forget to share a photo with us, it makes us incredibly happy to see the results in our mailbox or on instagram with #petitpuk

### **Please remember this:**

- ♥ Use only mattress with thickness is 8-14 cm height.
- ♥ Beds are for sleeping, not for jumping
- ♥ Prohibit more than one person on the bunkbed.  
Do not hang on construction components.
- ♥ Wooden and plastic parts should be cleaned with a dry cloth and ordinary, mild care and cleaning of raw wood
- ♥ Bed parts have a warrantee for 2 years under normal use.  
If necessary, contact **PETIT PUK** indicating your name and order number, accompanied by photos's of the situation.

**PETIT  
♥ PUK ♥**

[www.petitpuk.com](http://www.petitpuk.com)   f   [petitpuk](https://www.facebook.com/petitpuk)      [petitpuk](https://www.instagram.com/petitpuk)