






Assembly Manual for MANOR

Congratulations on your new Petit Puk bed! Get ready to transform your kid's sleeping space into a fortress of imagination, a castle of coziness, and a launchpad for their sweetest dreams! When you follow this step-by-step assembly, you'll breeze through the process.

Quick Checklist:

-  Is everything complete?
-  All pieces in good shape?
-  Do no start adding glue before you made sure all pieces are there and in perfect shape
-  Note! Applying glue to the bed base is **not** mandatory, as it could hinder the disassembly process later on. Let's keep things flexible for future adventures!
-  Ready to take a photo of your great work once completed and share with us?

Ticked all the boxes? Put on your superhero cape, and let's dive into the wonderful world of bed building.

Big wave,
Team Petit Puk

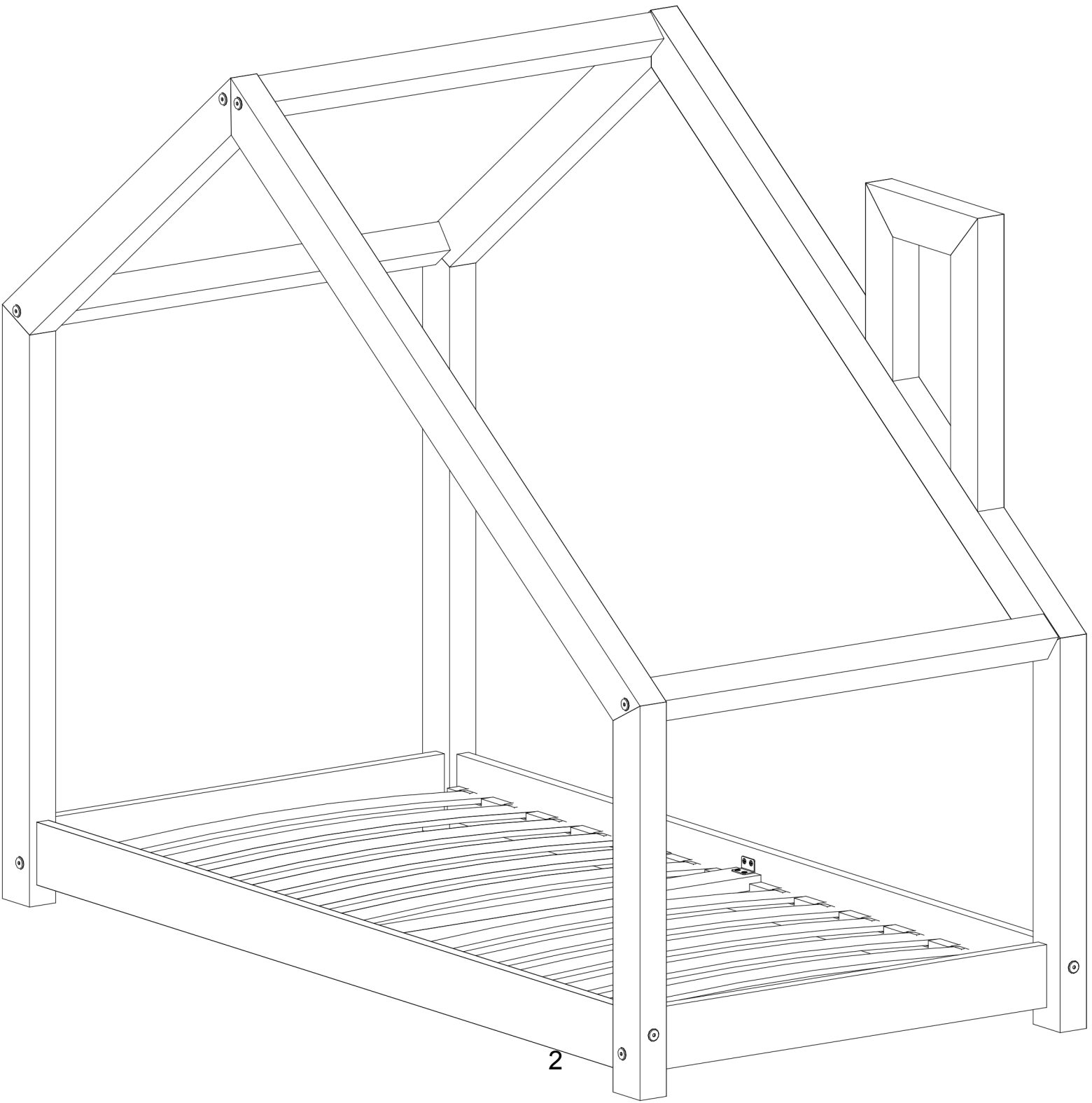
Questions? Reach out via customercare@petitpuk.com

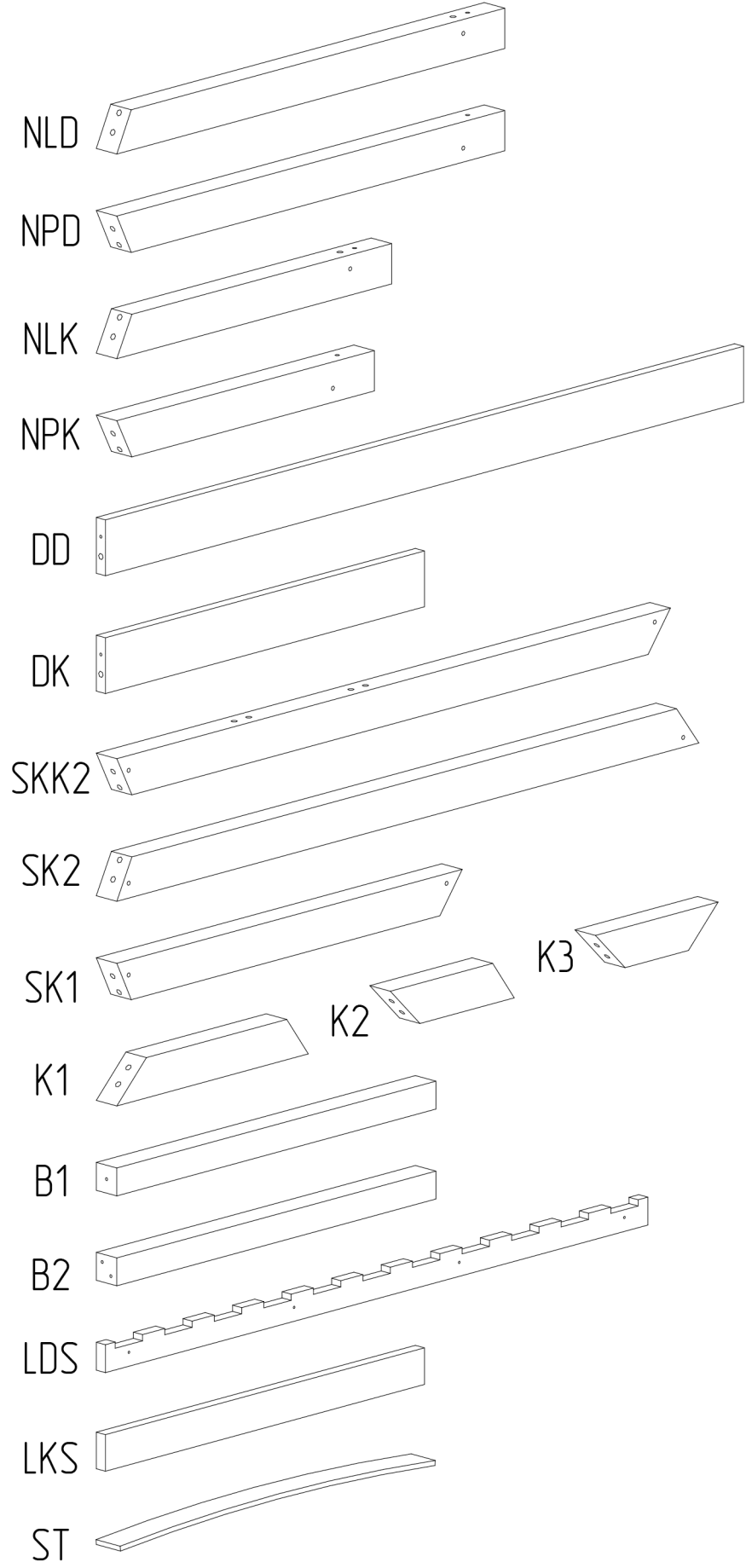
Compliments? Tag us on instagram @petitpuk

Table of contents

| | |
|-------------------------|---------|
| -MANOR | p.2-14 |
| -XL BED OVER 100cm WIDE | p.15-22 |
| -MANOR WITH BARRIER | p.23-37 |
| -DRAWER | p.38-42 |

MANOR

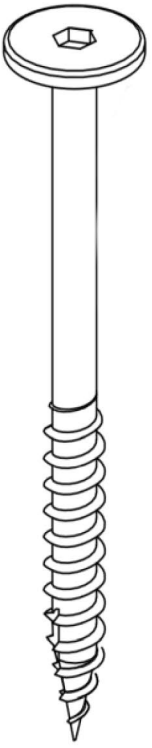




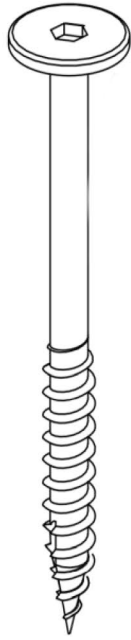
| PART | QUANTITY |
|------|----------|
| NLD | 1 |
| NPD | 1 |
| NLK | 1 |
| NPK | 1 |
| DD | 2 |
| DK | 2 |
| SKK2 | 1 |
| SK2 | 1 |
| SK1 | 2 |
| K1 | 1 |
| K2 | 1 |
| K3 | 1 |
| B1 | 2 |
| B2 | 1 |
| LDS | 2 |
| LKS | 1 |

| ST | |
|----------------|----------|
| LENGTH (cm) | QUANTITY |
| 140 | 12 |
| 160 | 14 |
| 180 | 14 |
| 190 | 16 |
| 200 | 16 |

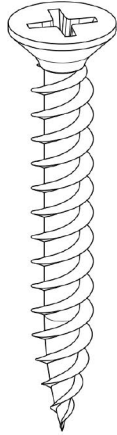
S110



S80



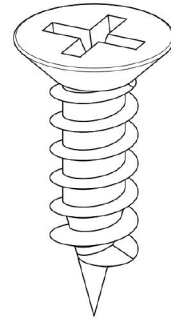
W30



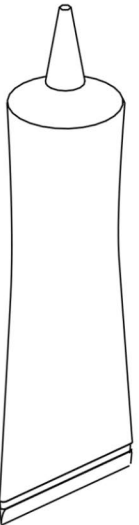
K10



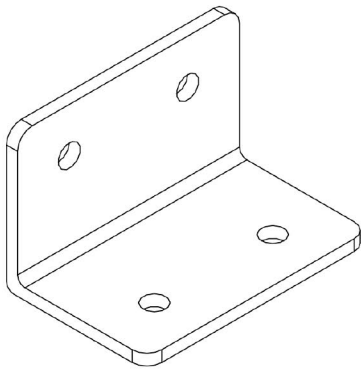
W16



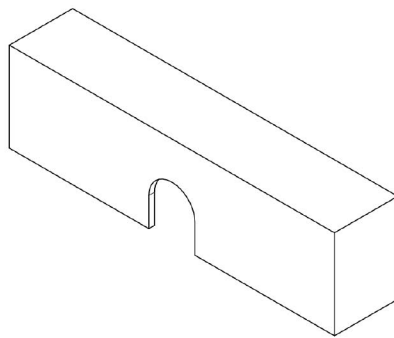
G



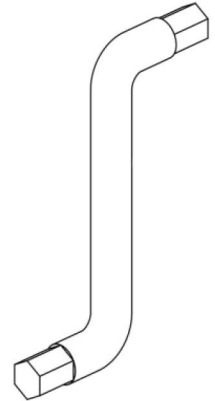
KT



P

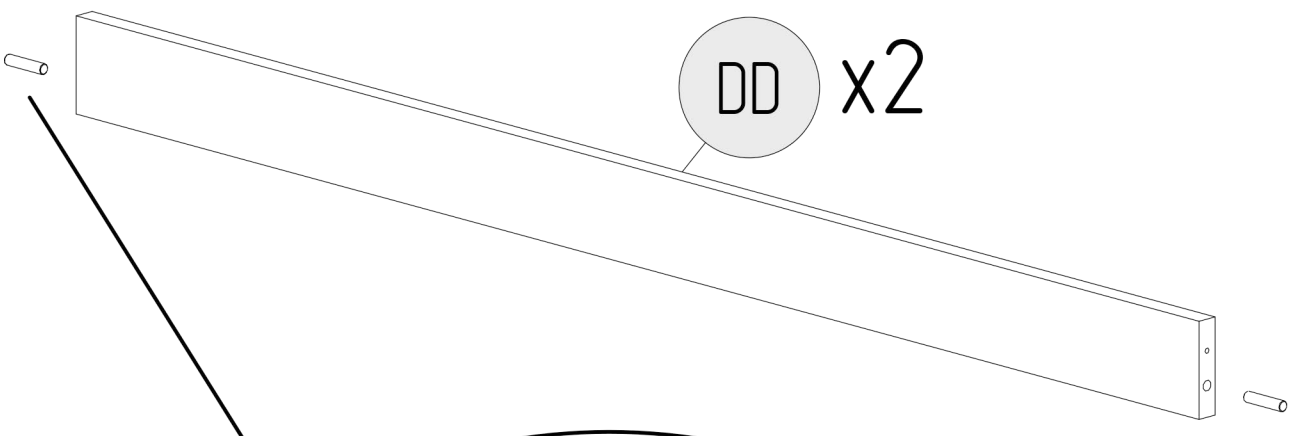


INBUS

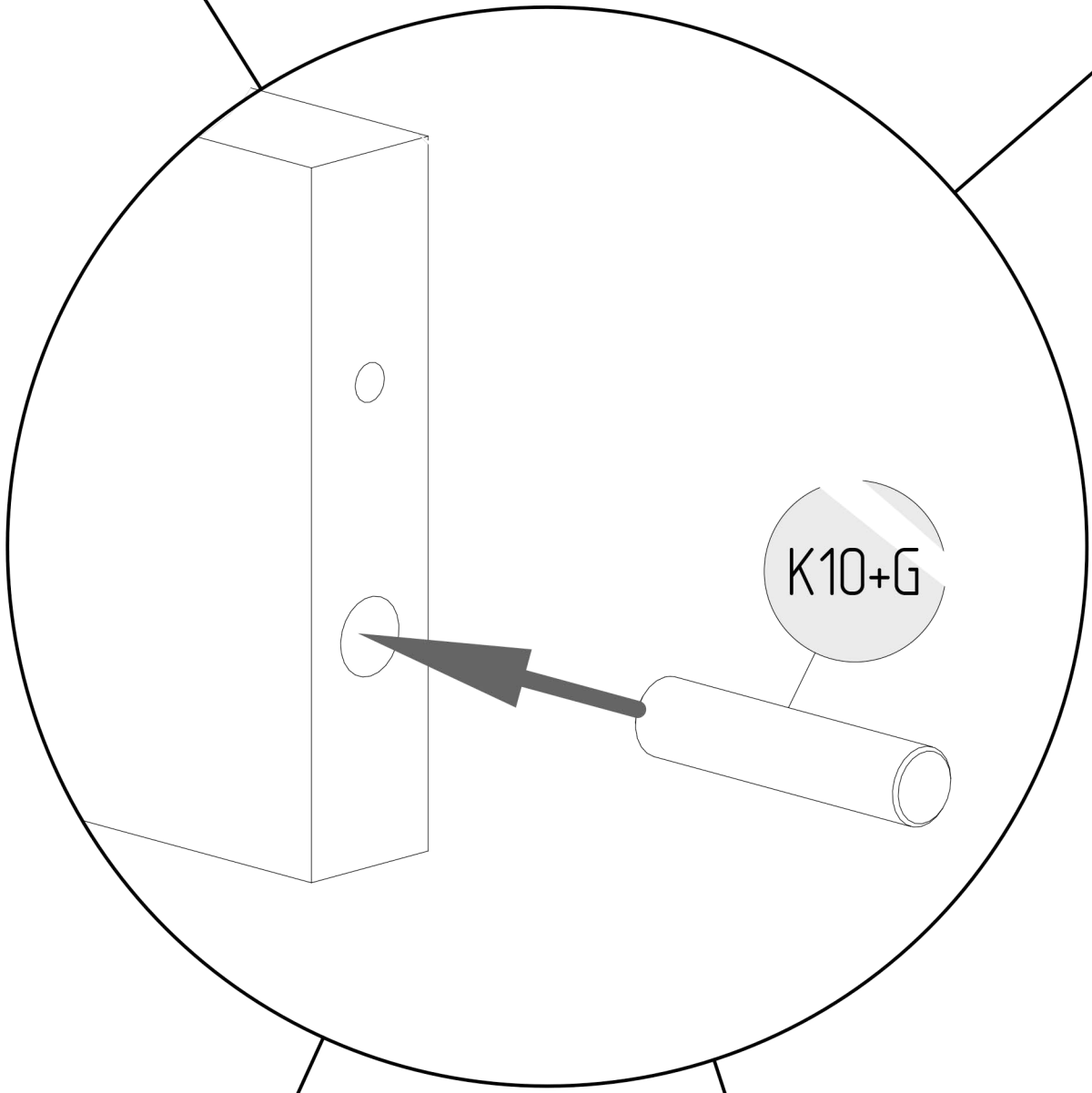


| P | |
|-------------|----------|
| LENGTH [cm] | QUANTITY |
| 140 | 24 |
| 160 | 28 |
| 180 | 28 |
| 190 | 32 |
| 200 | 32 |

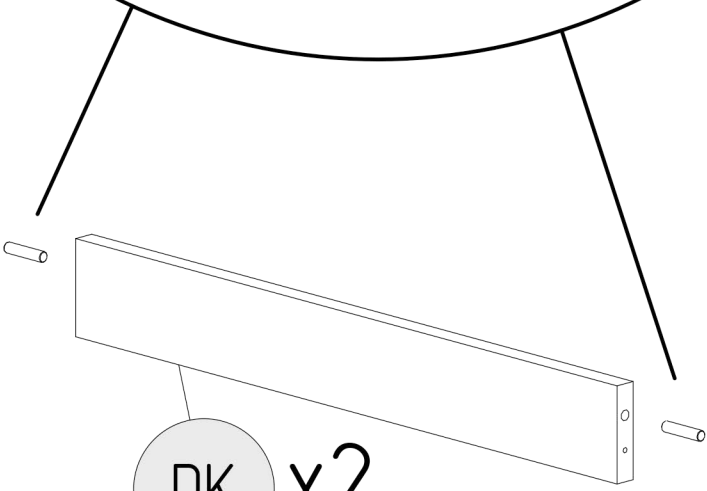
| 'PART | S110 | S80 | W30 | K10 | W16 | G | KT | INBUS |
|-----------|------|-----|-----|-----|-----|---|----|-------|
| 'QUANTITY | 4 | 12 | 12 | 28 | 8 | 4 | 2 | 2 |



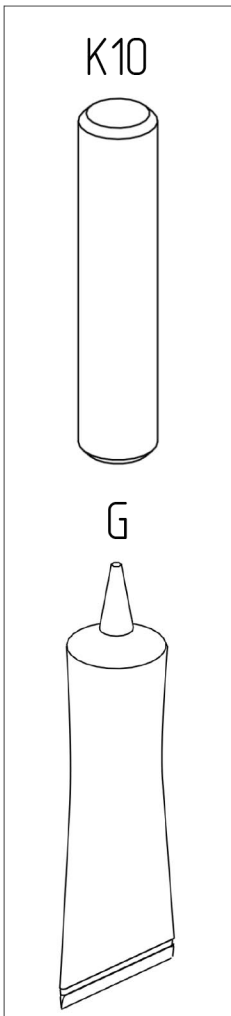
DD x2



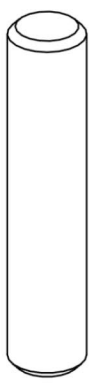
K10+G



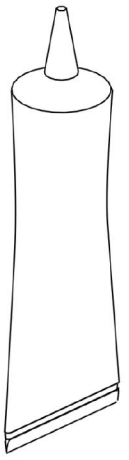
DK x2

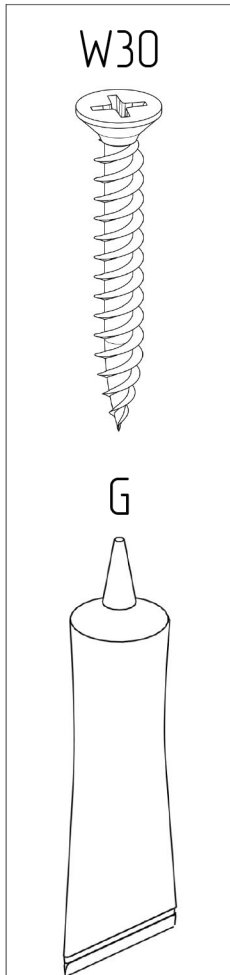
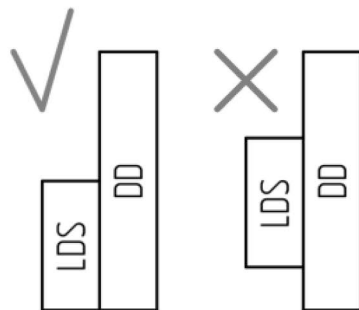
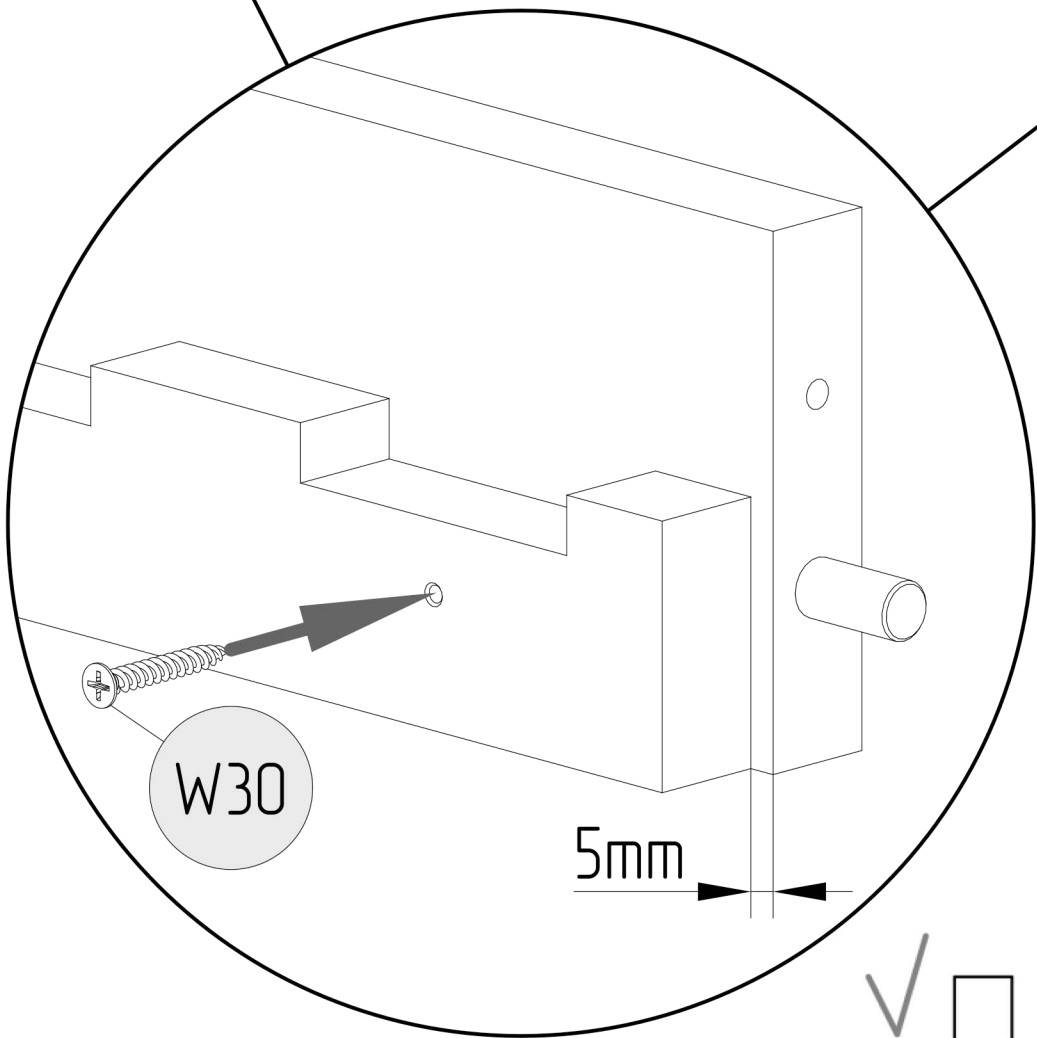
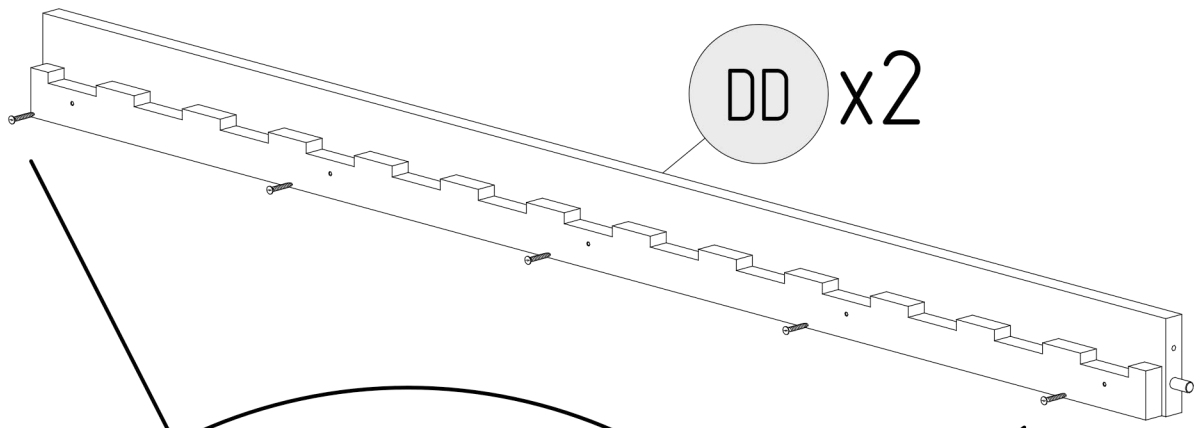
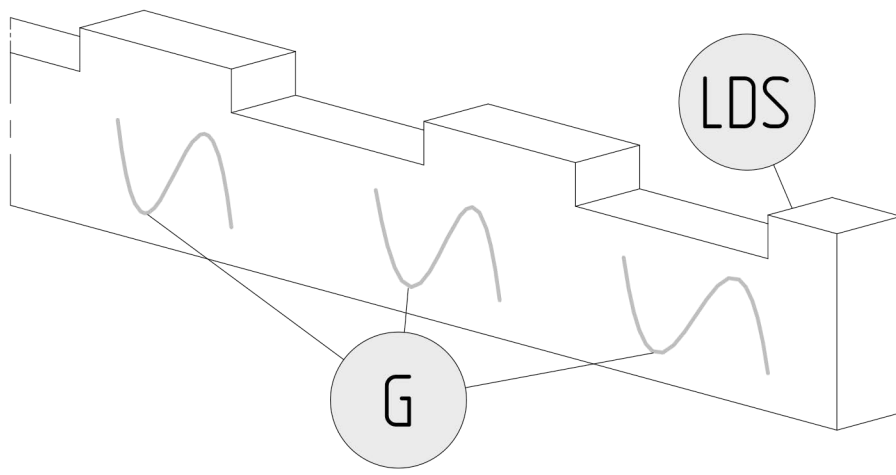


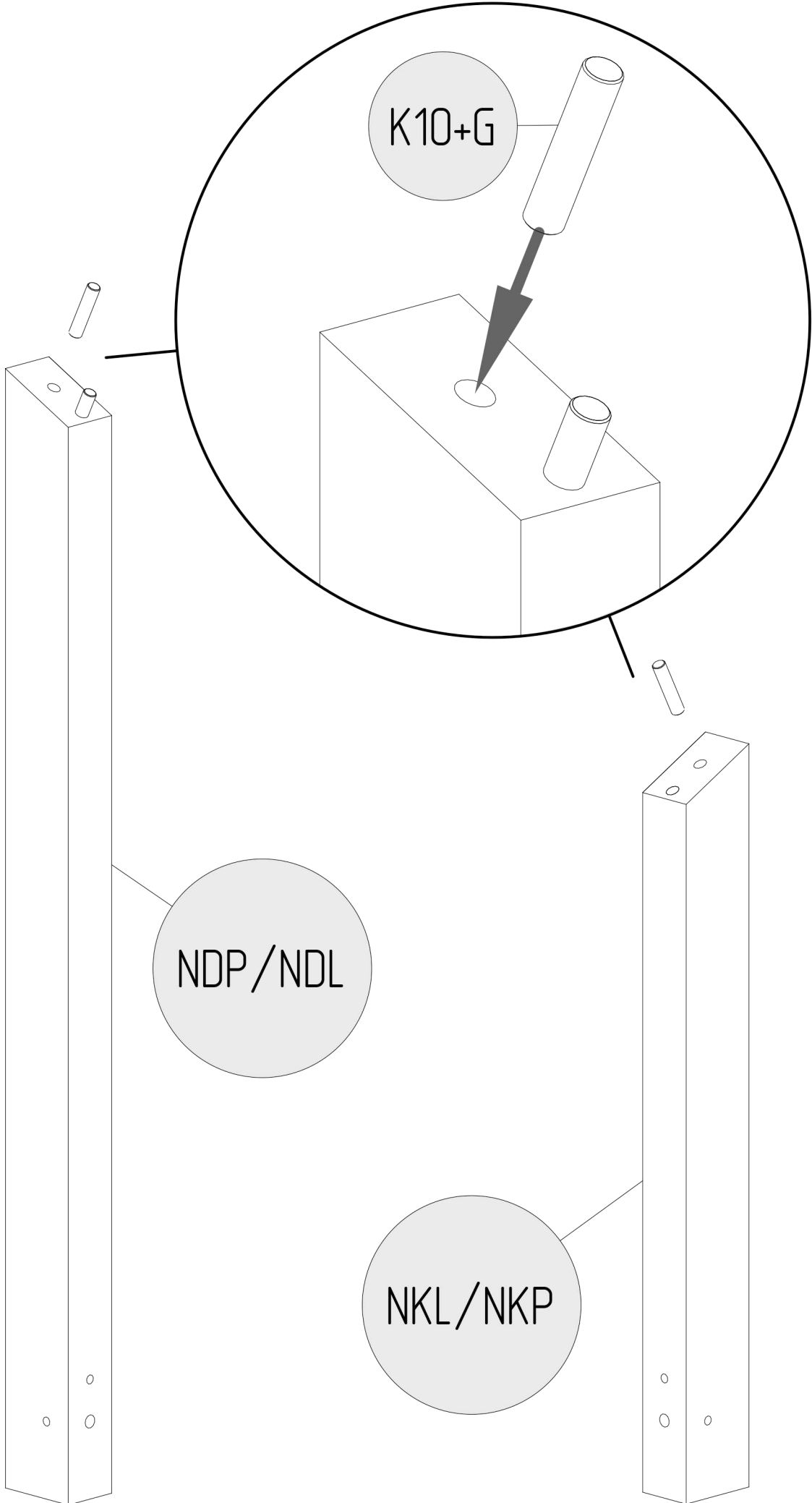
K10



G



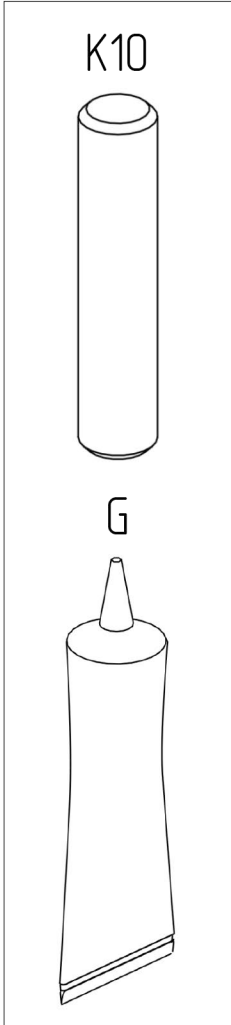


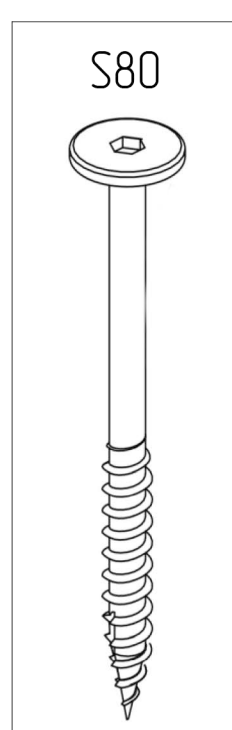
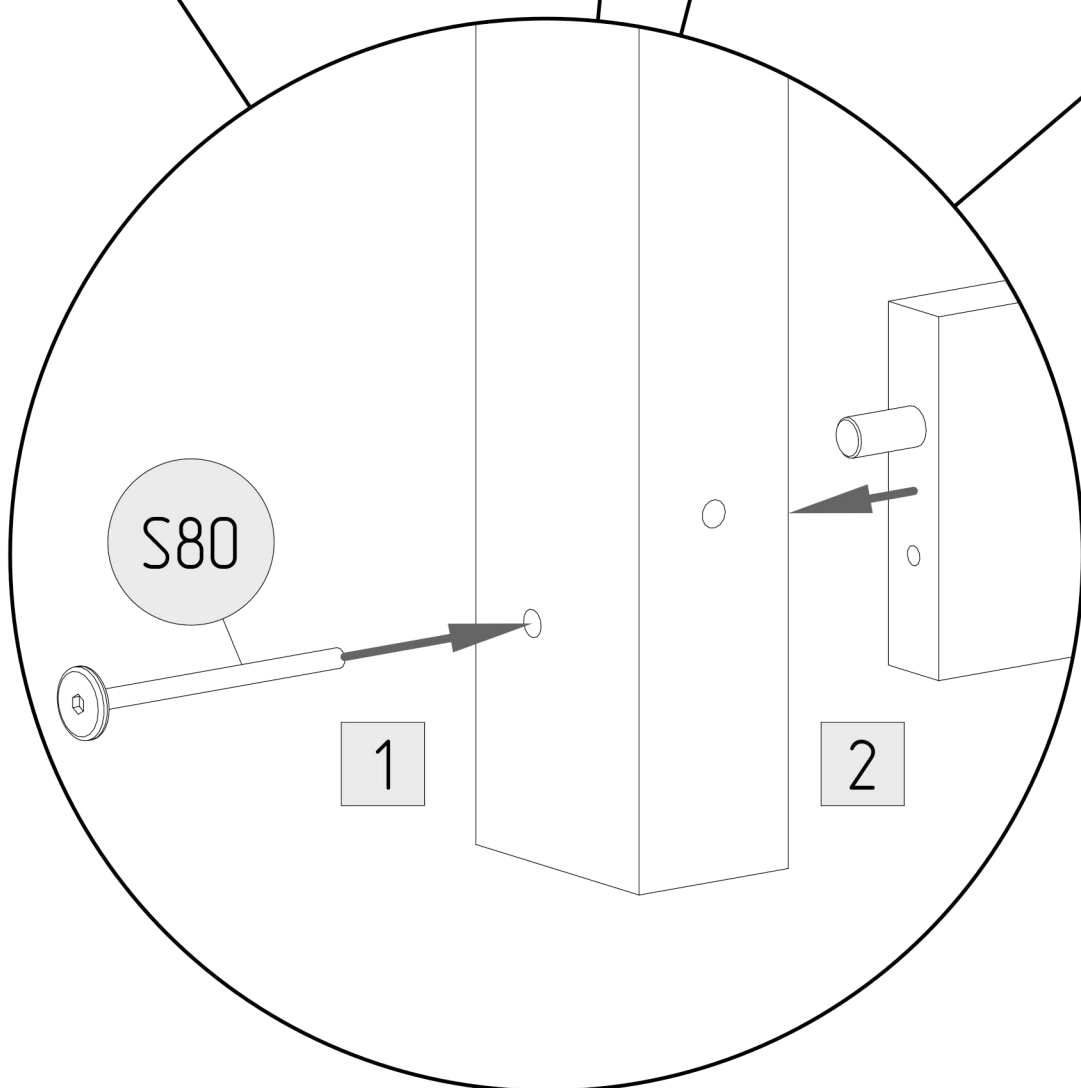
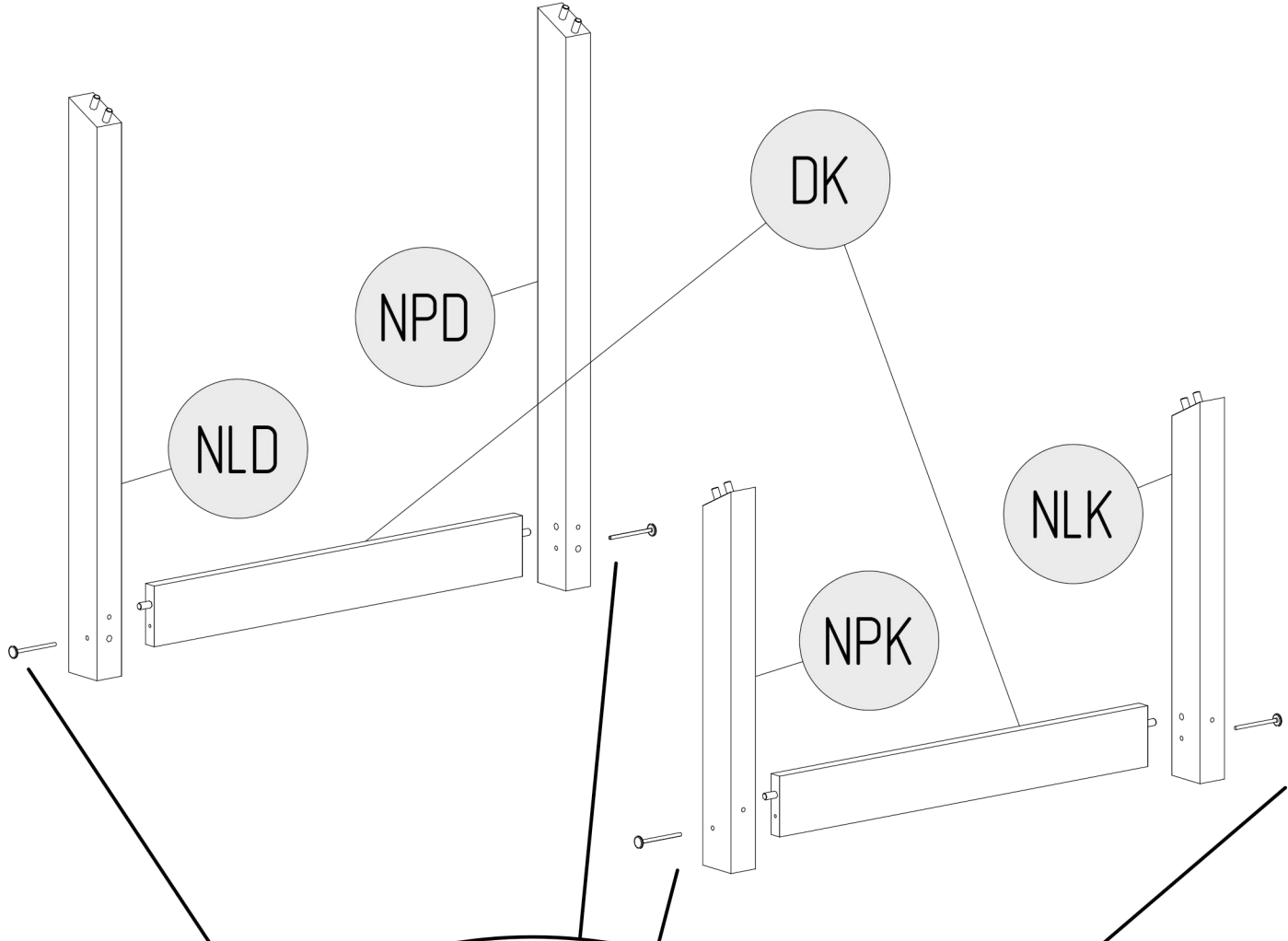


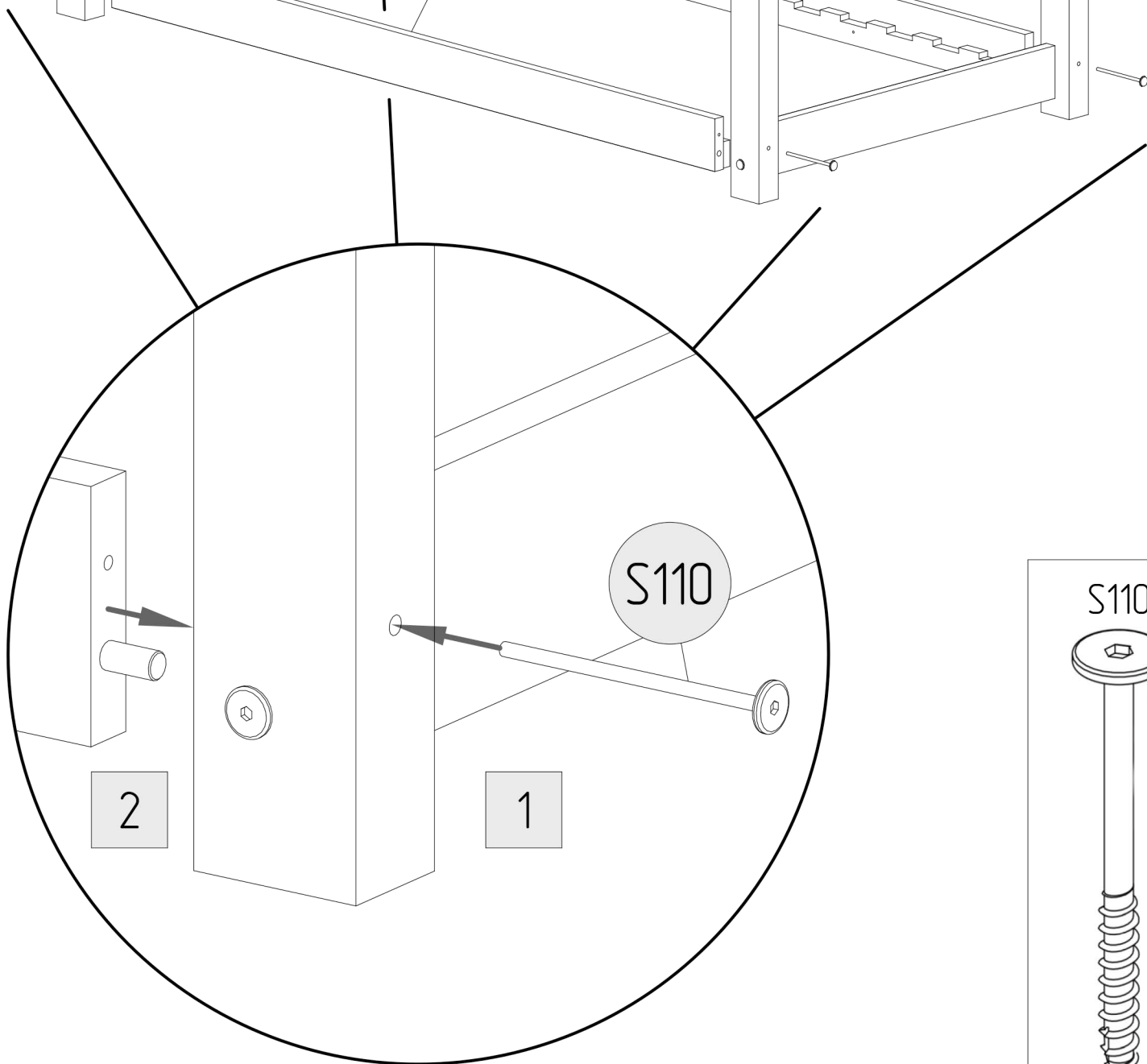
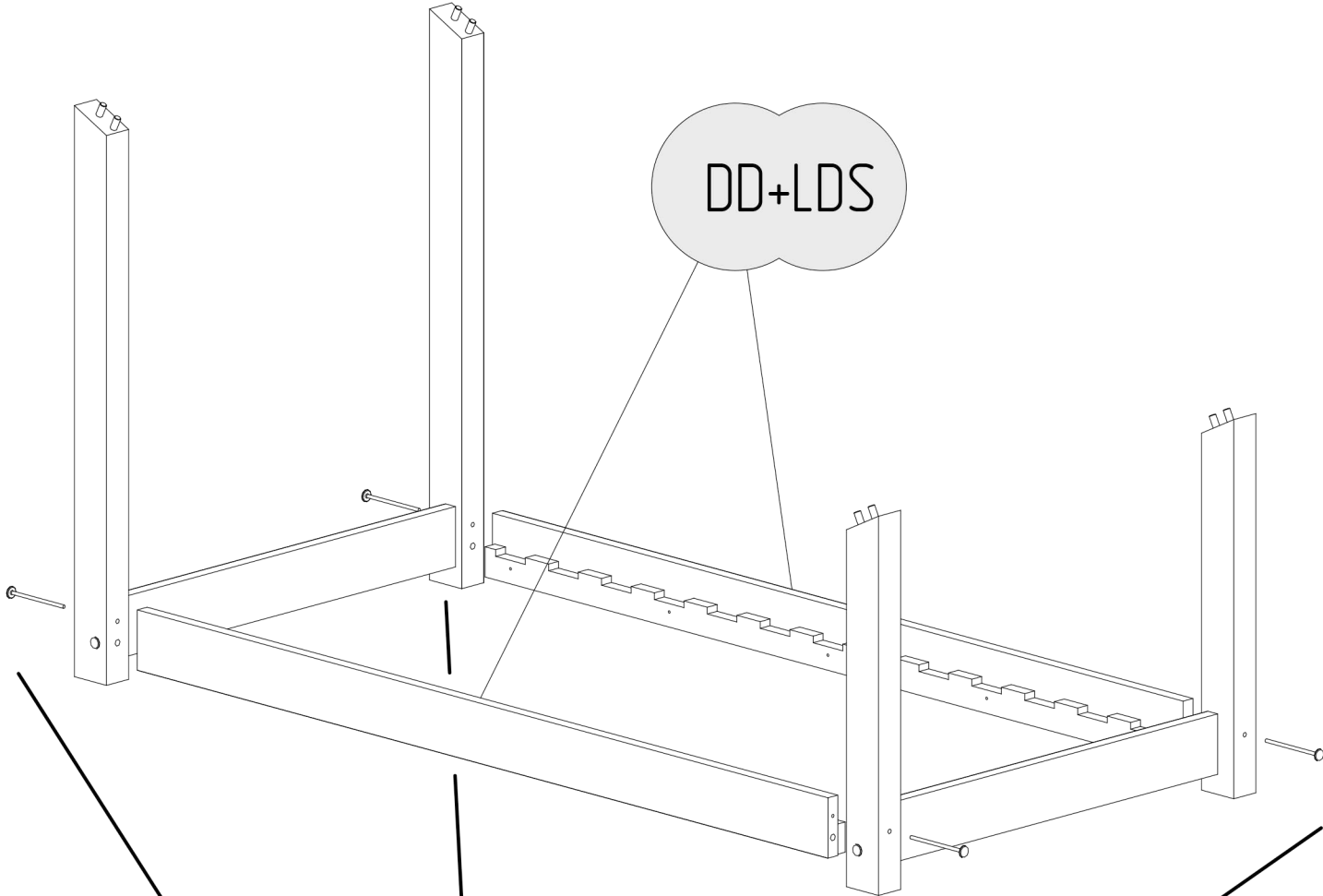
NDP/NDL

NKL/NKP

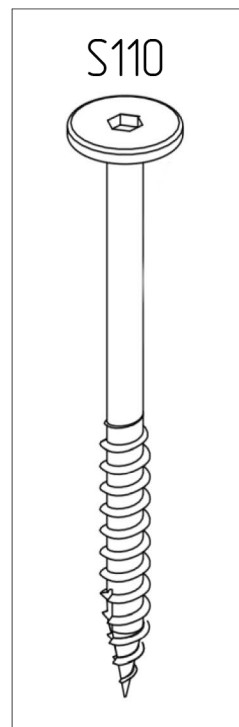
K10+G

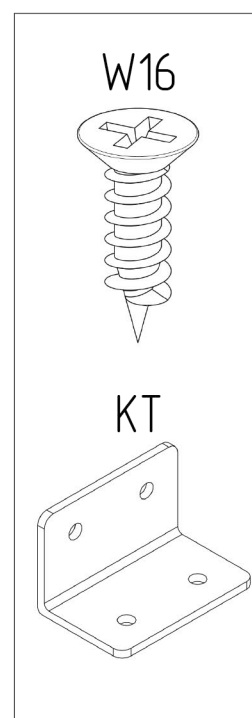
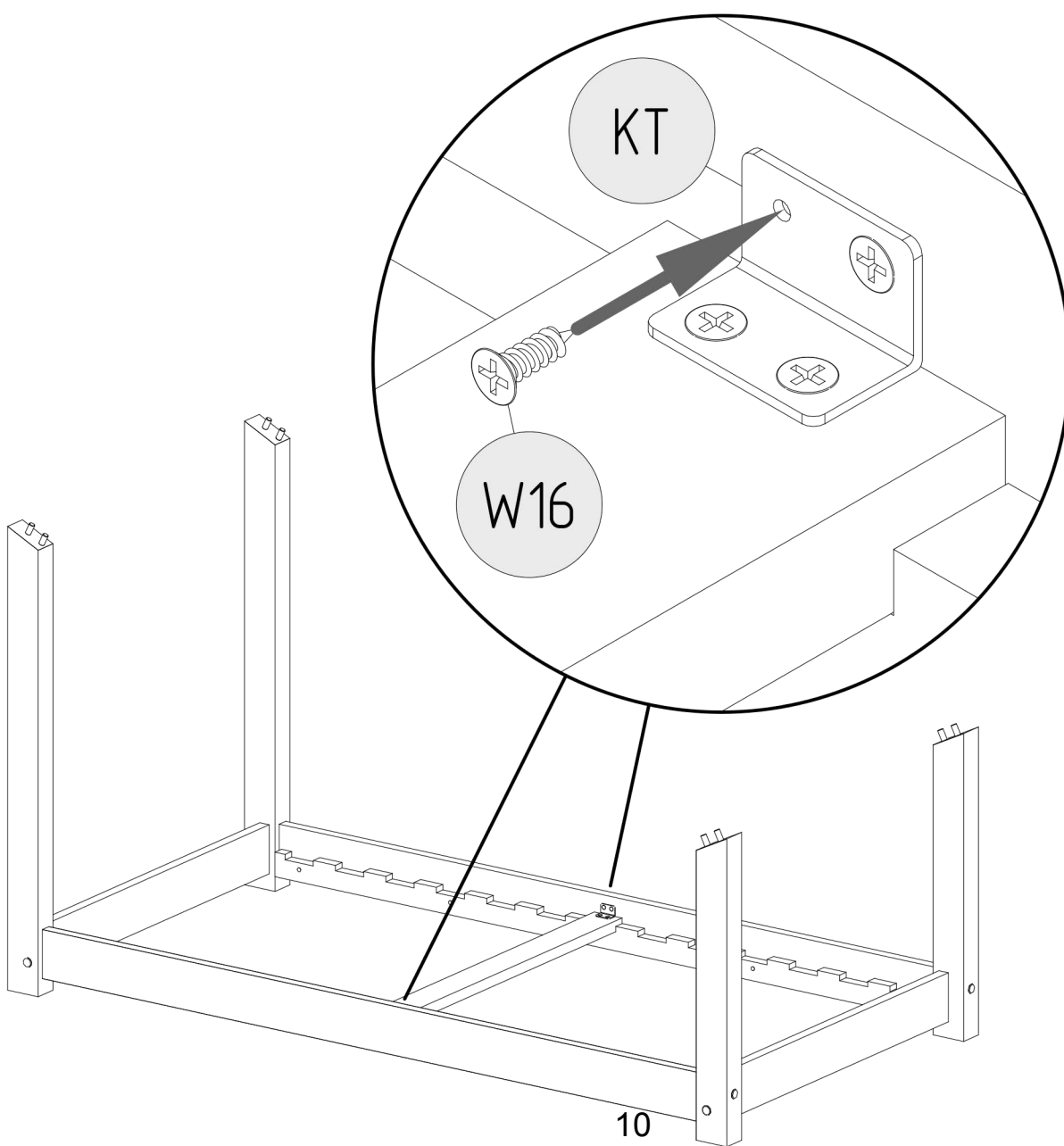
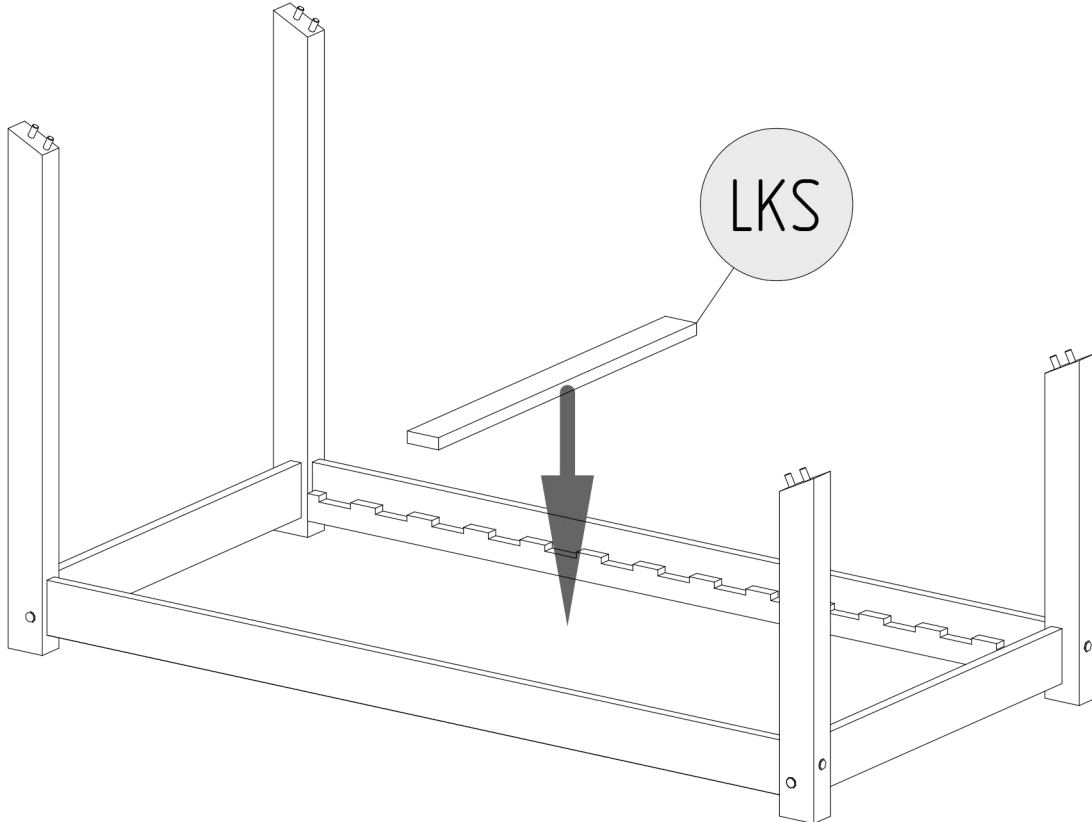






9





K3

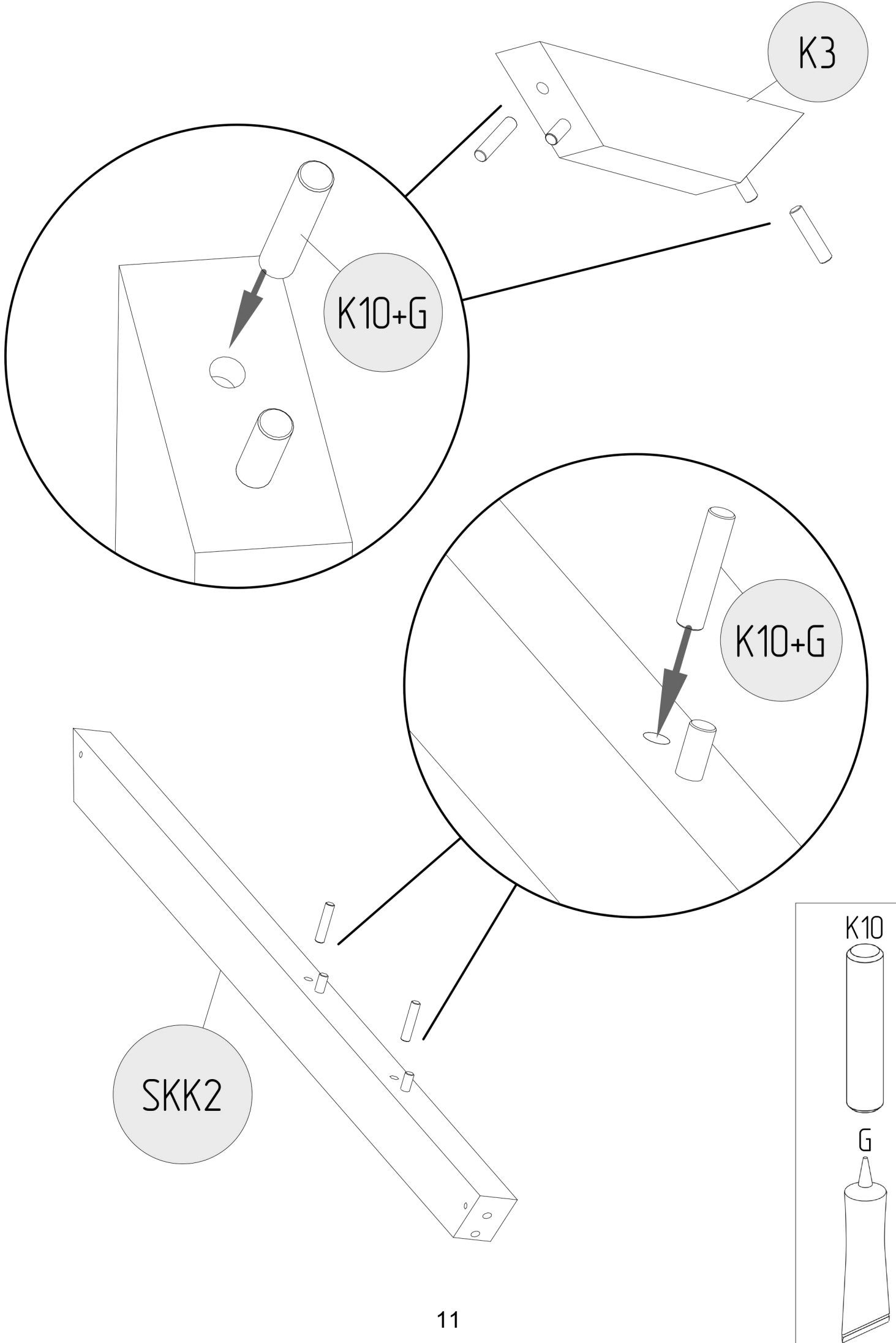
K10+G

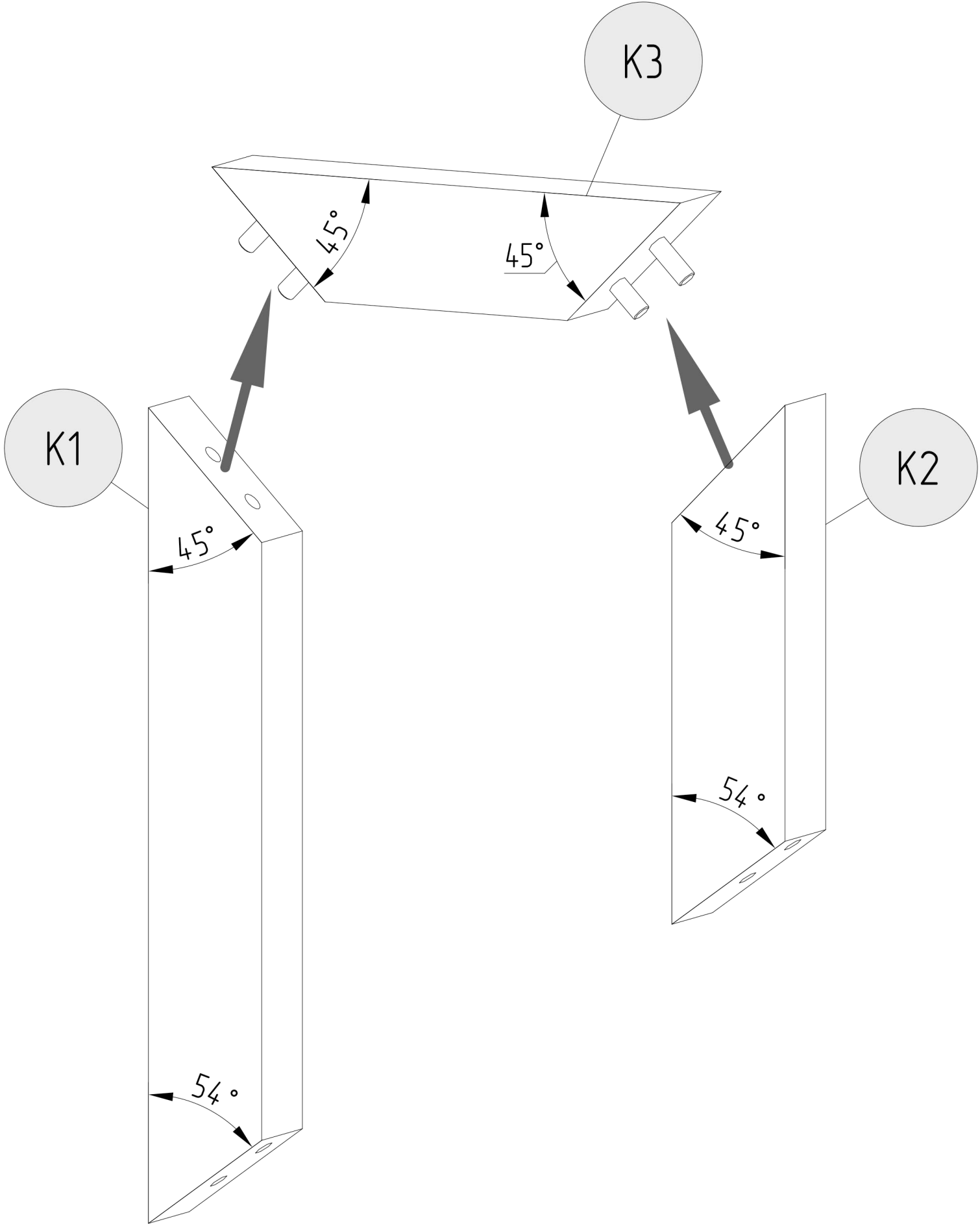
K10+G

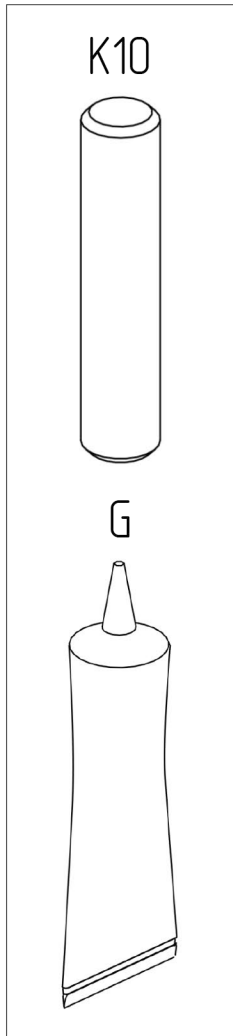
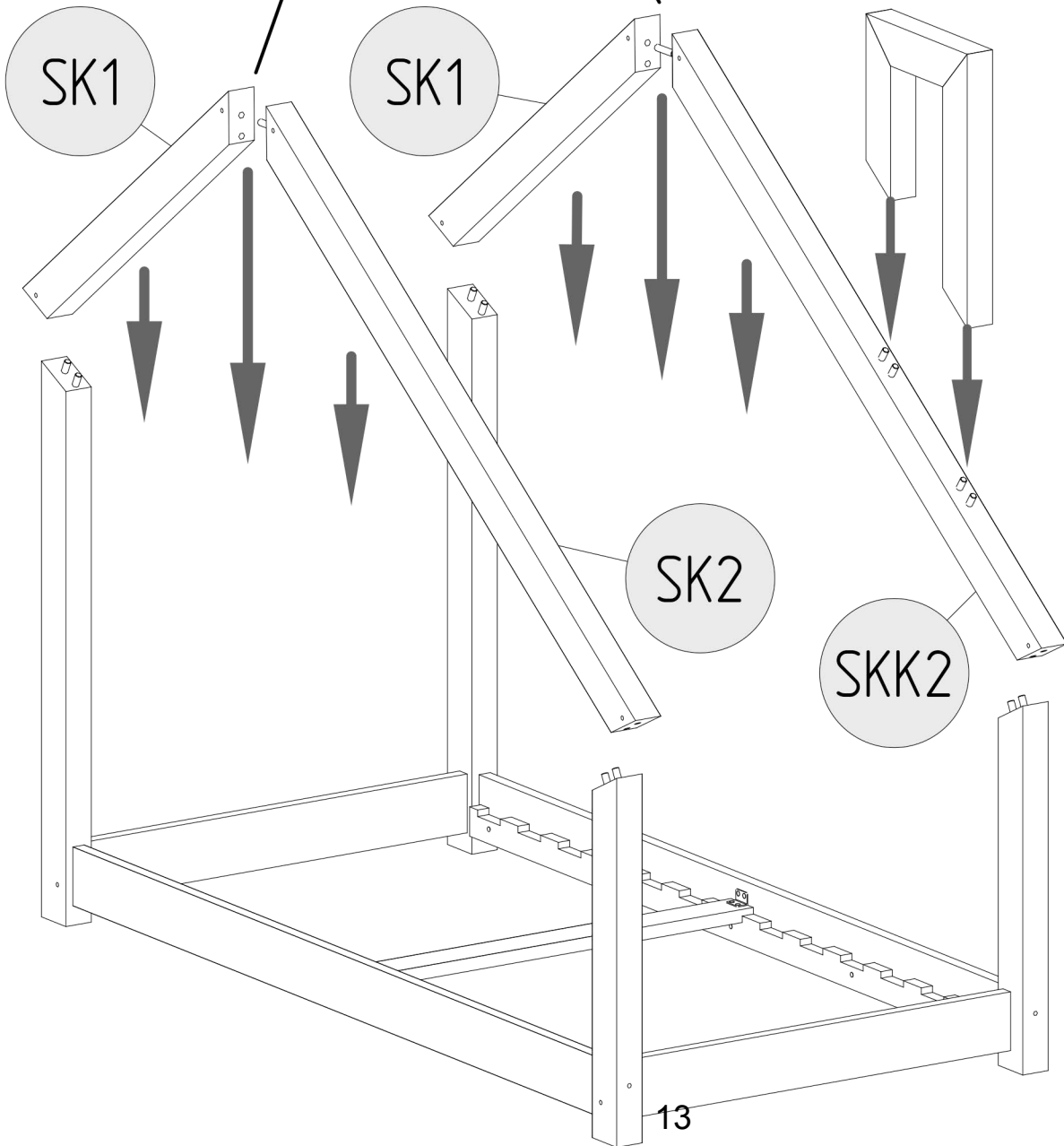
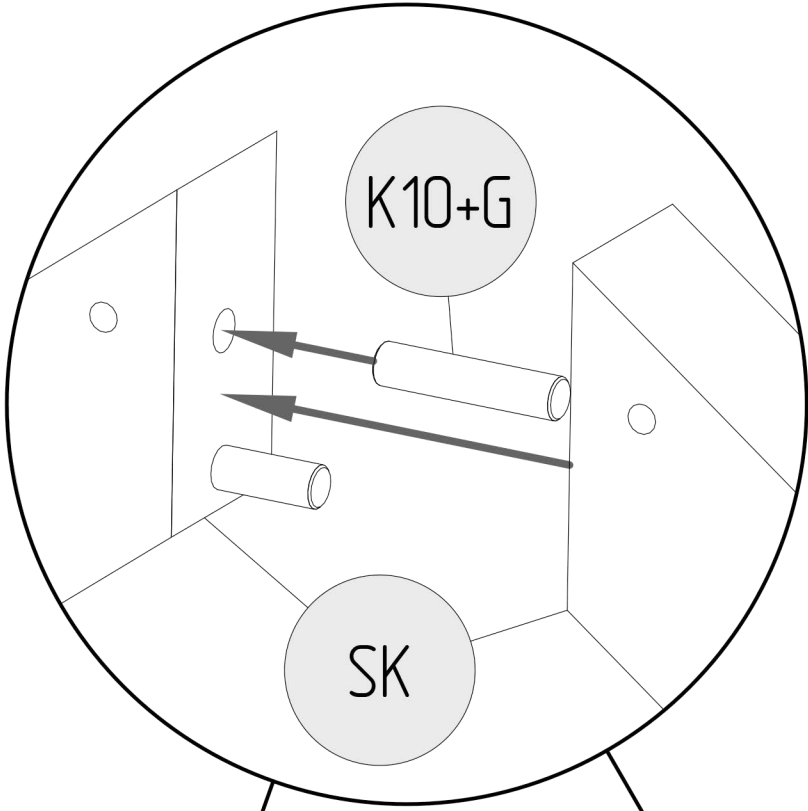
SKK2

K10

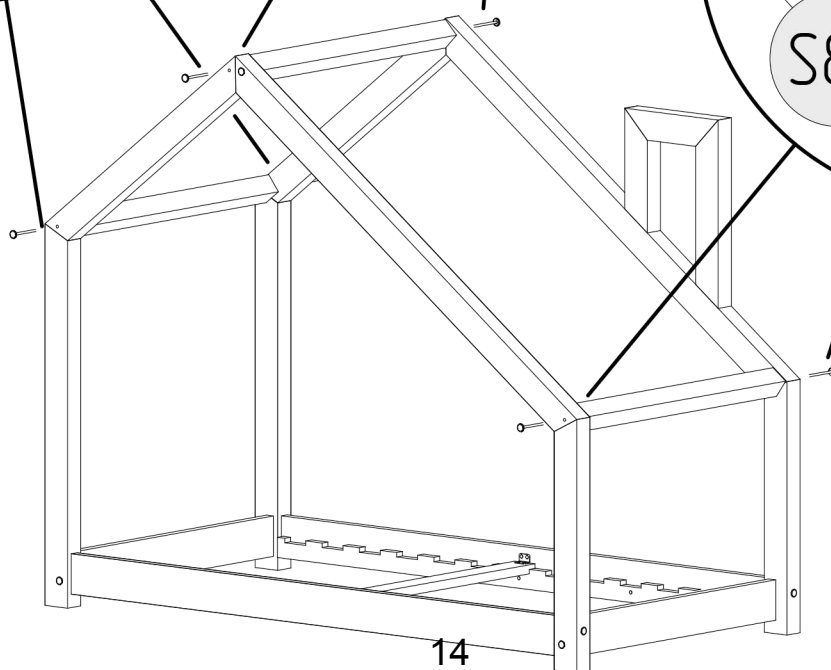
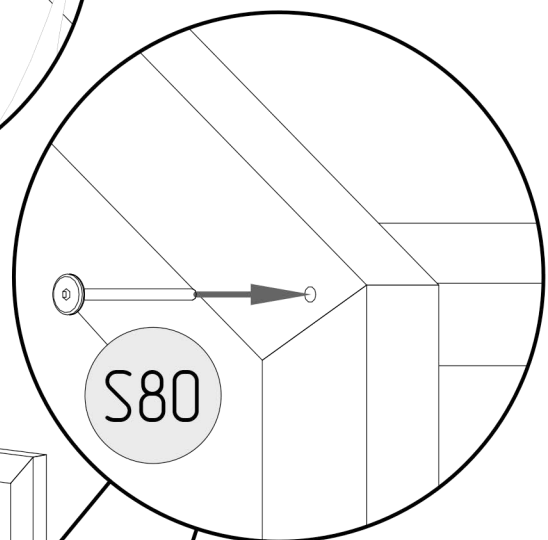
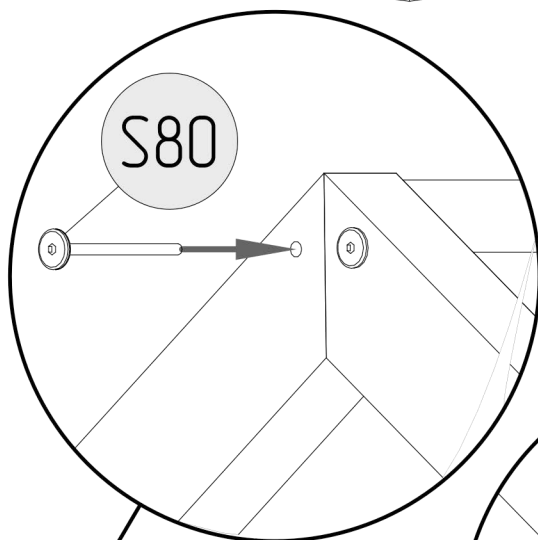
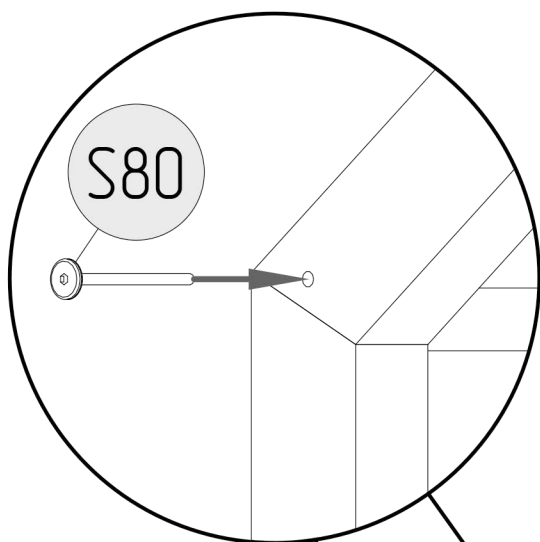
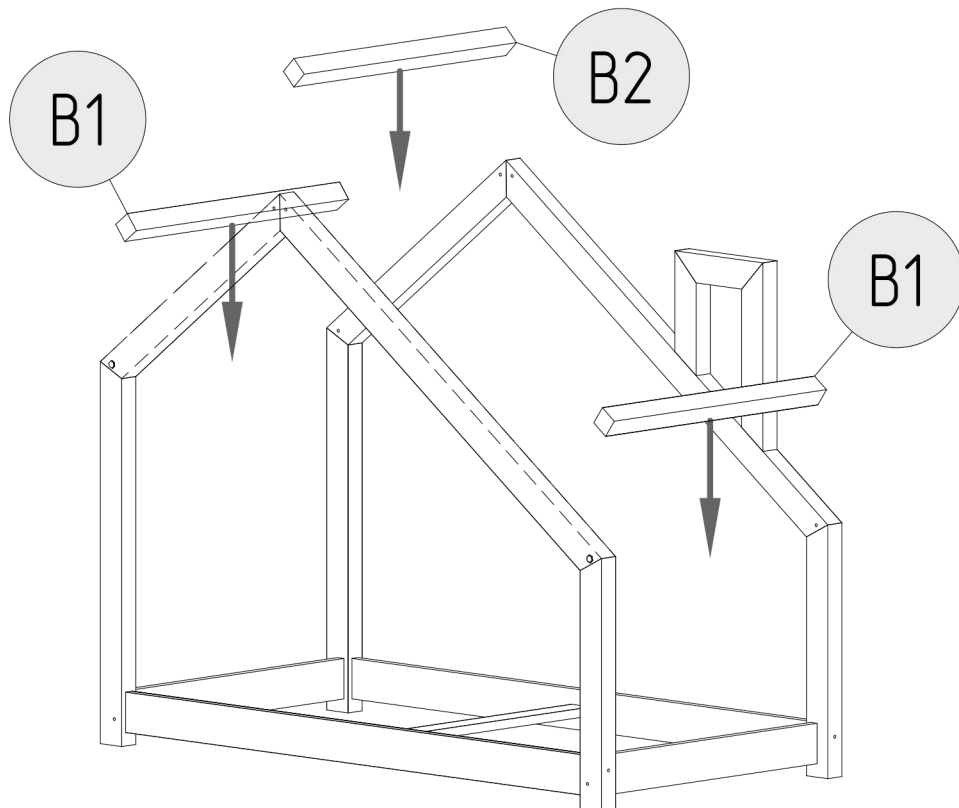
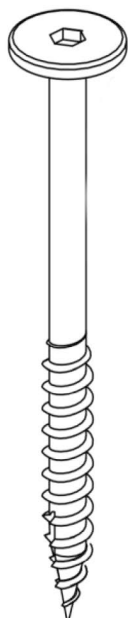
G

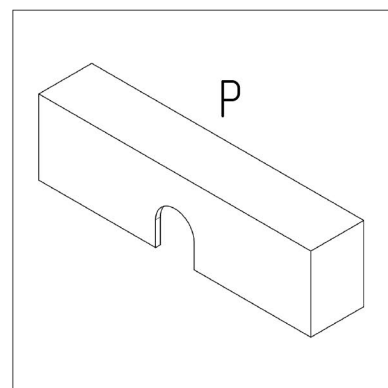
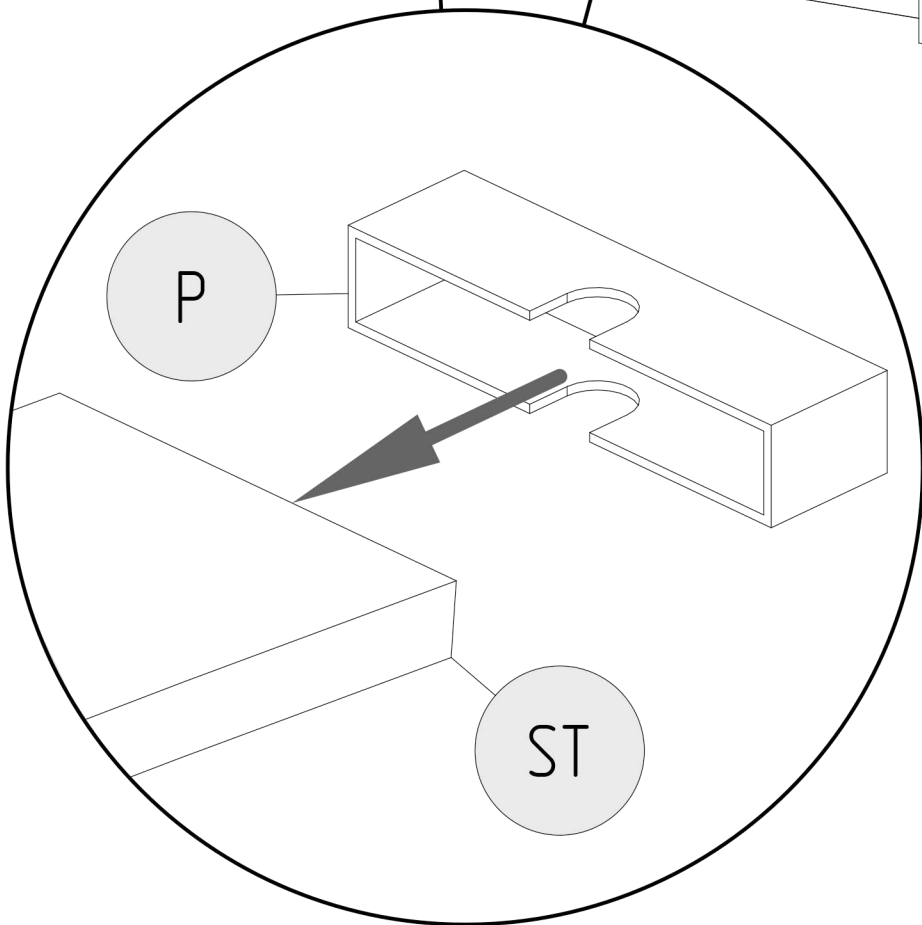
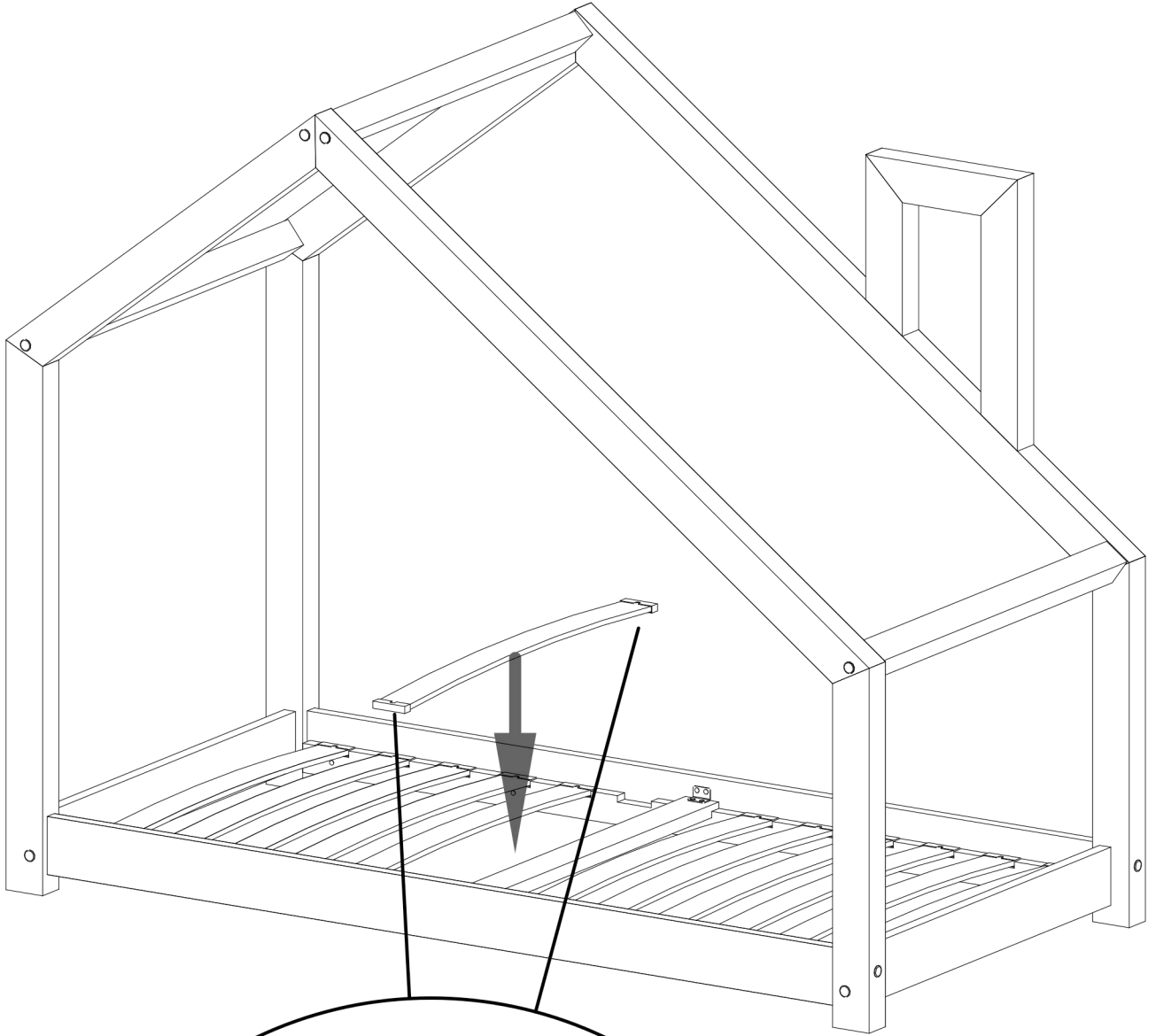




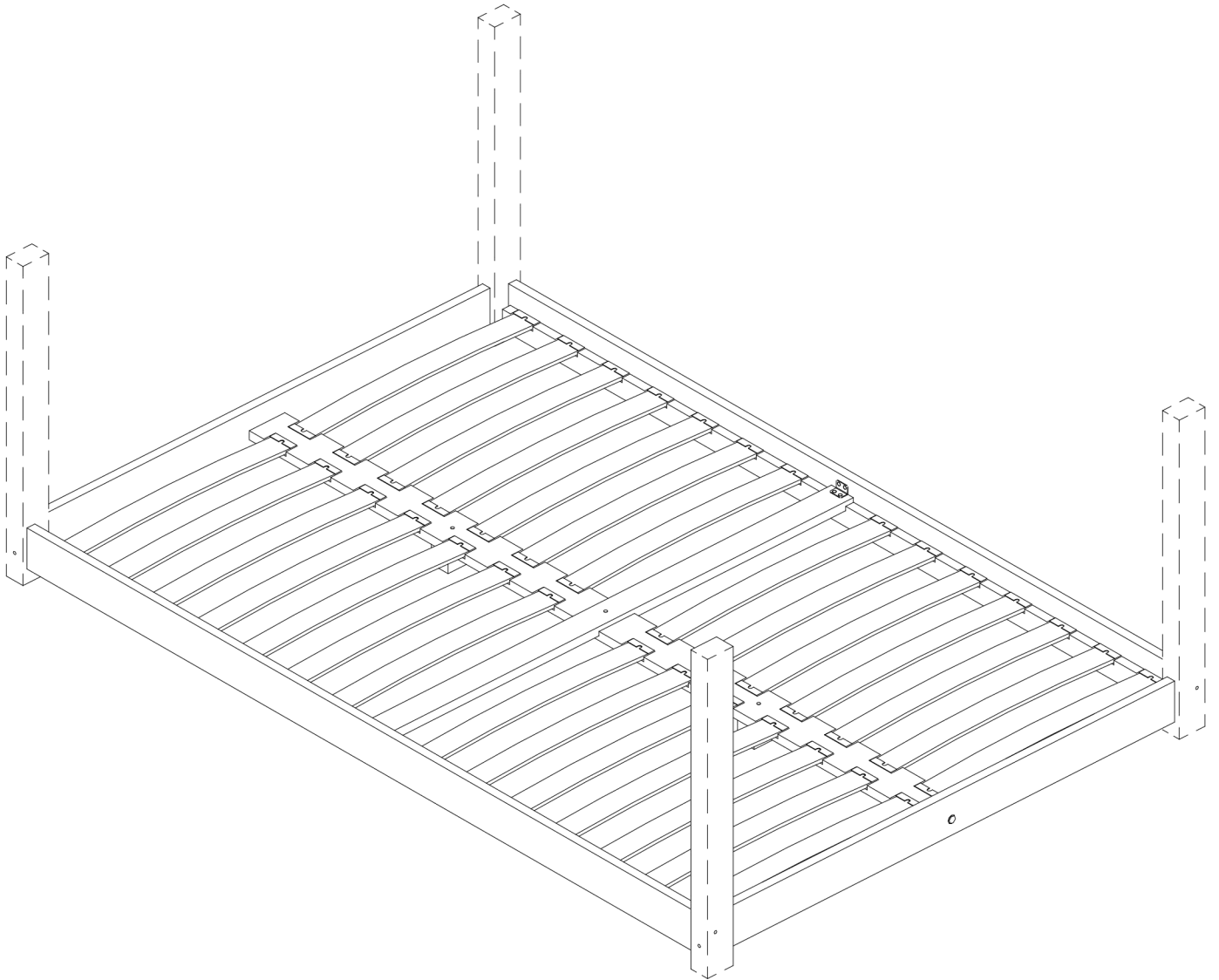


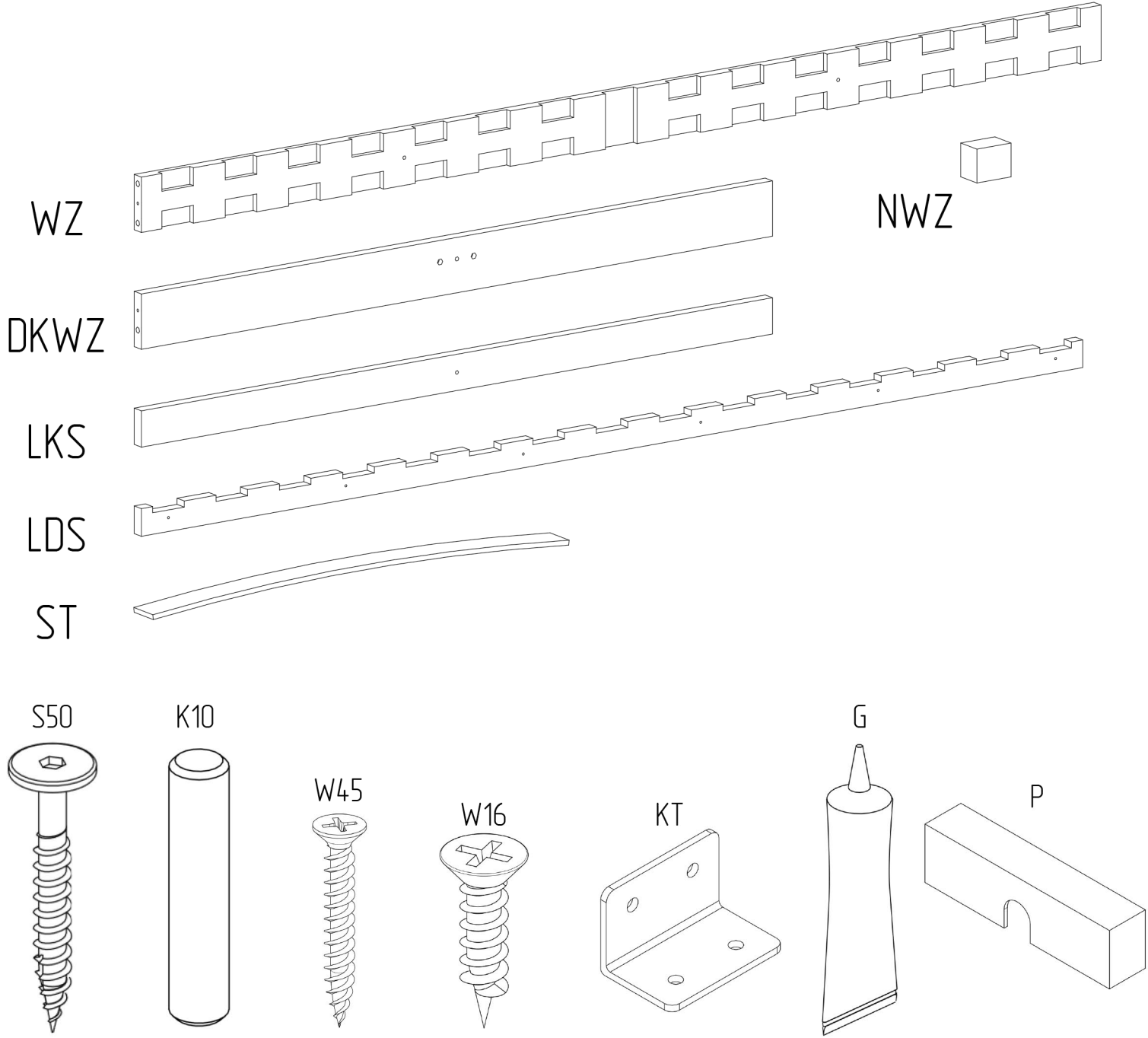
S80





XL BED OVER 100cm WIDE

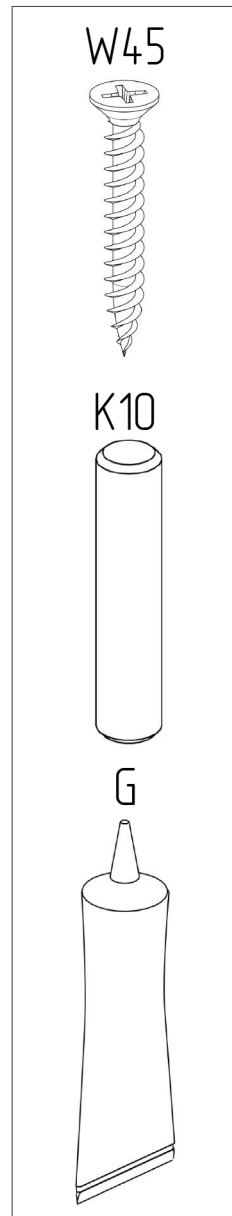
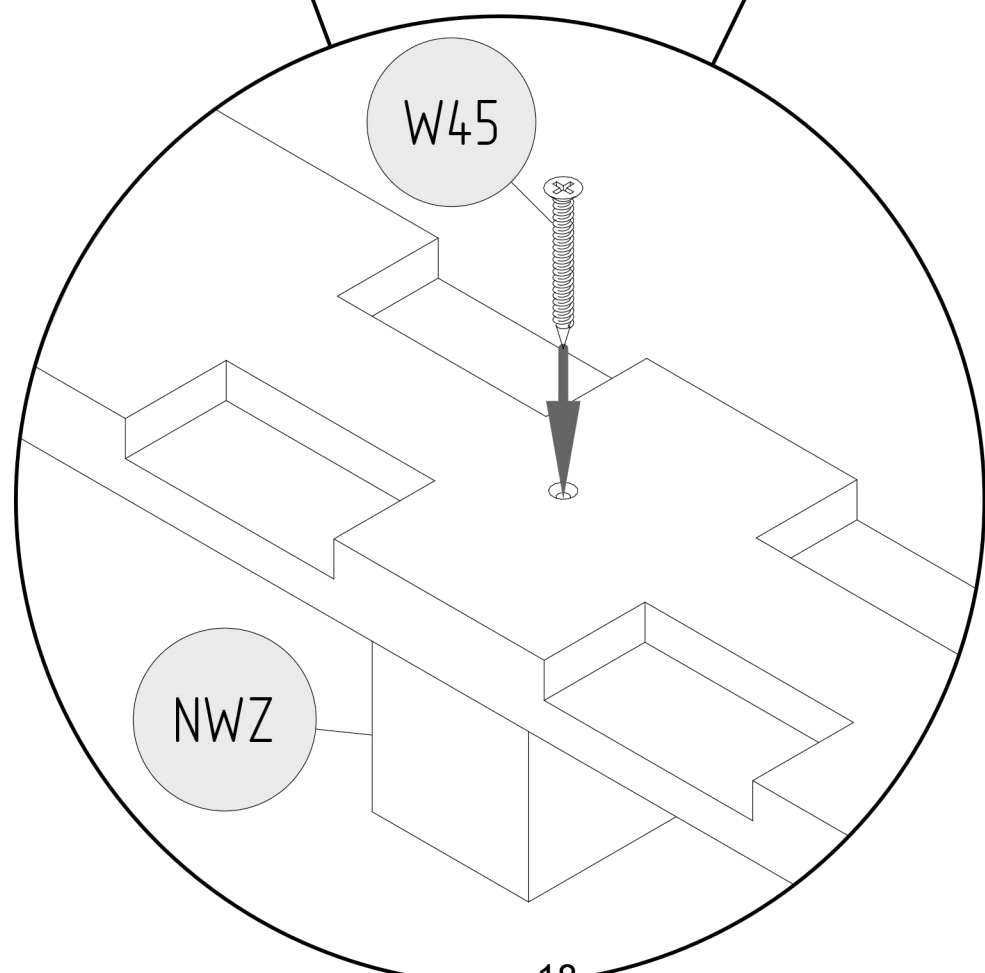
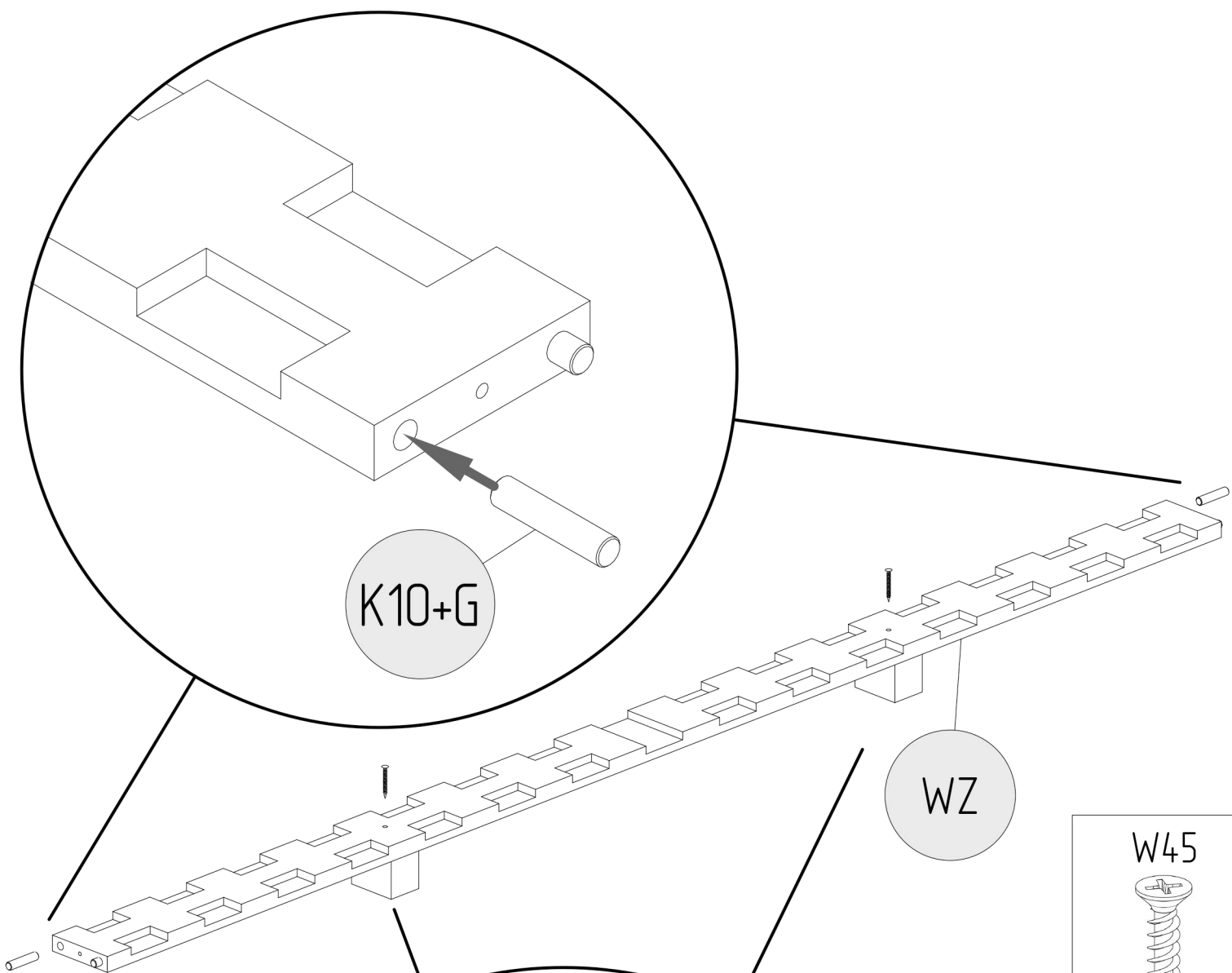


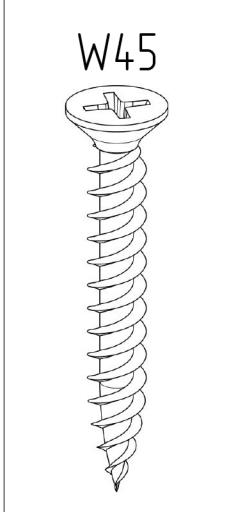
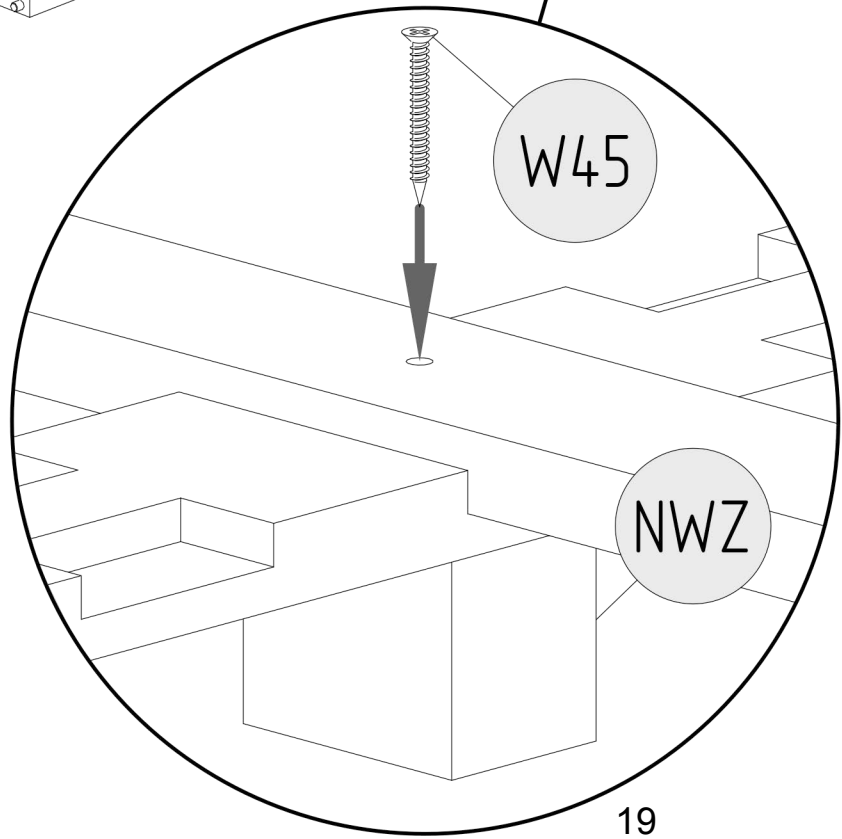
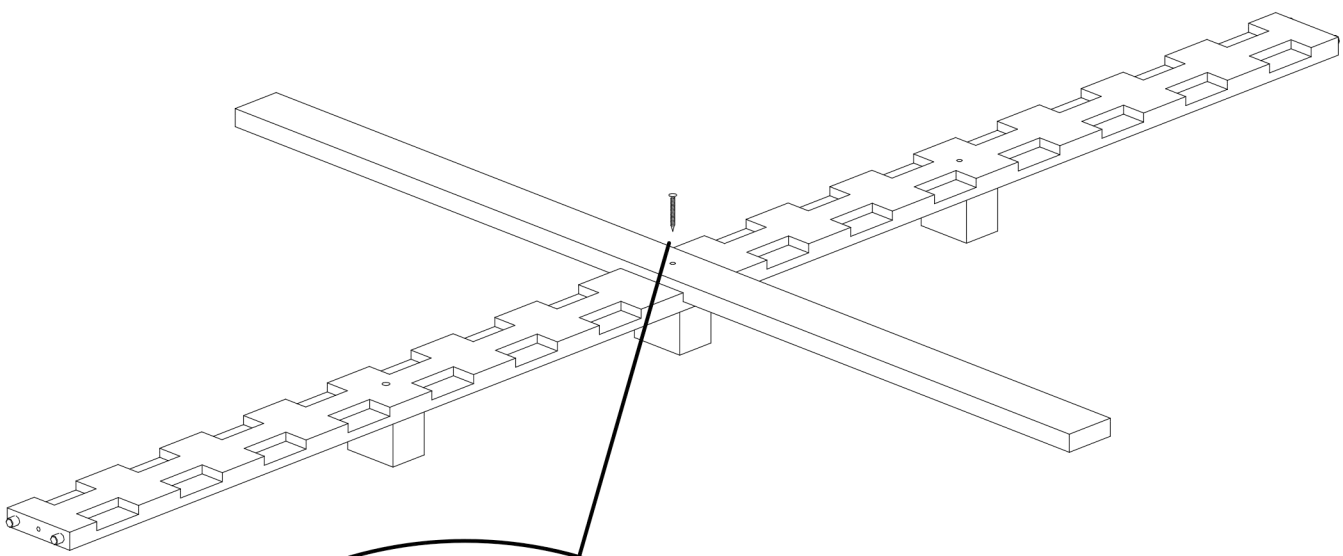
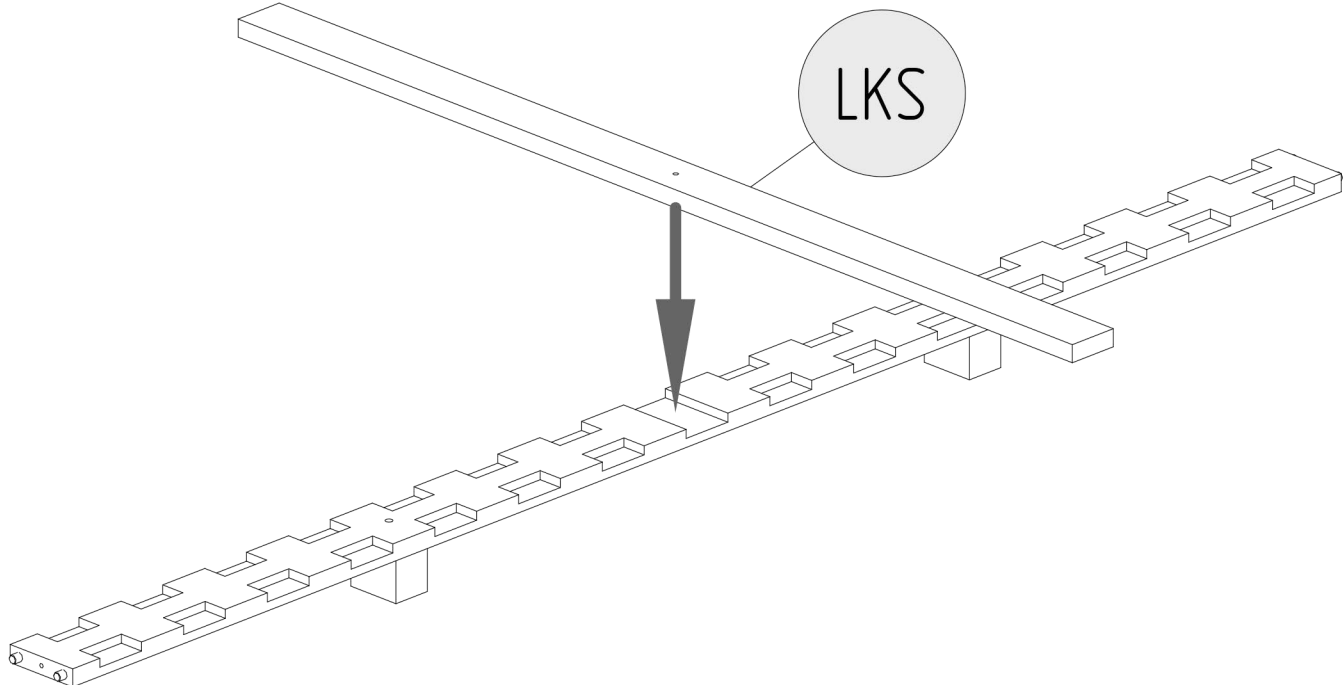


| ST | |
|-------------|----------|
| LENGTH [cm] | QUANTITY |
| 180 | 28 |
| 190 | 32 |
| 200 | 32 |

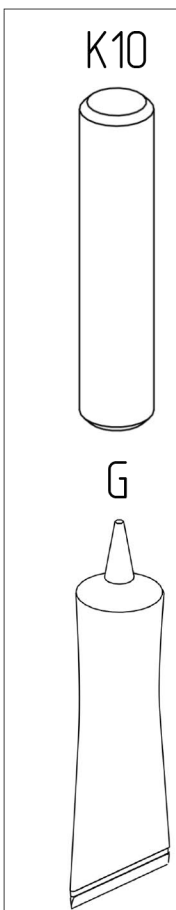
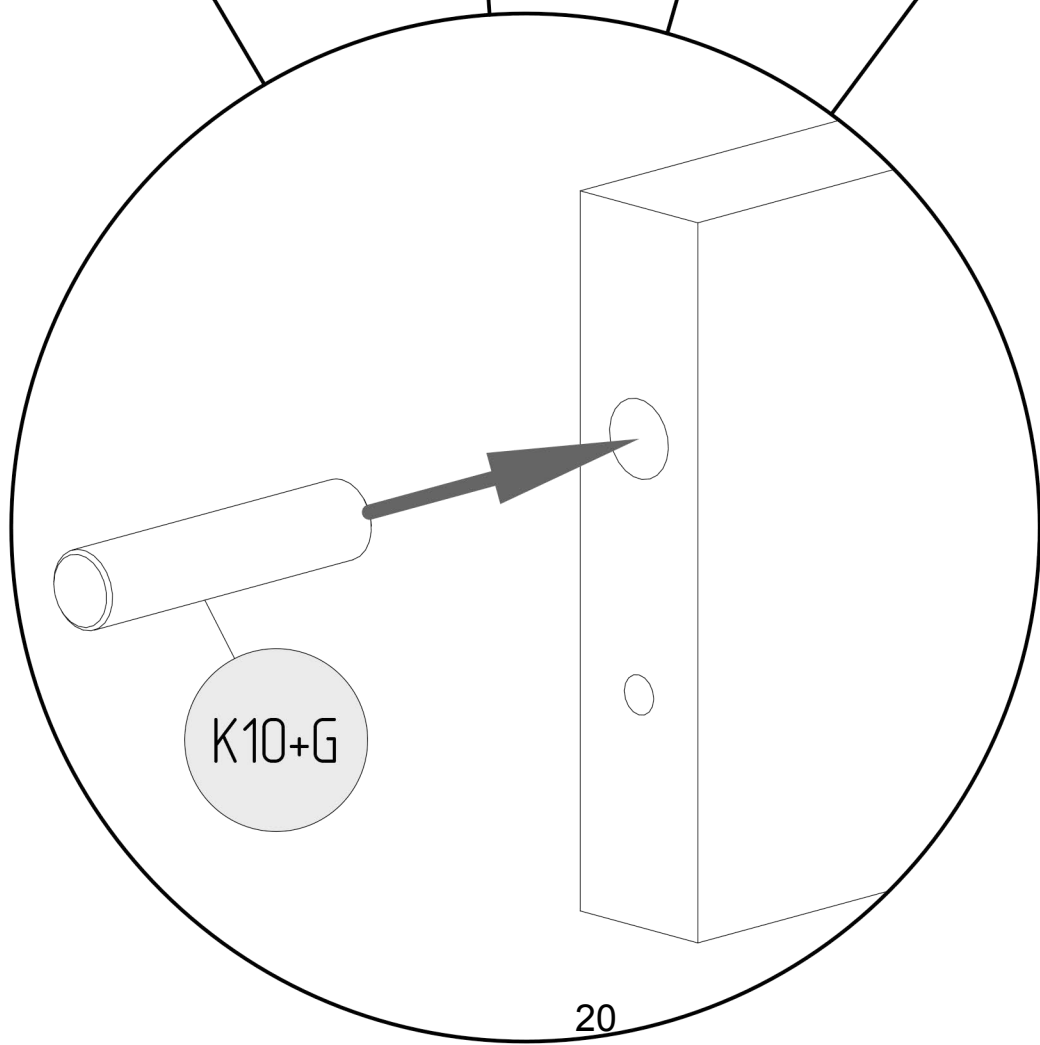
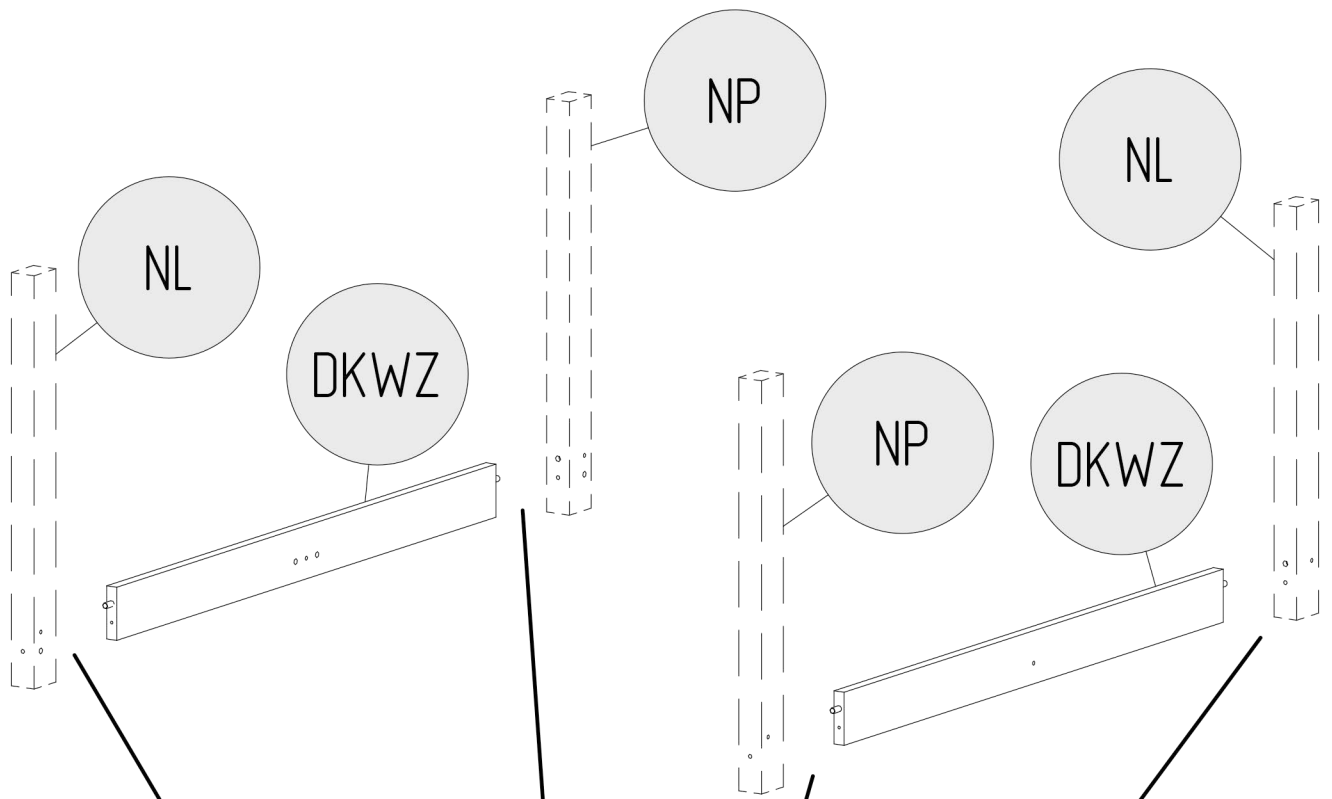
| P | |
|-------------|----------|
| LENGTH [cm] | QUANTITY |
| 180 | 56 |
| 190 | 64 |
| 200 | 64 |

| PART | WZ | DKWZ | NWZ | LKS | LDS | S50 | K10 | W45 | W16 | KT |
|----------|----|------|-----|-----|-----|-----|-----|-----|-----|----|
| QUANTITY | 1 | 2 | 3 | 1 | 2 | 2 | 4 | 3 | 8 | 2 |

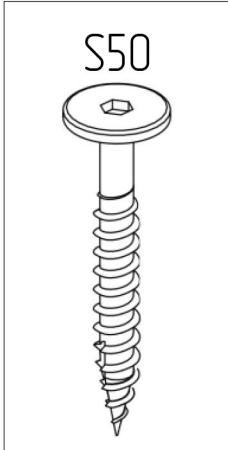
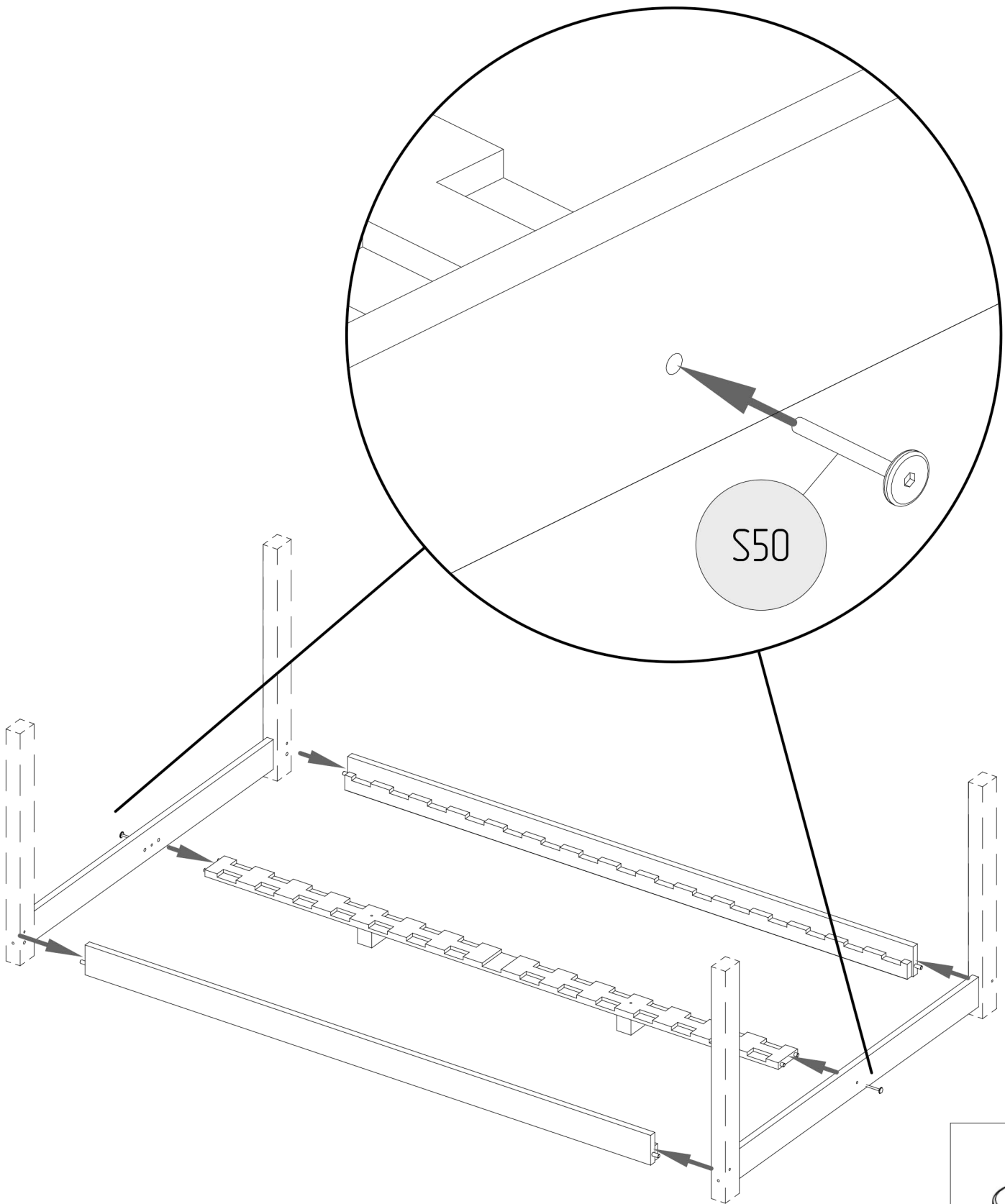


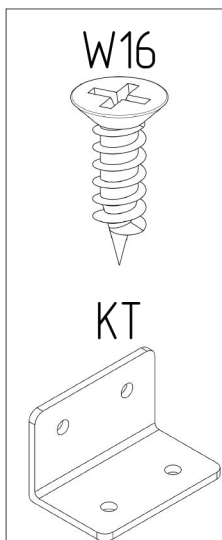
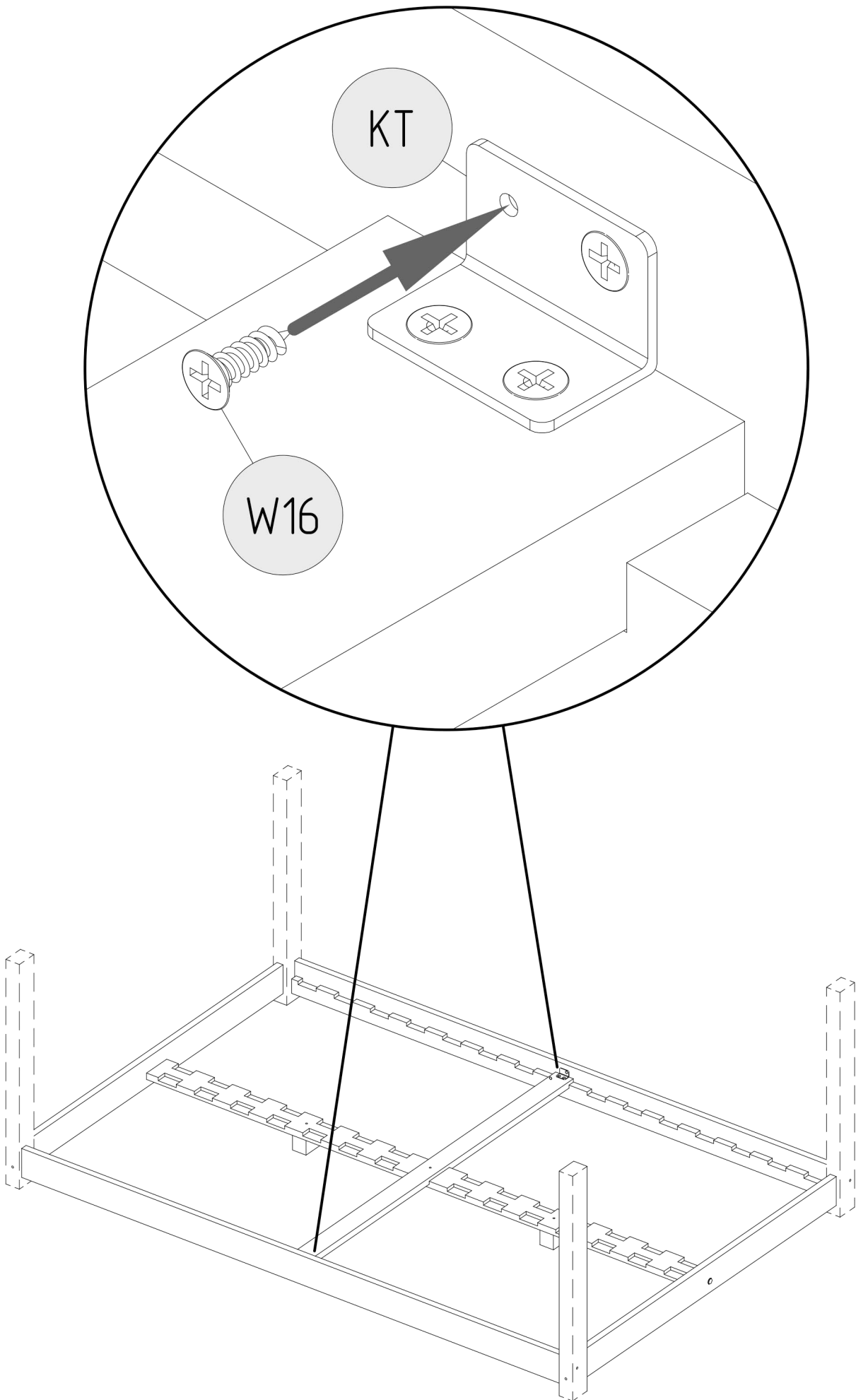


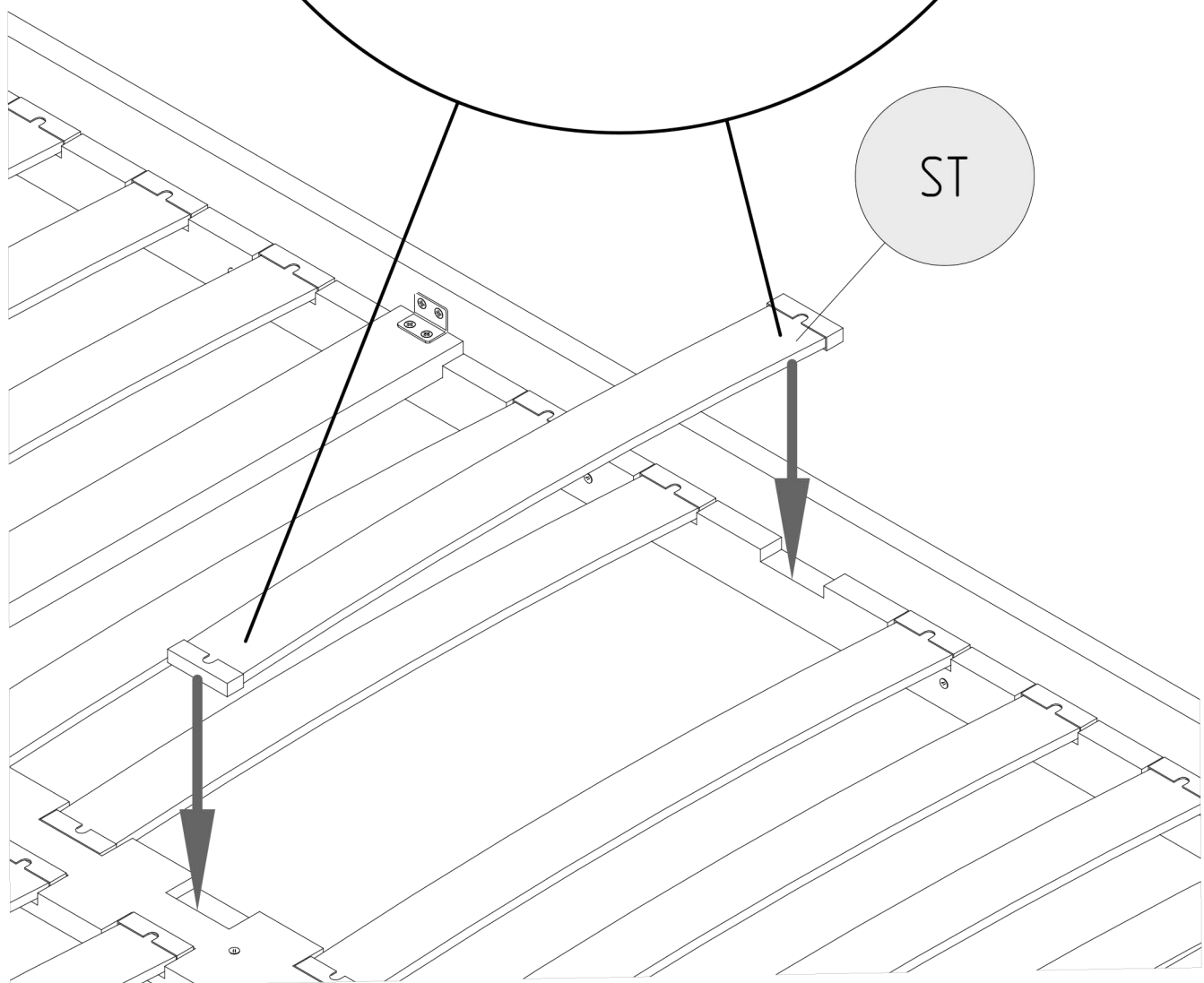
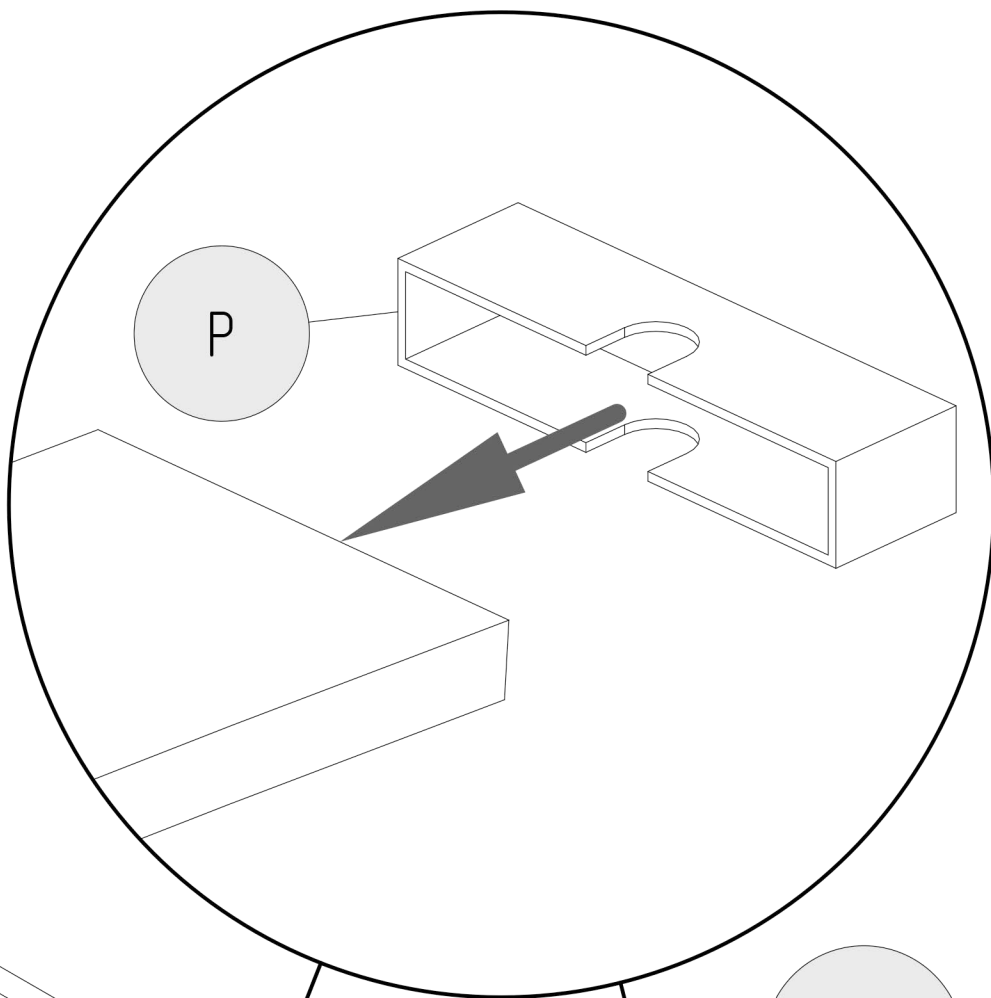
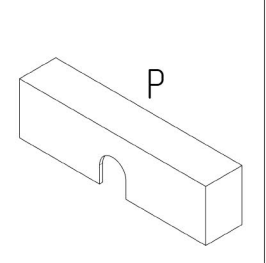
TO PROPERLY SCREW DOWN THE BED LEG, SEE
THE FIRST PART OF THE MANUAL, PAGE 7



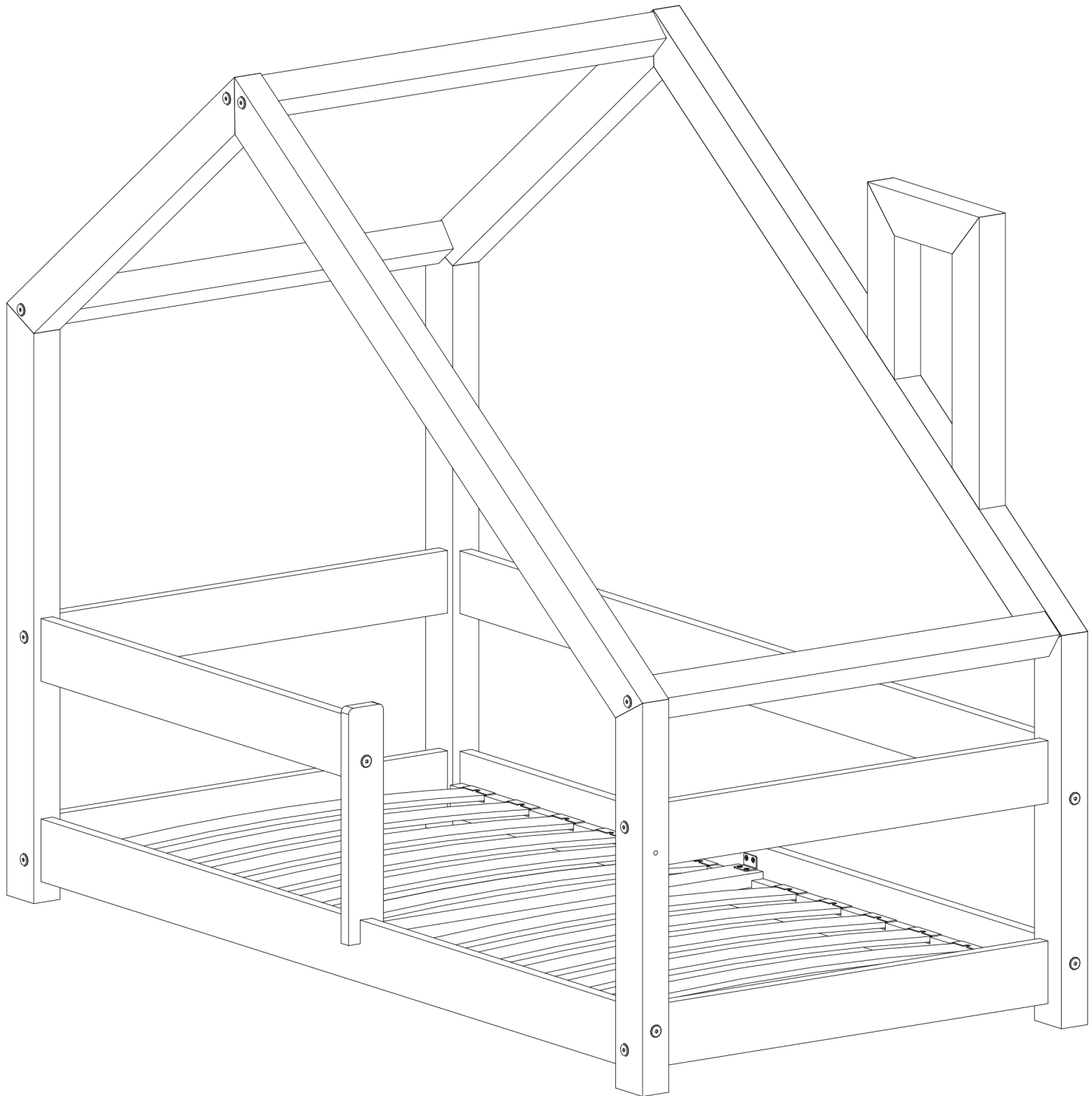
TO INSTALL ALL THE ELEMENTS CORRECTLY,
PLEASE REFER TO THE FIRST PART OF MANUAL

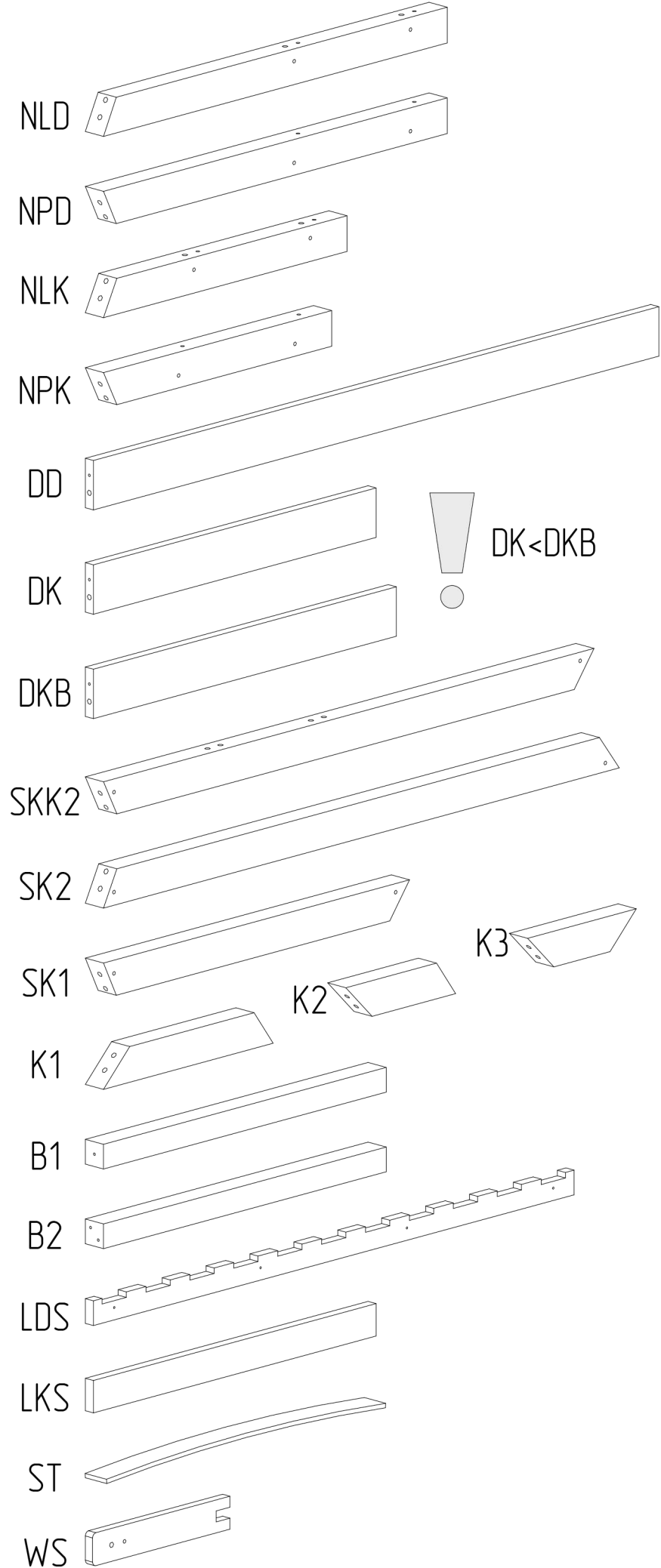






MANOR WITH BARRIER

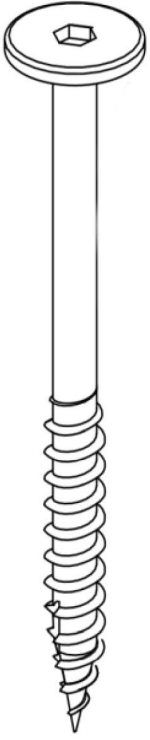




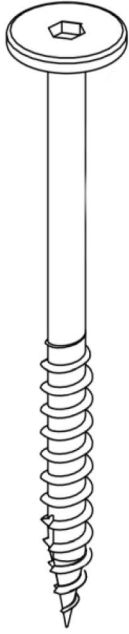
| PART | QUANTITY |
|------|----------|
| NLD | 1 |
| NPD | 1 |
| NLK | 1 |
| NPK | 1 |
| DD | 3 |
| DK | 4 |
| DKB | 1 |
| SKK2 | 1 |
| SK2 | 1 |
| SK1 | 2 |
| K1 | 1 |
| K2 | 1 |
| K3 | 1 |
| B1 | 2 |
| B2 | 1 |
| LDS | 2 |
| LKS | 1 |
| WS | 1 |

| ST | |
|----------------|----------|
| LENGTH (cm) | QUANTITY |
| 140 | 12 |
| 160 | 14 |
| 180 | 14 |
| 190 | 16 |
| 200 | 16 |

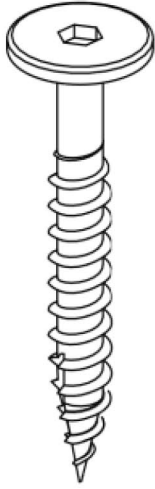
S110



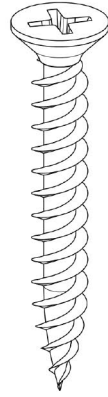
S80



S50



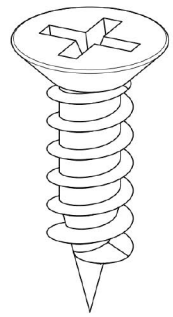
W30



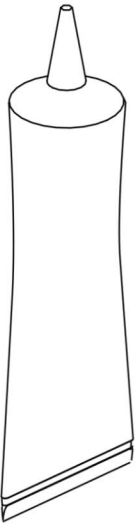
K10



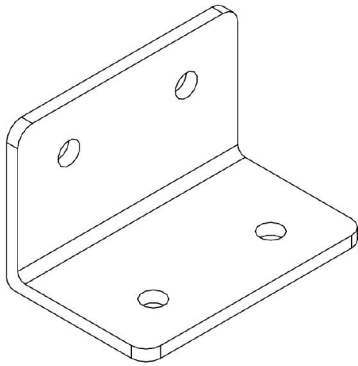
W16



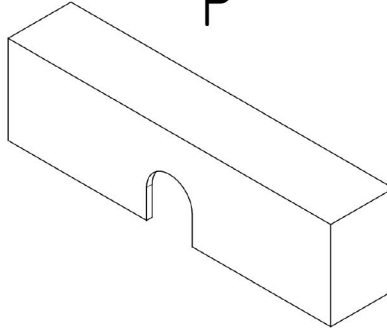
G



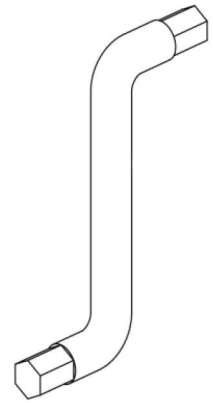
KT



P

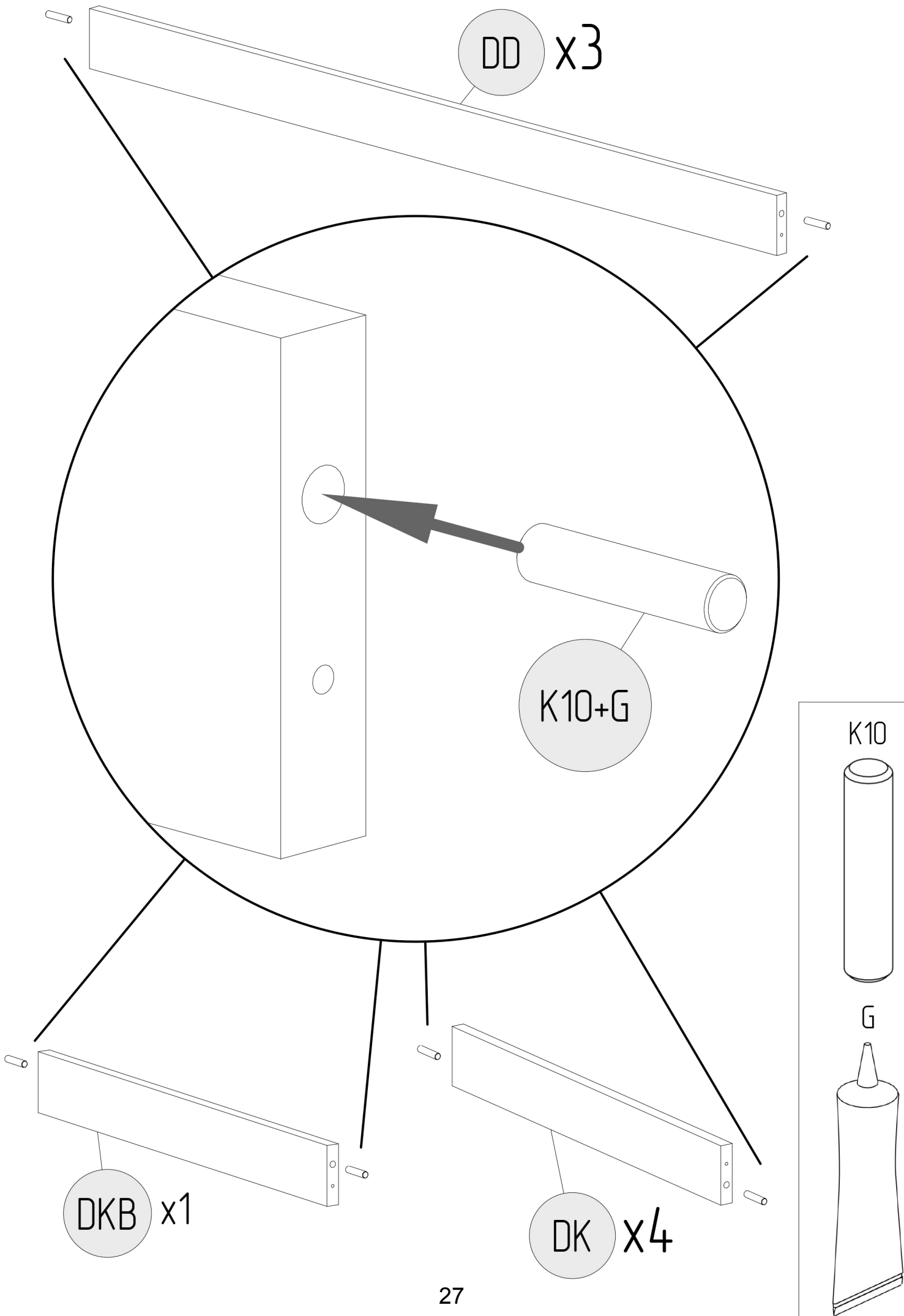


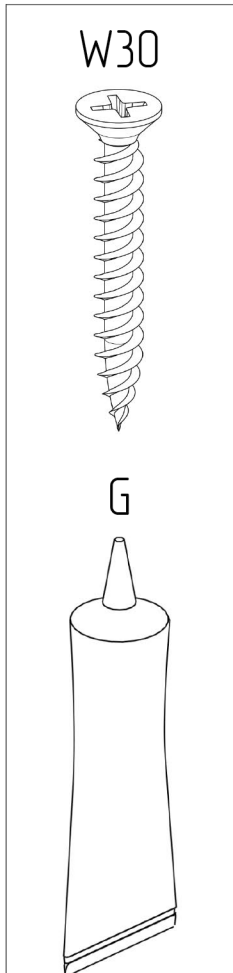
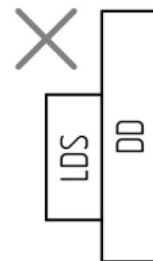
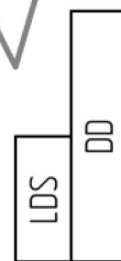
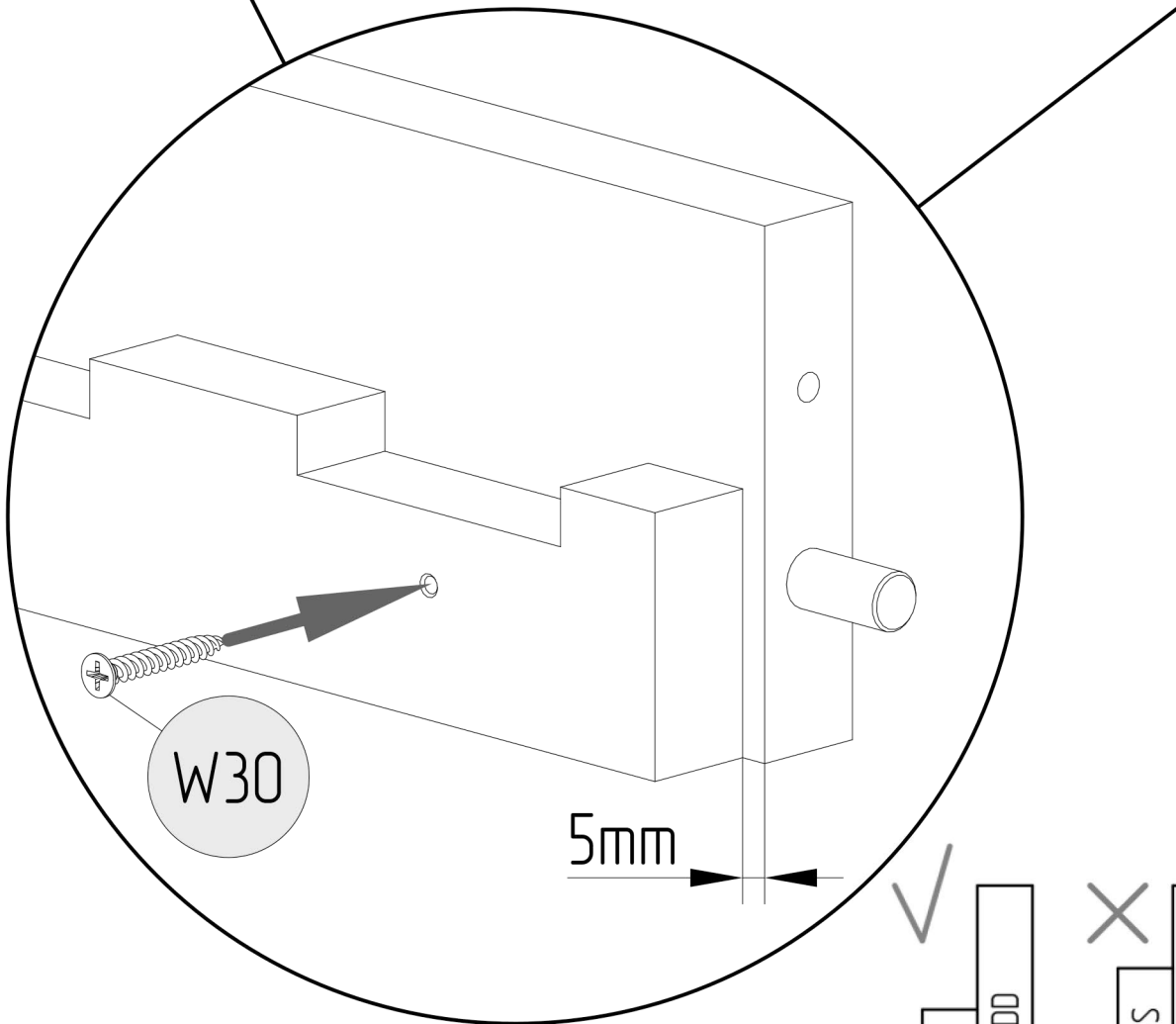
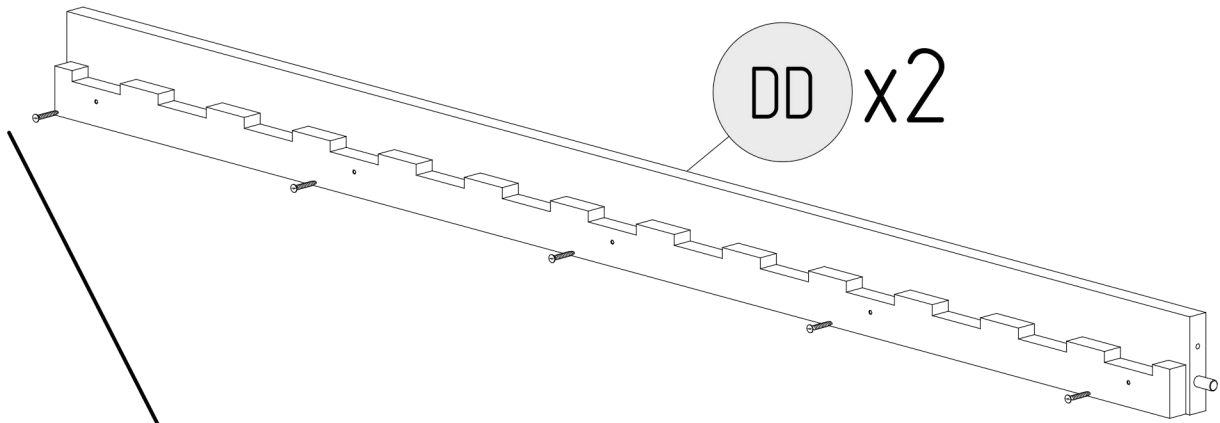
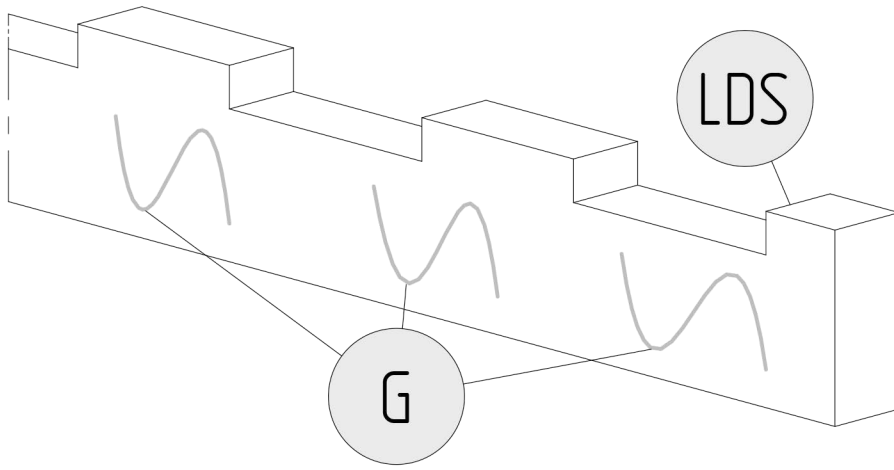
INBUS

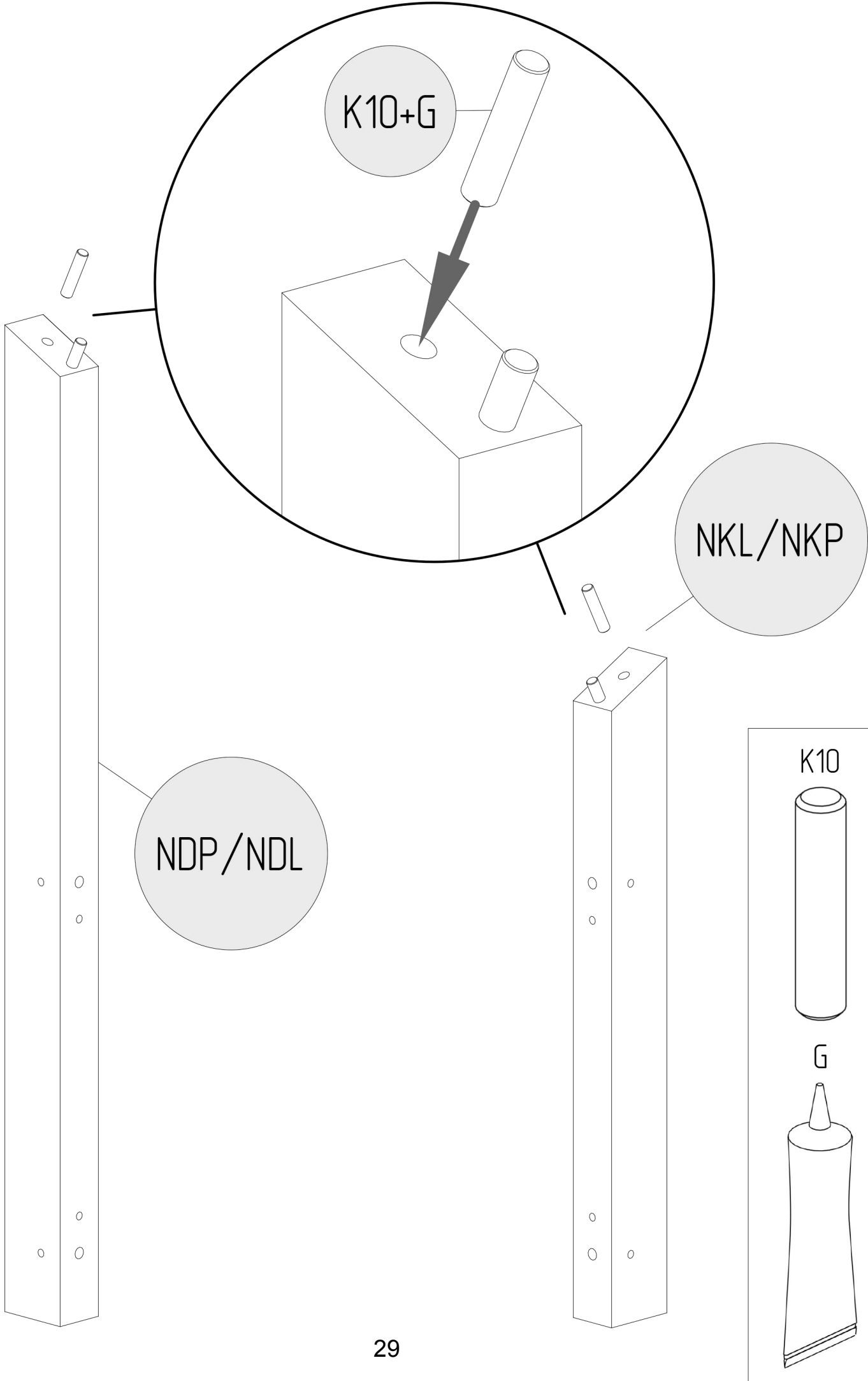


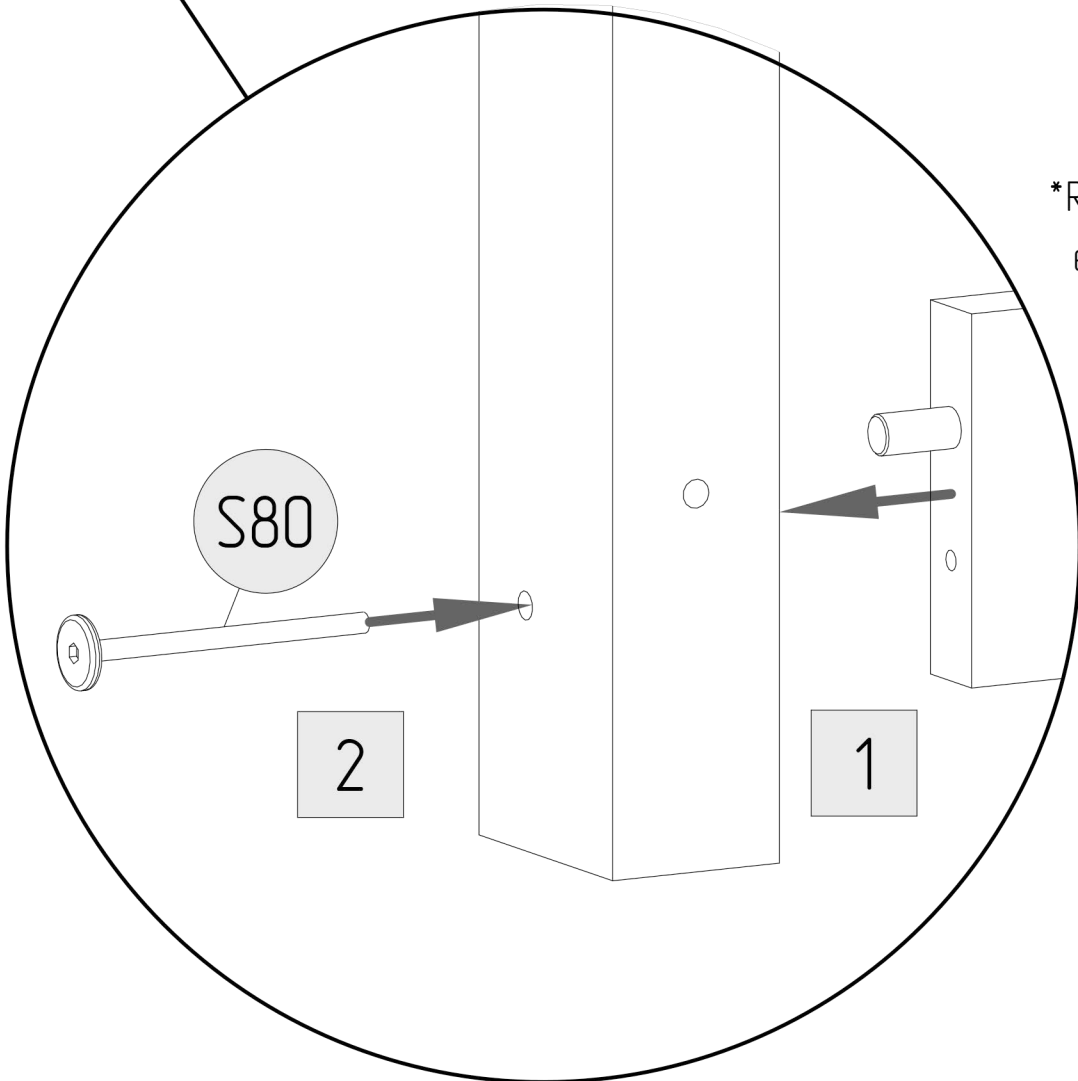
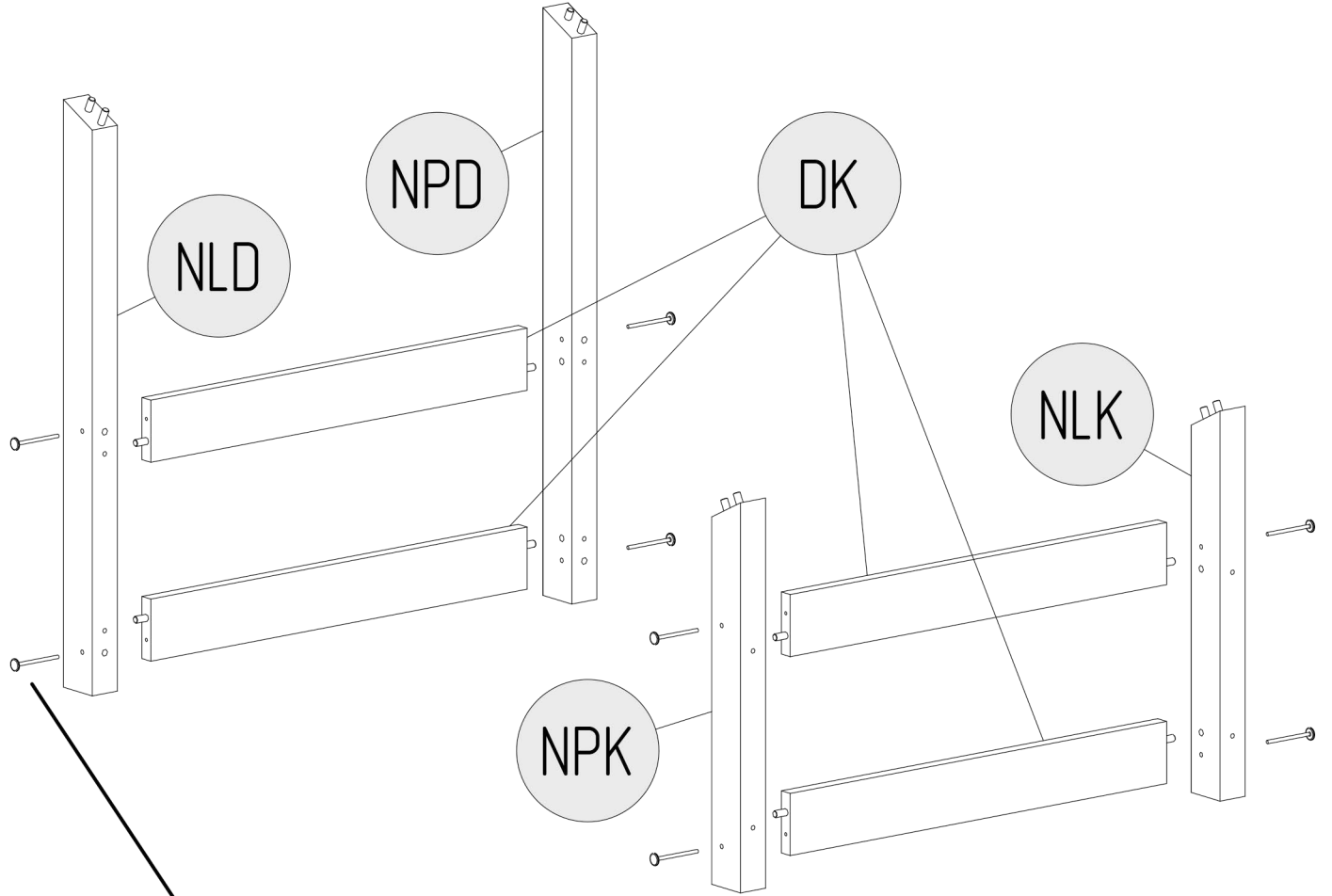
| P | |
|-------------|----------|
| LENGTH [cm] | QUANTITY |
| 140 | 24 |
| 160 | 28 |
| 180 | 28 |
| 190 | 32 |
| 200 | 32 |

| PART | S110 | S80 | S50 | W30 | K10 | W16 | G | KT | INBUS |
|----------|------|-----|-----|-----|-----|-----|---|----|-------|
| QUANTITY | 6 | 16 | 1 | 12 | 36 | 8 | 4 | 2 | 2 |

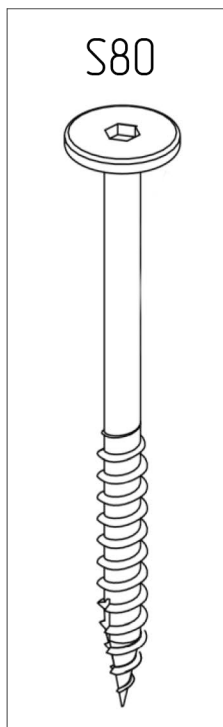


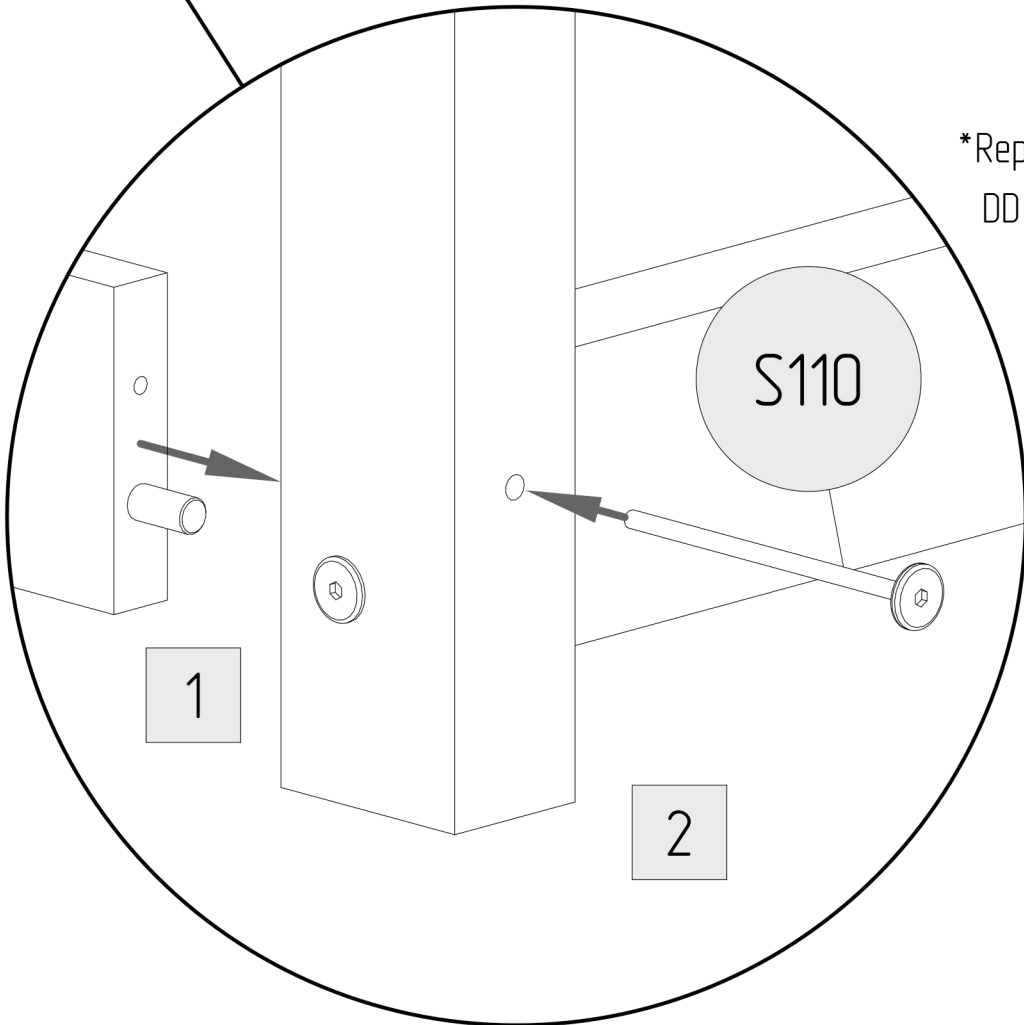
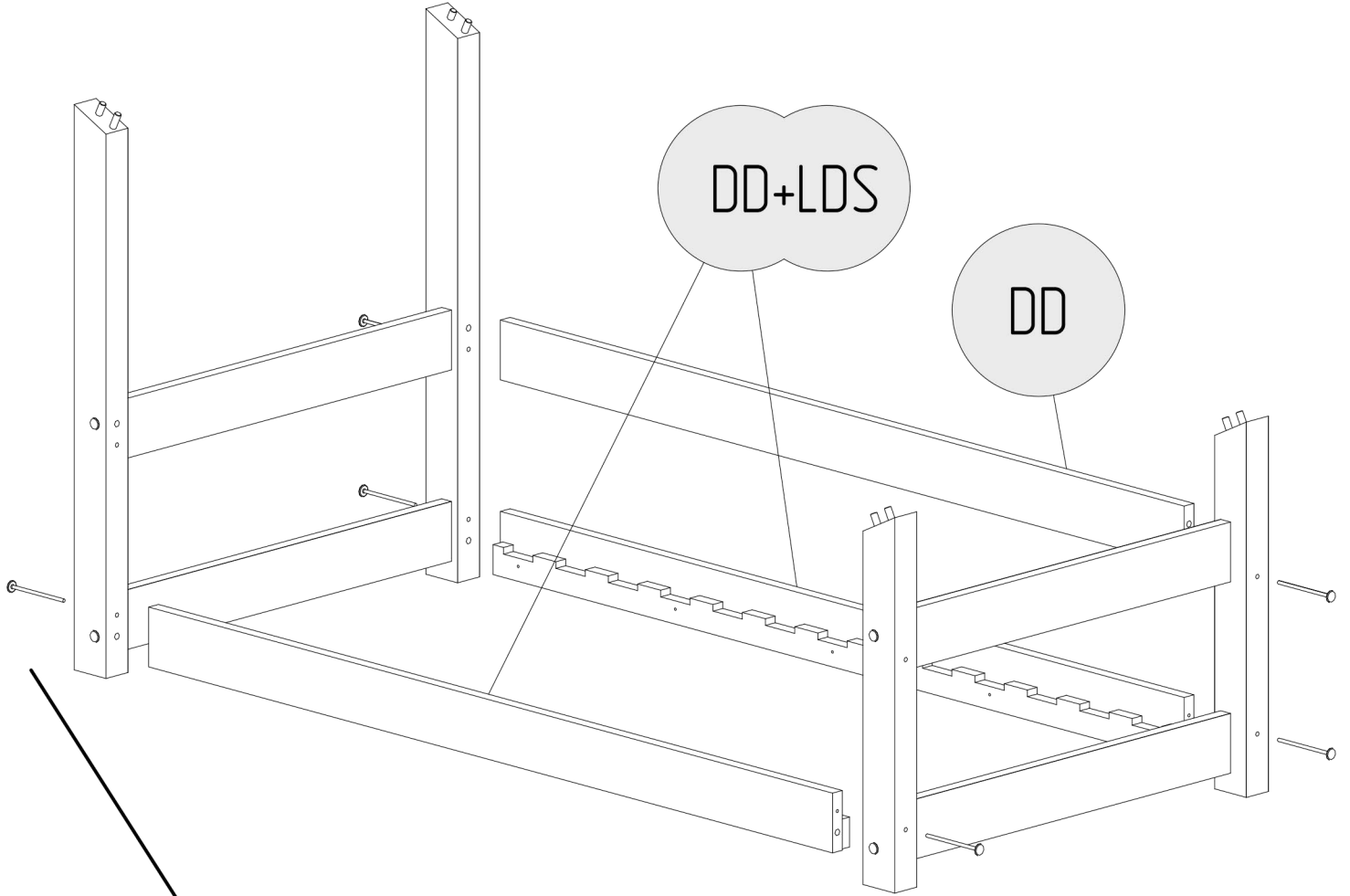




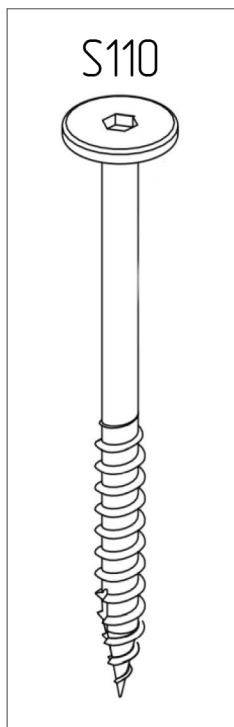


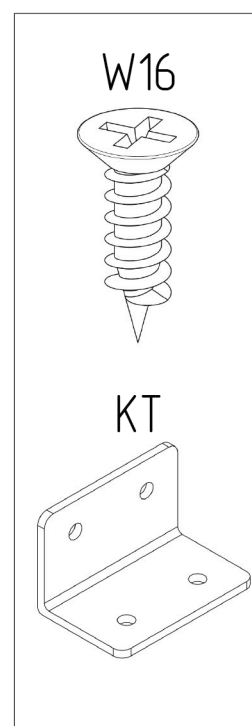
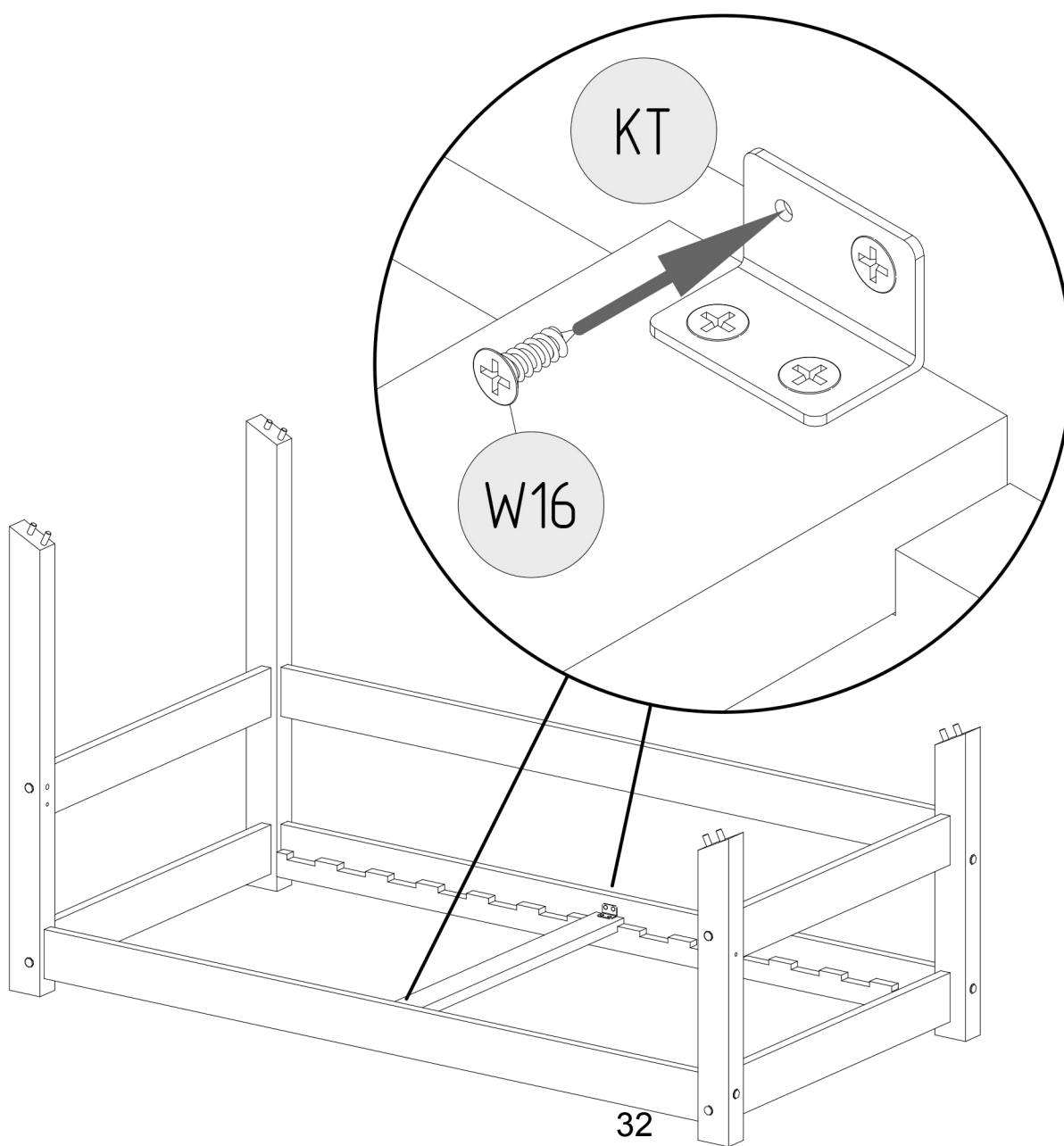
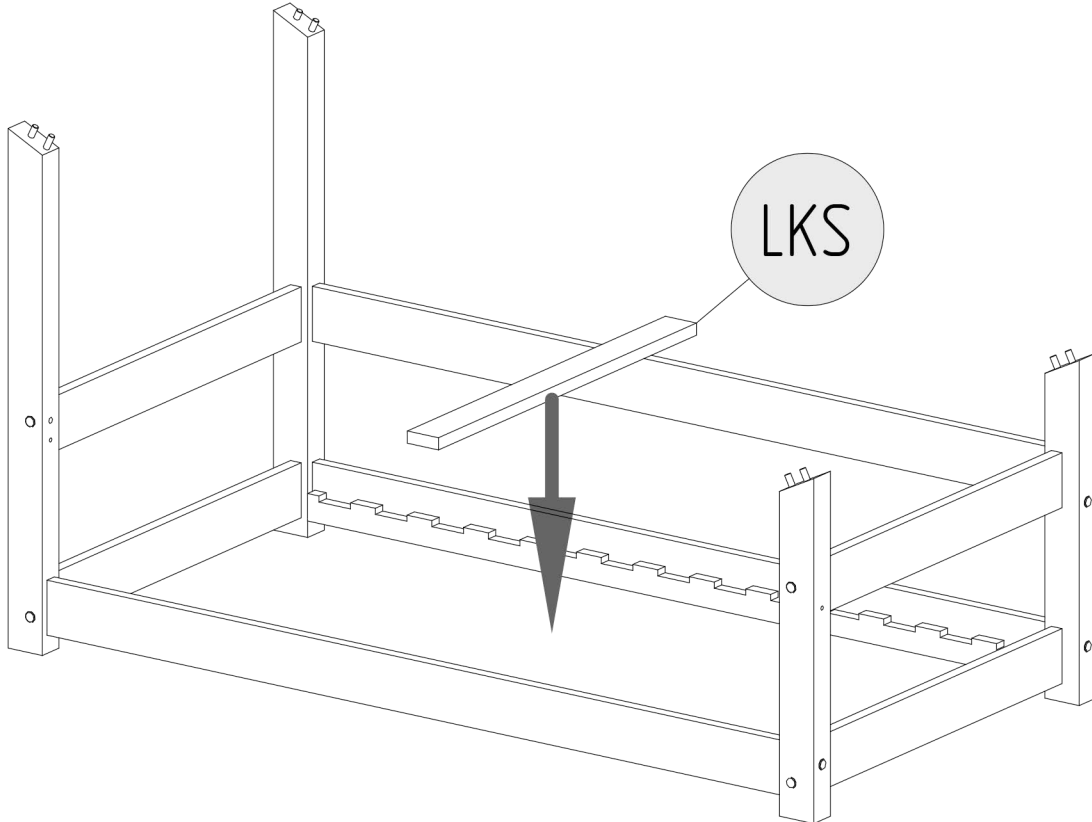
*Repeat the action to each DK timber

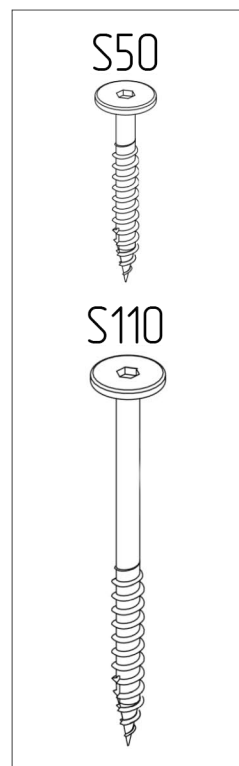
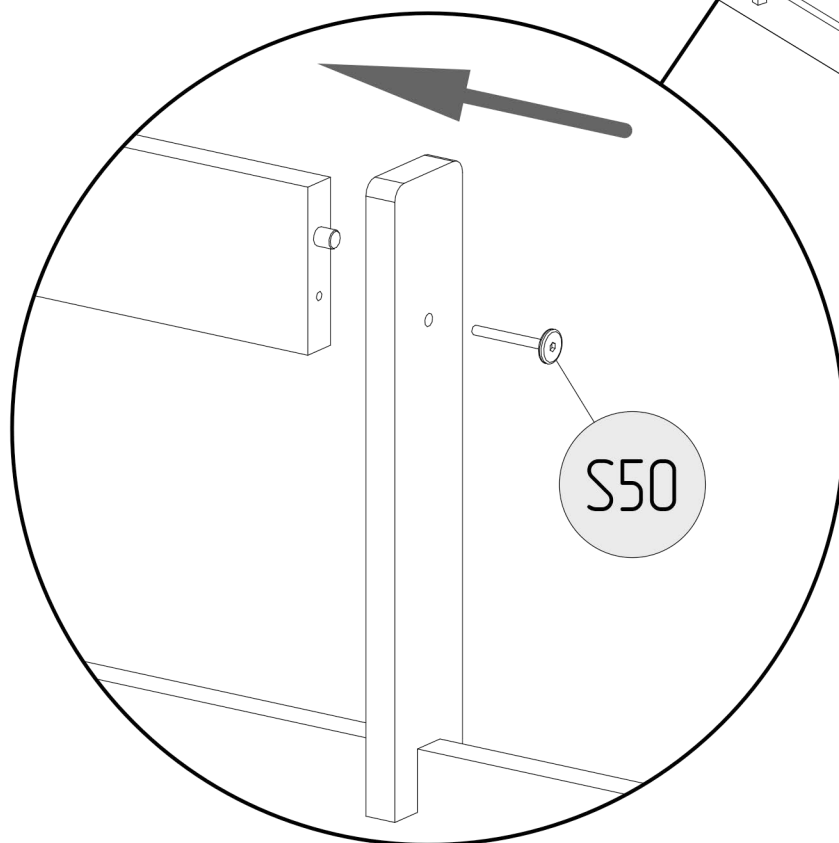
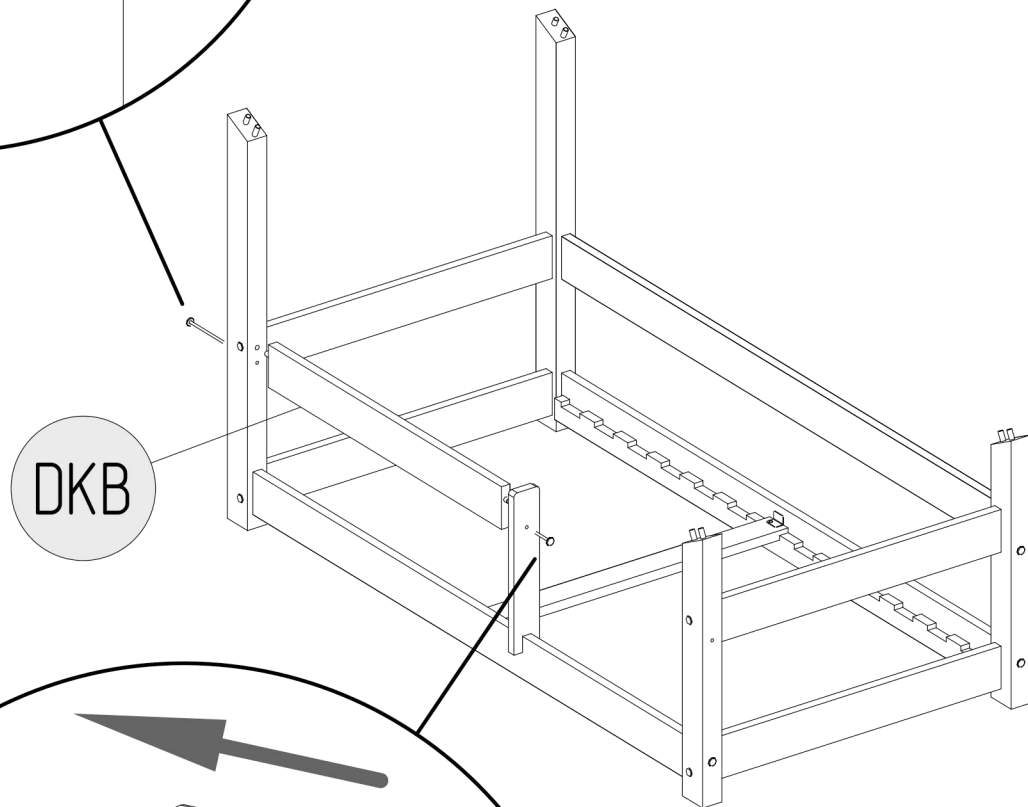
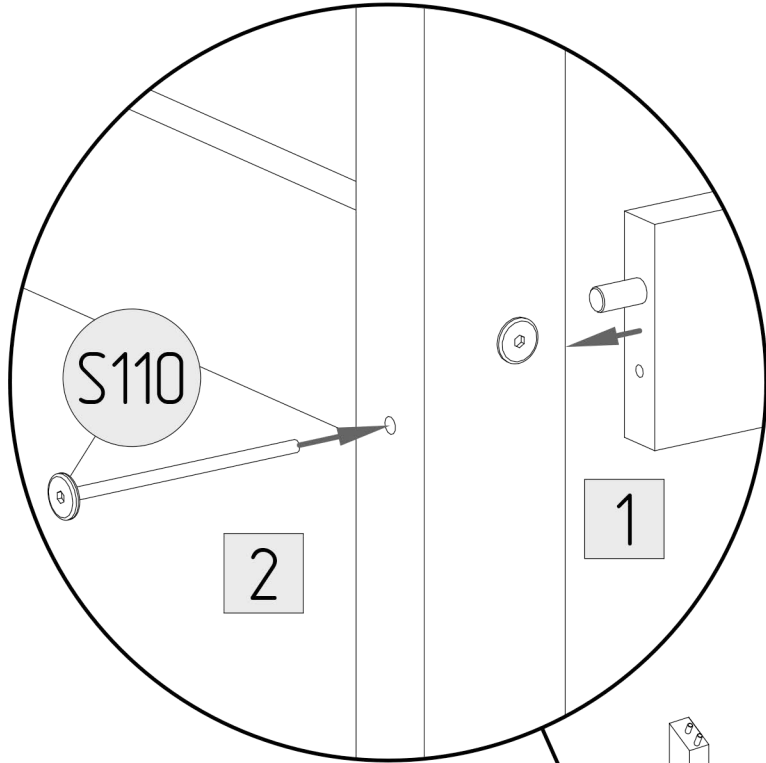




*Repeat the action to each DD and DD+LDS timber







K3

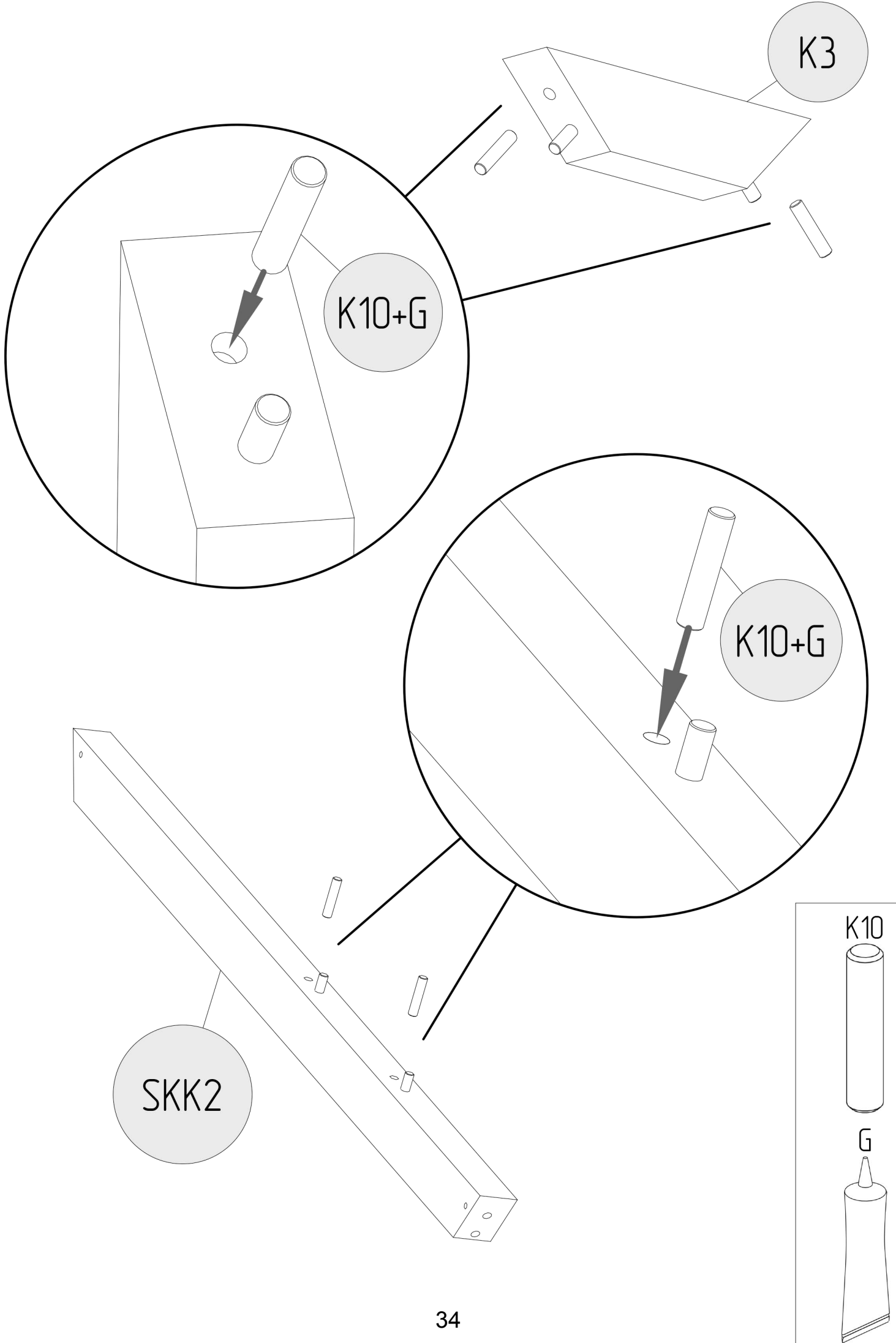
K10+G

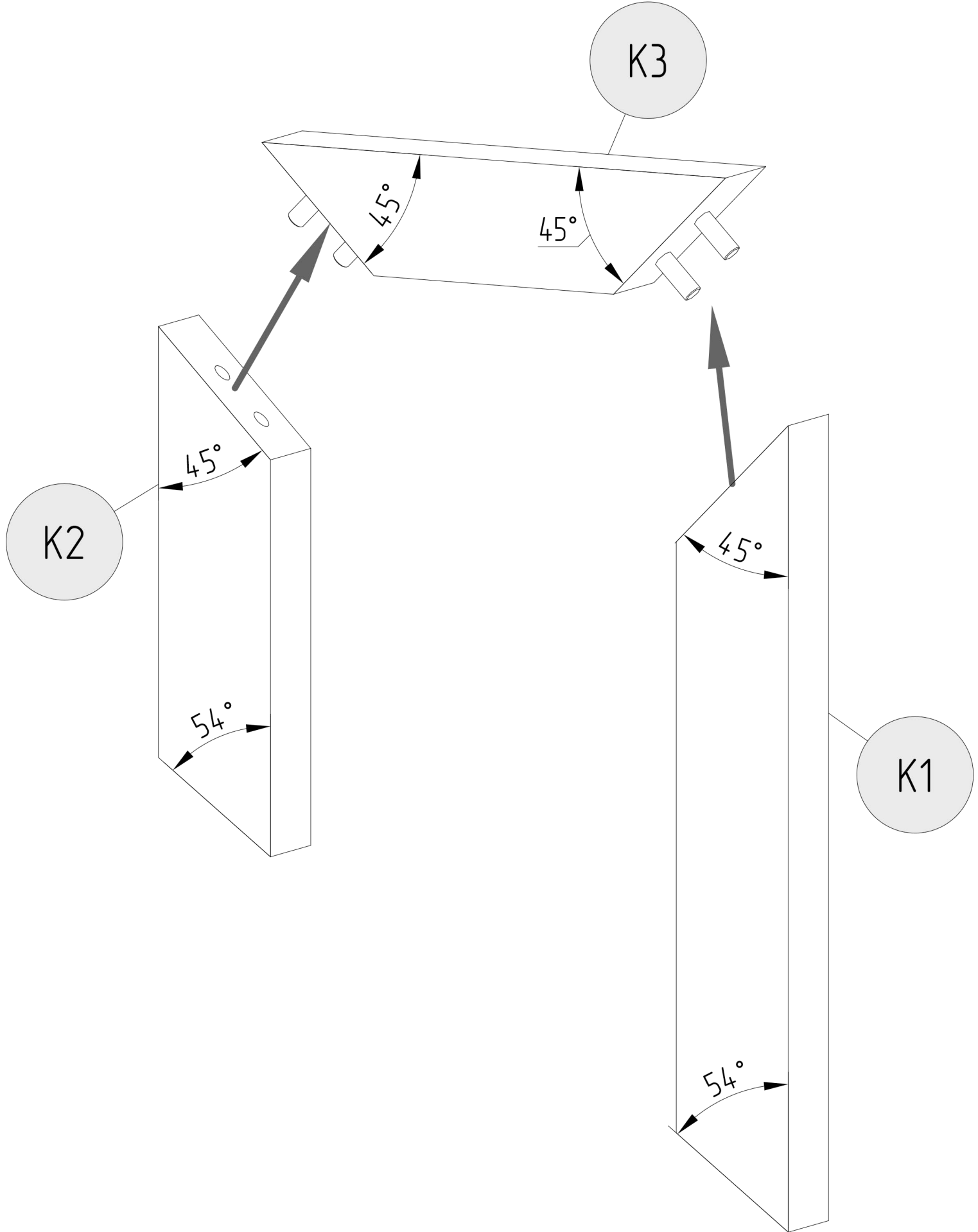
K10+G

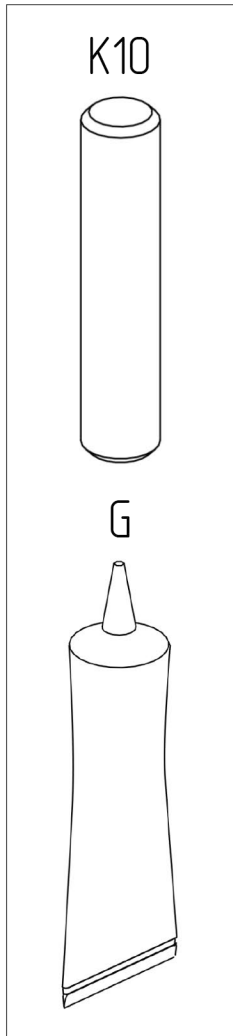
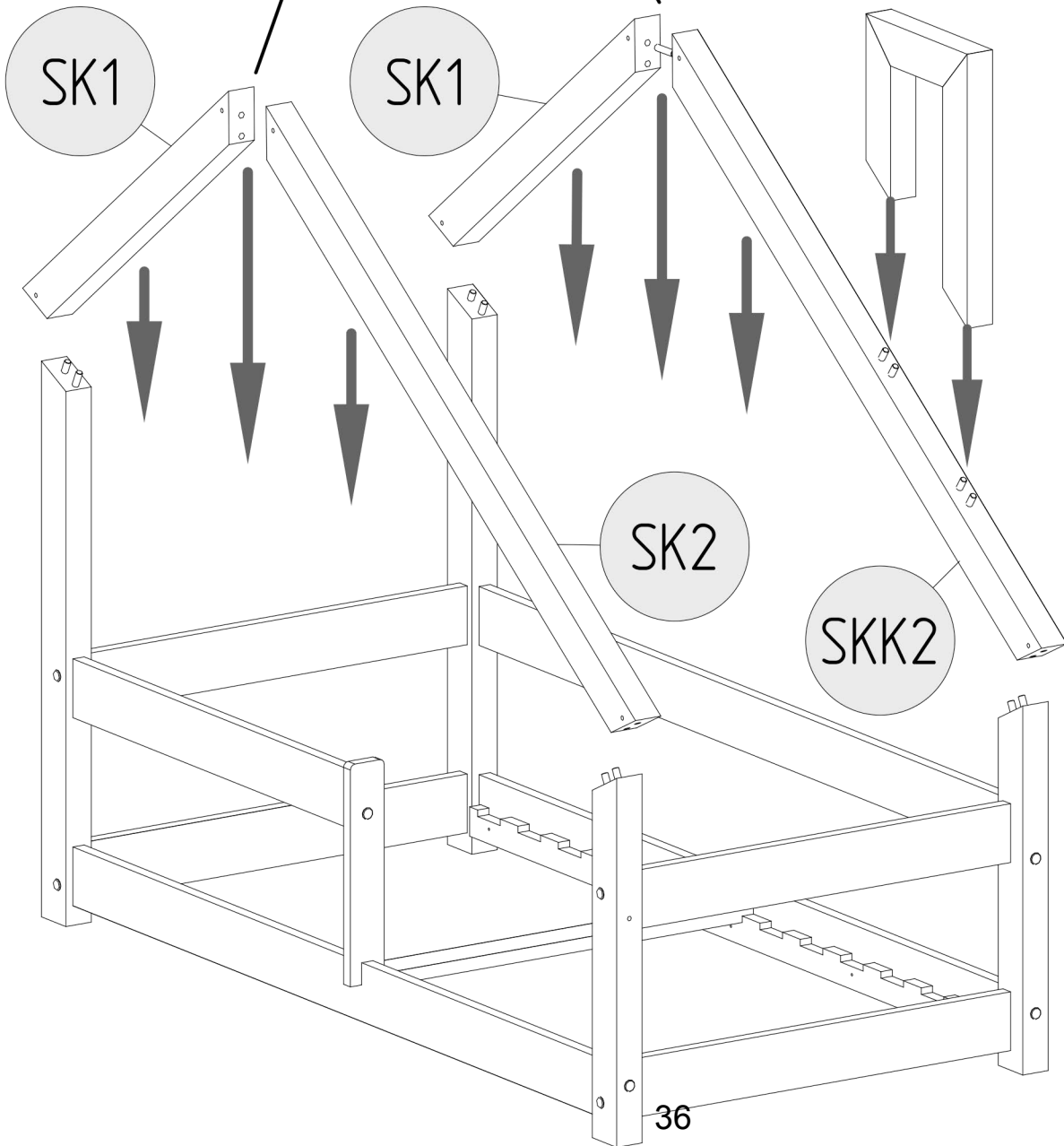
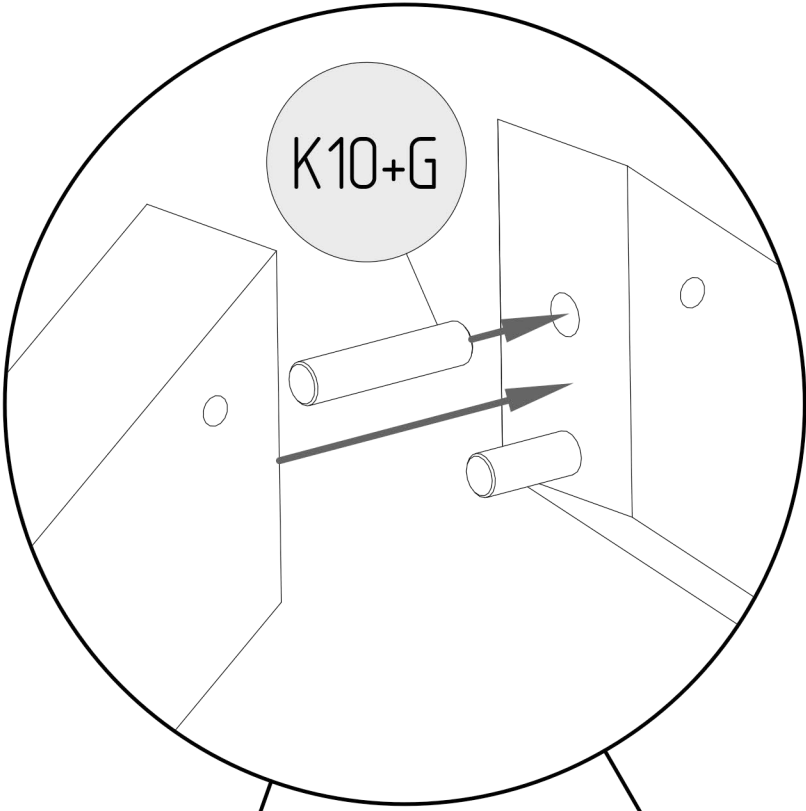
SKK2

K10

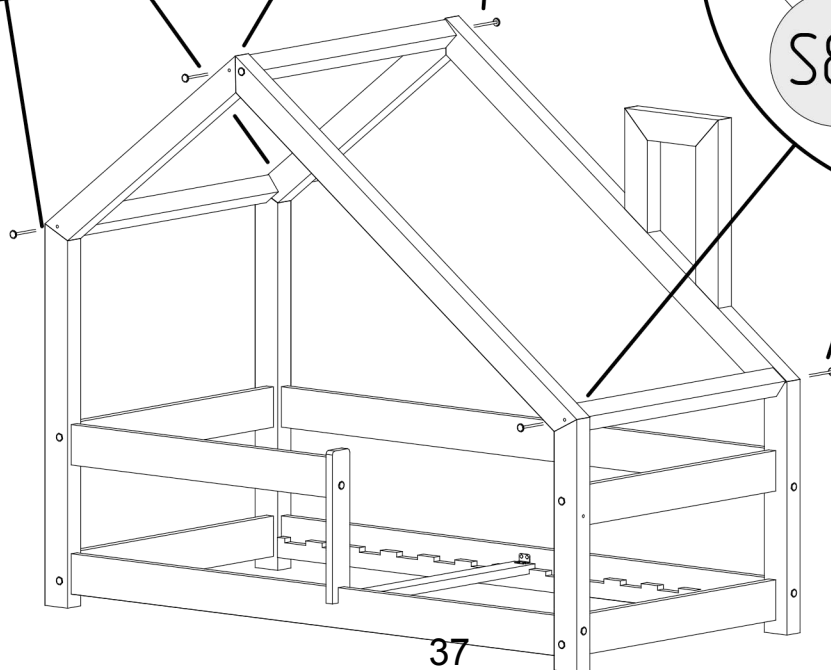
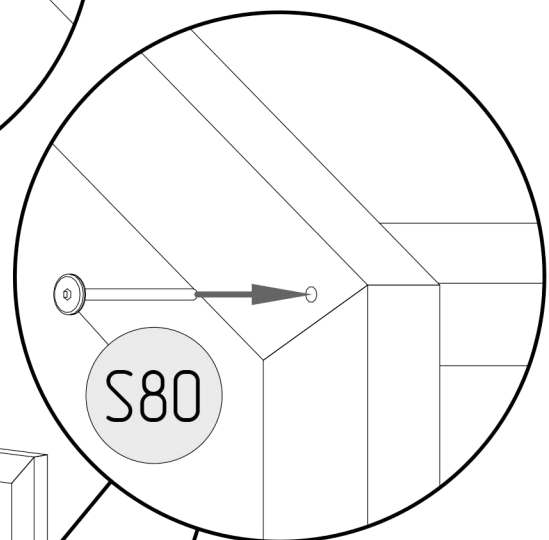
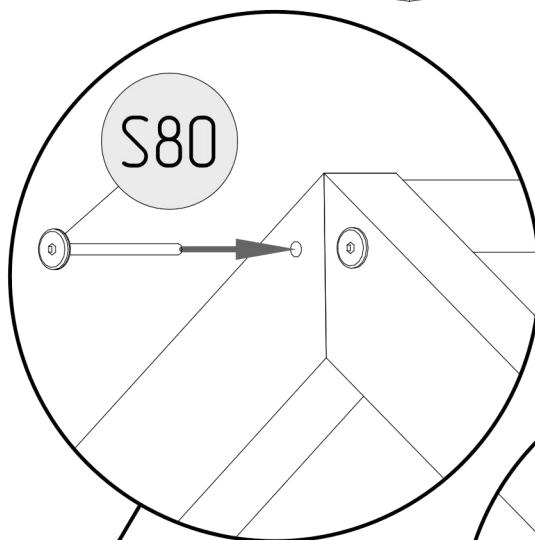
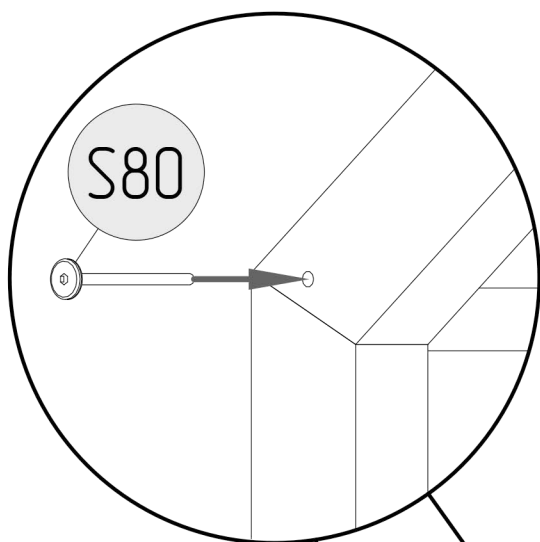
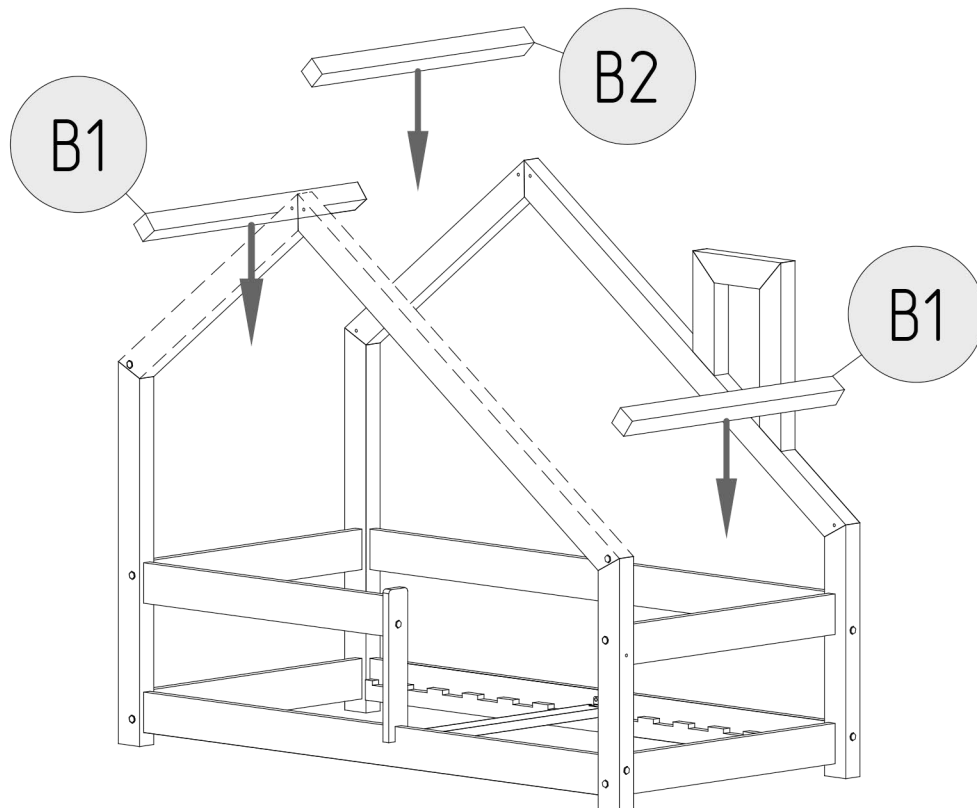
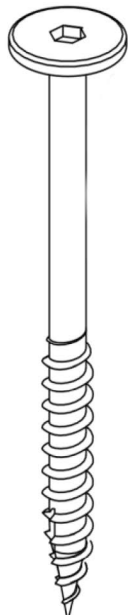
G

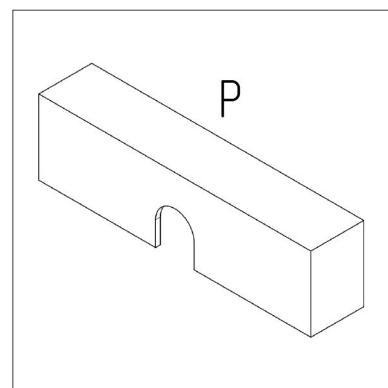
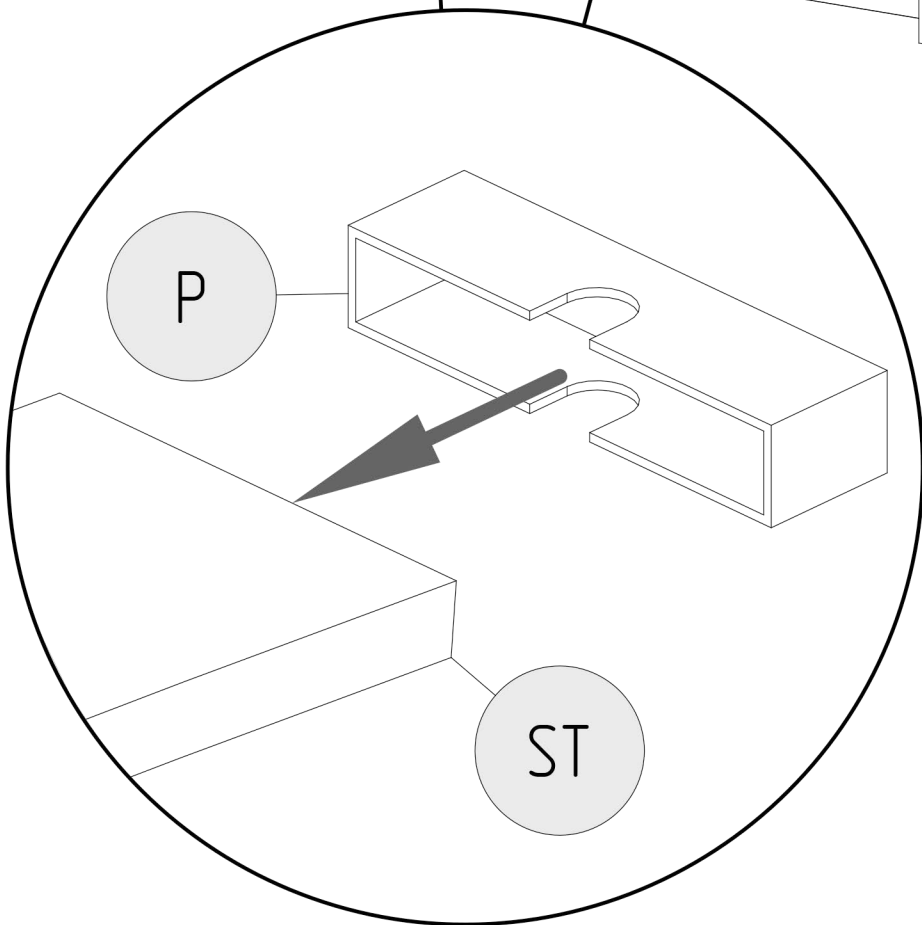
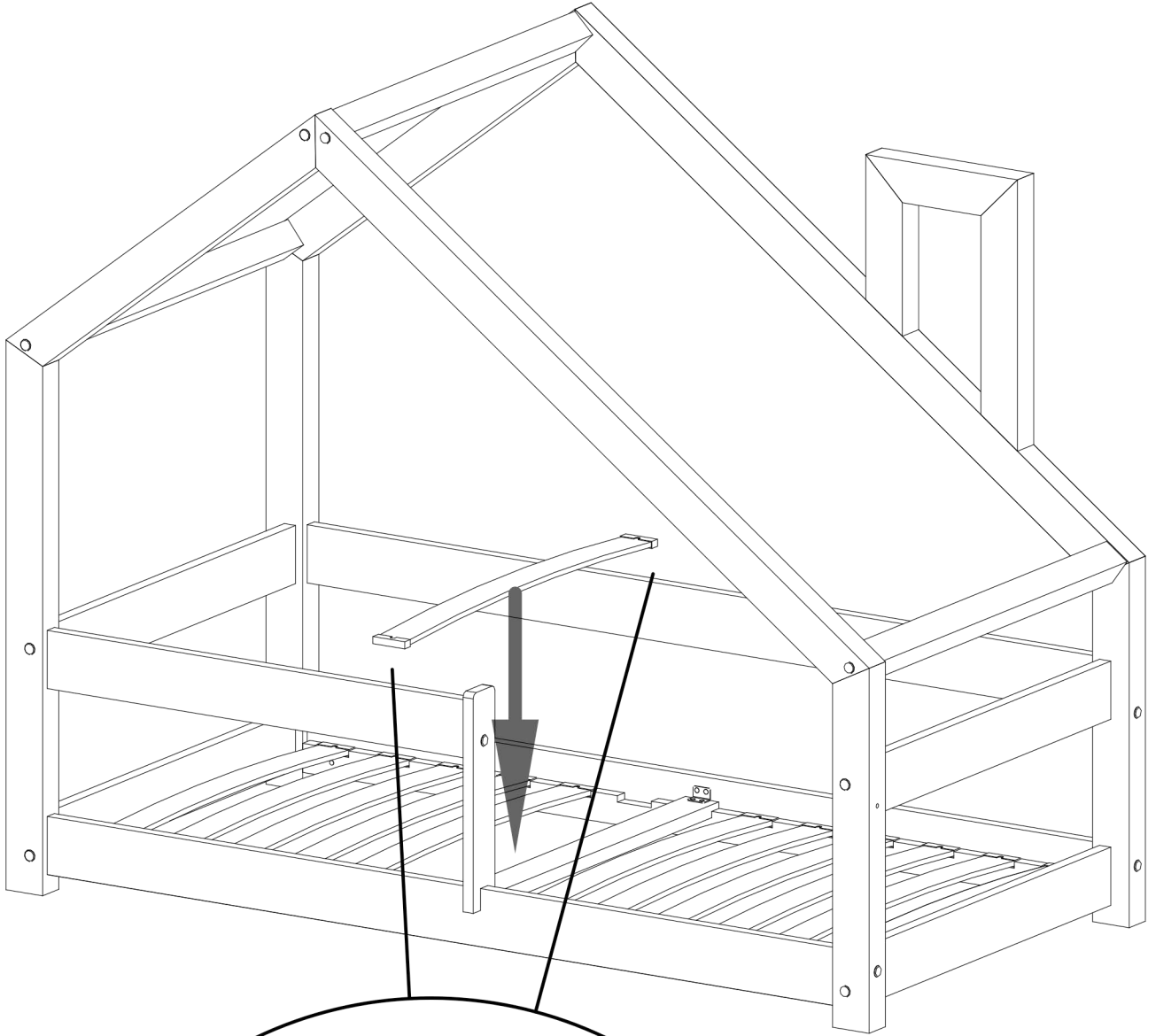




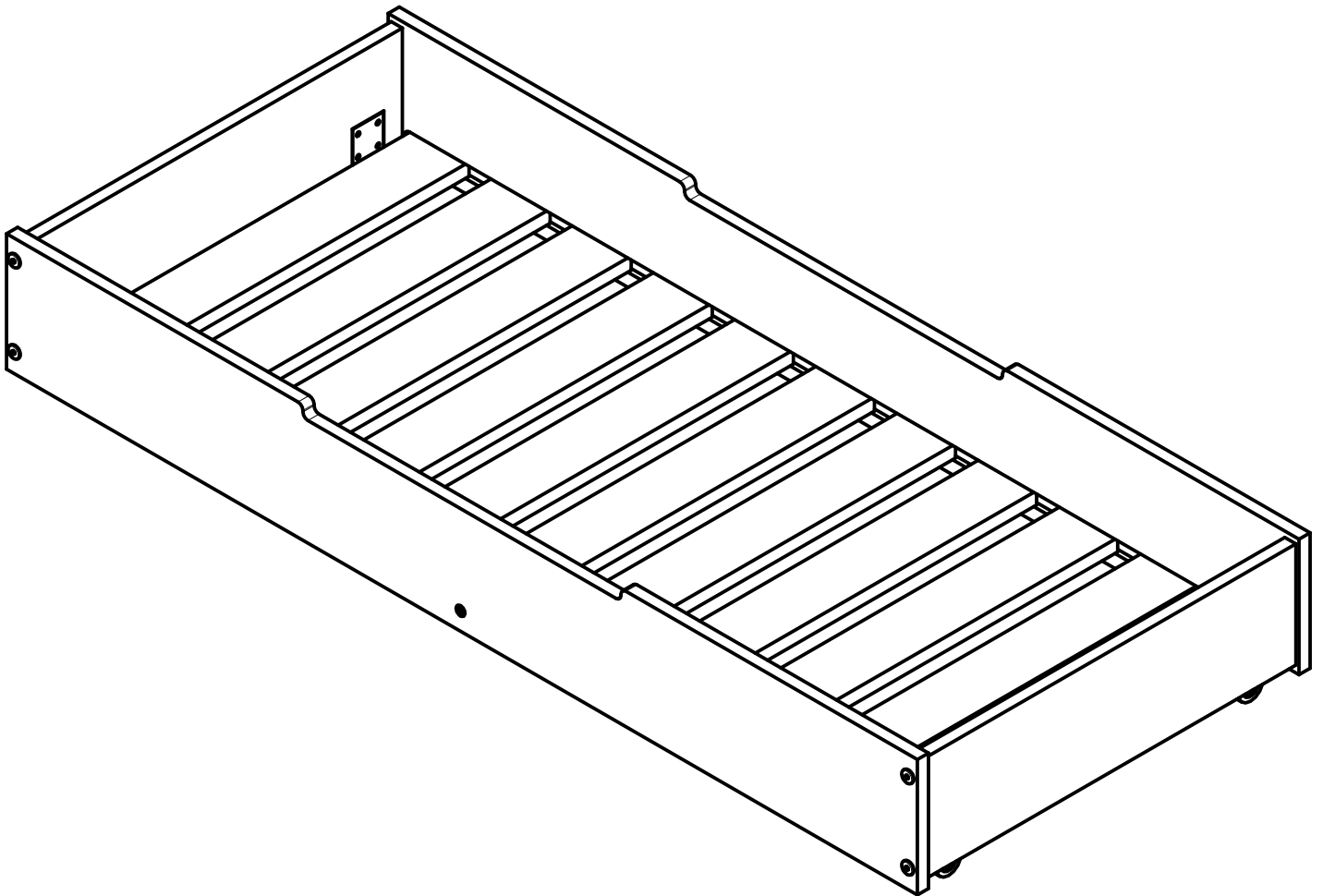


S80

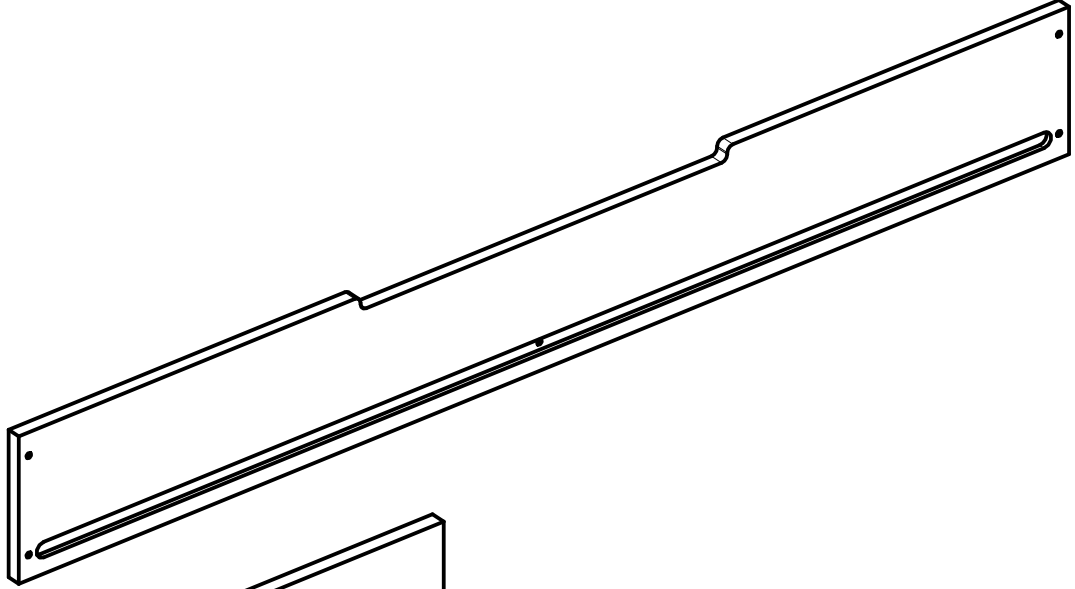




DRAWER



FSZ



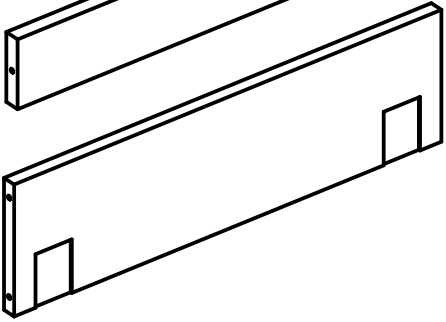
DSZ



DSZ1

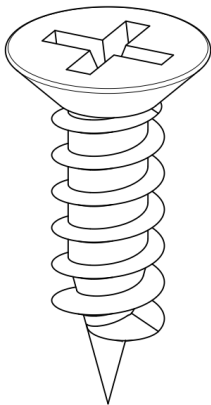


BSZ

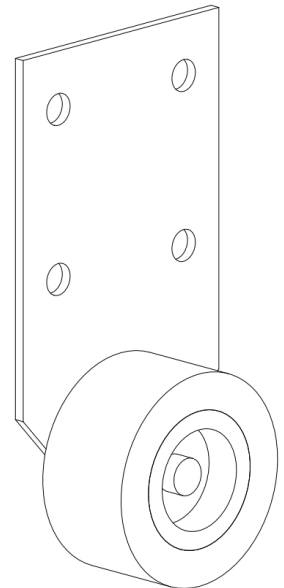
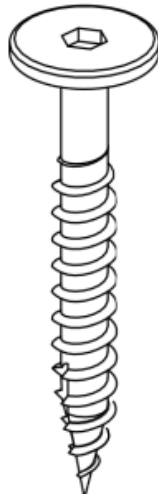


W

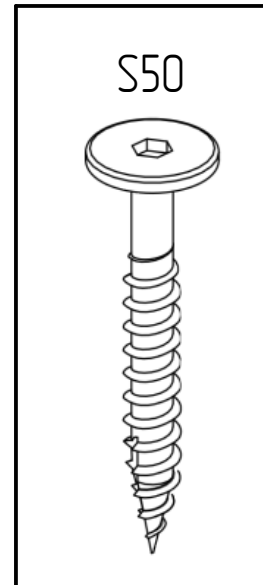
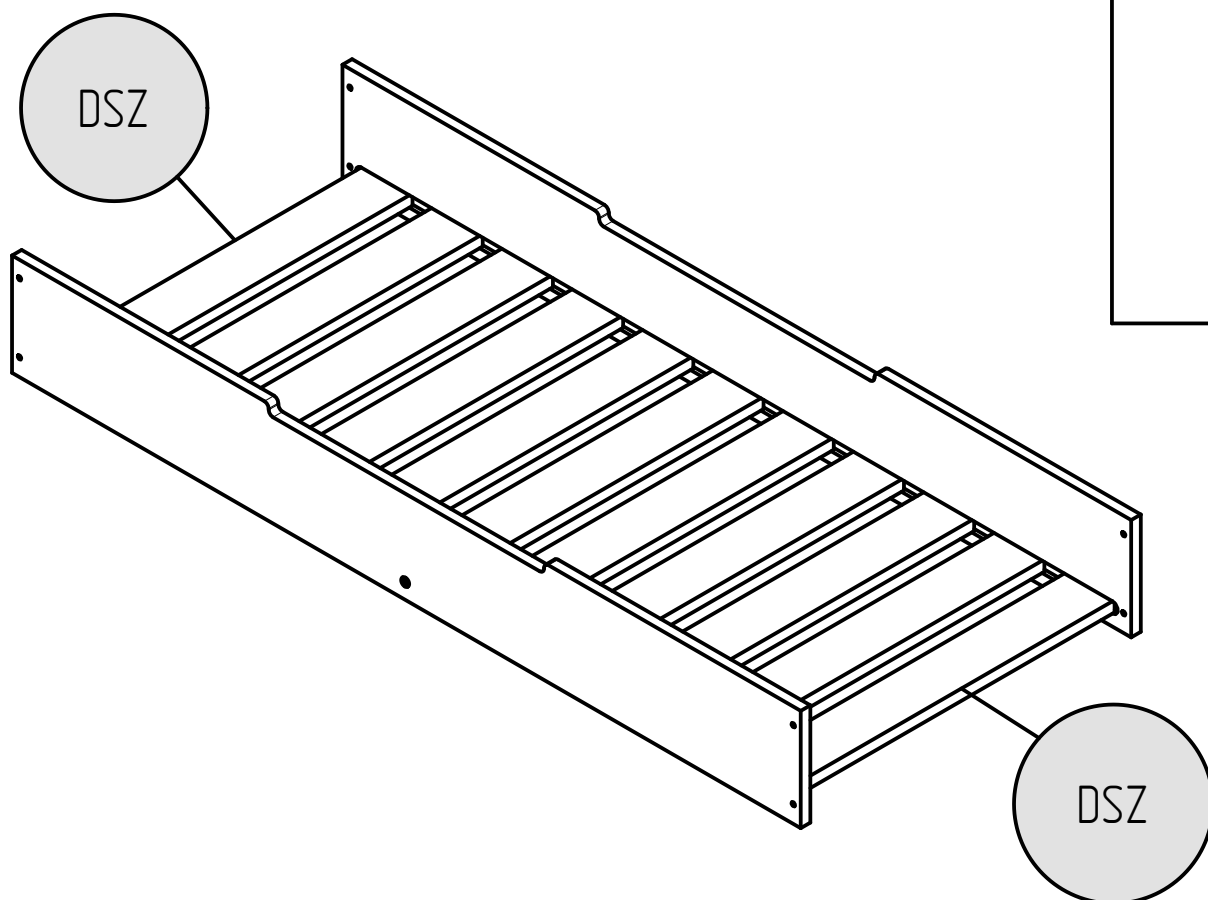
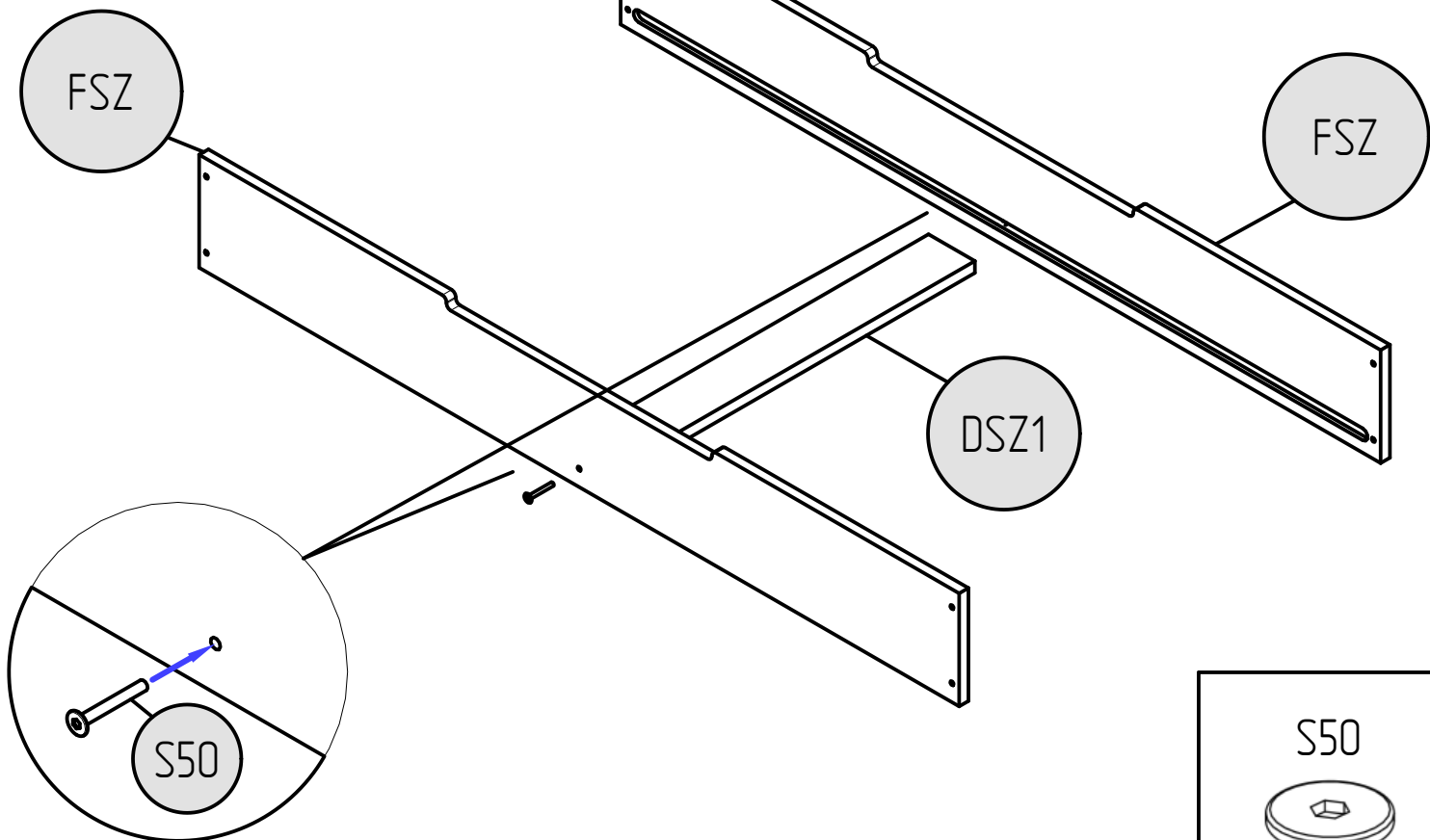
W16

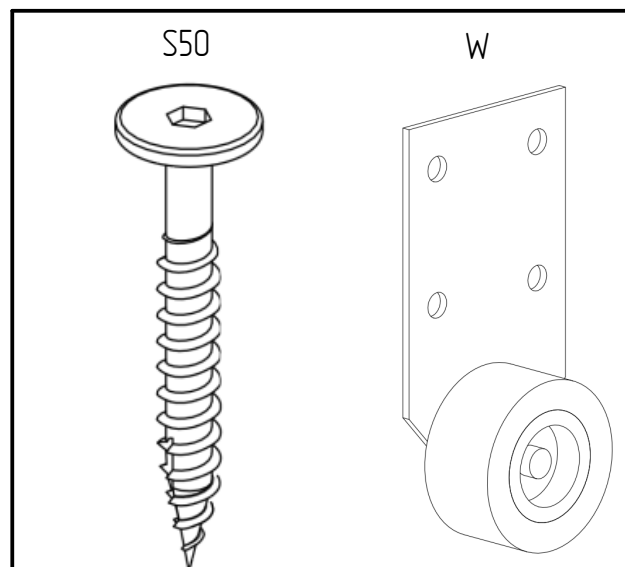
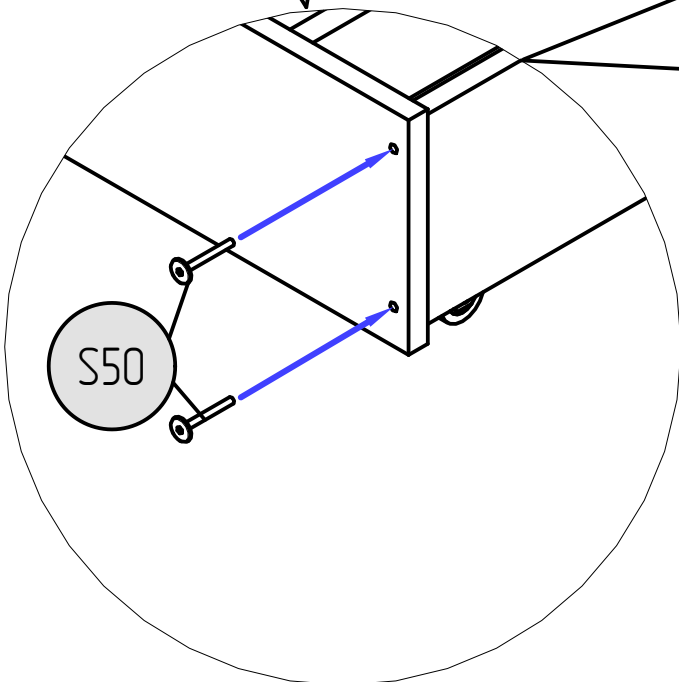
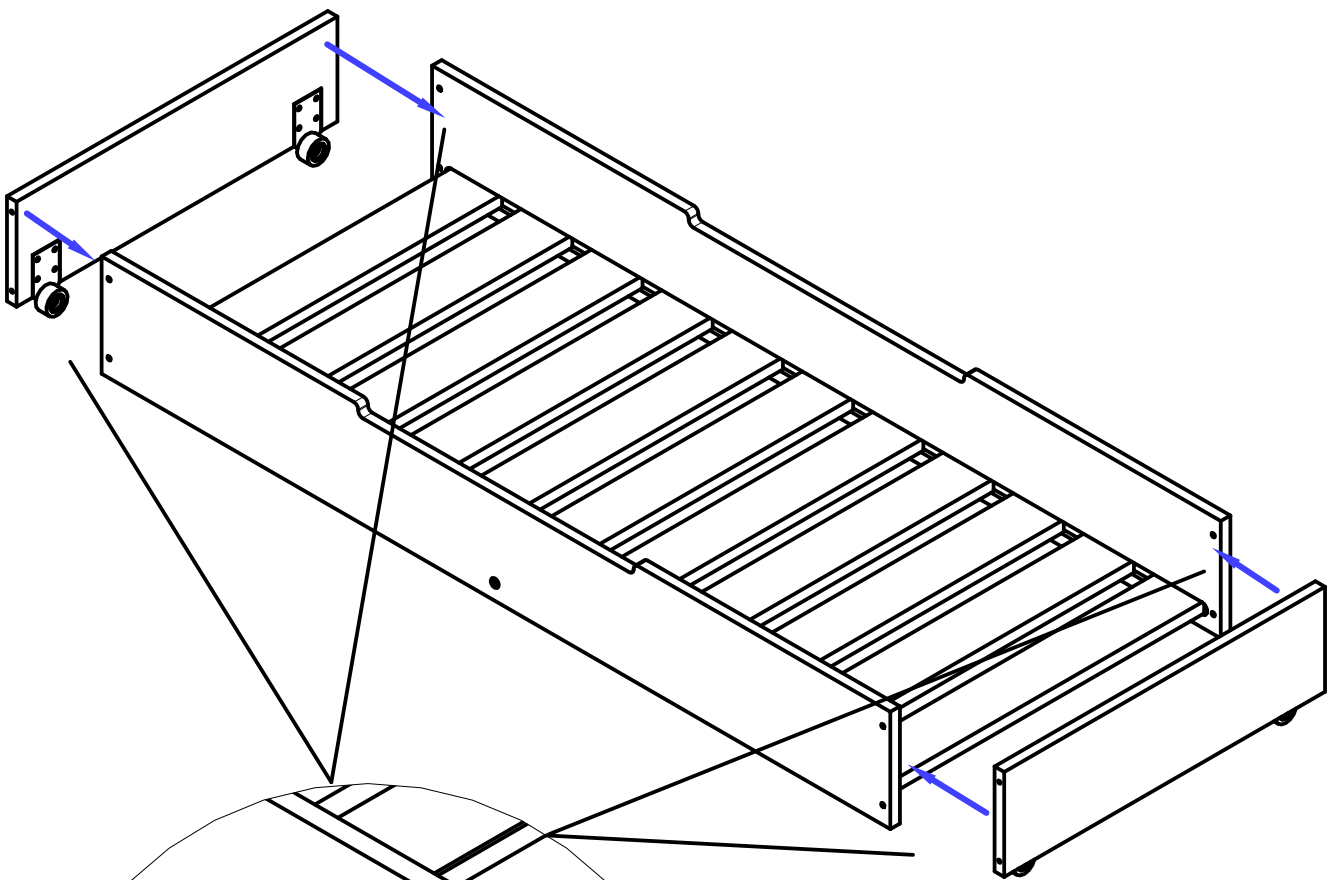
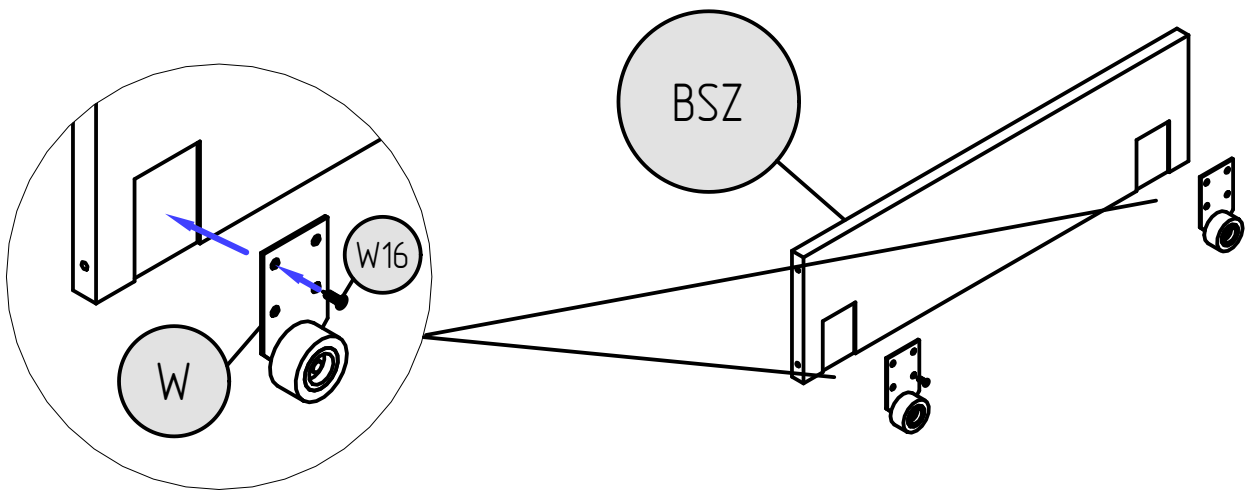


S50



| PART | FSZ | DSZ | DSZ1 | BSZ | W16 | S50 | W |
|----------|-----|-----|------|-----|-----|-----|---|
| QUANTITY | 2 | 10 | 1 | 2 | 16 | 10 | 4 |





Woohoo!

High-fives all around for a job well done.

We hope your little one is over the moon with their new Petit Puk bed. And why not show off all your hard work? Snap a pic and share it with us on Instagram (tag us @petitpuk) or shoot us an email at info@petitpuk.com. We love seeing our creations come to life in your wonderful homes!

Now, before your kid dives in headfirst, here are a few friendly reminders:

- Stick to mattresses between 8-14 cm thick for the perfect fit.
- Beds are for snoozing, not bouncing
- Keep it safe with just one child on the bunk bed.
- Please, no acrobatics - avoid hanging off any parts of the bed.
- Keep things tidy with a gentle wipe-down of wooden and plastic parts using a dry cloth and mild cleaner.

Warranty

We've got your back with a 2-year warranty on bed parts under normal use. If you ever need a hand or have any questions, don't hesitate to reach out to Team Petit Puk. Just send us a message with your name and order number, along with images of the situation.