






Assembly Manual for LULU

Congratulations on your new Petit Puk bed! Get ready to transform your kid's sleeping space into a fortress of imagination, a castle of coziness, and a launchpad for their sweetest dreams! When you follow this step-by-step assembly, you'll breeze through the process.

Quick Checklist:

-  Is everything complete?
-  All pieces in good shape?
-  Do not start adding glue before you made sure all pieces are there and in perfect shape
-  Note! Applying glue to the bed base is **not** mandatory, as it could hinder the disassembly process later on. Let's keep things flexible for future adventures!
-  Ready to take a photo of your great work once completed and share with us?

Ticked all the boxes? Put on your superhero cape, and let's dive into the wonderful world of bed building.

Big wave,
Team Petit Puk

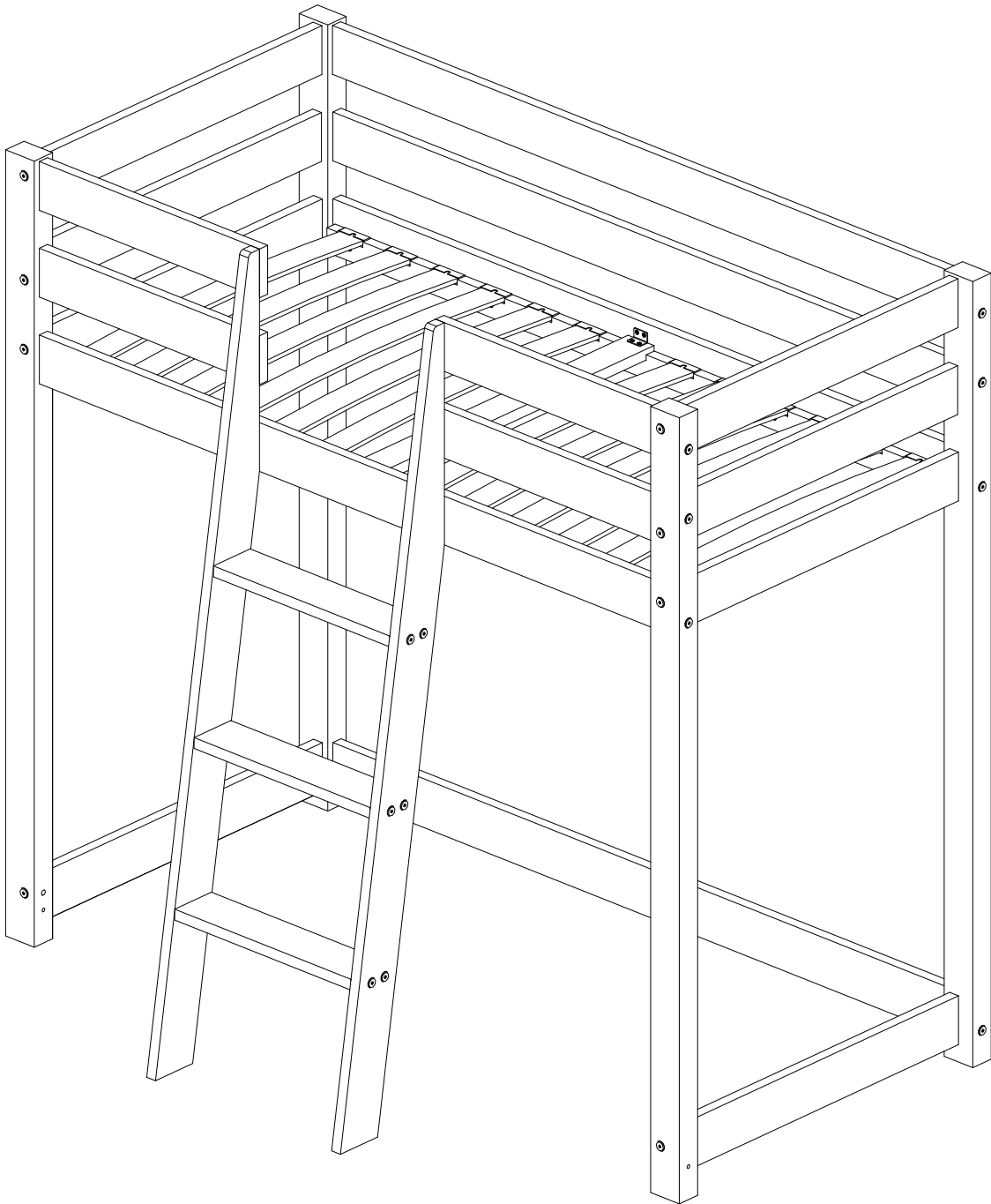
Questions? Reach out via customercare@petitpuk.com

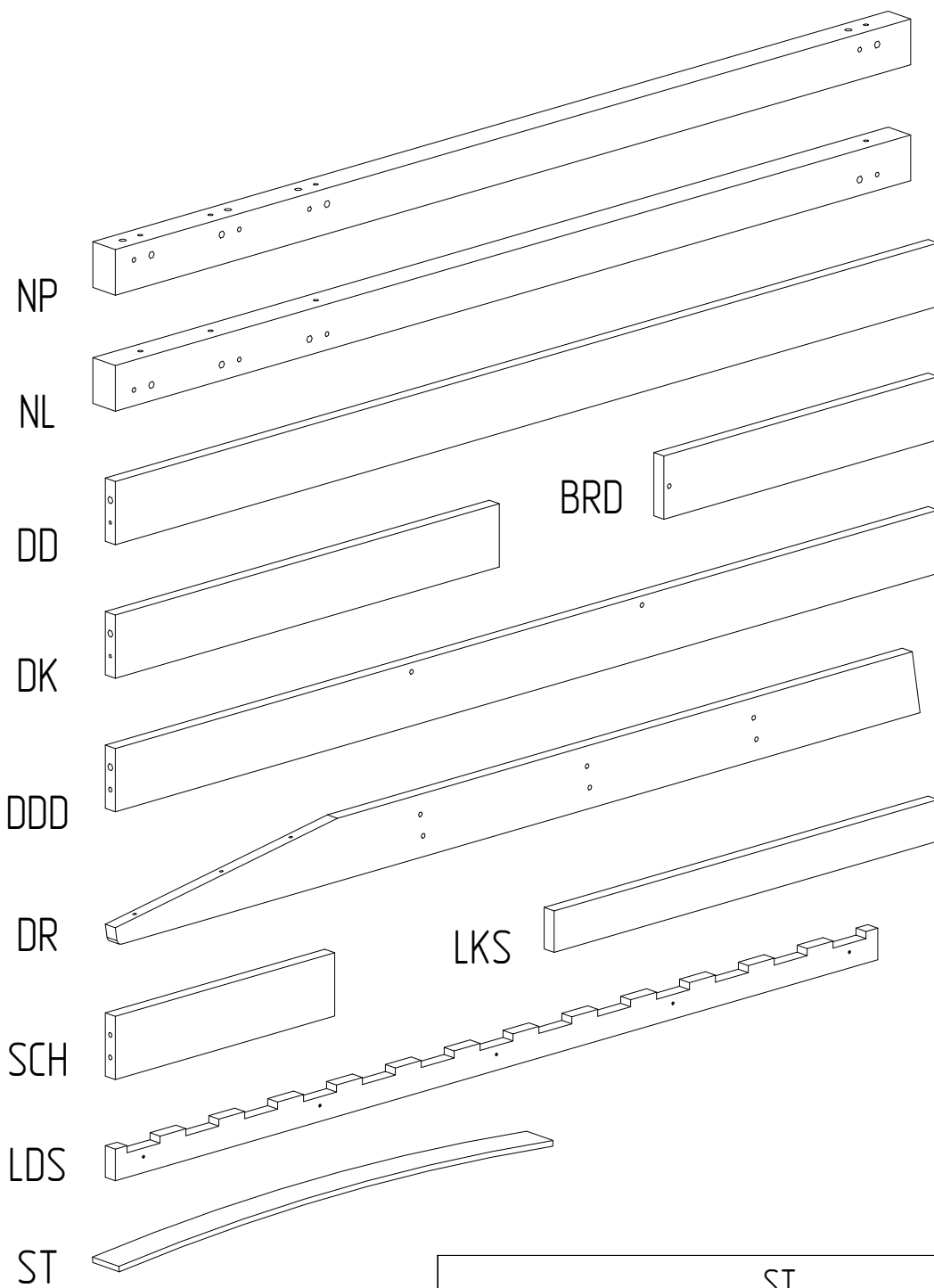
Compliments? Tag us on instagram @petitpuk

Table of contents

-LULU/staircase long side	p.2 -12
-LULU/staircase short side	p.13 -24

LULU / staircase long side

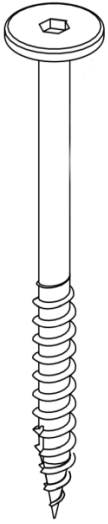




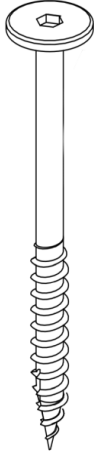
ST	
LENGTH [cm]	QUANTITY
140	12
160	14
180	14
190	16
200	16

PART	NP	NL	DD	DK	BRD	DDD	DR	SCH	LKS	LDS
QUANTITY	2	2	4	8	4	1	2	3	1	2

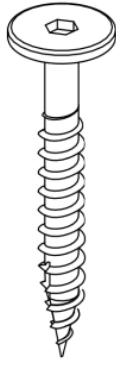
S110



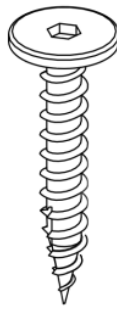
S80



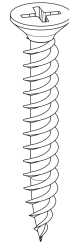
S50



S40



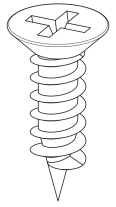
W30



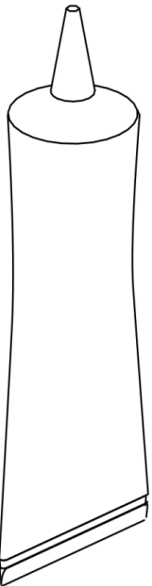
K10



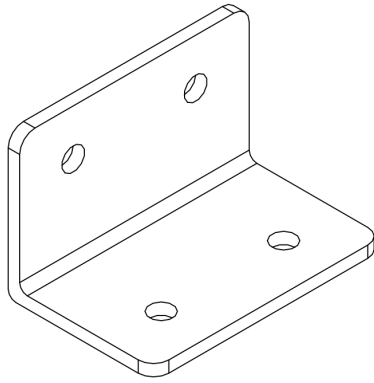
W16



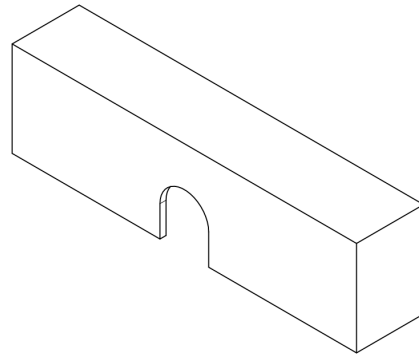
G



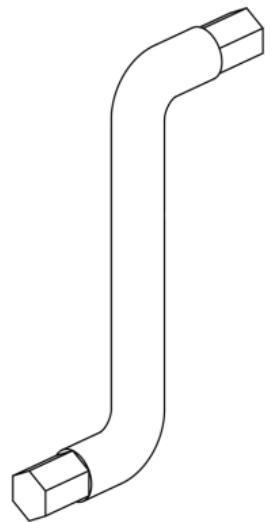
KT



P

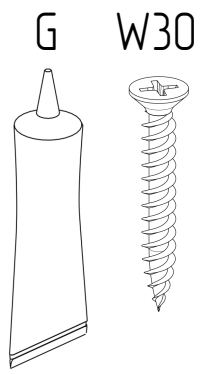


INBUS

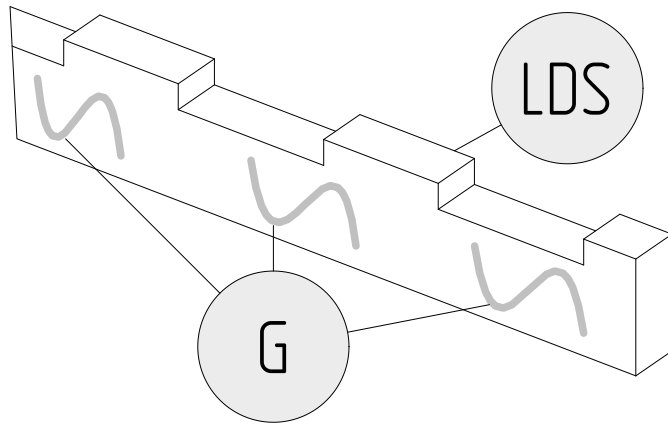


P	
LENGTH [cm]	QUANTITY
140	24
160	28
180	28
190	32
200	32

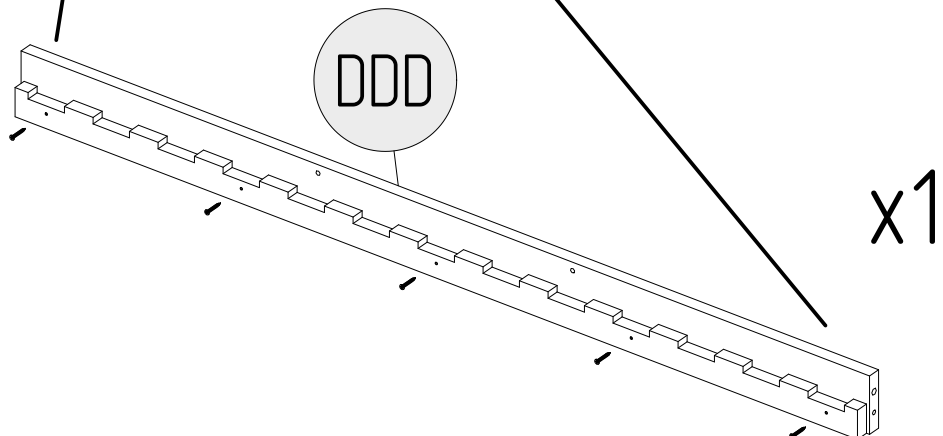
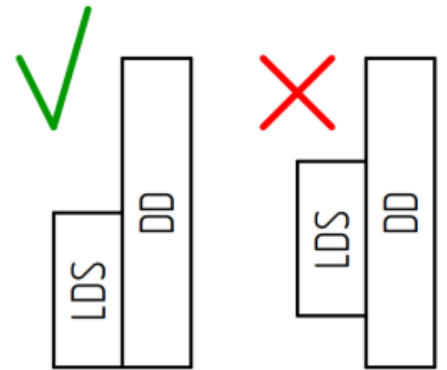
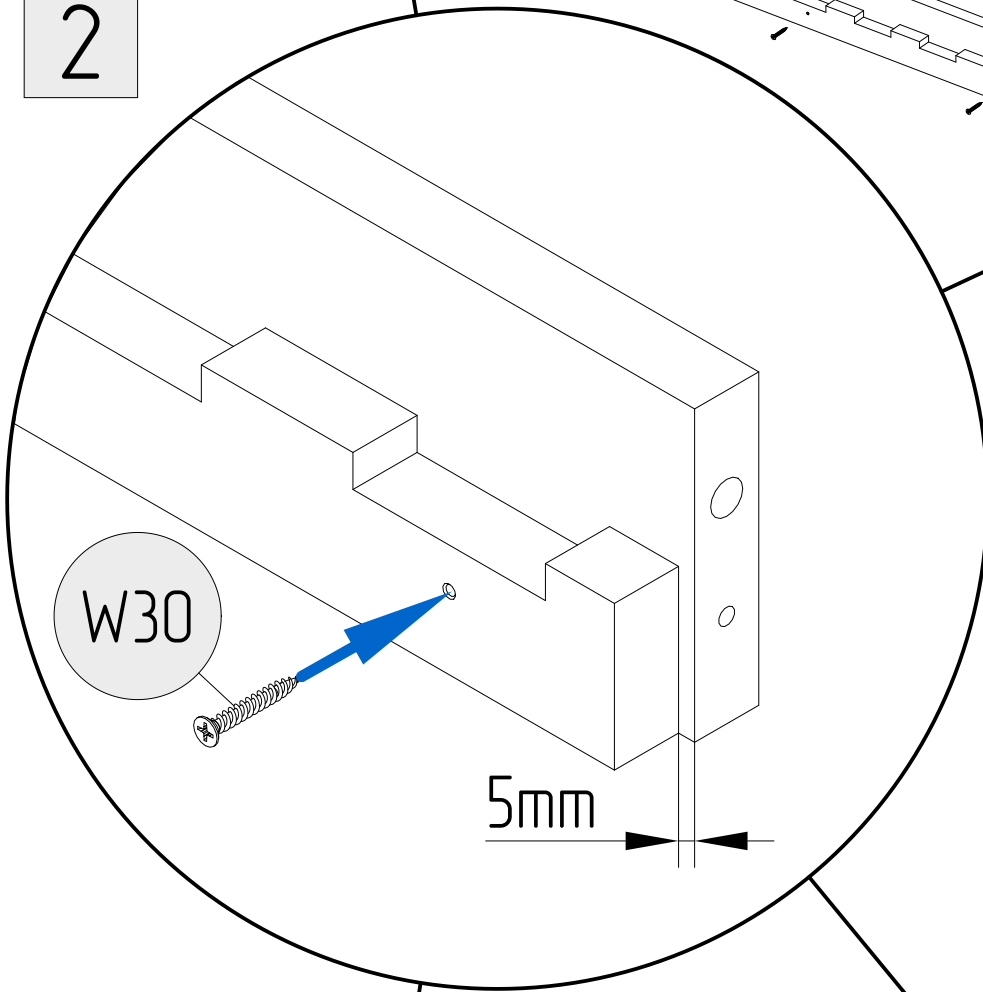
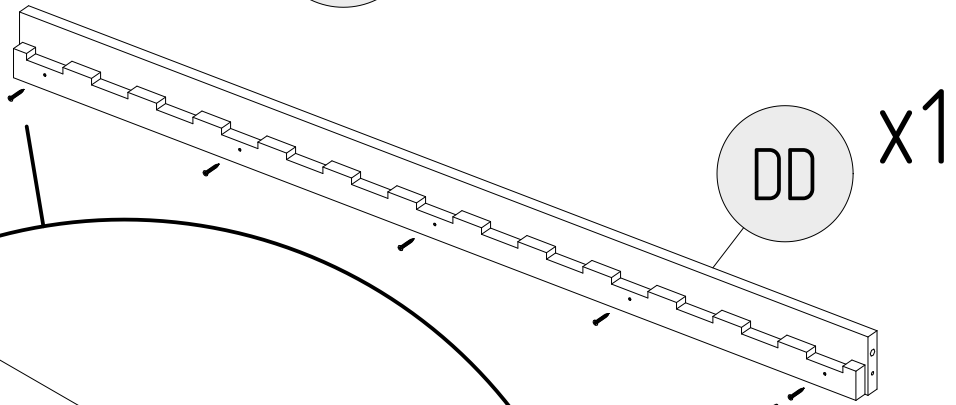
PART	S110	S80	S50	S40	W30	K10	W16	G	KT	INBUS
QUANTITY	14	16	16	2	12	30	8	4	2	2



1

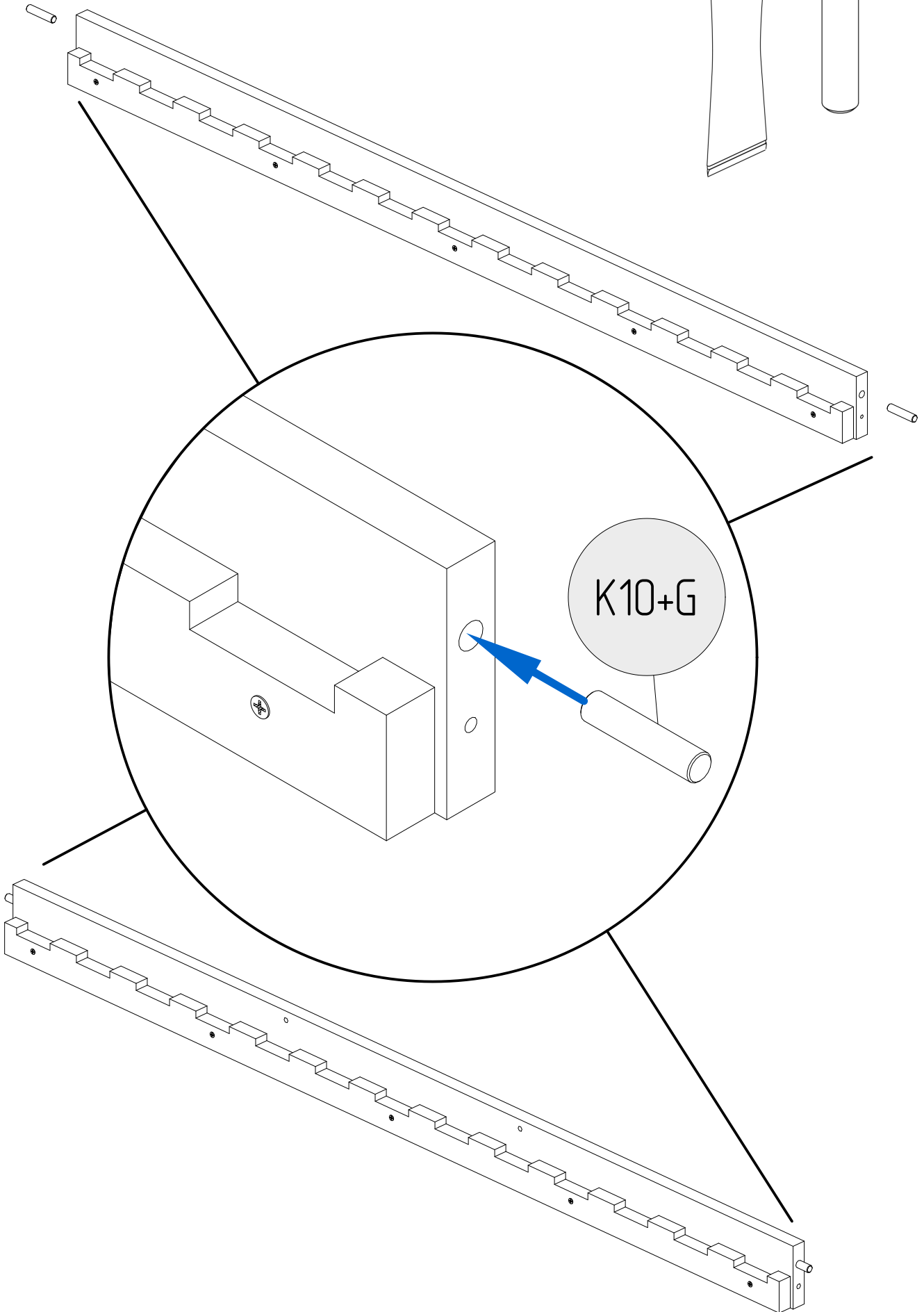


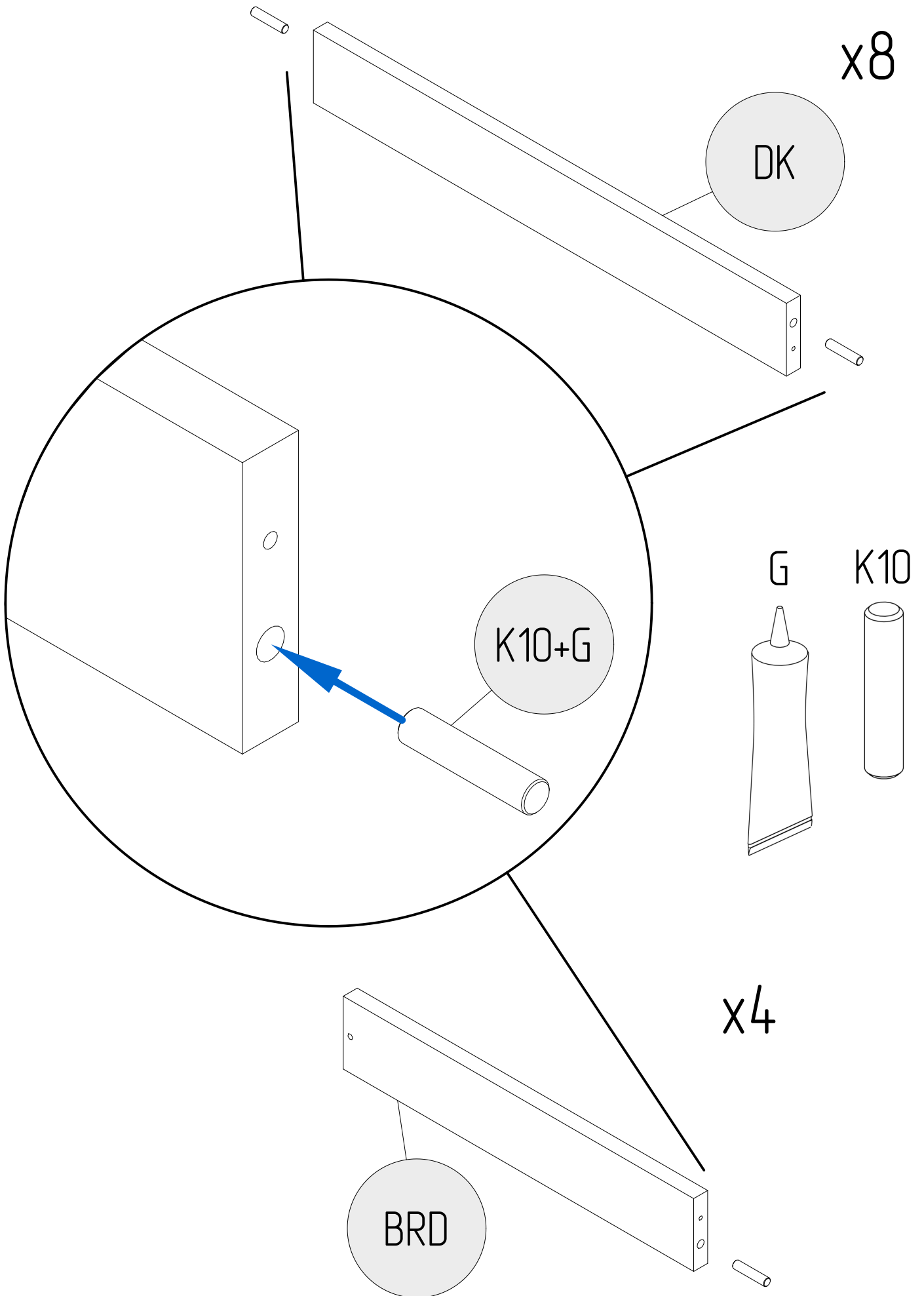
2

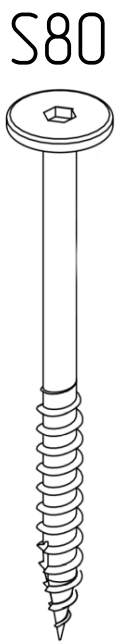
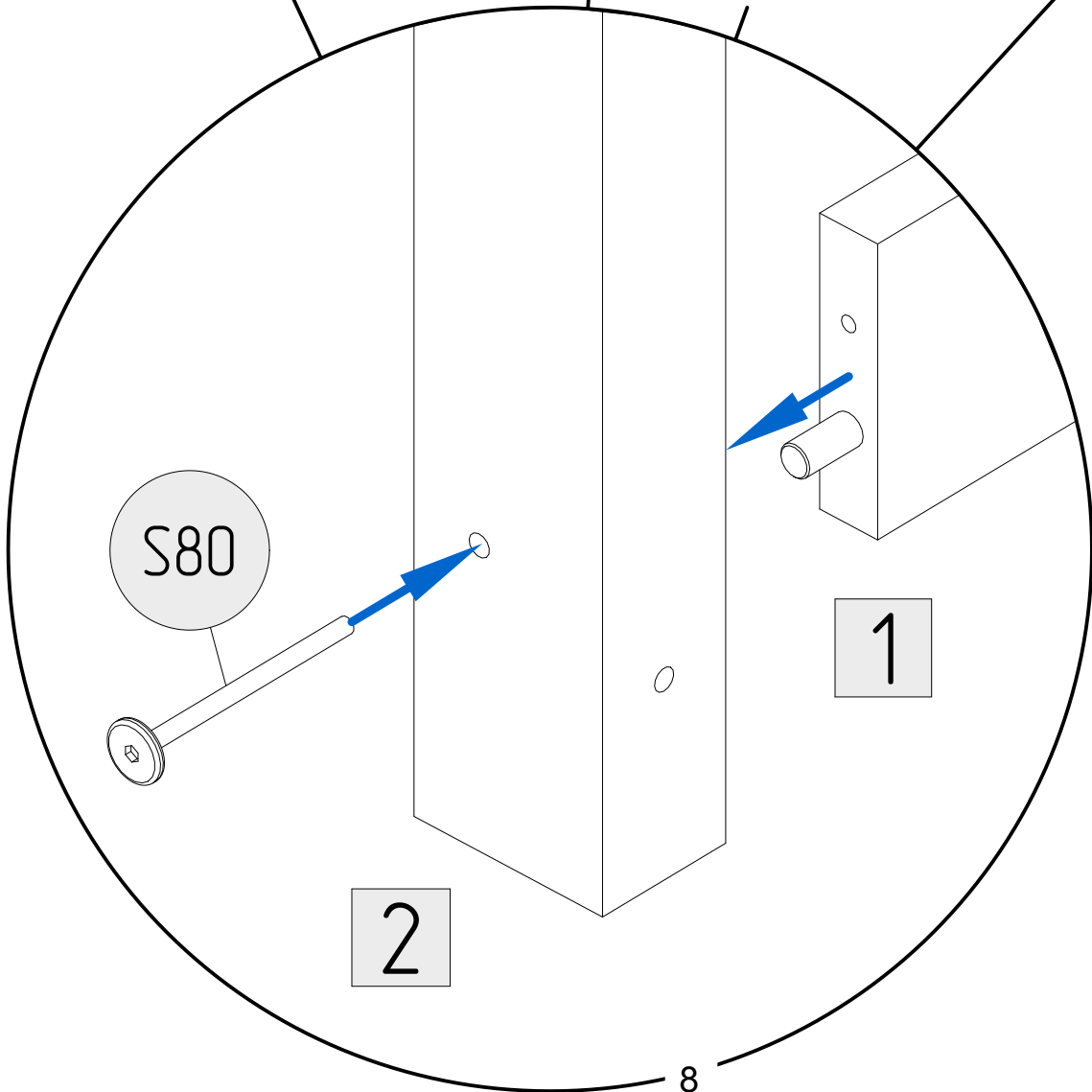
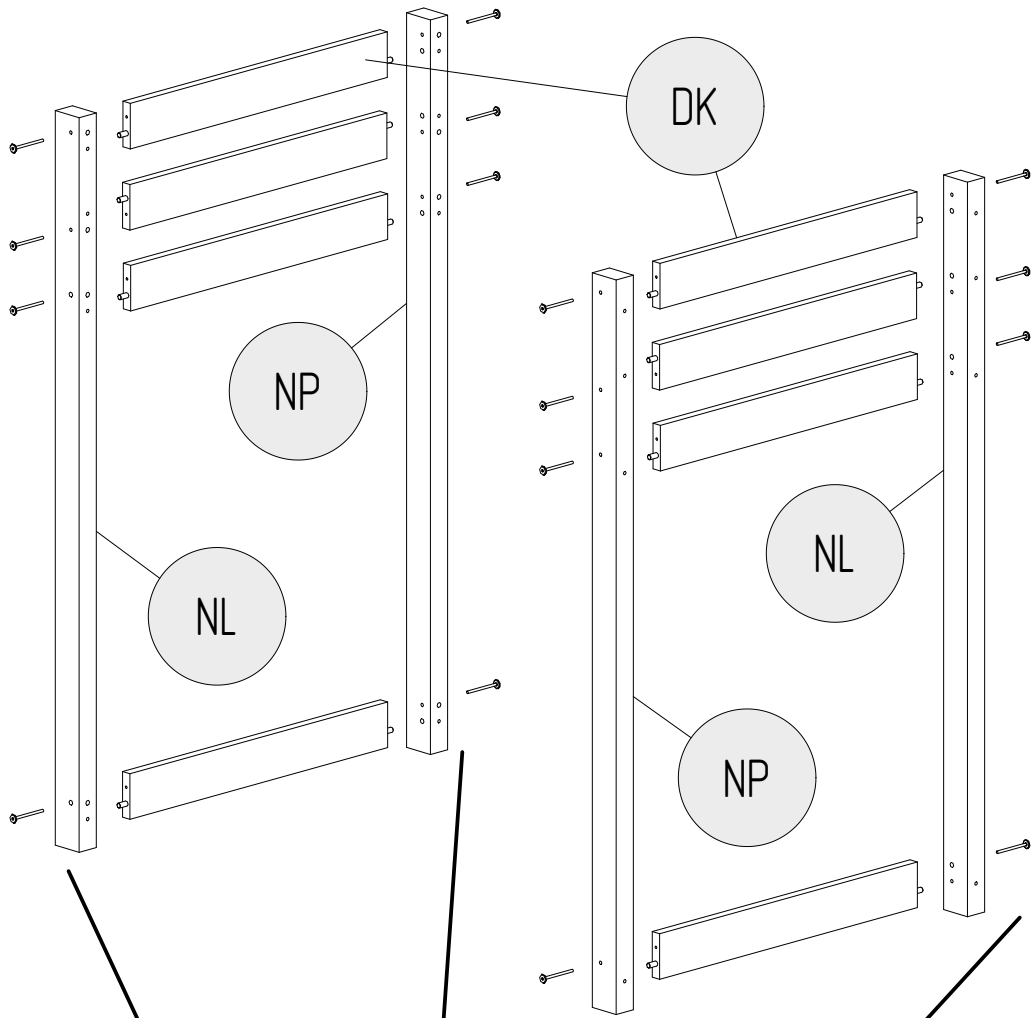


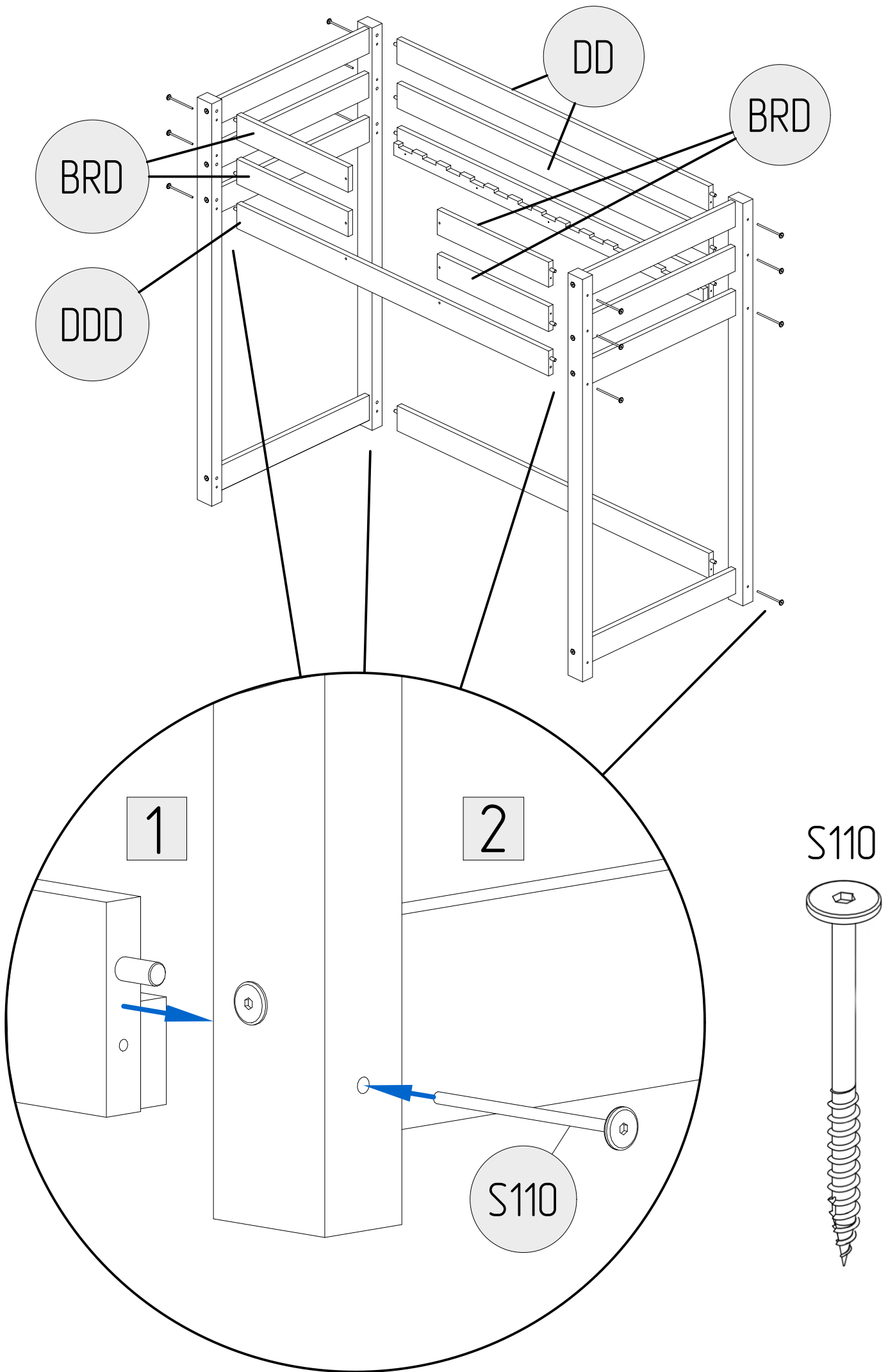
G

K10



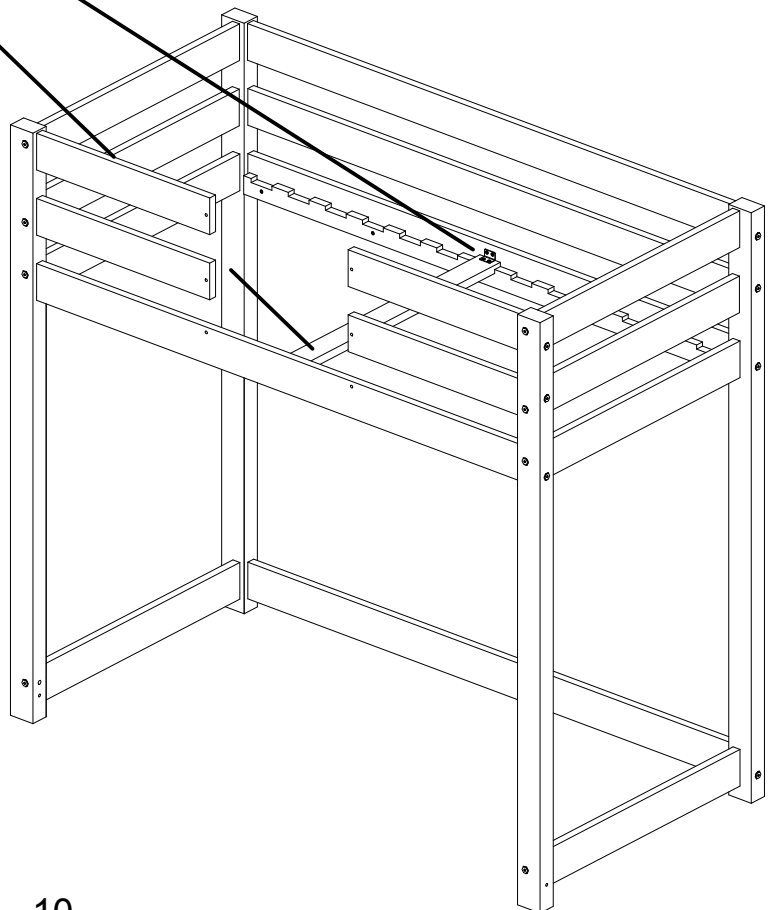
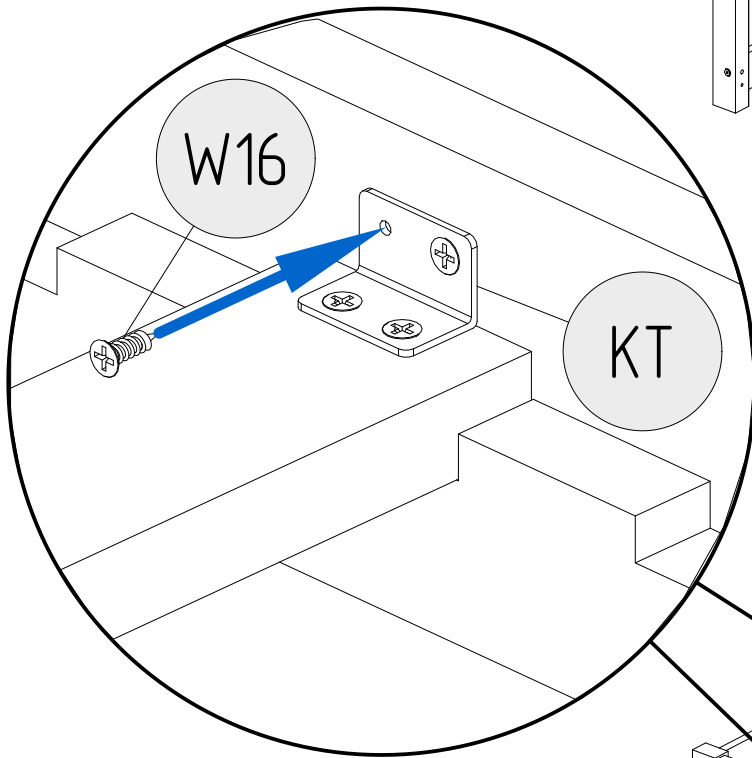
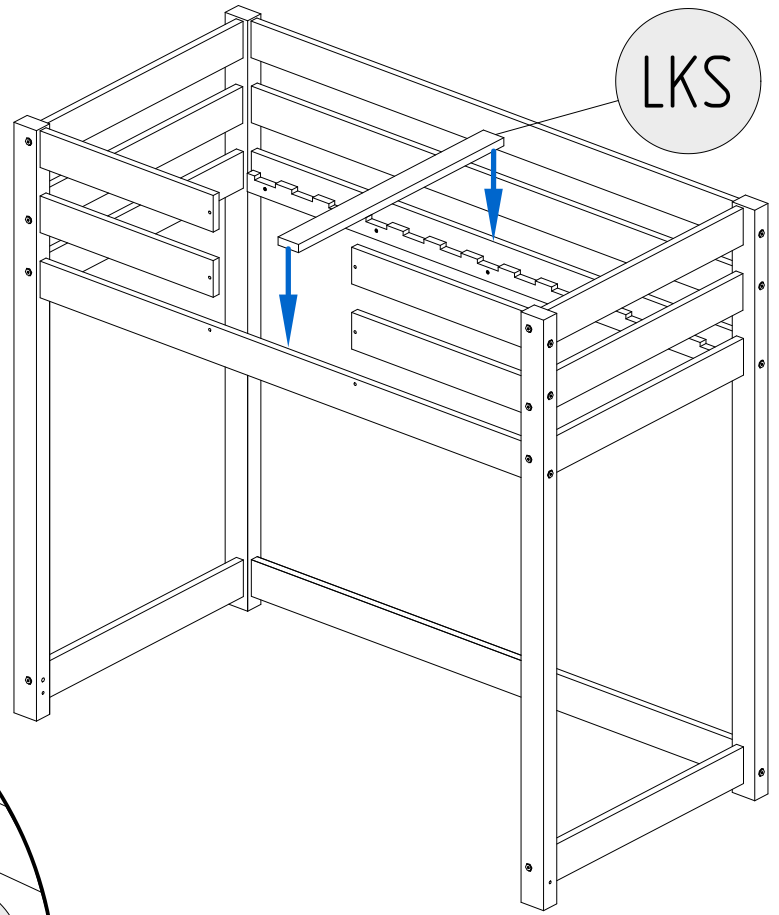
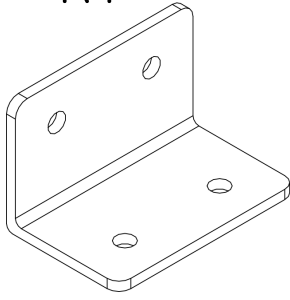
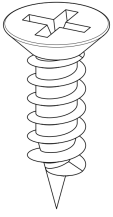




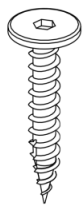


W16

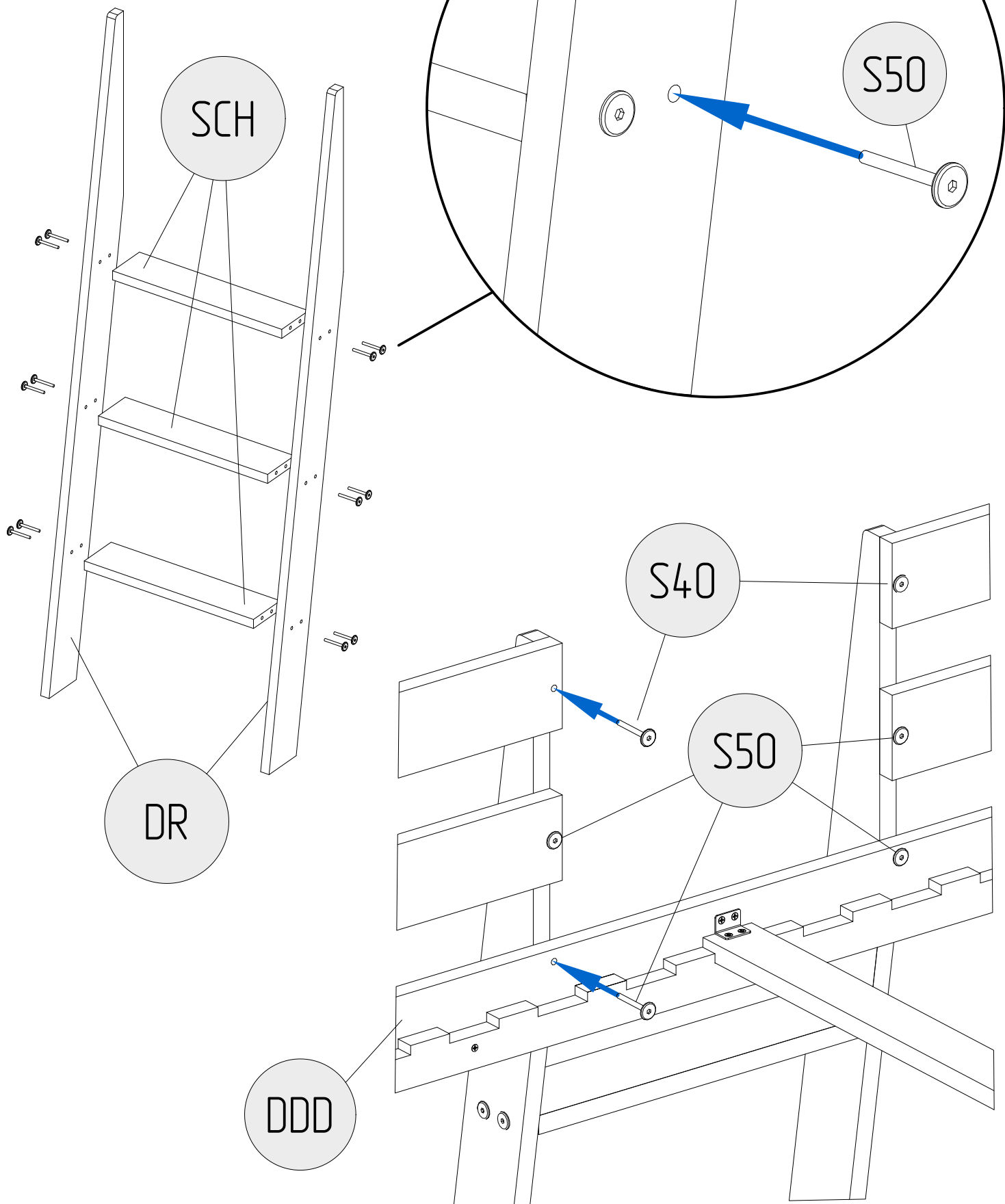
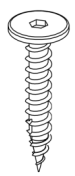
KT

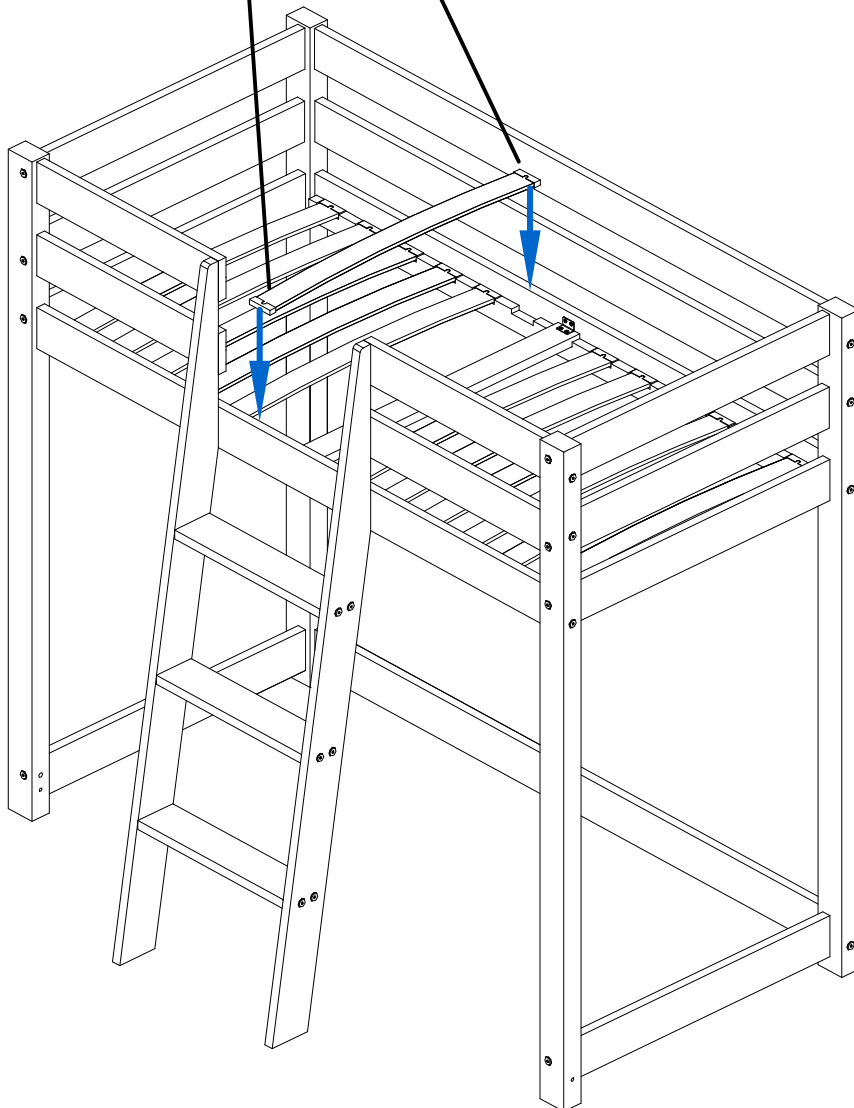
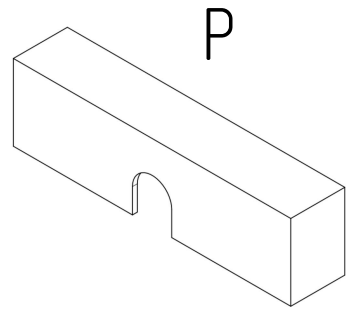
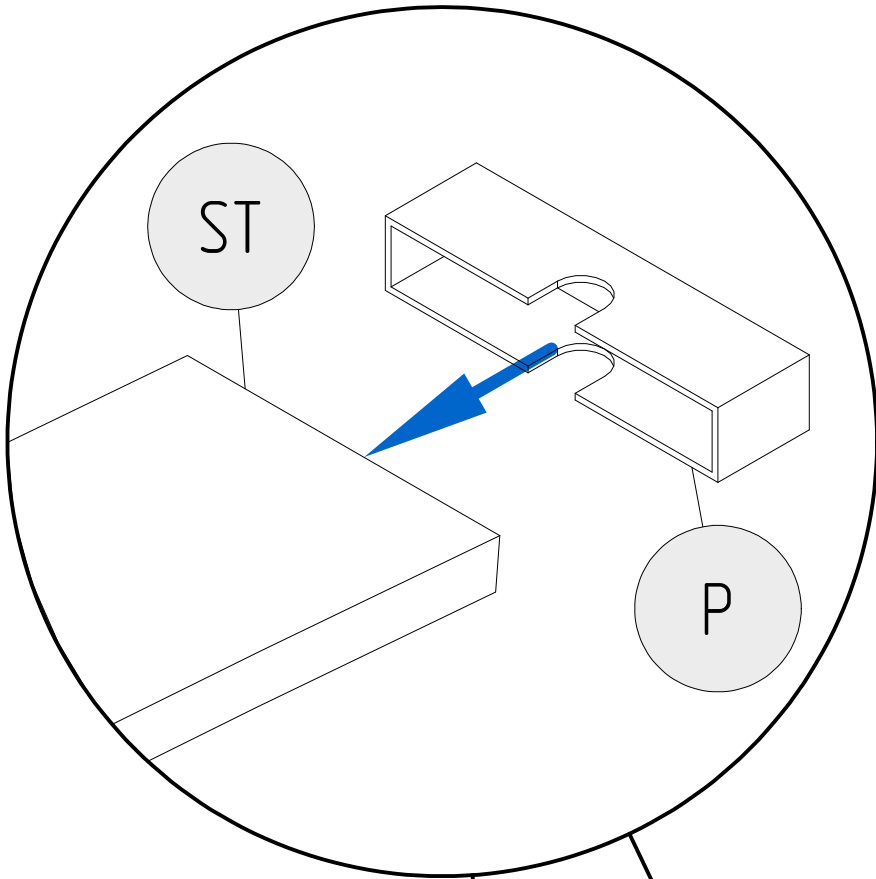


S50

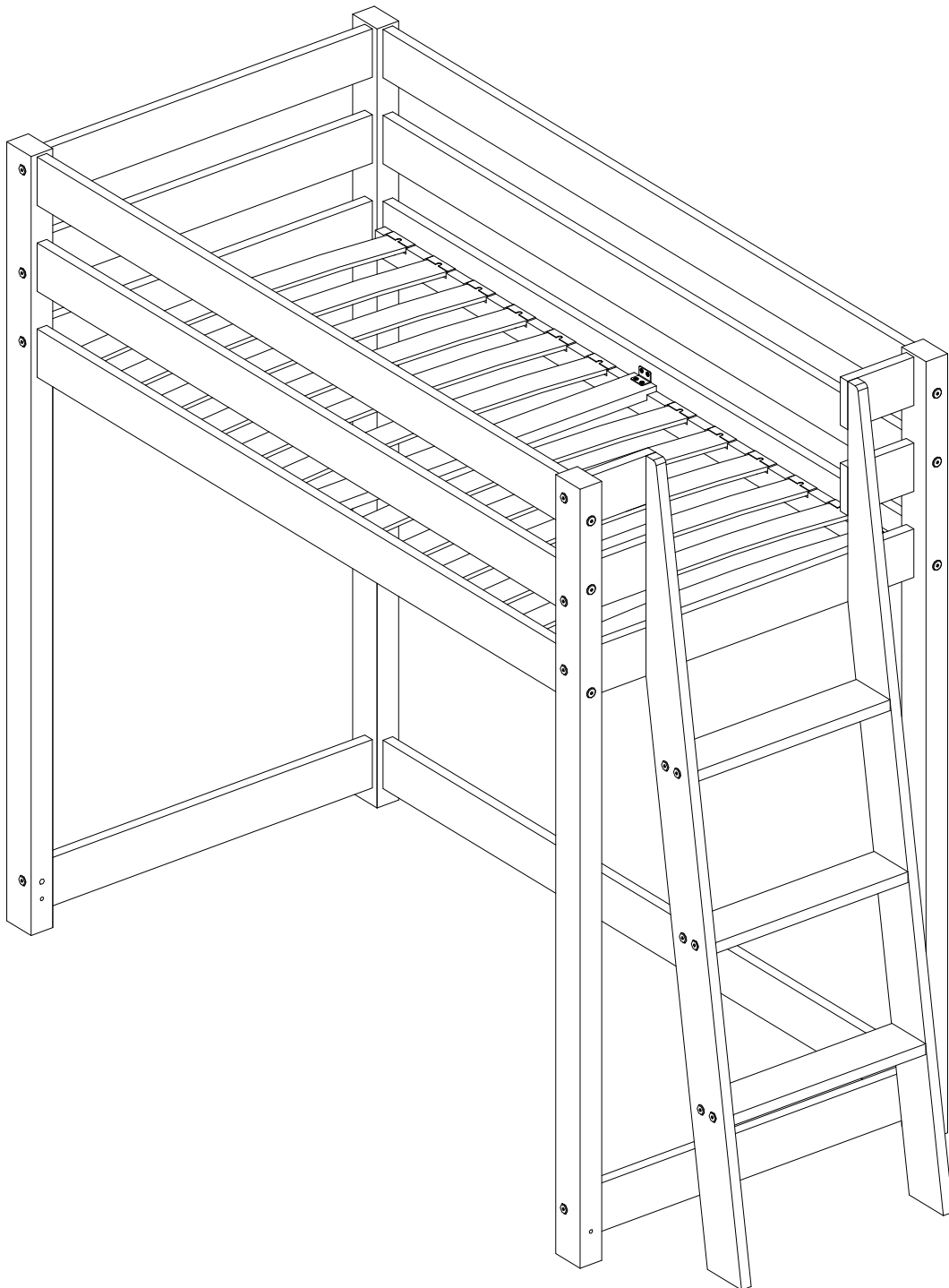


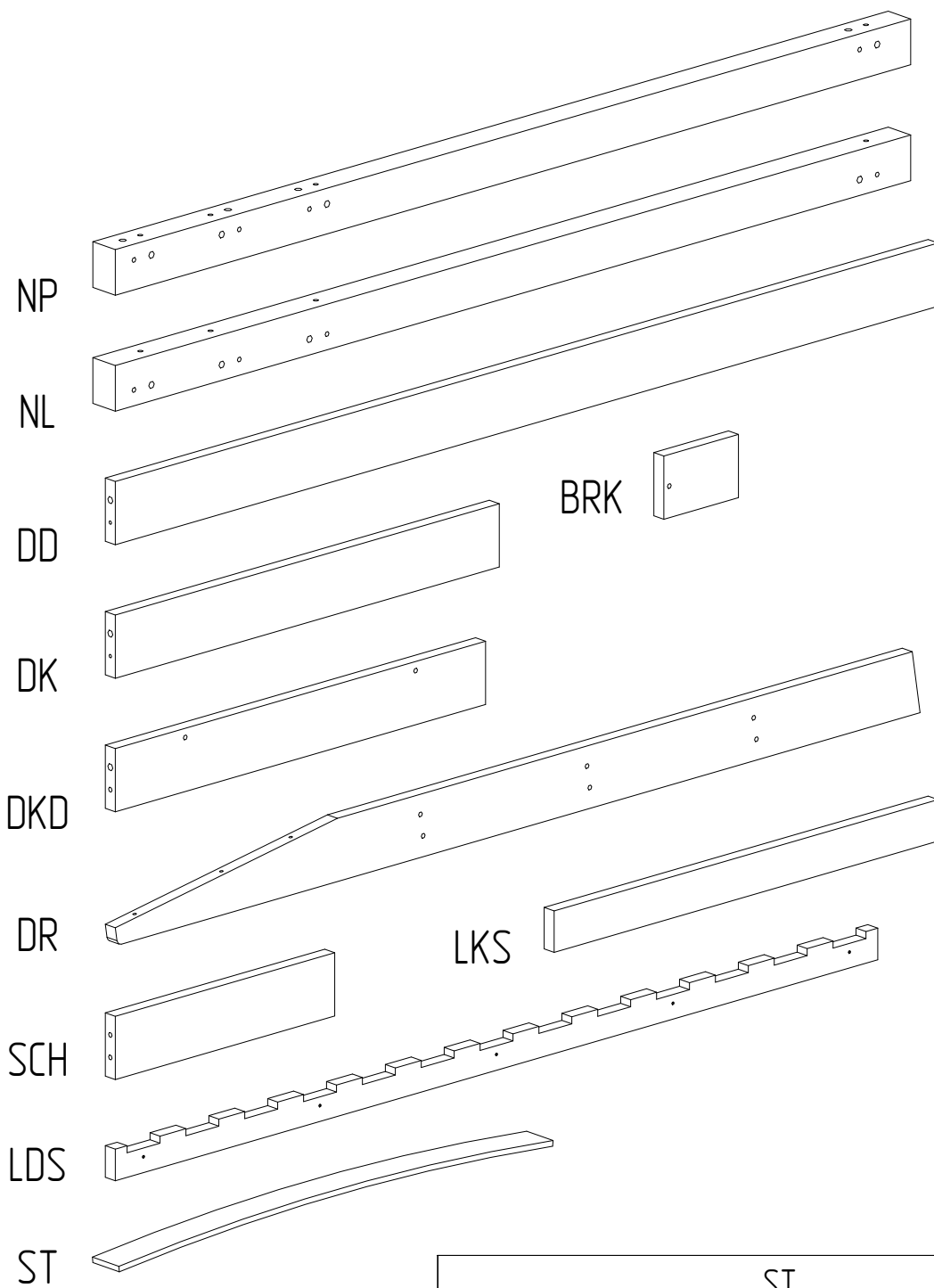
S40





LULU / staircase short side

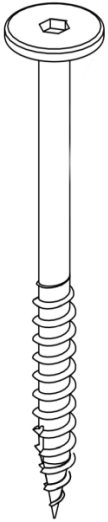




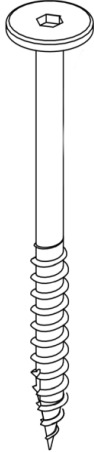
ST	
LENGTH [cm]	QUANTITY
140	12
160	14
180	14
190	16
200	16

PART	NP	NL	DD	DK	BRD	DDD	DR	SCH	LKS	LDS
QUANTITY	2	2	5	8	4	1	2	3	1	2

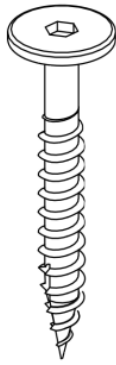
S110



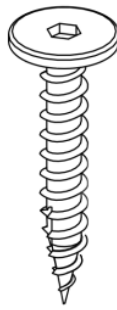
S80



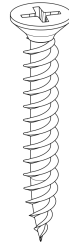
S50



S40



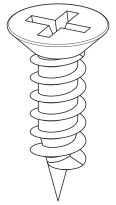
W30



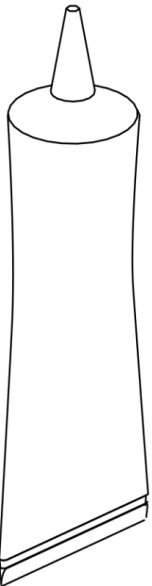
K10



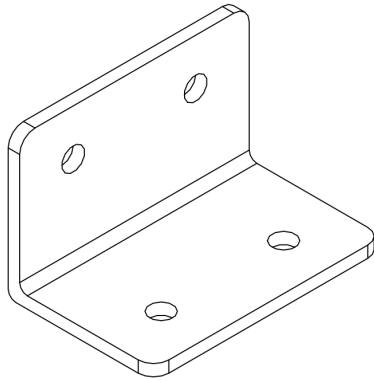
W16



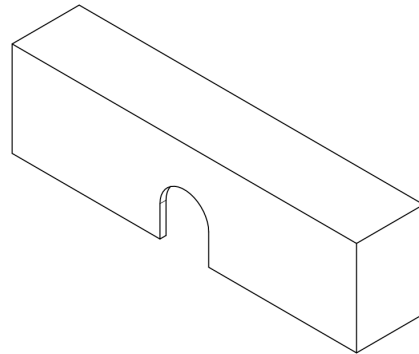
G



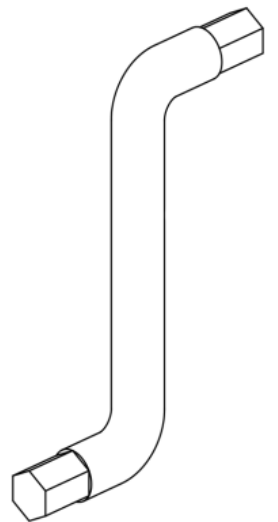
KT



P



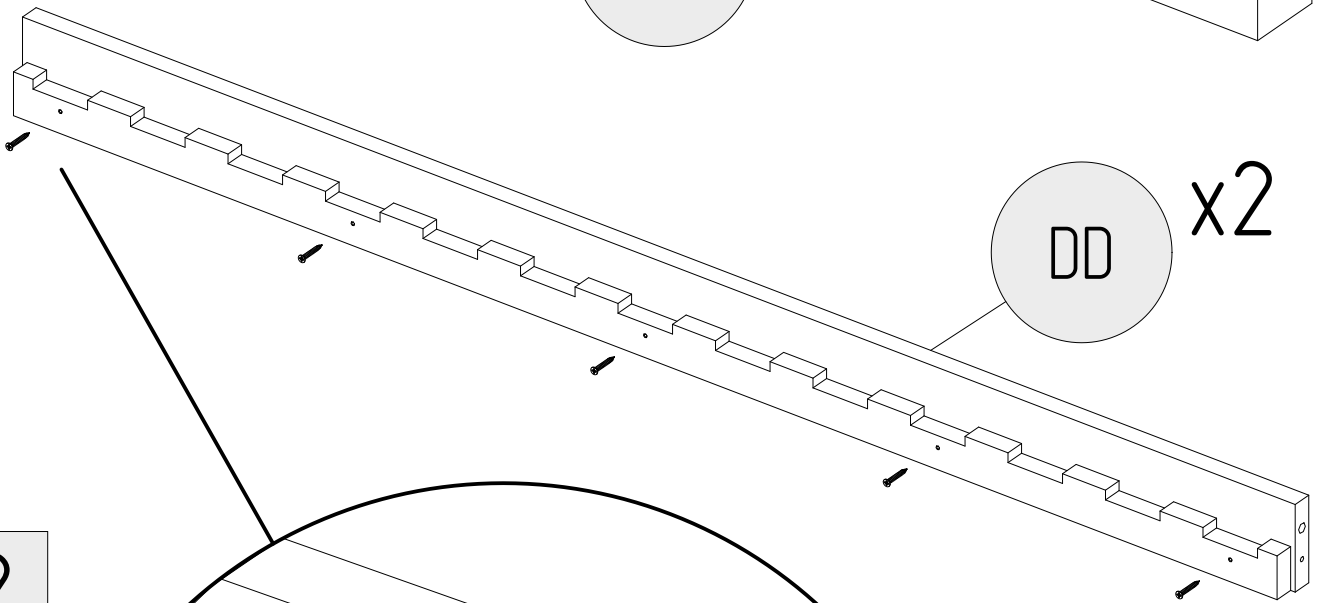
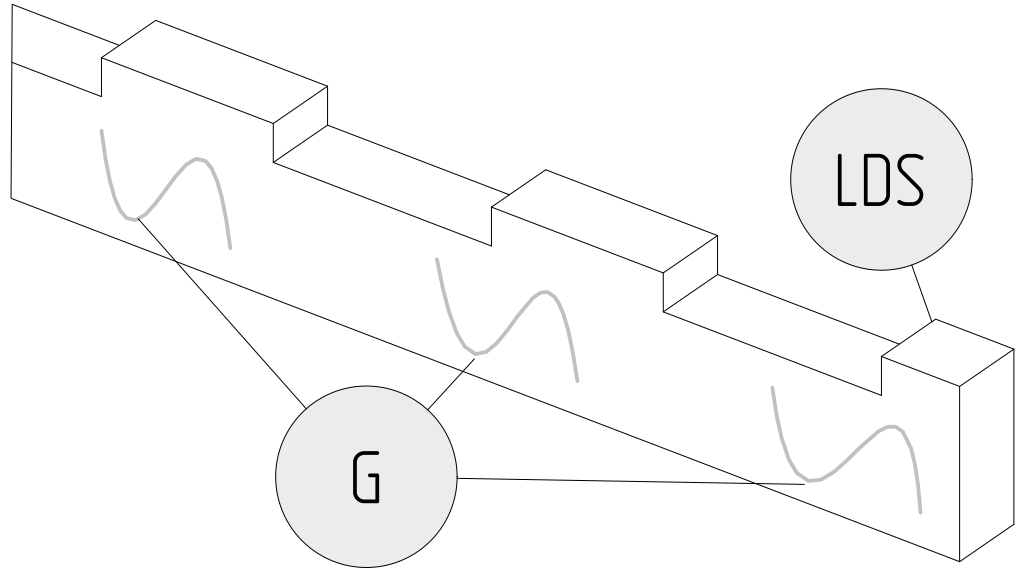
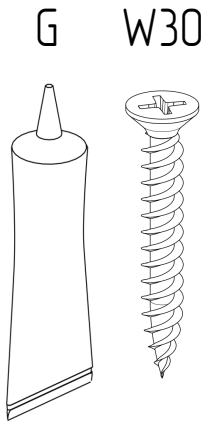
INBUS



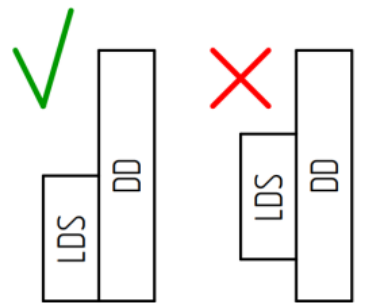
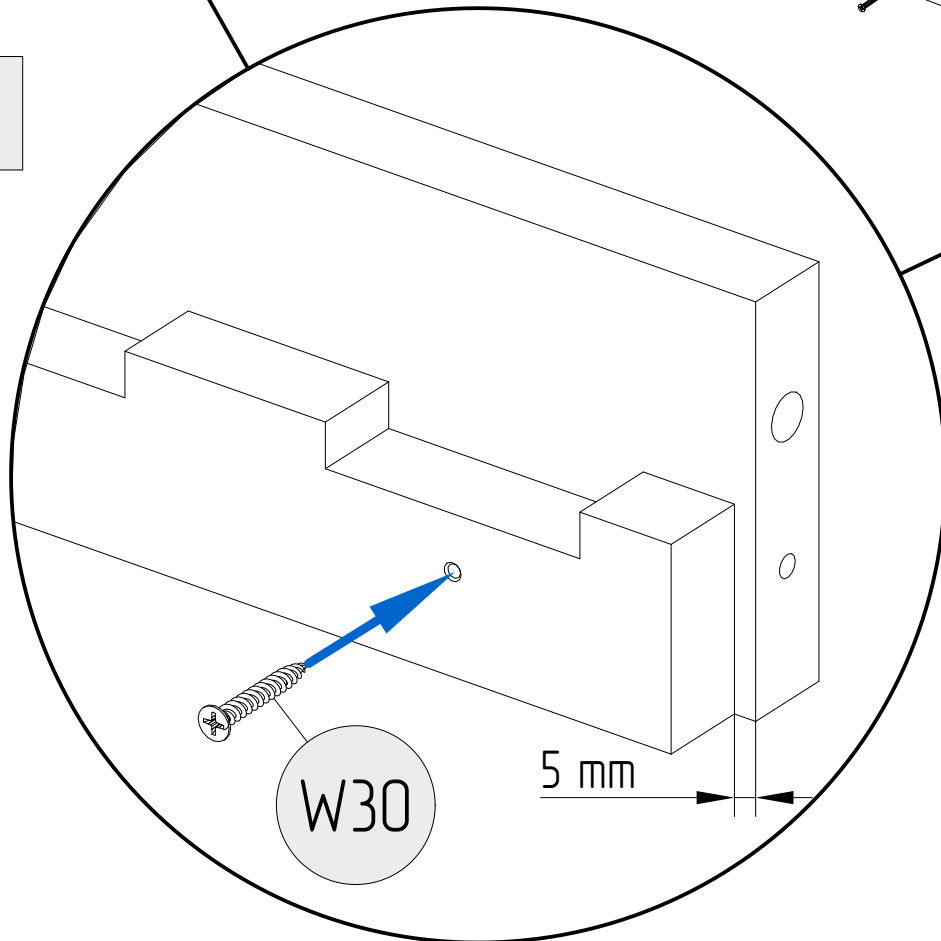
P	
LENGTH [cm]	QUANTITY
140	24
160	28
180	28
190	32
200	32

PART	S110	S80	S50	S40	W30	K10	W16	G	KT	INBUS
QUANTITY	14	16	16	2	12	30	8	4	2	2

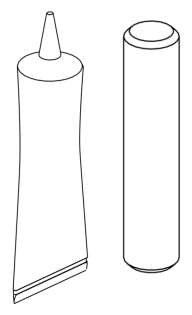
1



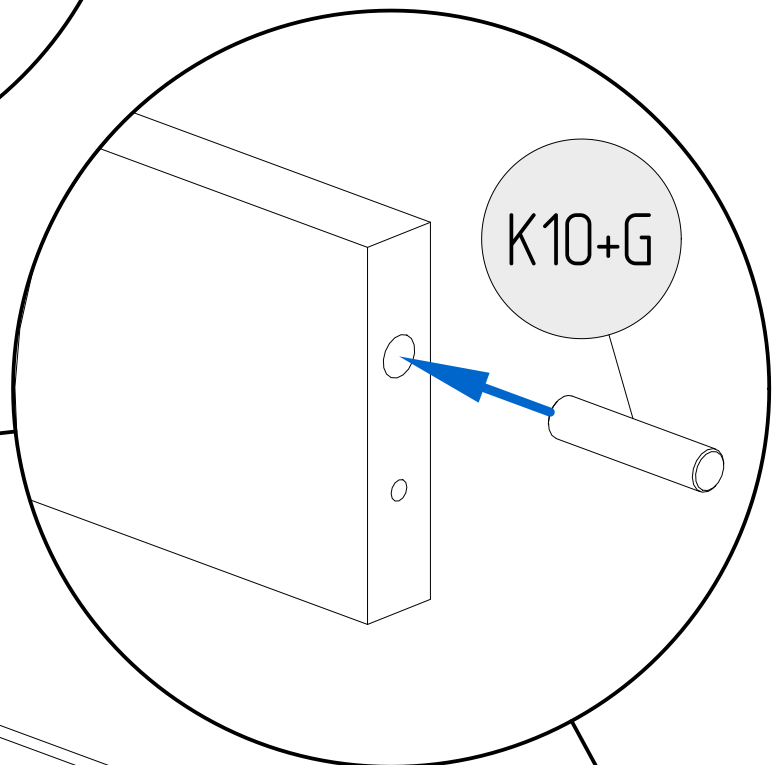
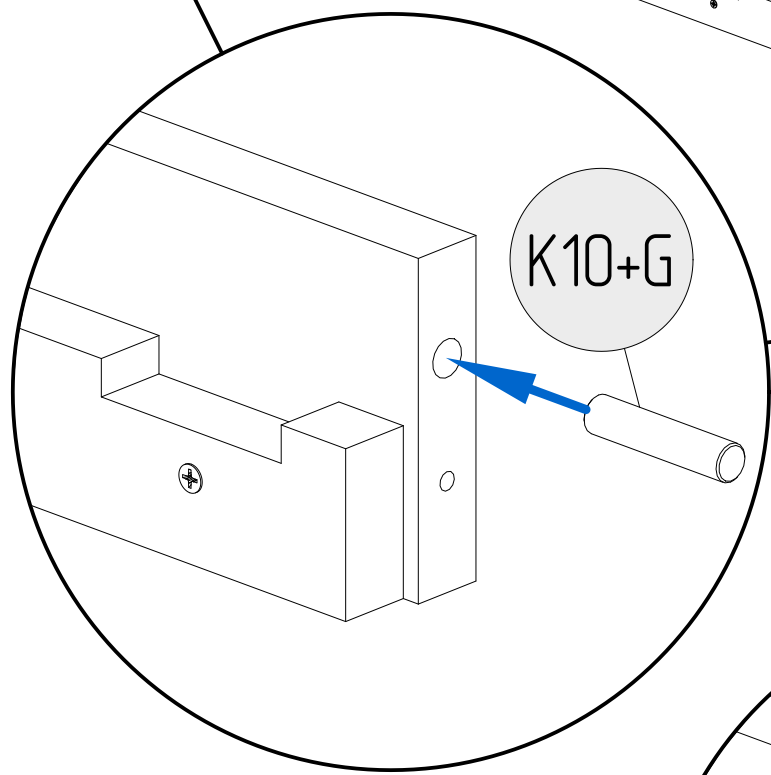
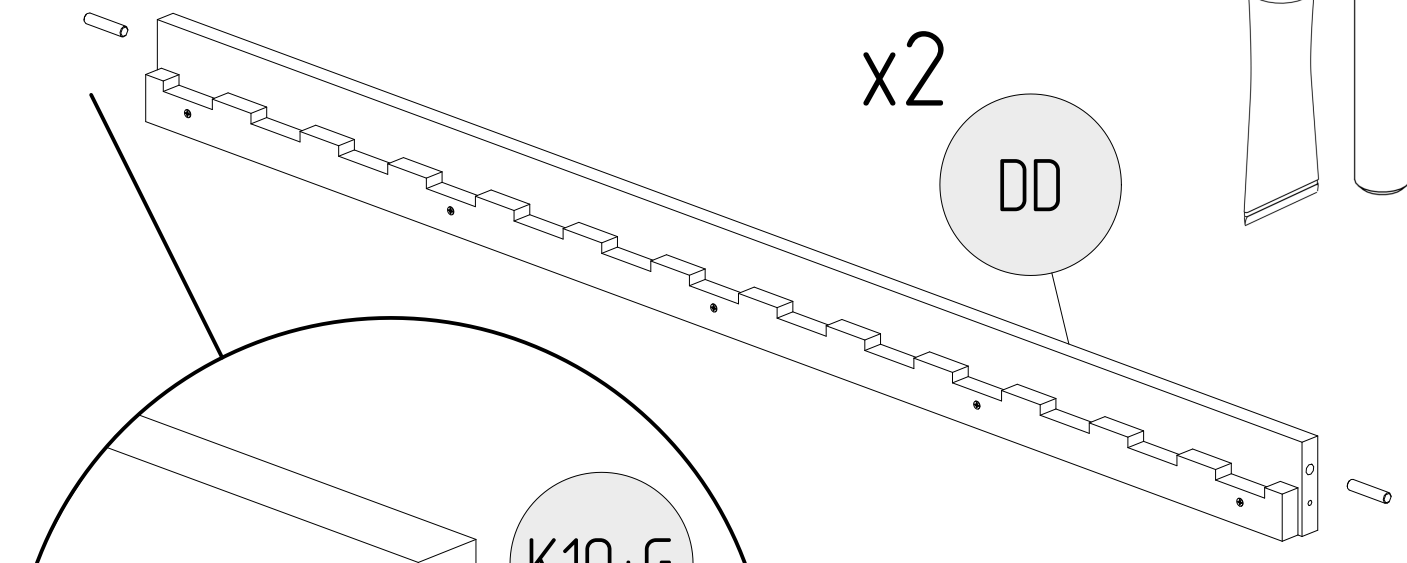
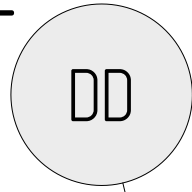
2



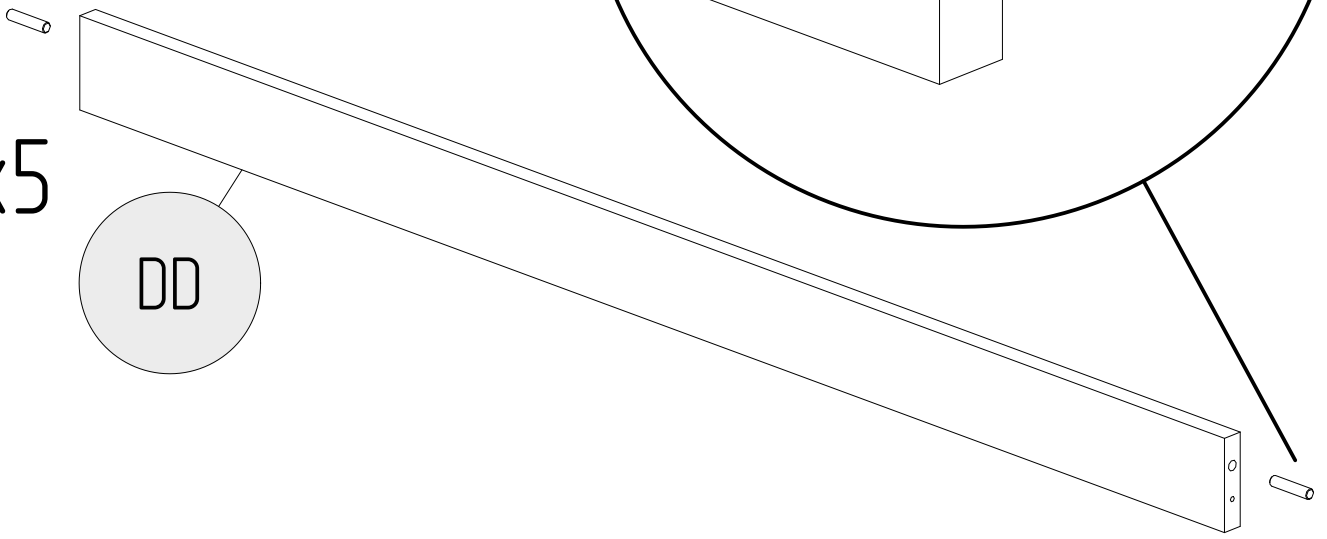
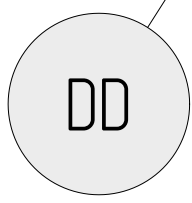
G K10

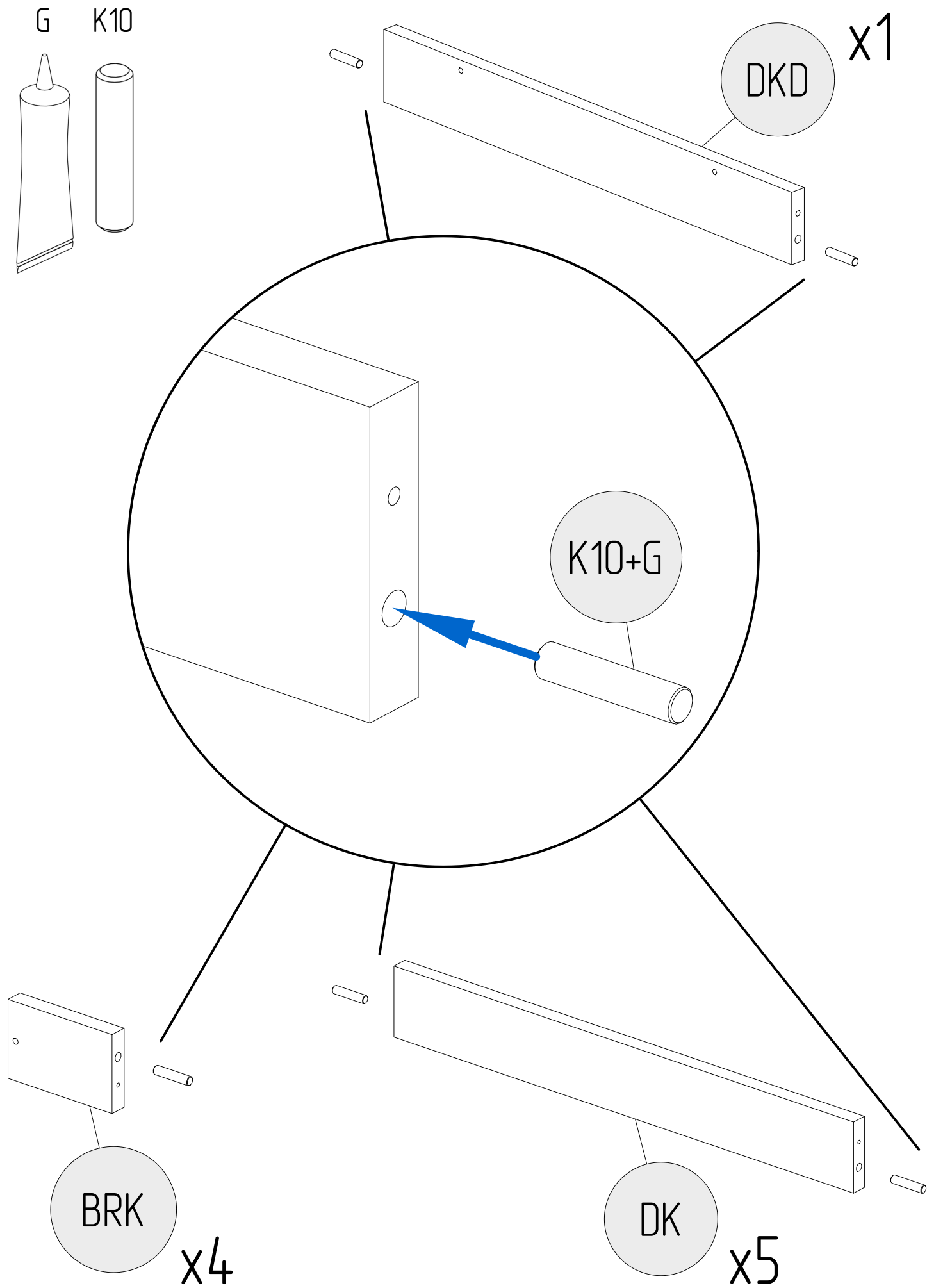


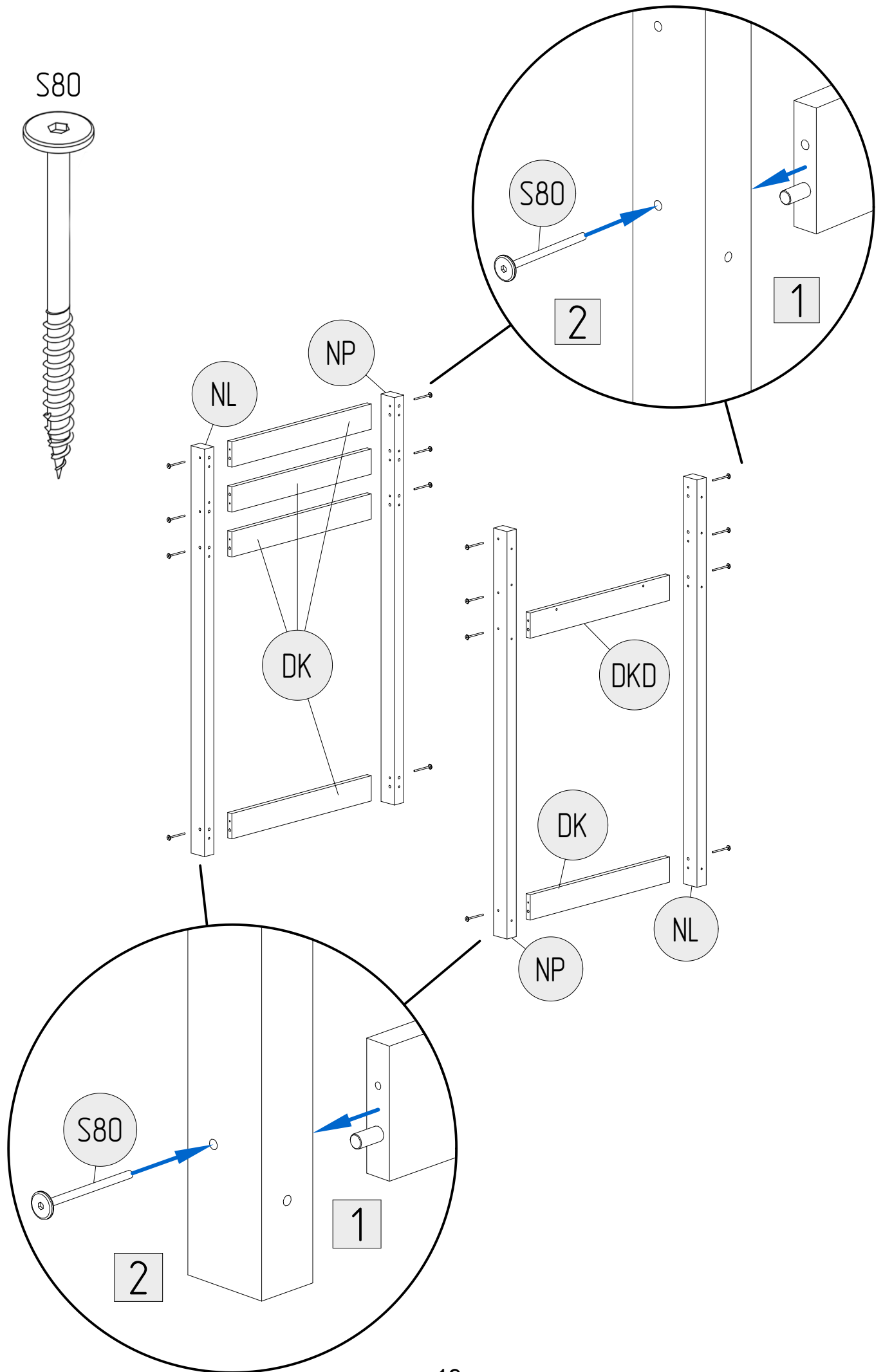
x2

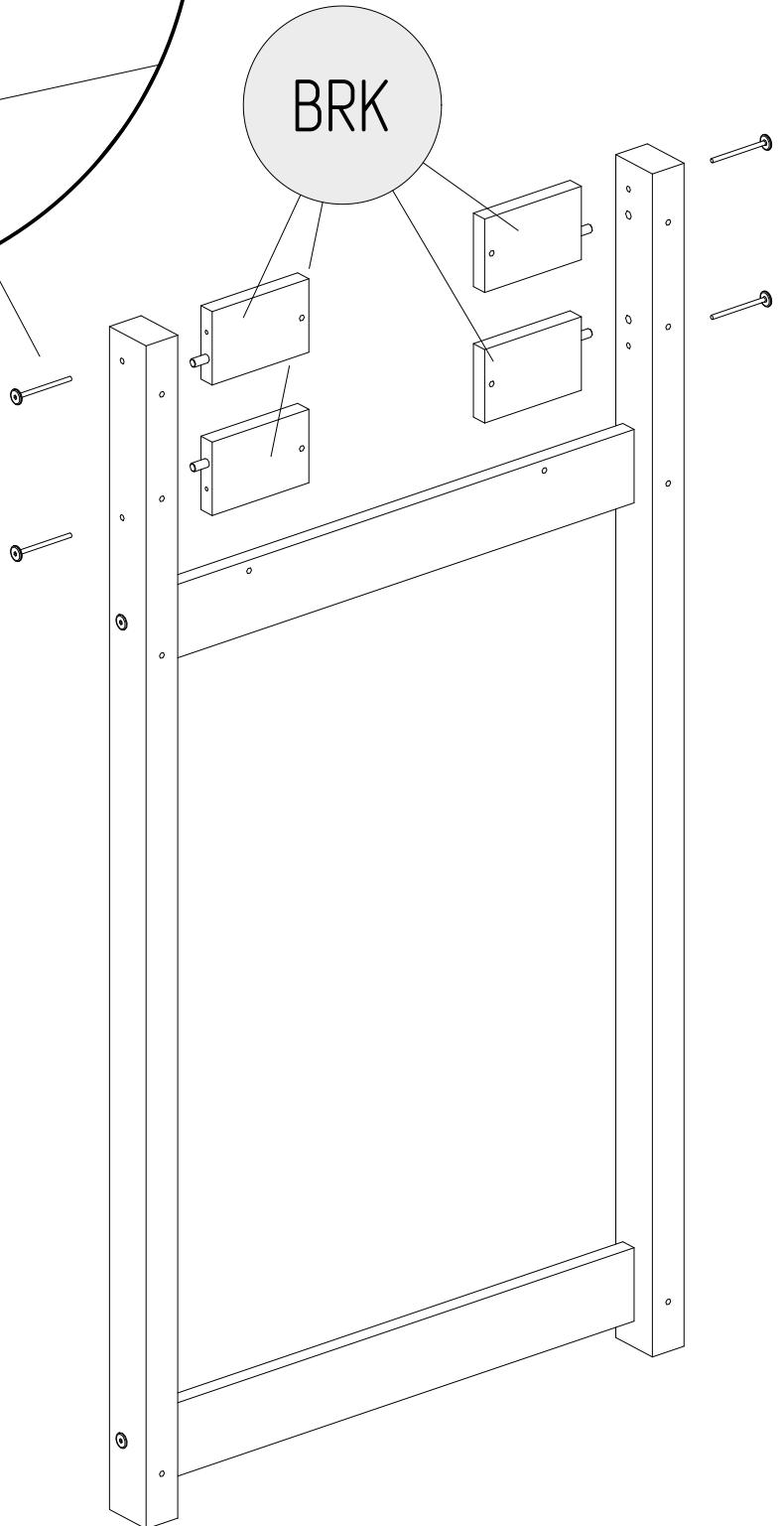
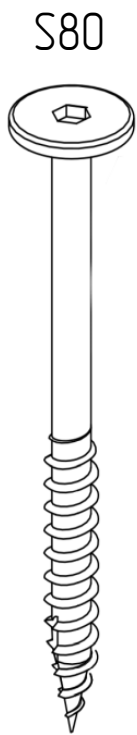
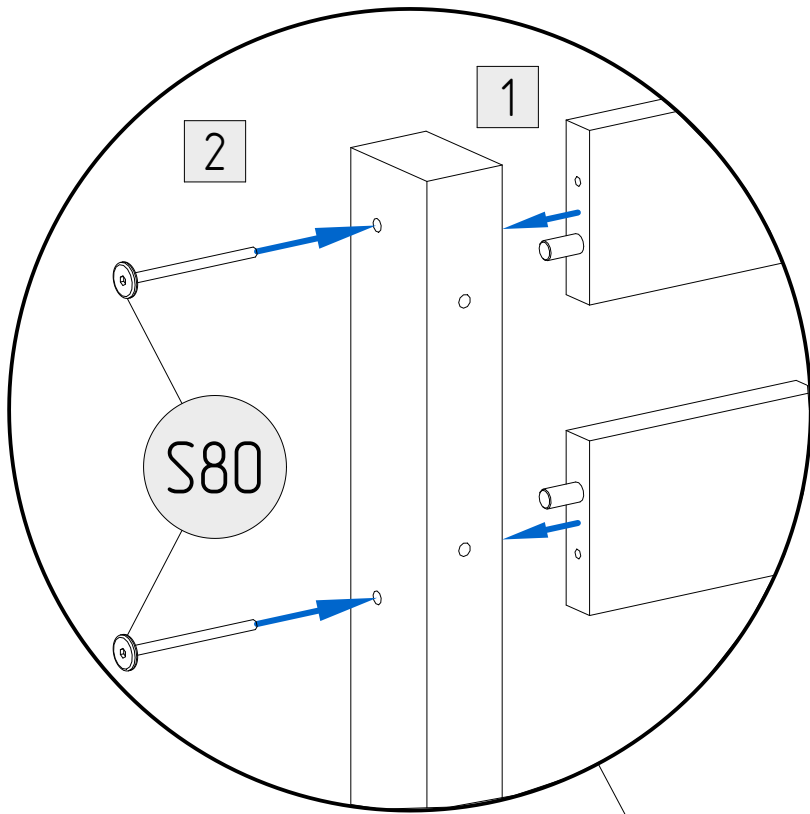


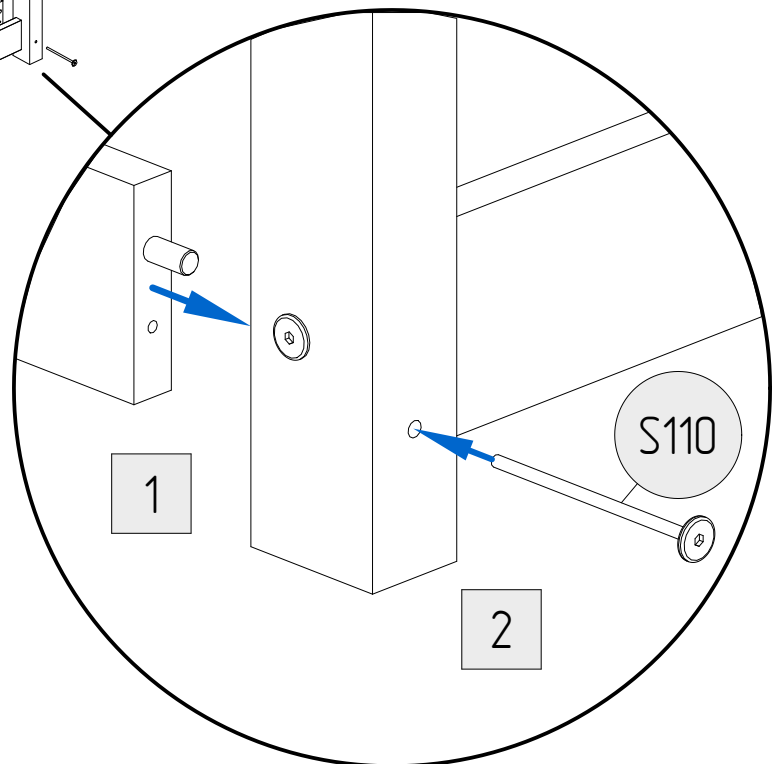
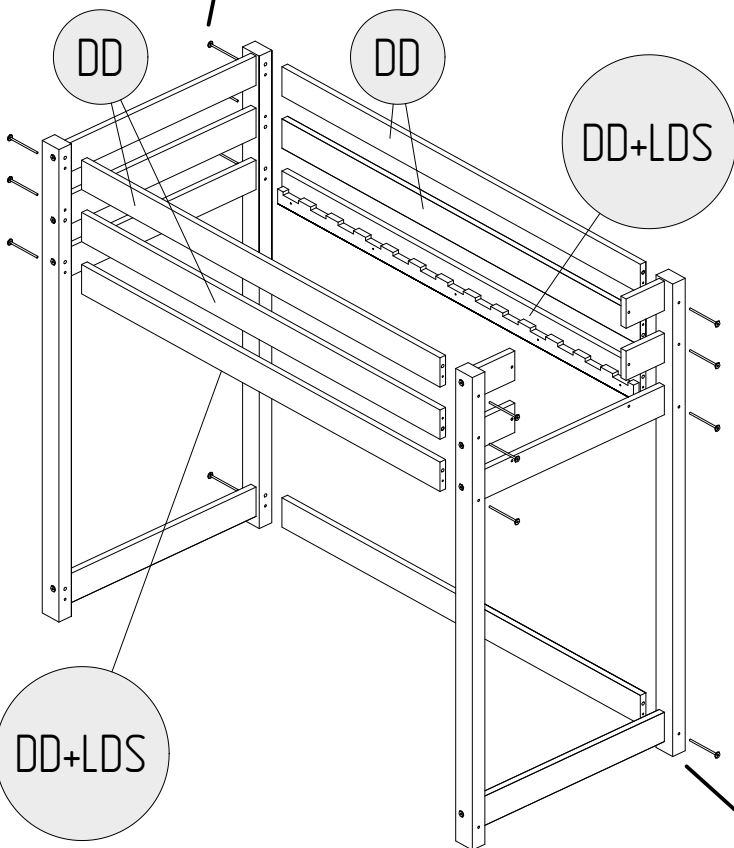
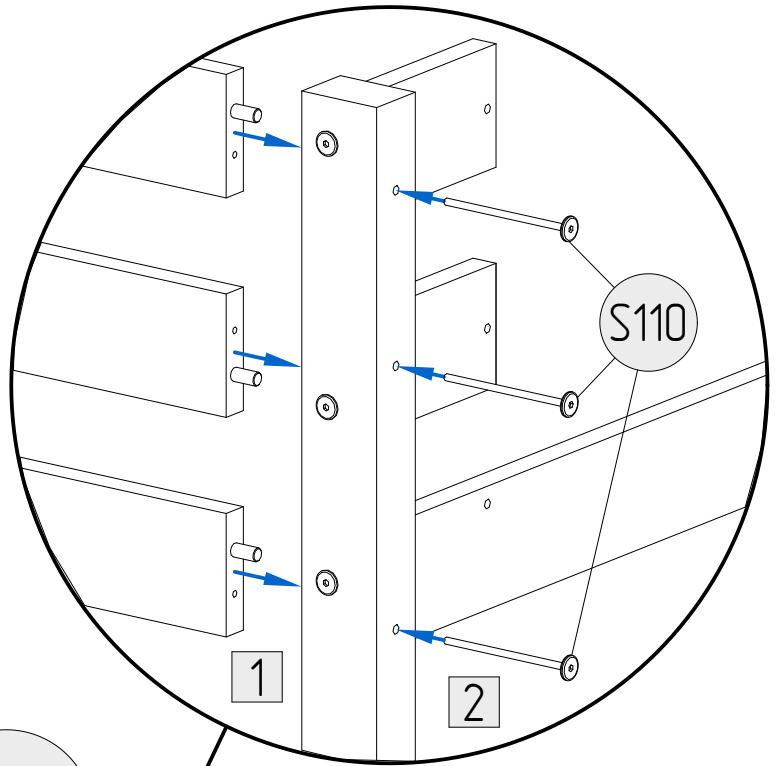
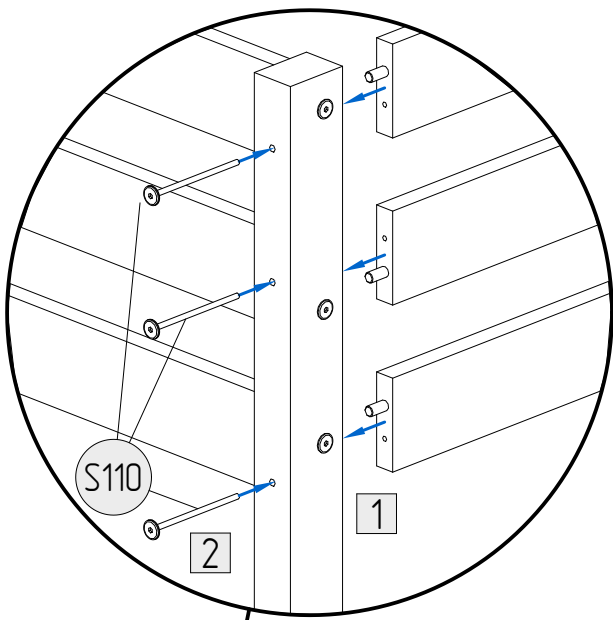
x5



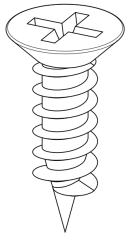




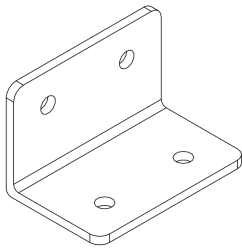




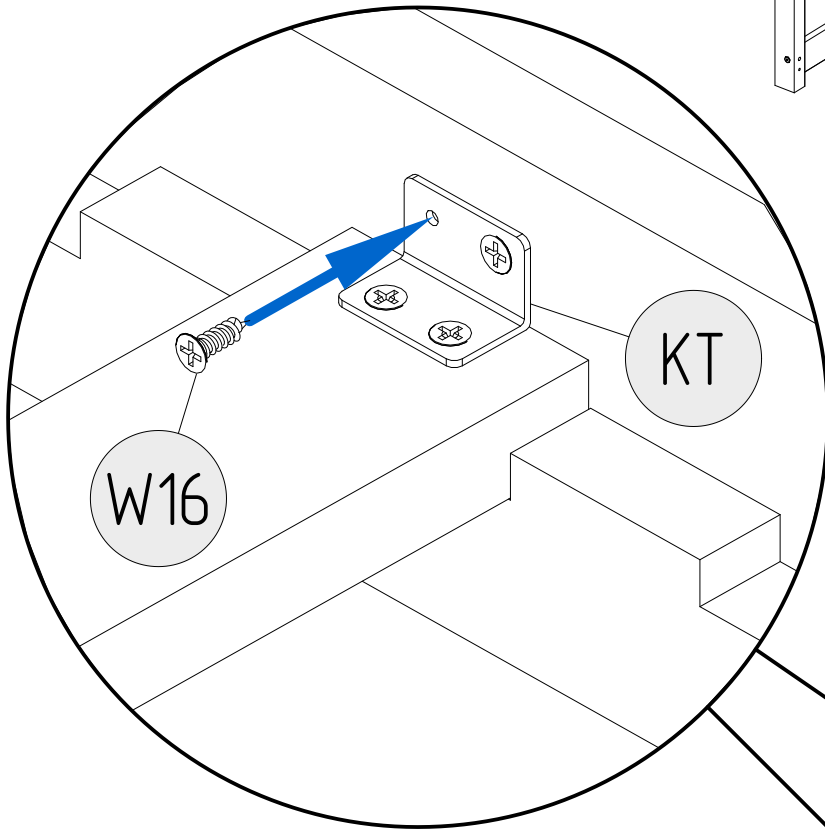
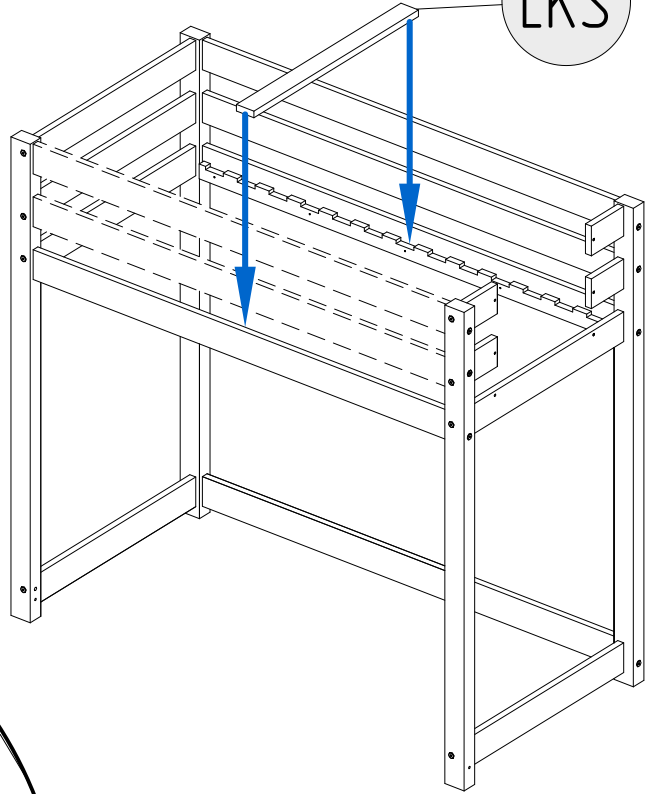
W16



KT

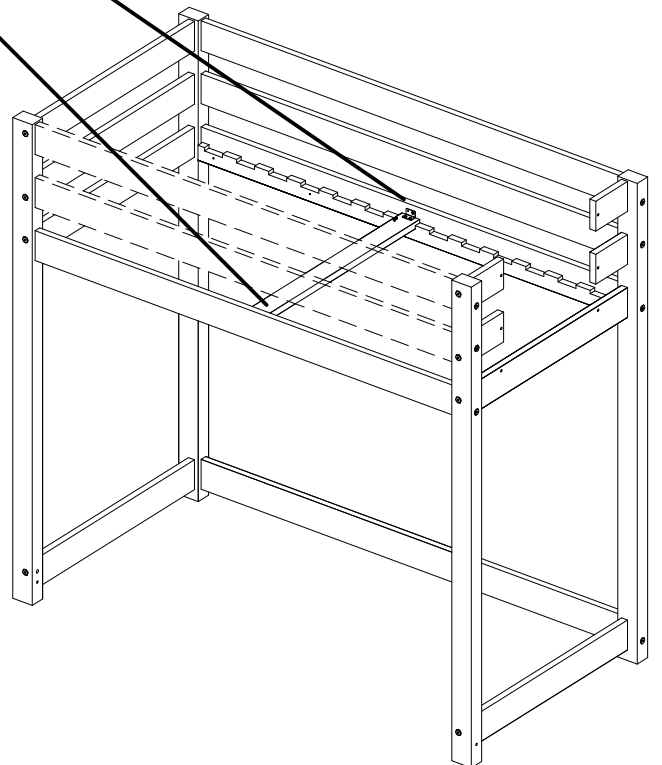


LKS



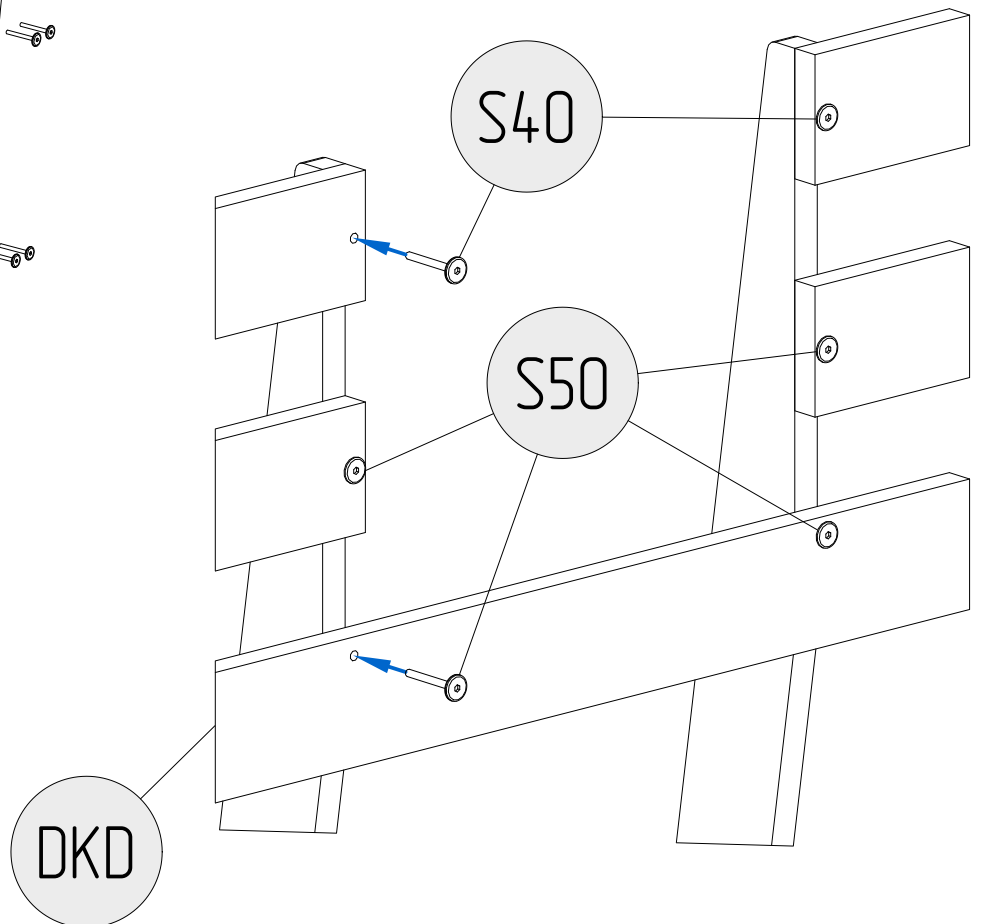
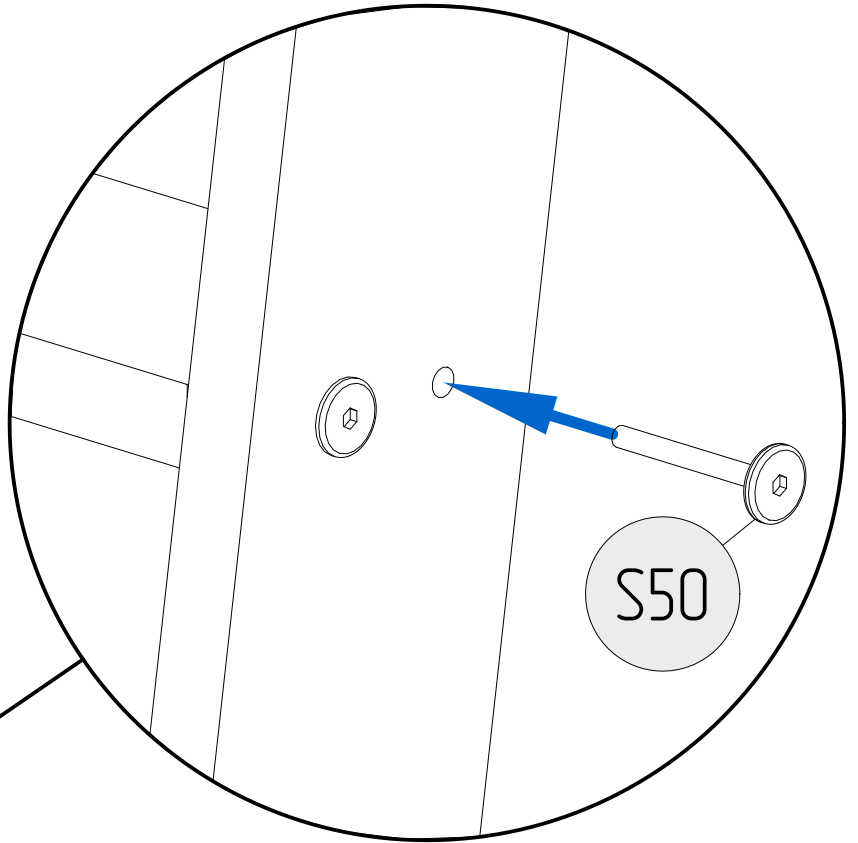
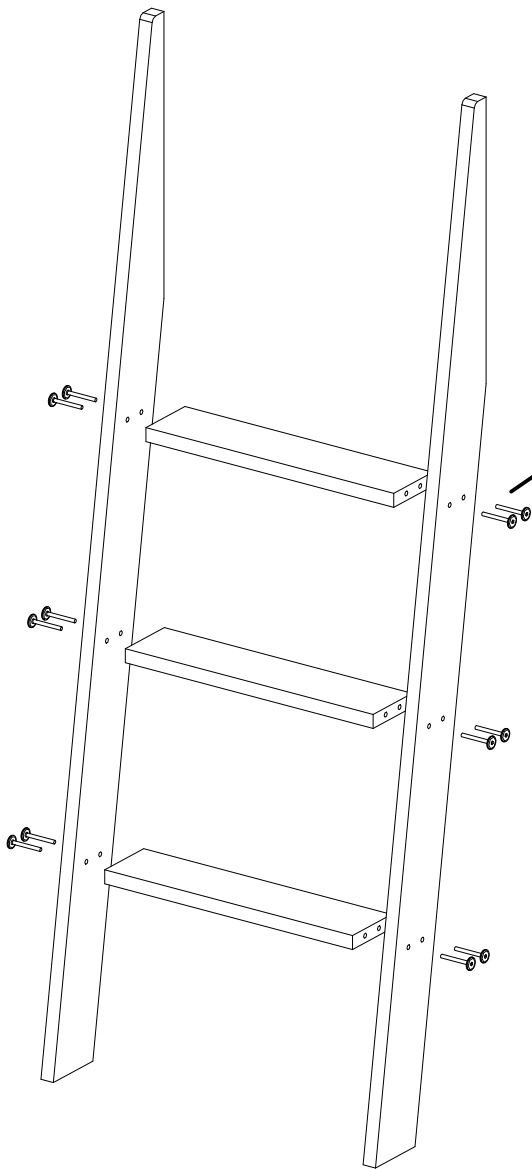
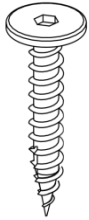
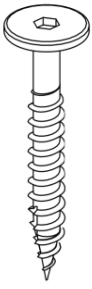
KT

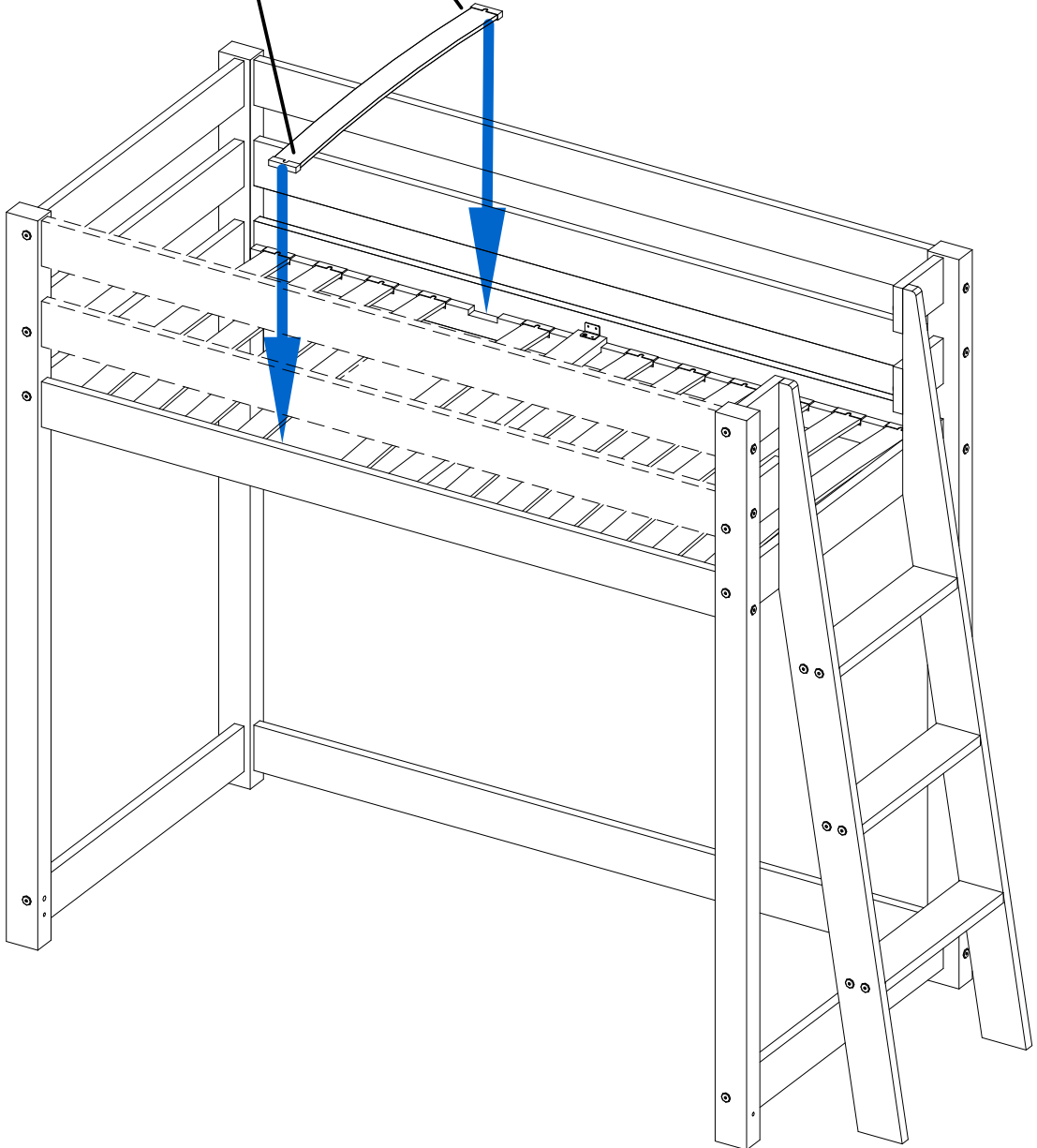
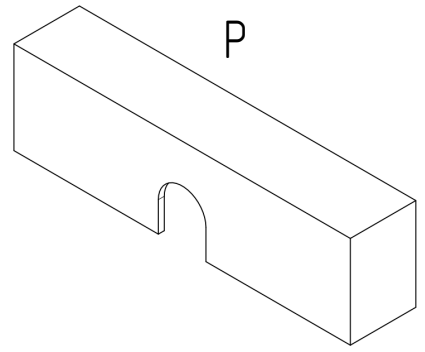
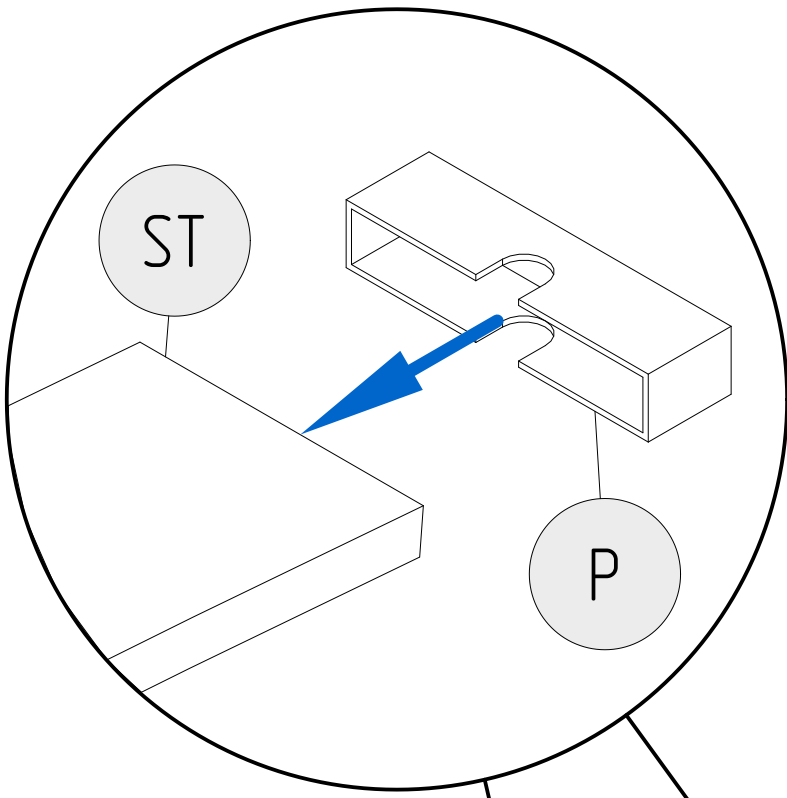
W16



S50

S40





Woohoo!

High-fives all around for a job well done.

We hope your little one is over the moon with their new Petit Puk bed. And why not show off all your hard work? Snap a pic and share it with us on Instagram (tag us @petitpuk) or shoot us an email at info@petitpuk.com. We love seeing our creations come to life in your wonderful homes!

Now, before your kid dives in headfirst, here are a few friendly reminders:

- Stick to mattresses between 8-14 cm thick for the perfect fit.
- Beds are for snoozing, not bouncing
- Keep it safe with just one child on the bunk bed.
- Please, no acrobatics - avoid hanging off any parts of the bed.
- Keep things tidy with a gentle wipe-down of wooden and plastic parts using a dry cloth and mild cleaner.

Warranty

We've got your back with a 2-year warranty on bed parts under normal use. If you ever need a hand or have any questions, don't hesitate to reach out to Team Petit Puk. Just send us a message with your name and order number, along with images of the situation.