






Assembly Manual for JOE

Congratulations on your new Petit Puk item! Get ready to transform your kid's sleeping space into a fortress of imagination, a castle of coziness, and a launchpad for their sweetest dreams! When you follow this step-by-step assembly, you'll breeze through the process.

Quick Checklist:

-  Is everything complete?
-  All pieces in good shape?
-  Do no start adding glue before you made sure all pieces are there and in perfect shape
-  Note! Applying glue to the bed base is **not** mandatory, as it could hinder the disassembly process later on. Let's keep things flexible for future adventures!
-  Ready to take a photo of your great work once completed and share with us?

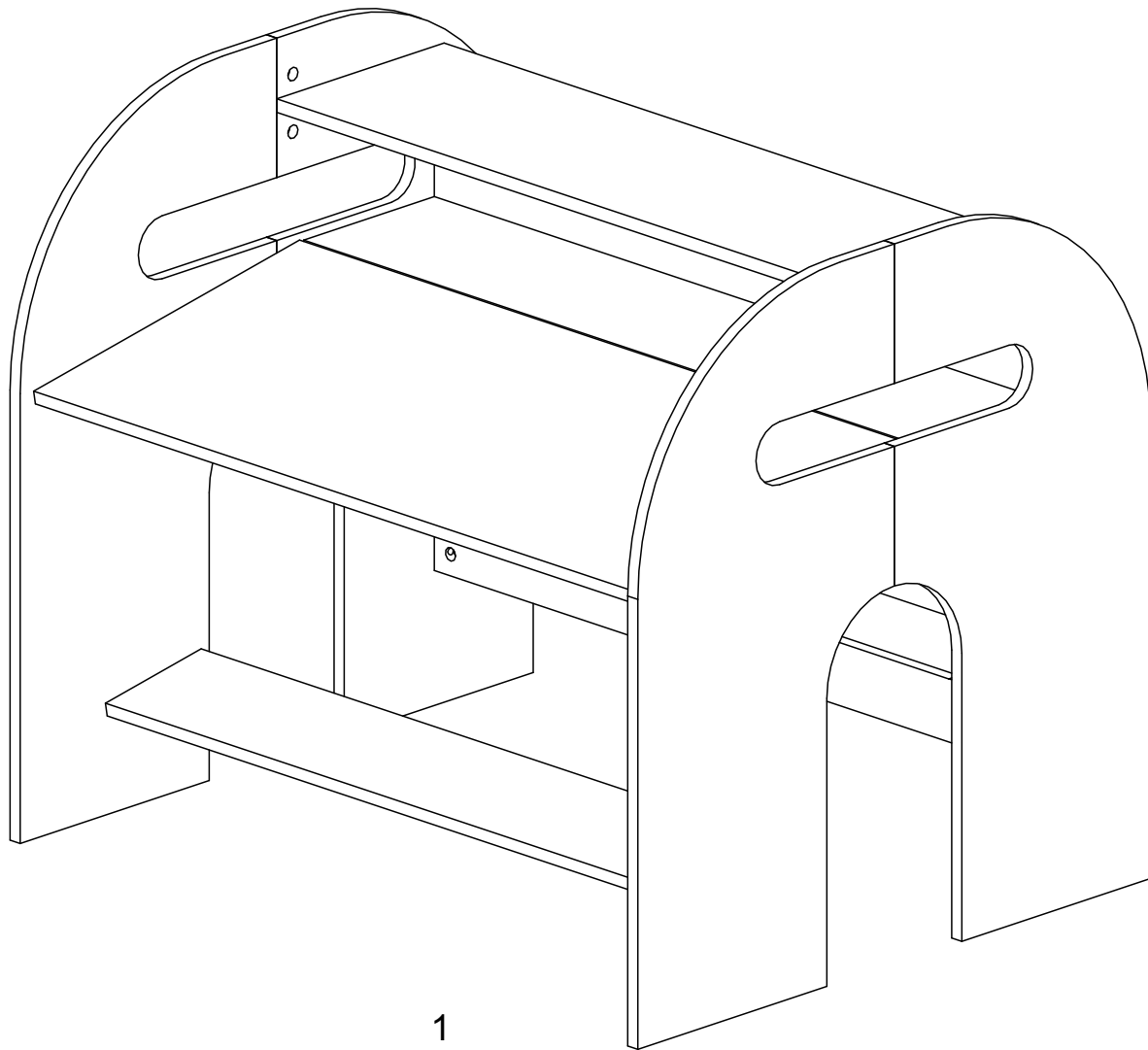
Ticked all the boxes? Put on your superhero cape, and let's dive into the wonderful world of bed building.

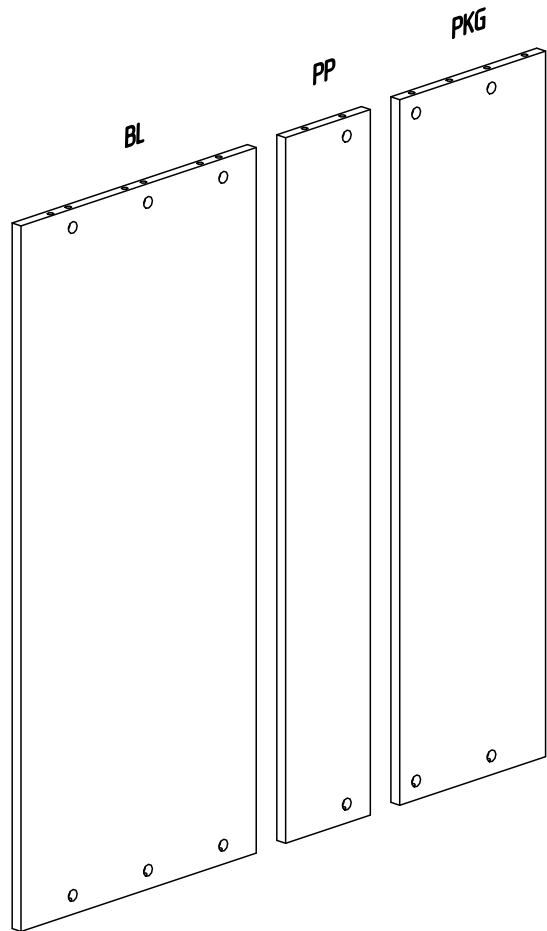
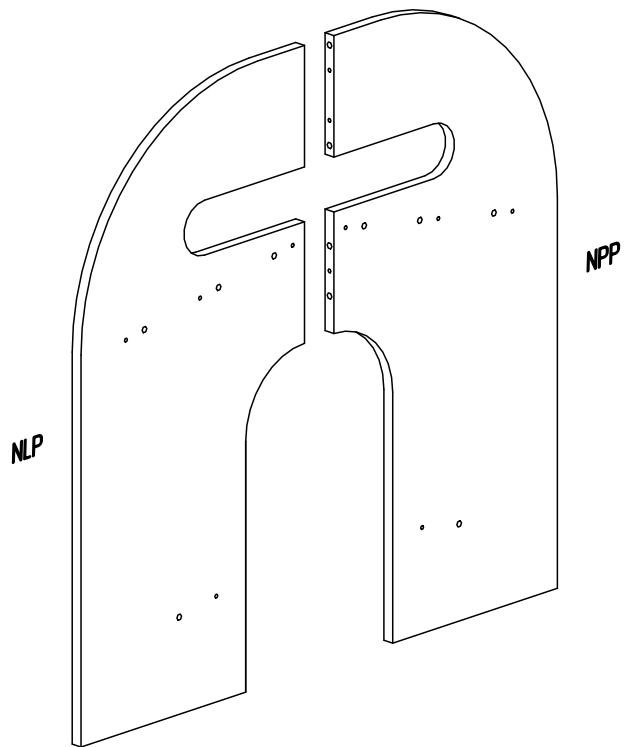
Big wave,
Team Petit Puk

Questions? Reach out via customercare@petitpuk.com

Compliments? Tag us on instagram @petitpuk

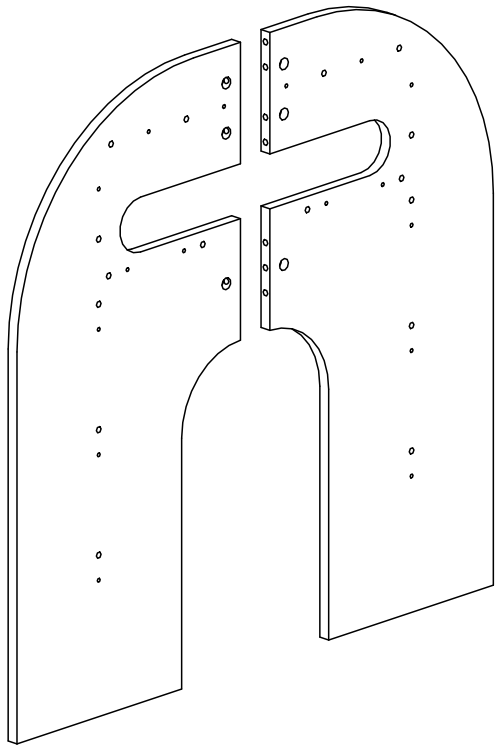
93x76x80



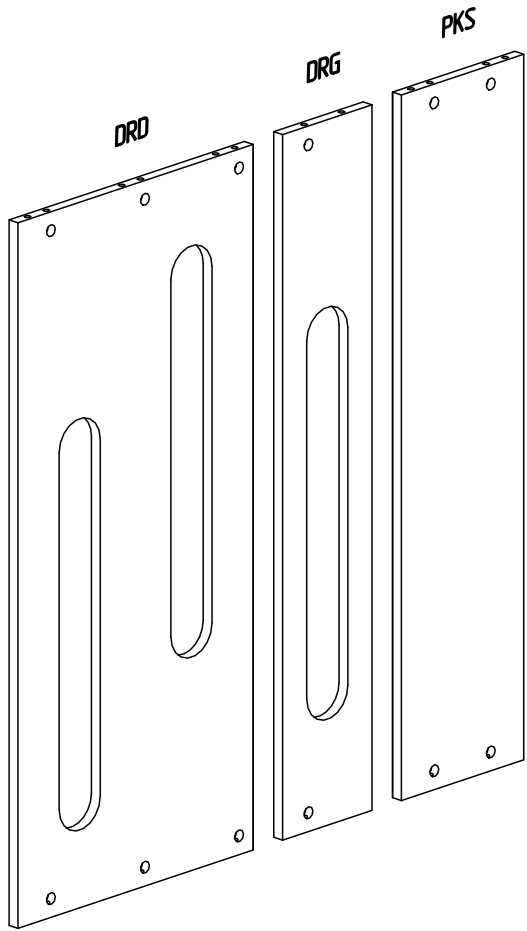


- NLP - x1
- NPP - x1
- BL - x1
- PKG - x1
- PP - x1

NPT

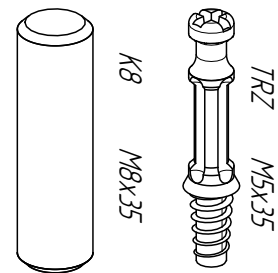
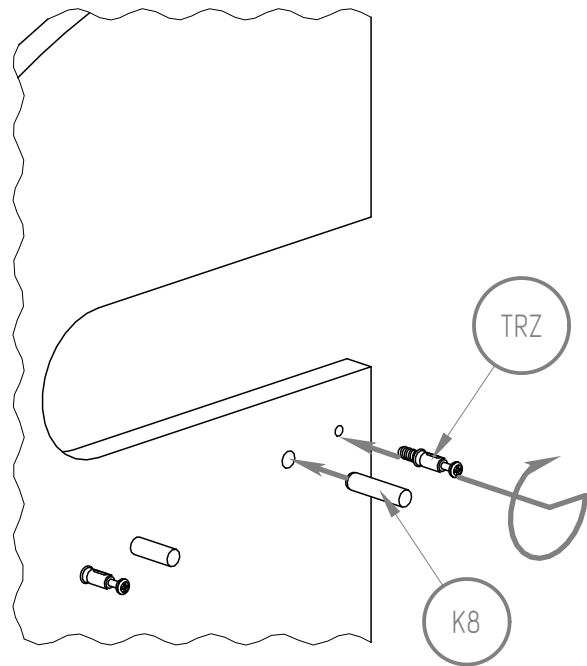
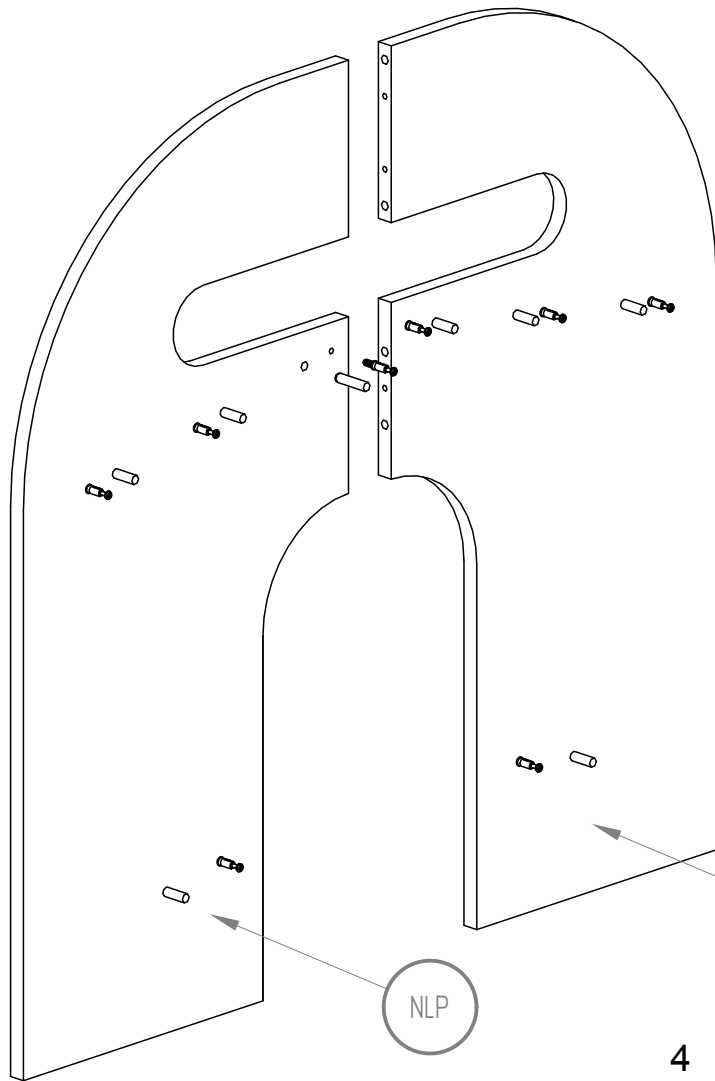


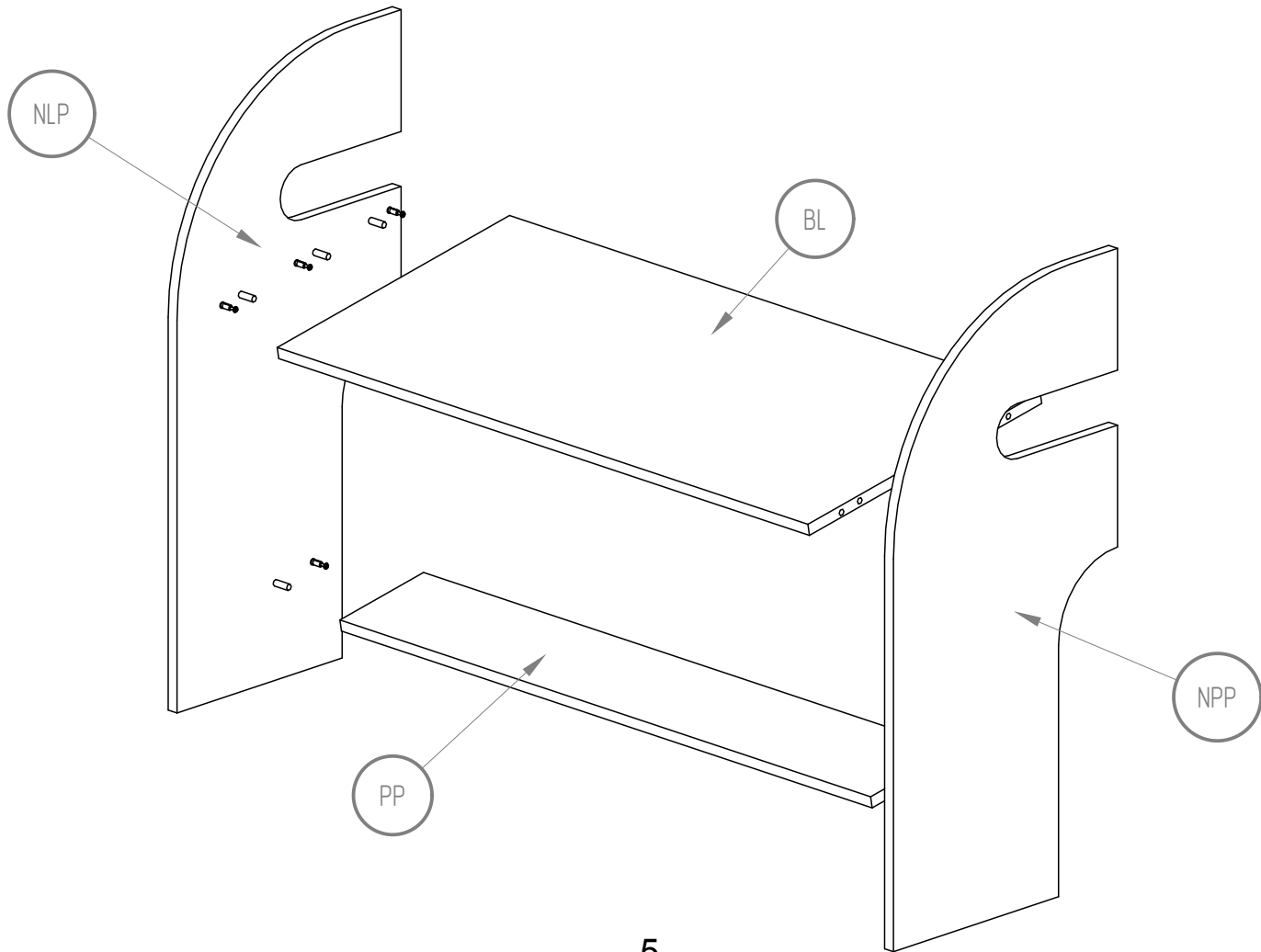
NLT

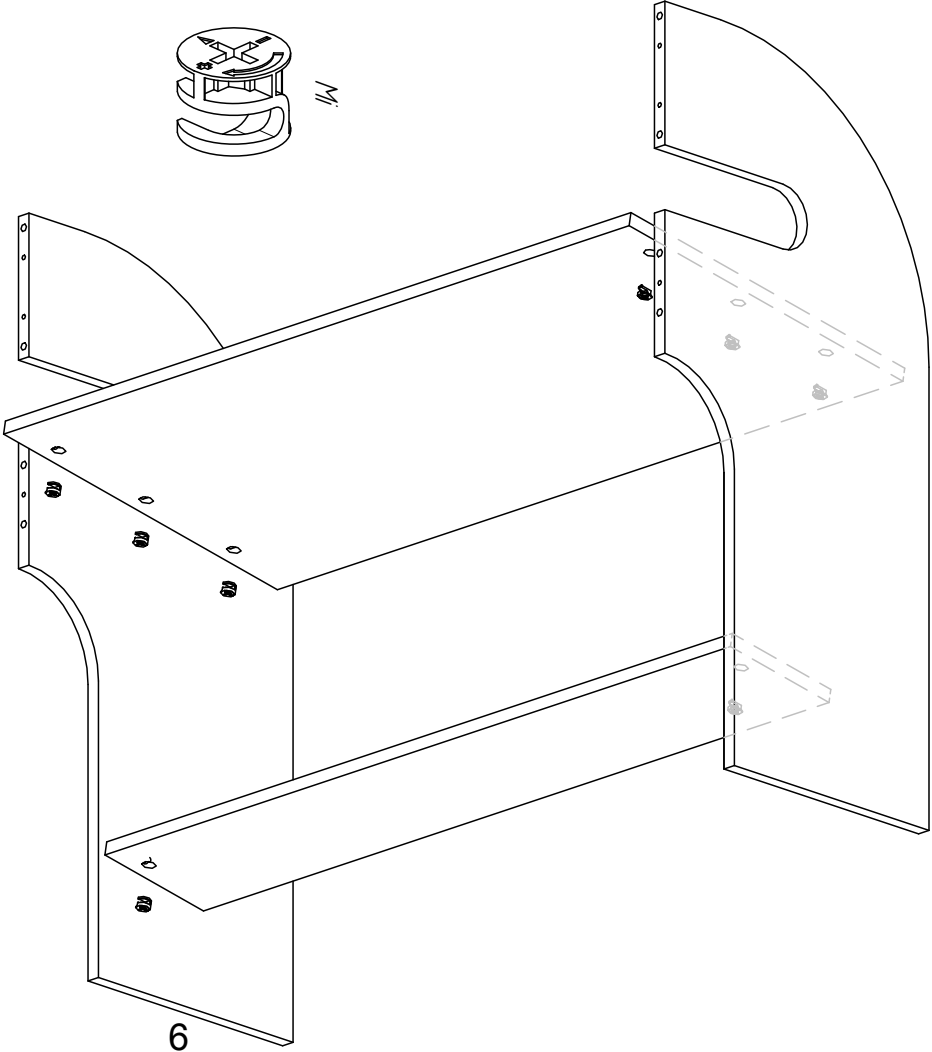
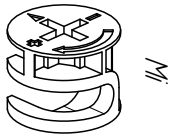
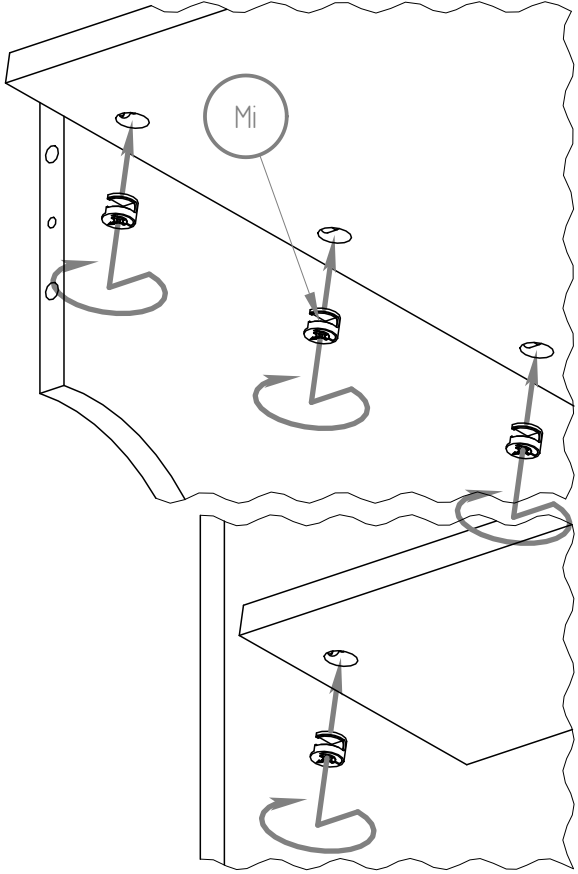


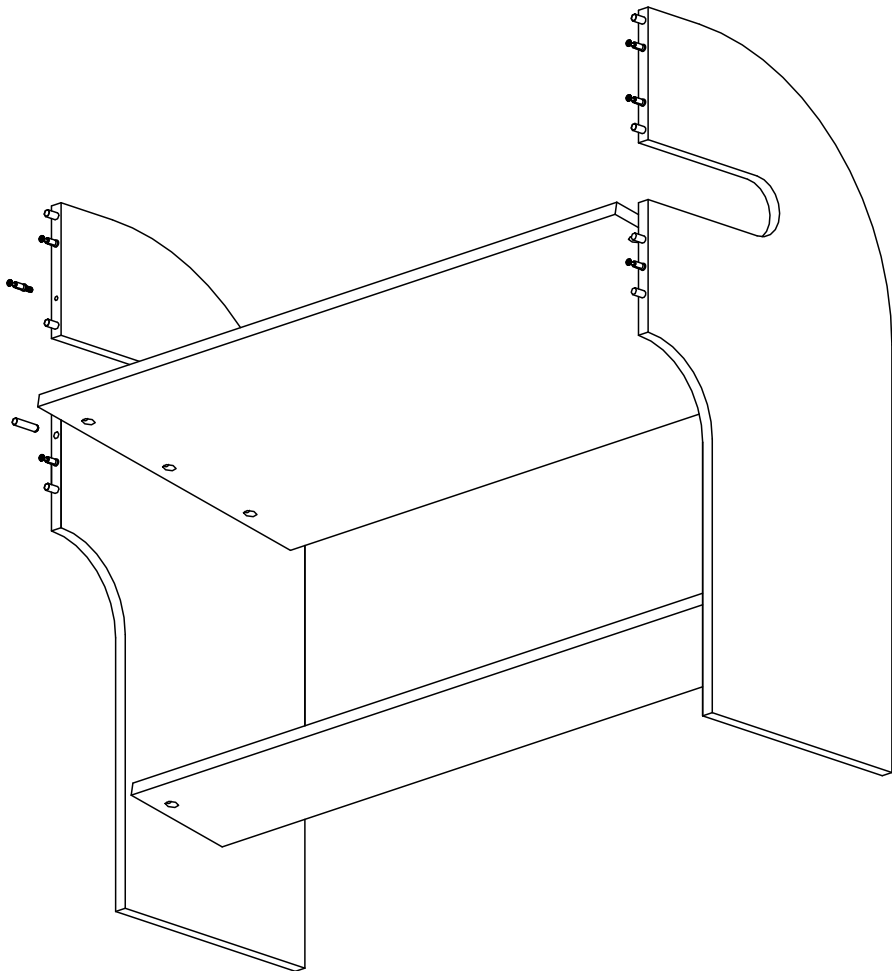
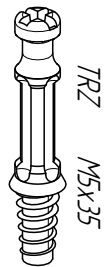
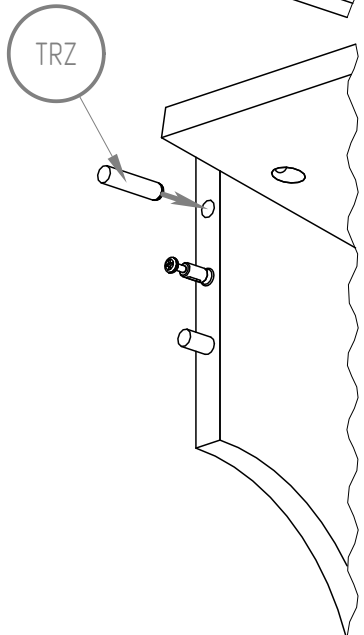
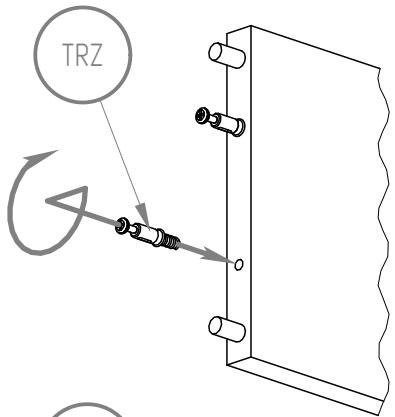
3

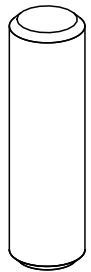
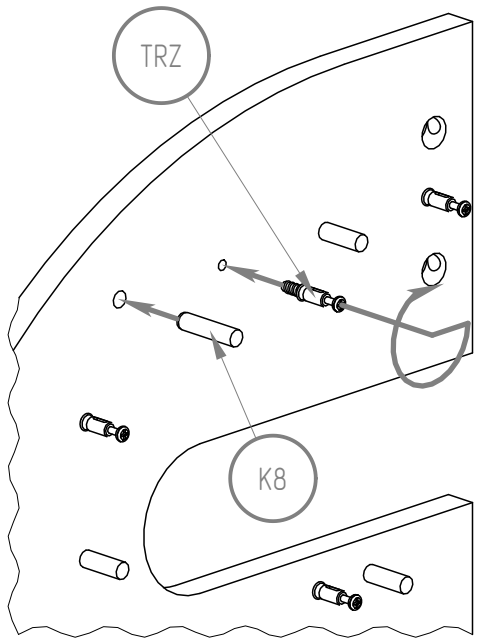
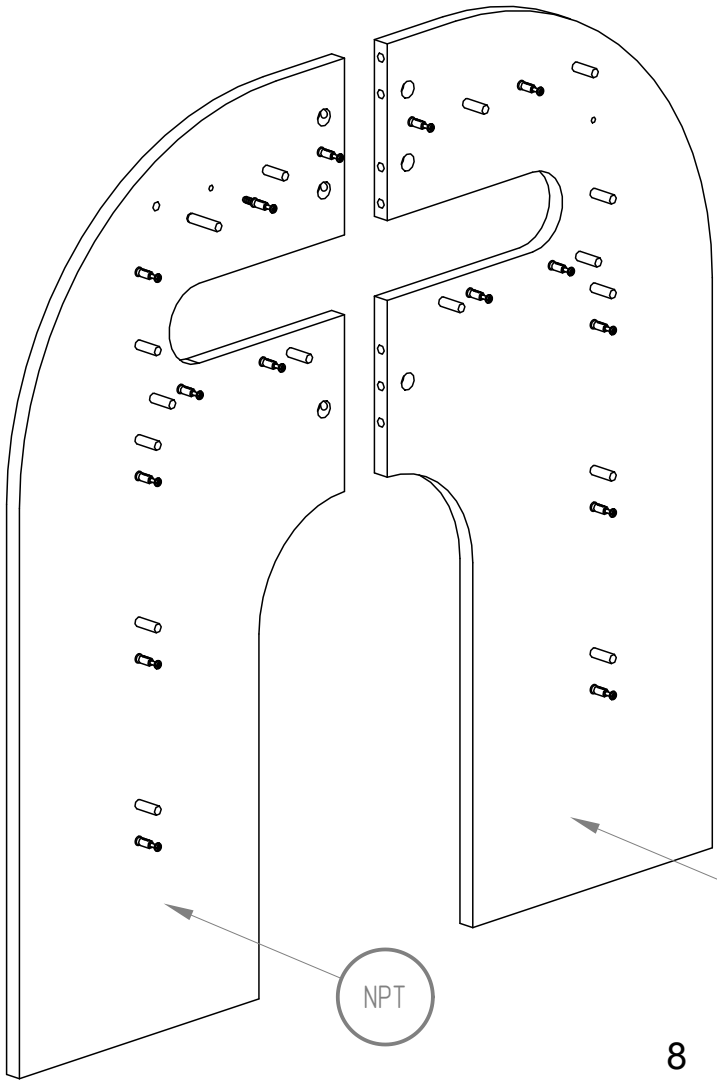
- NLT - x1*
- NPT - x1*
- DRG - x1*
- DRD - x1*
- PKS - x1*



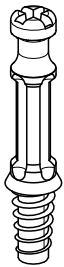




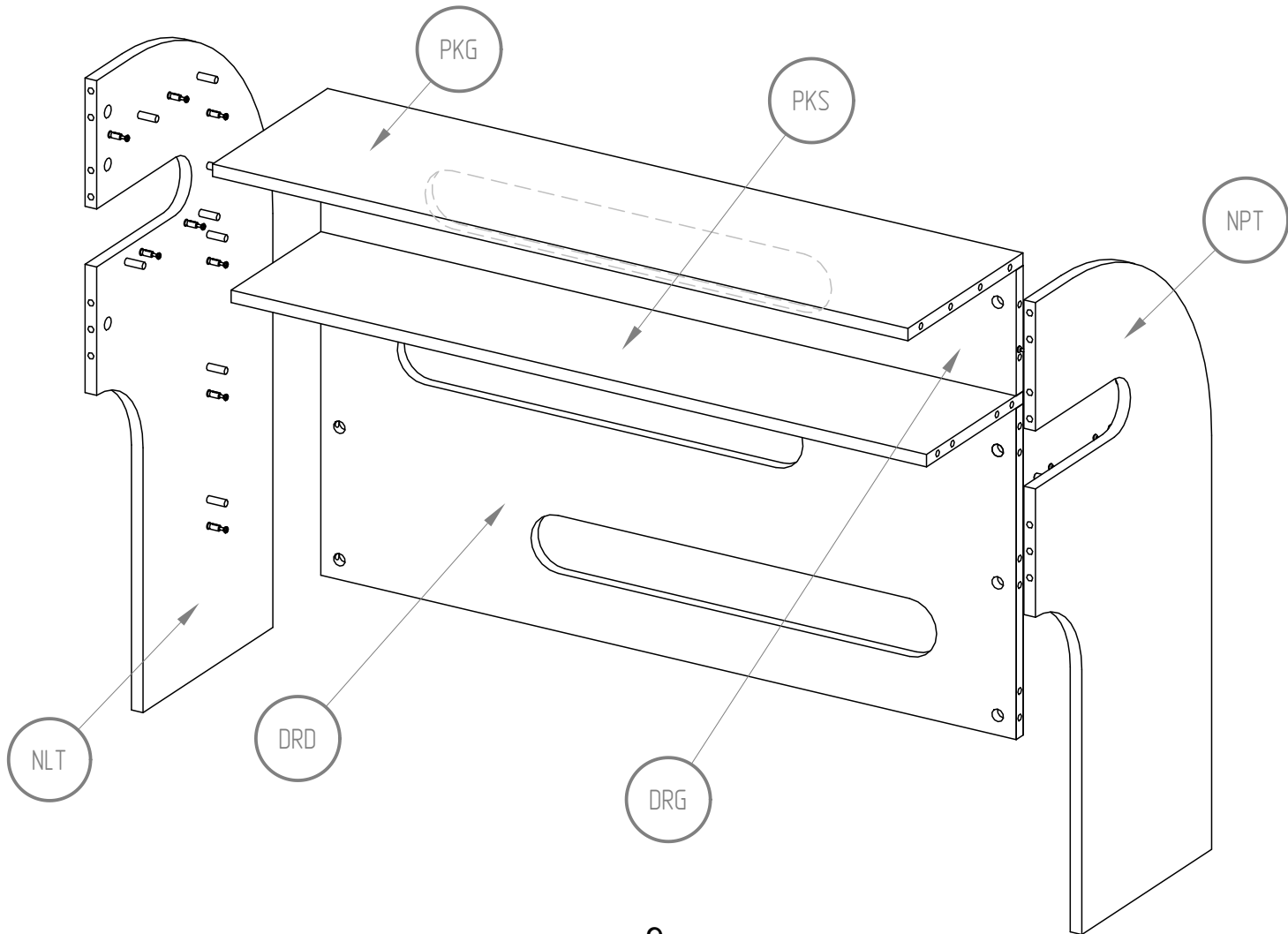


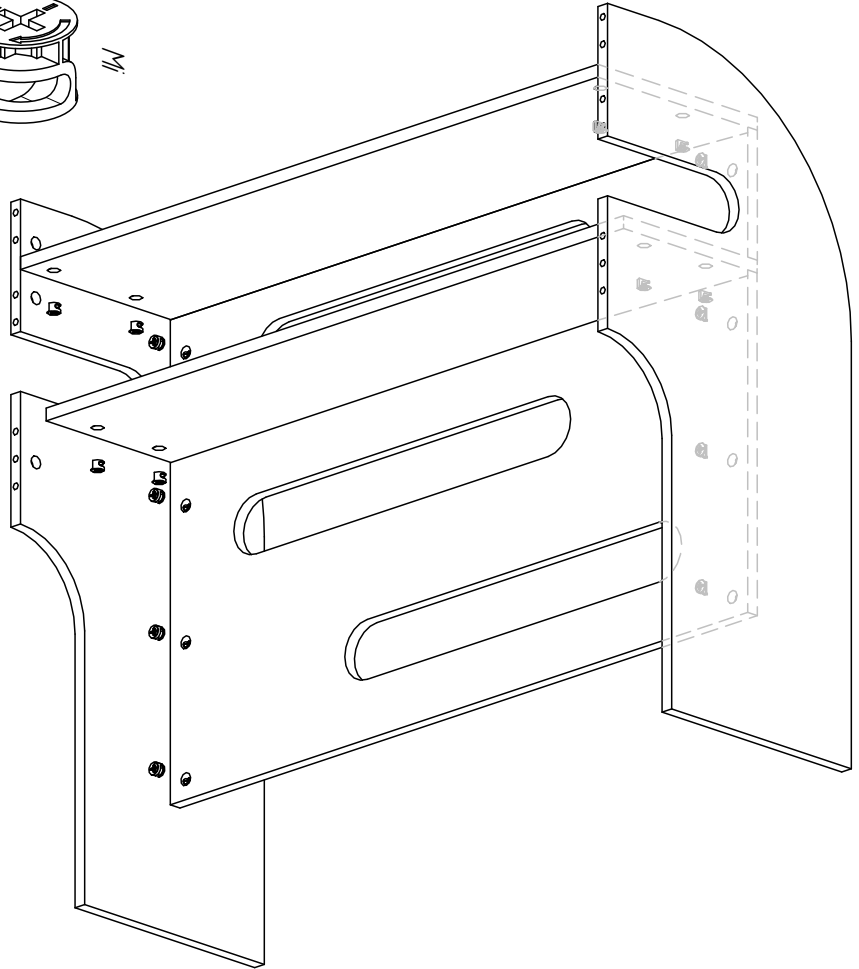
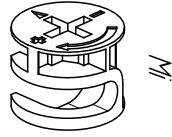
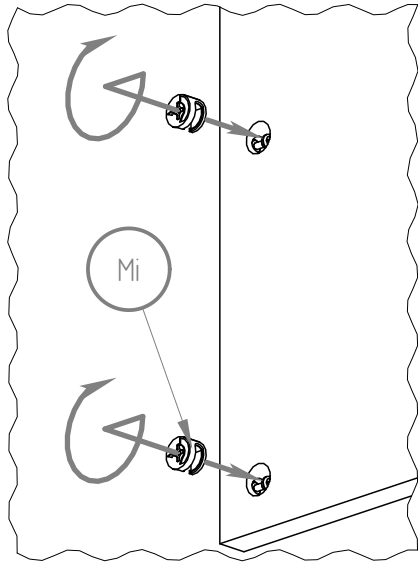
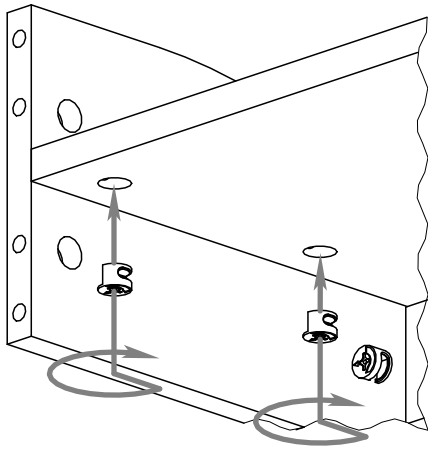


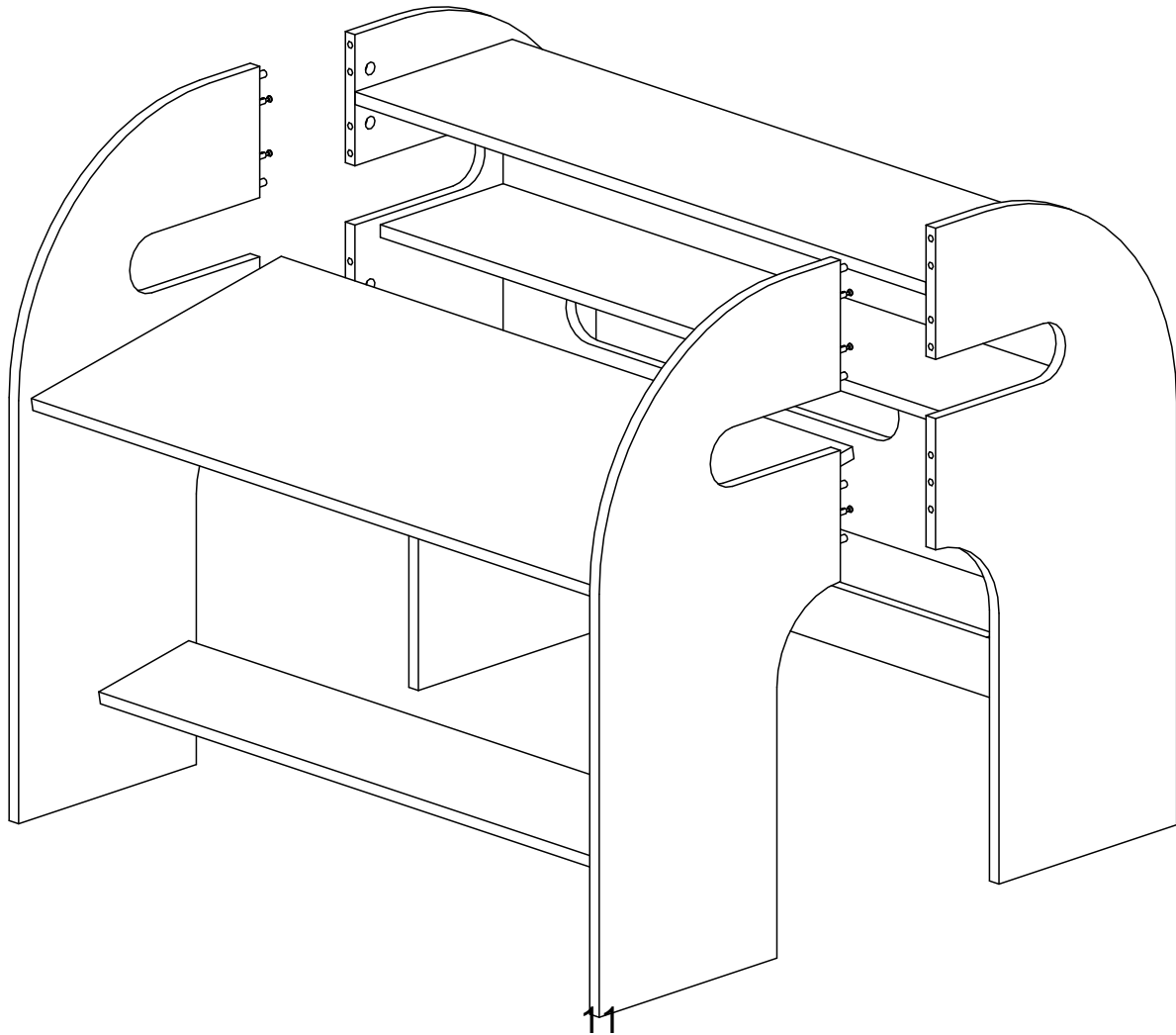
K8
M8x35

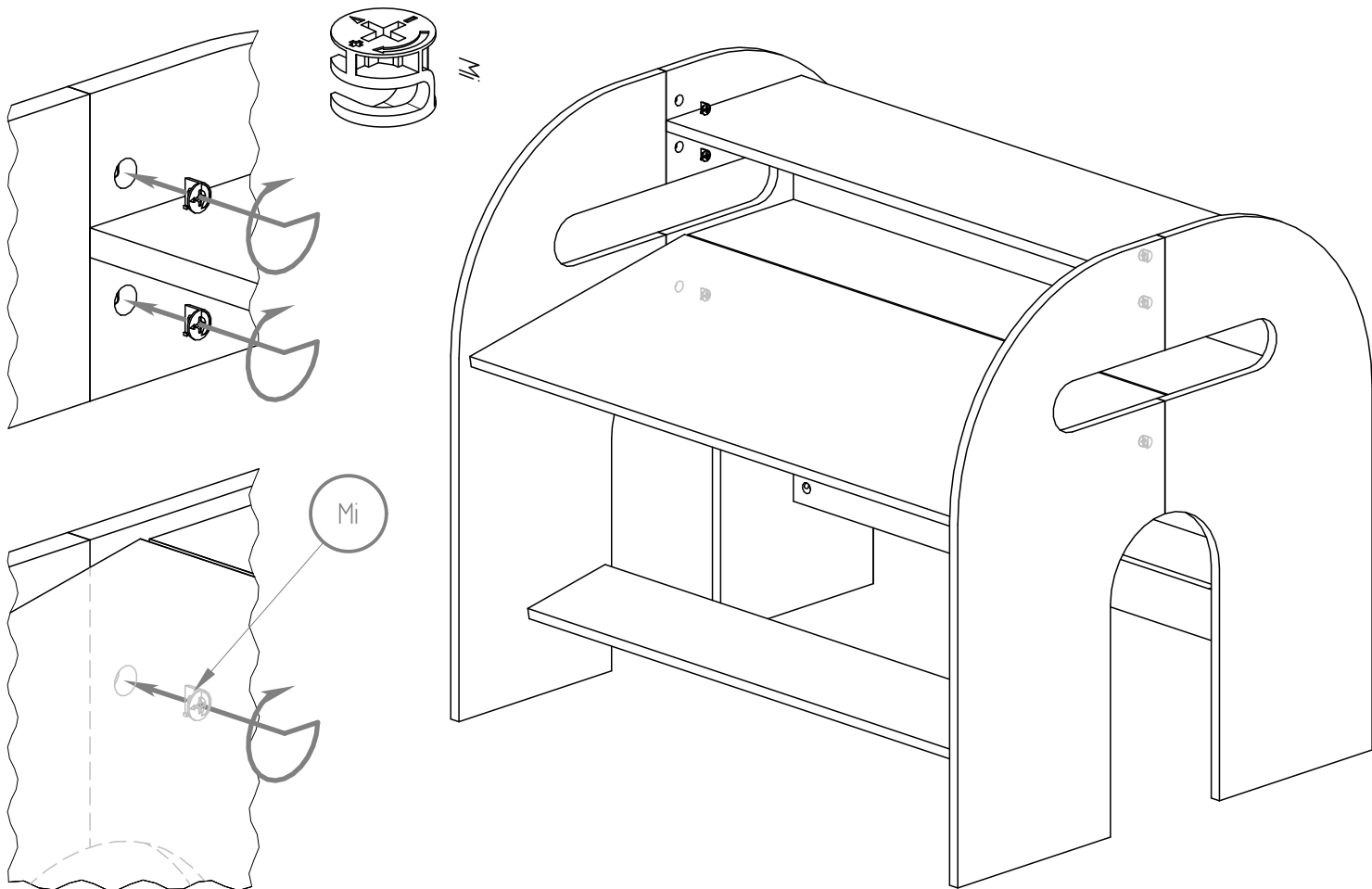


TRZ
M5x35

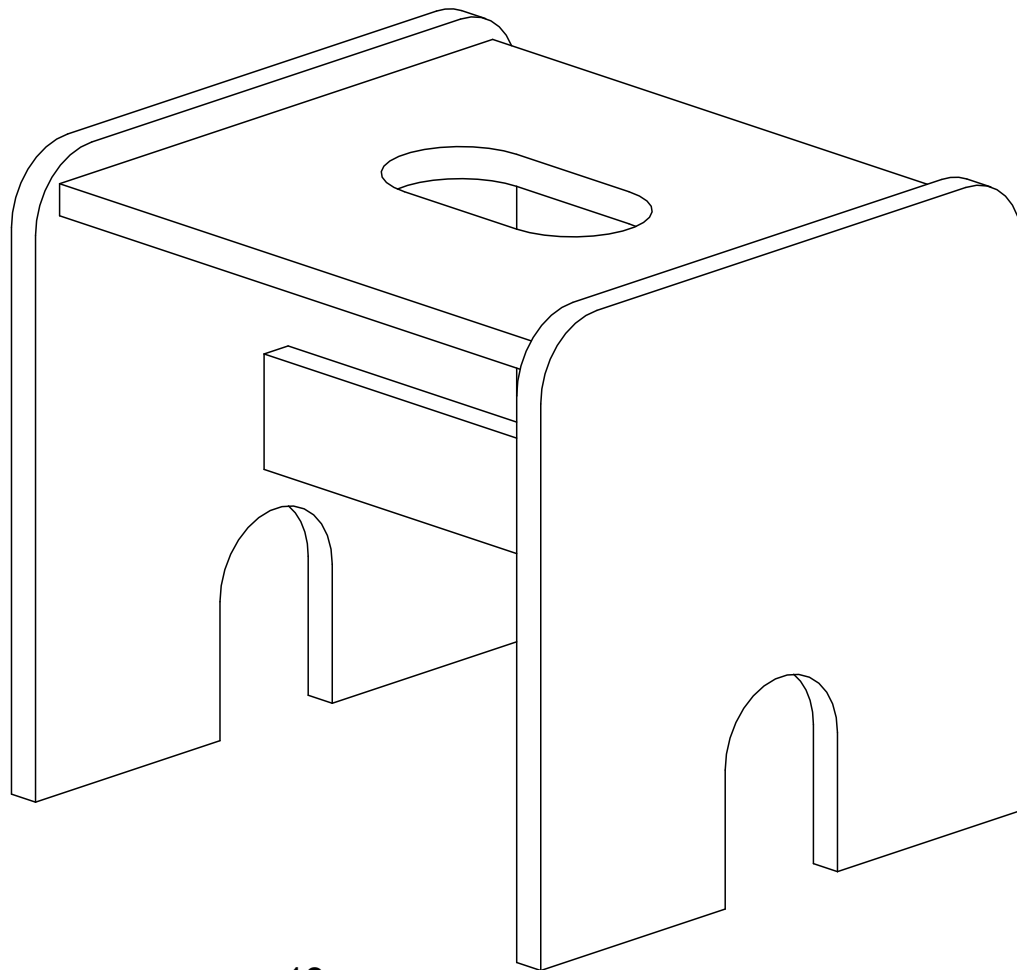


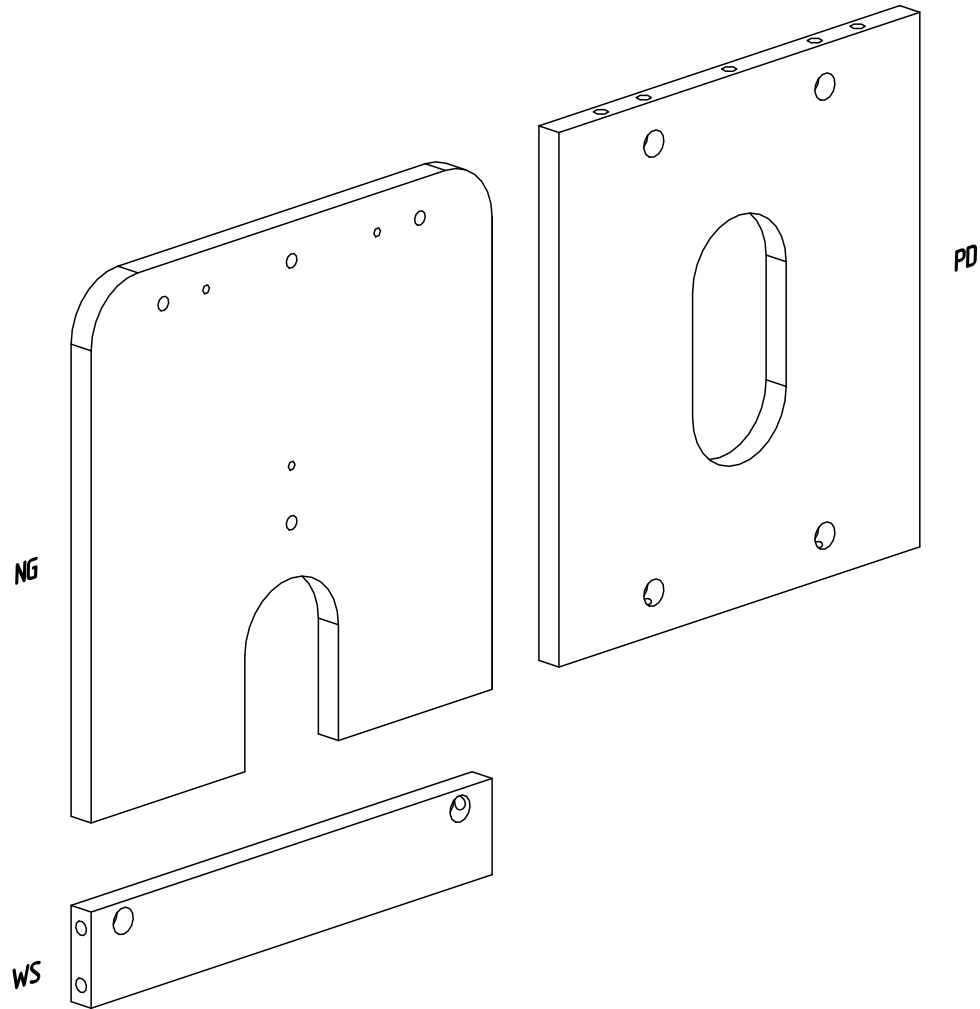




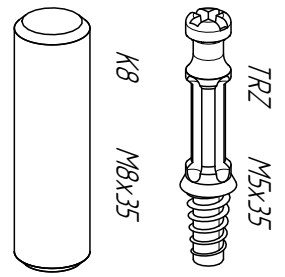
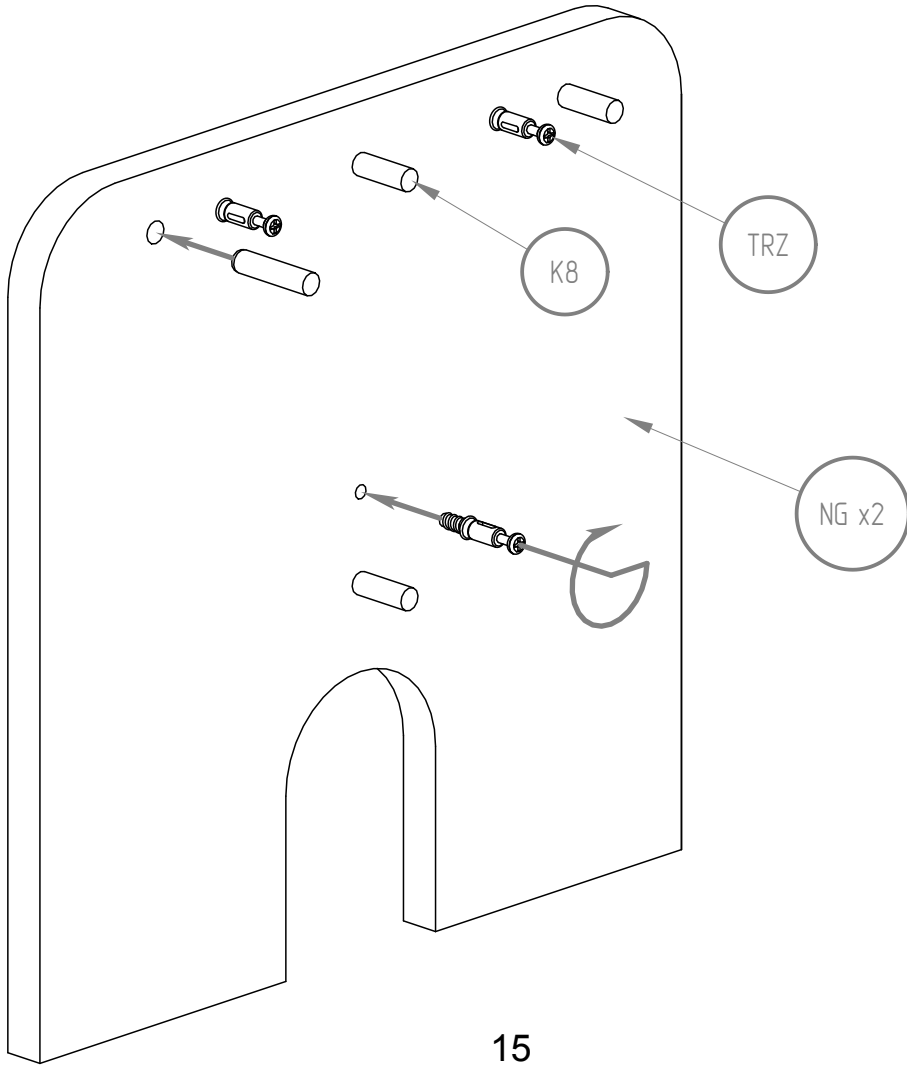


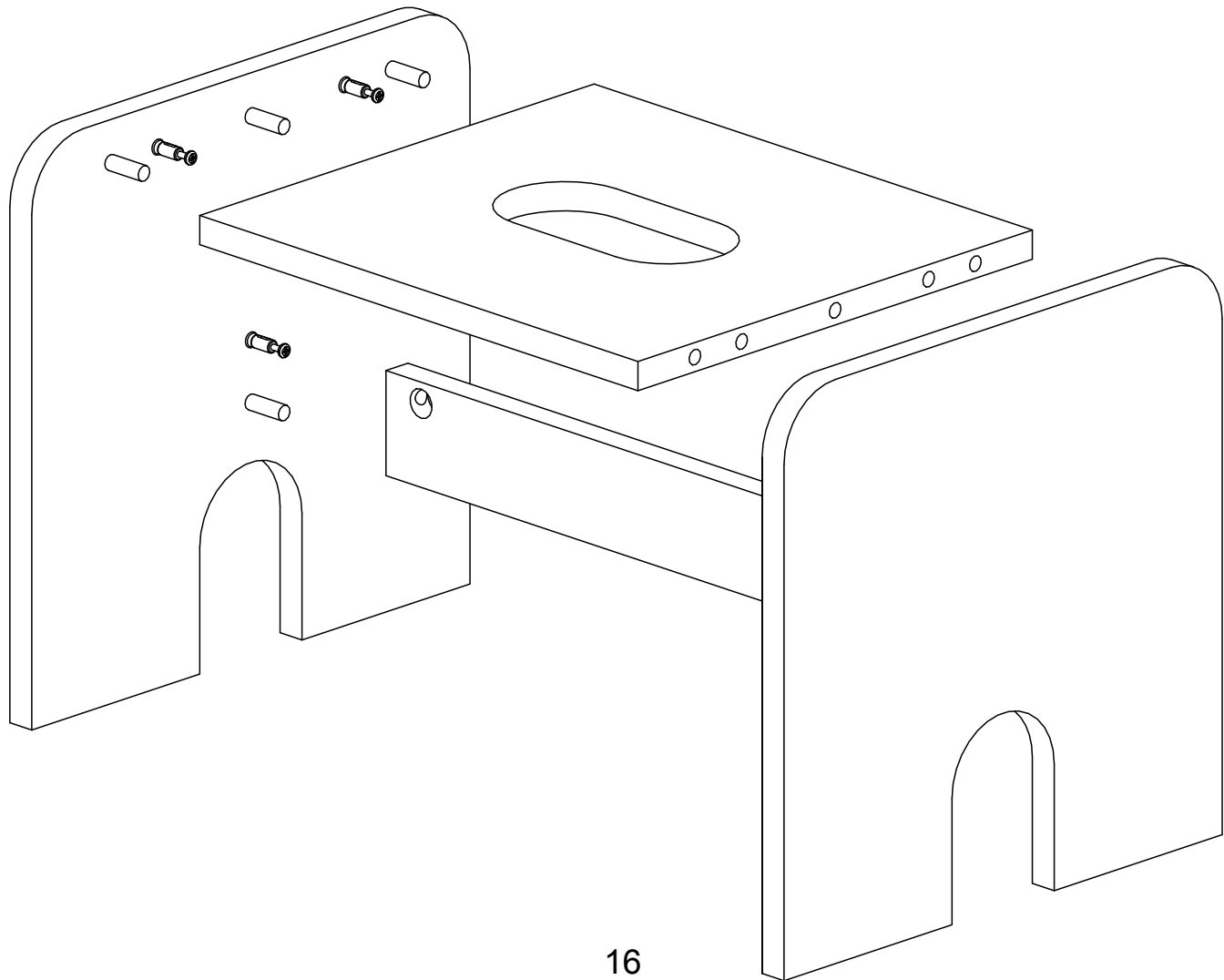
30x30x33





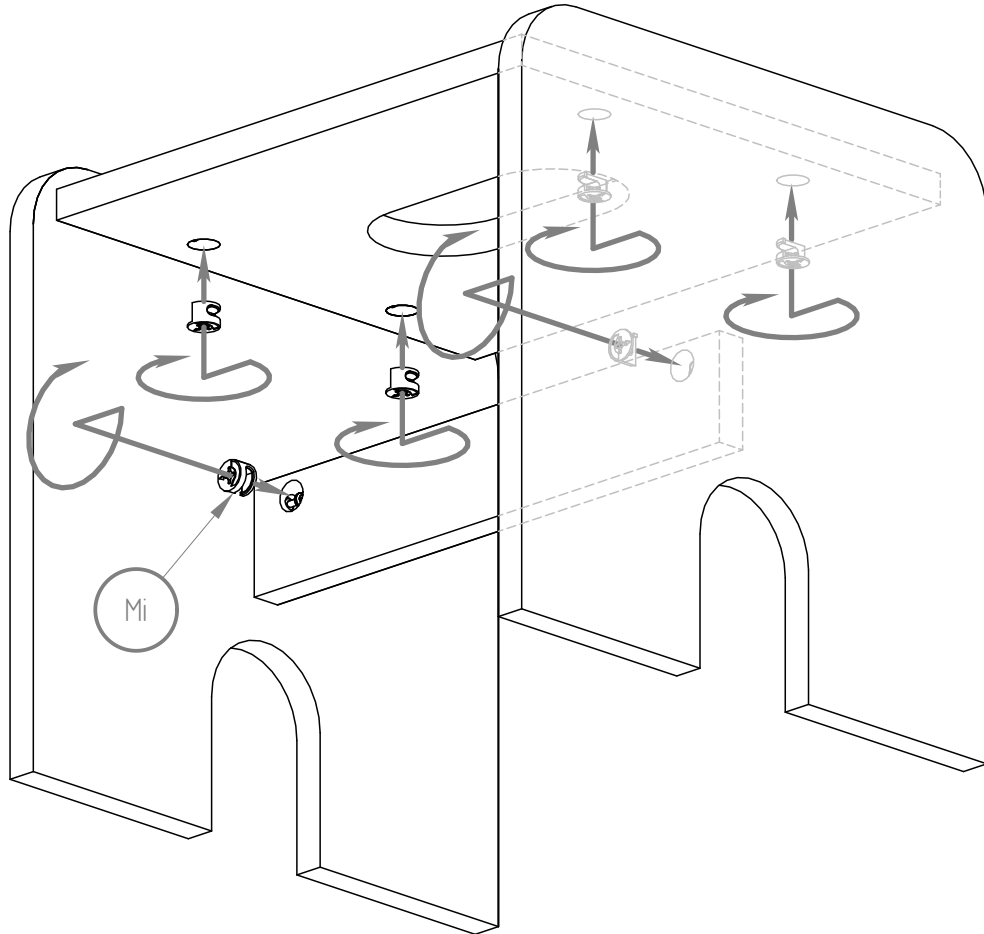
NG - x2
PD - x1
WS - x1







Mi



Woohoo!

High-fives all around for a job well done.

We hope your little one is over the moon with their new Petit Puk item. And why not show off all your hard work? Snap a pic and share it with us on Instagram (tag us @petitpuk) or shoot us an email at info@petitpuk.com. We love seeing our creations come to life in your wonderful homes!

Now, before your kid dives in headfirst, here are a few friendly reminders:

- Stick to mattresses between 8-14 cm thick for the perfect fit.
- Beds are for snoozing, not bouncing
- Keep it safe with just one child on the bunk bed.
- Please, no acrobatics - avoid hanging off any parts of the bed.
- Keep things tidy with a gentle wipe-down of wooden and plastic parts using a dry cloth and mild cleaner.

Warranty

We've got your back with a 2-year warranty on bed parts under normal use. If you ever need a hand or have any questions, don't hesitate to reach out to Team Petit Puk. Just send us a message with your name and order number, along with images of the situation.