

# Assembly Manual **PETIT PUK** for **JARDIN MEZZANINE**



## **Congratulations with your PETIT PUK BED!**

Now it's assembly time. Please make sure to check these elements prior to starting:

- ♥ is everything complete?
- ♥ are all pieces in good shape?
- ♥ good spirits and perhaps a partner in crime in your presence?
- ♥ ready to take a photo of your great work afterwards, to share it with us?
- ♥ ticked all boxes with yes? Ready, steady, gooo!

## **PS. A tip**

You will find small green glue tubes with EU standards. Just slide a small amount of glue into the holes to receive the wood dowels. Glue is only necessary at the level of beveled wood stud assemblies for perfect stability. It is not necessary to put glue on the bed base which would prevent you from dismantling the bed afterwards.

**PETIT  
♥ PUK ♥**

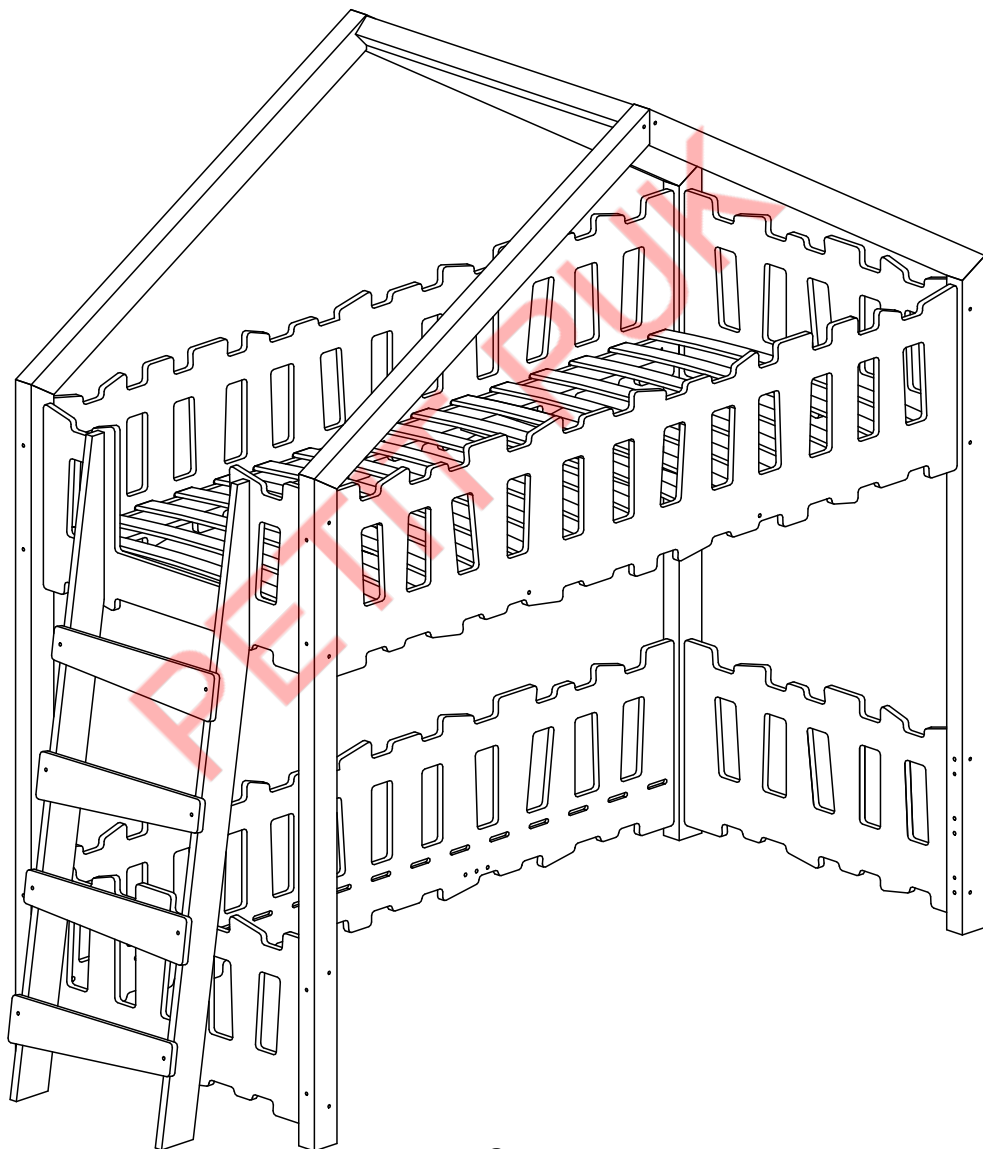
[www.petitpuk.com](http://www.petitpuk.com)   f   [petitpuk](#)      [petitpuk](#)

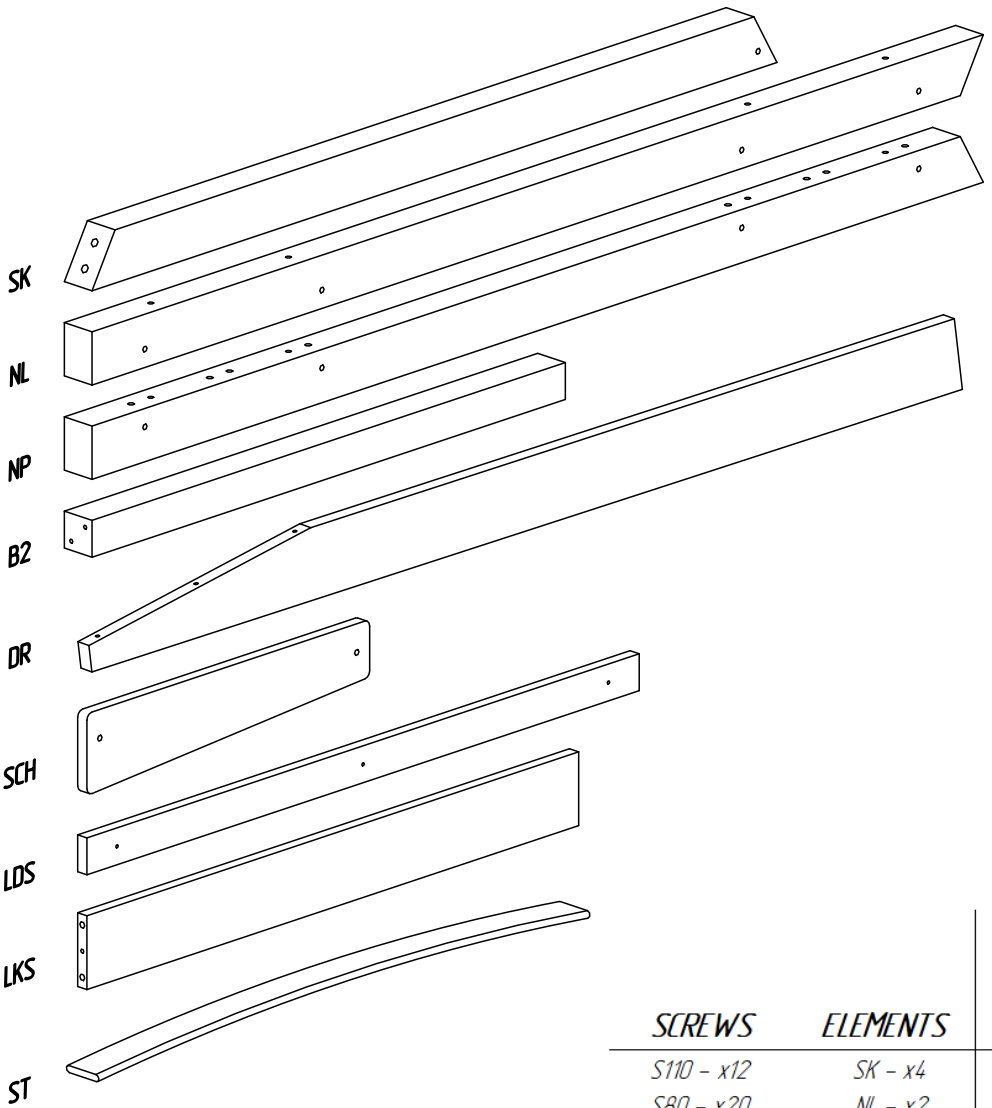
# JARDIN STAIRS SHORT SIDE

*70x140 70x150 70x160 70x170 70x180 70x190 70x200*

*80x140 80x150 80x160 80x170 80x180 80x190 80x200*

*90x140 90x150 90x160 90x170 90x180 90x190 90x200*





### SCREWS

*S110 - x12*

*S80 - x20*

*S50 - x6*

*S40 - x16*

*W25 - x12*

*K8 - x64*

*K10 - x12*

### ELEMENTS

*SK - x4*

*NL - x2*

*NP - x2*

*B2 - x1*

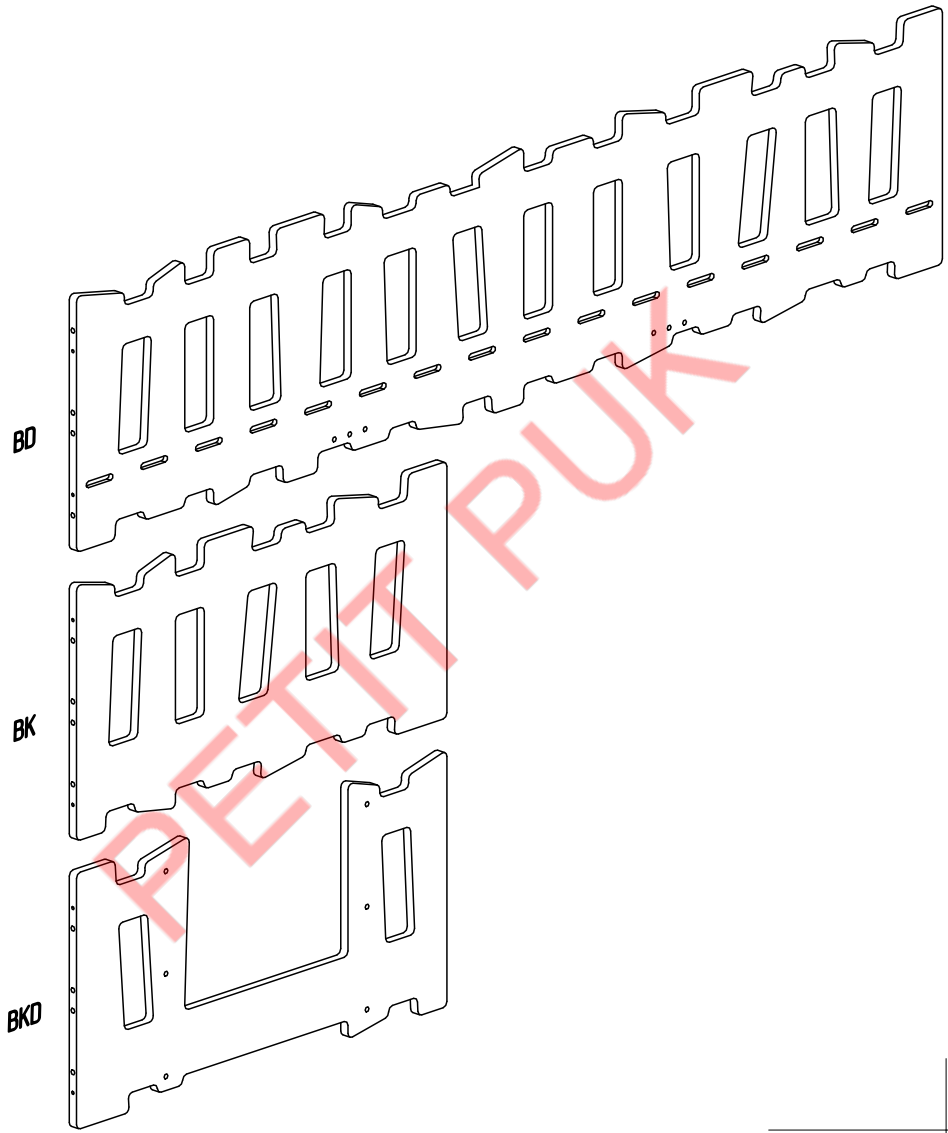
*DR - x2*

*SCH - x4*

*LDS - x4*

*LKS - x2*

*ST - x12-16*



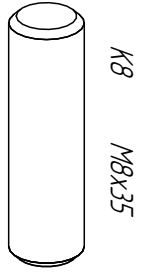
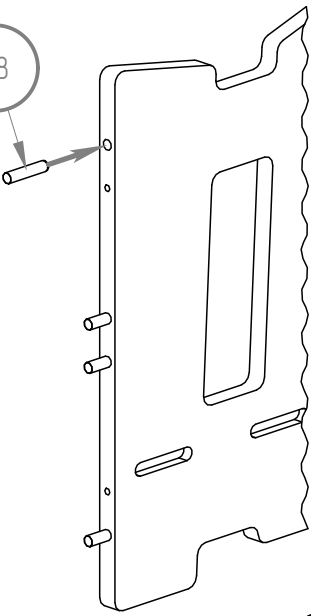
BD

BK

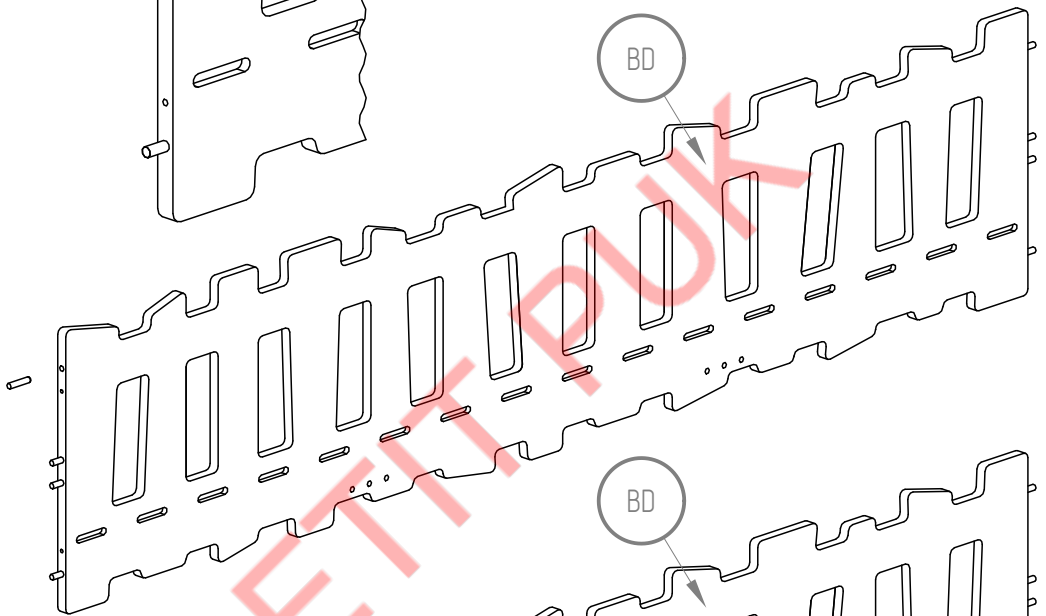
BKd

- 
- BD - x3
  - BK - x3
  - BKd - x1

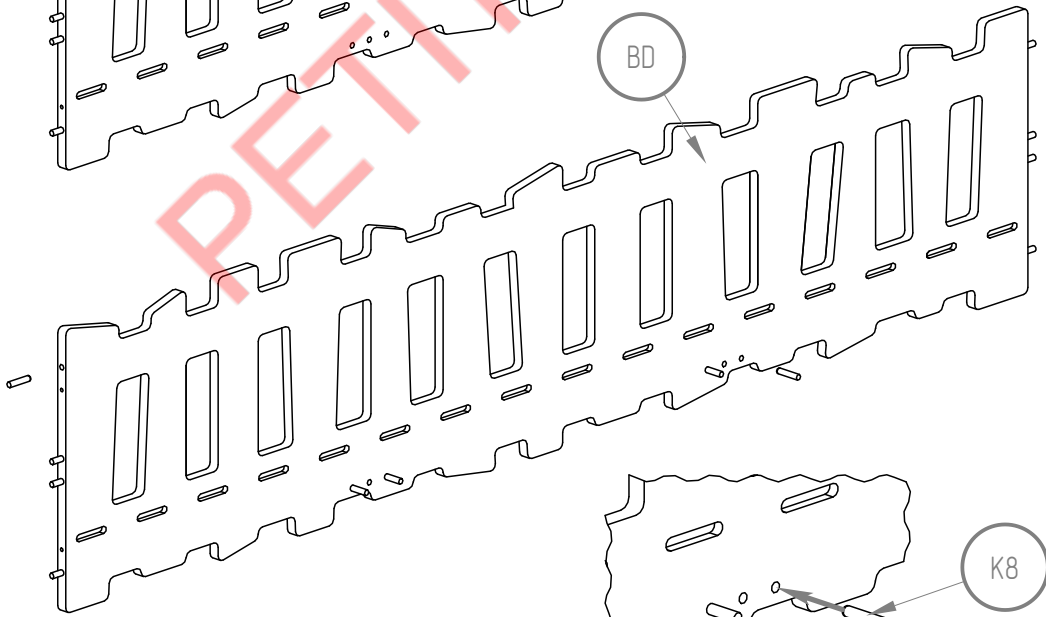
K8



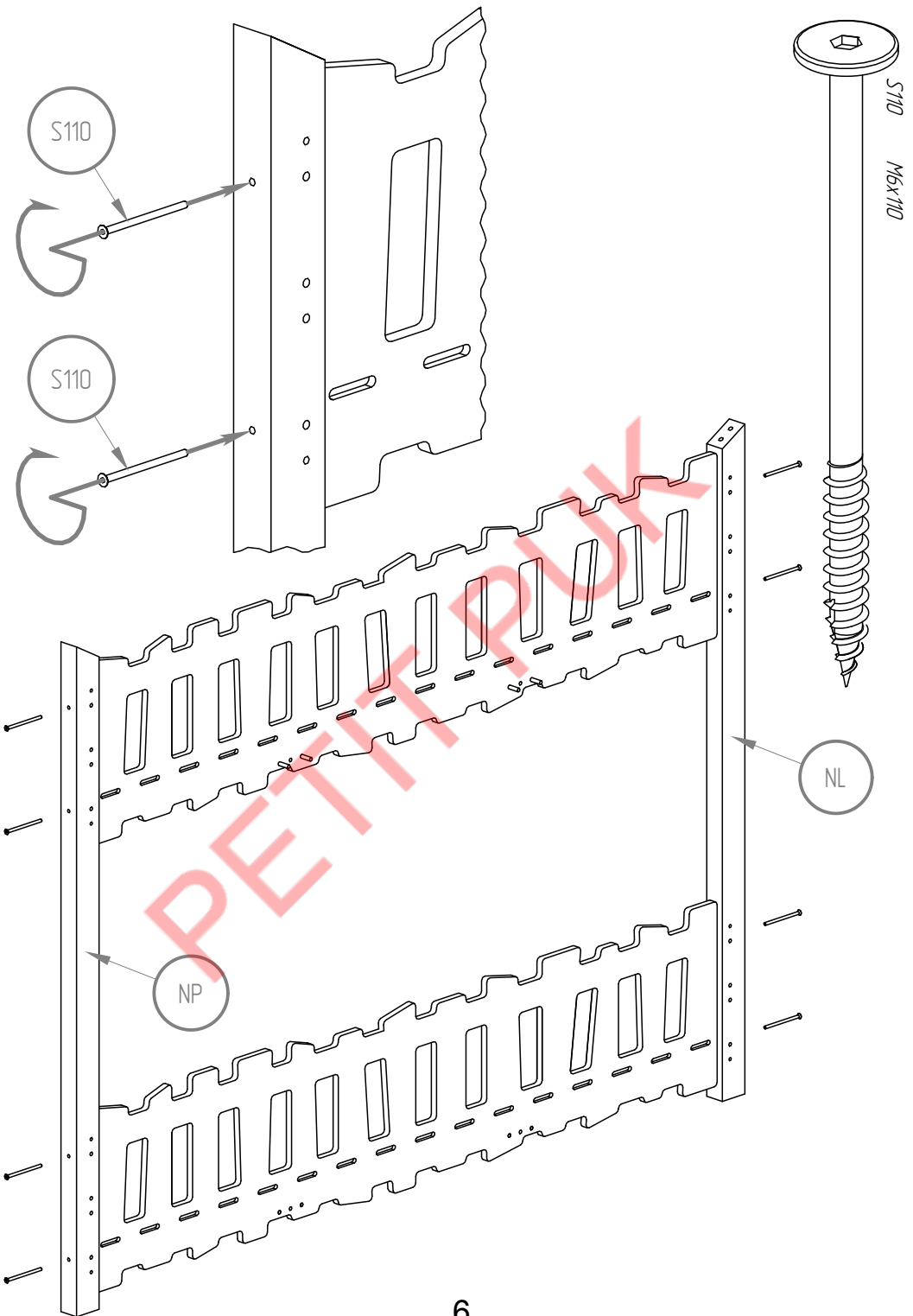
BD

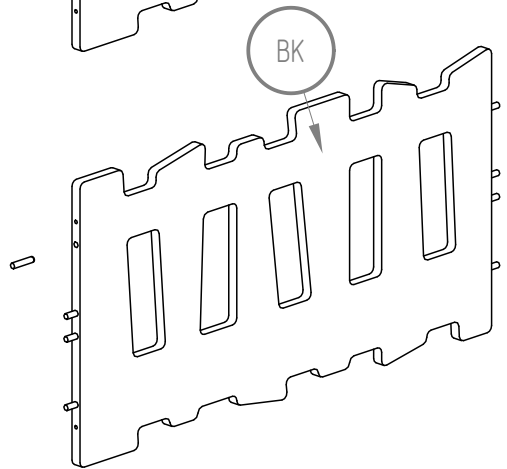
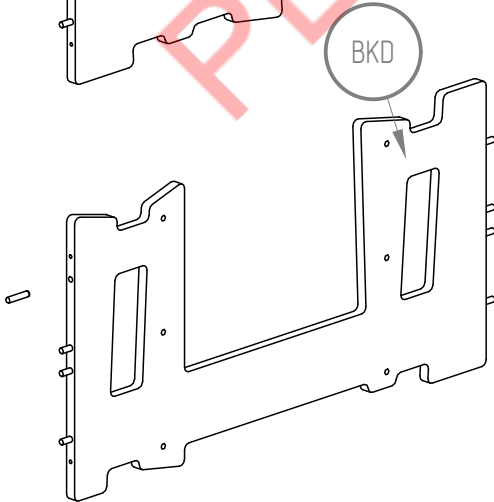
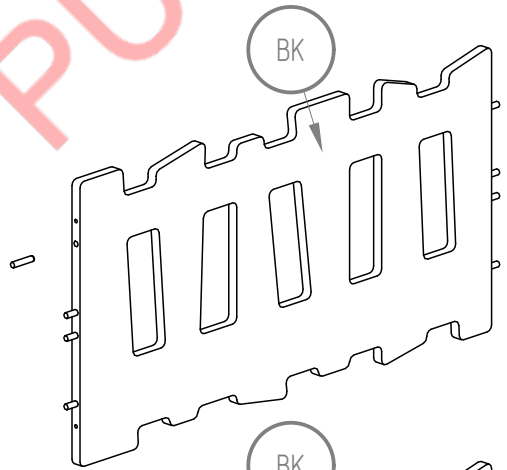
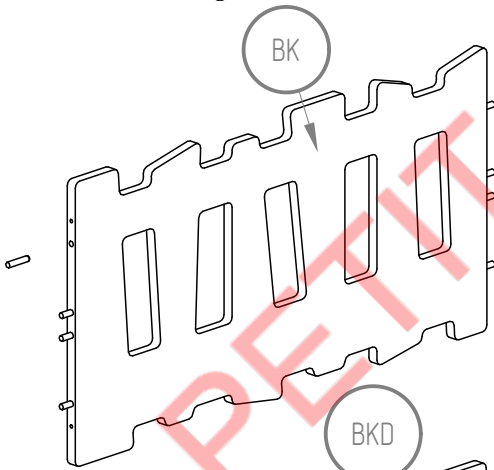
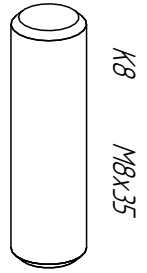
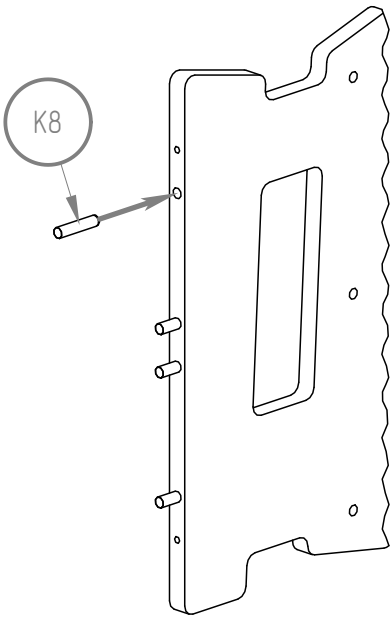


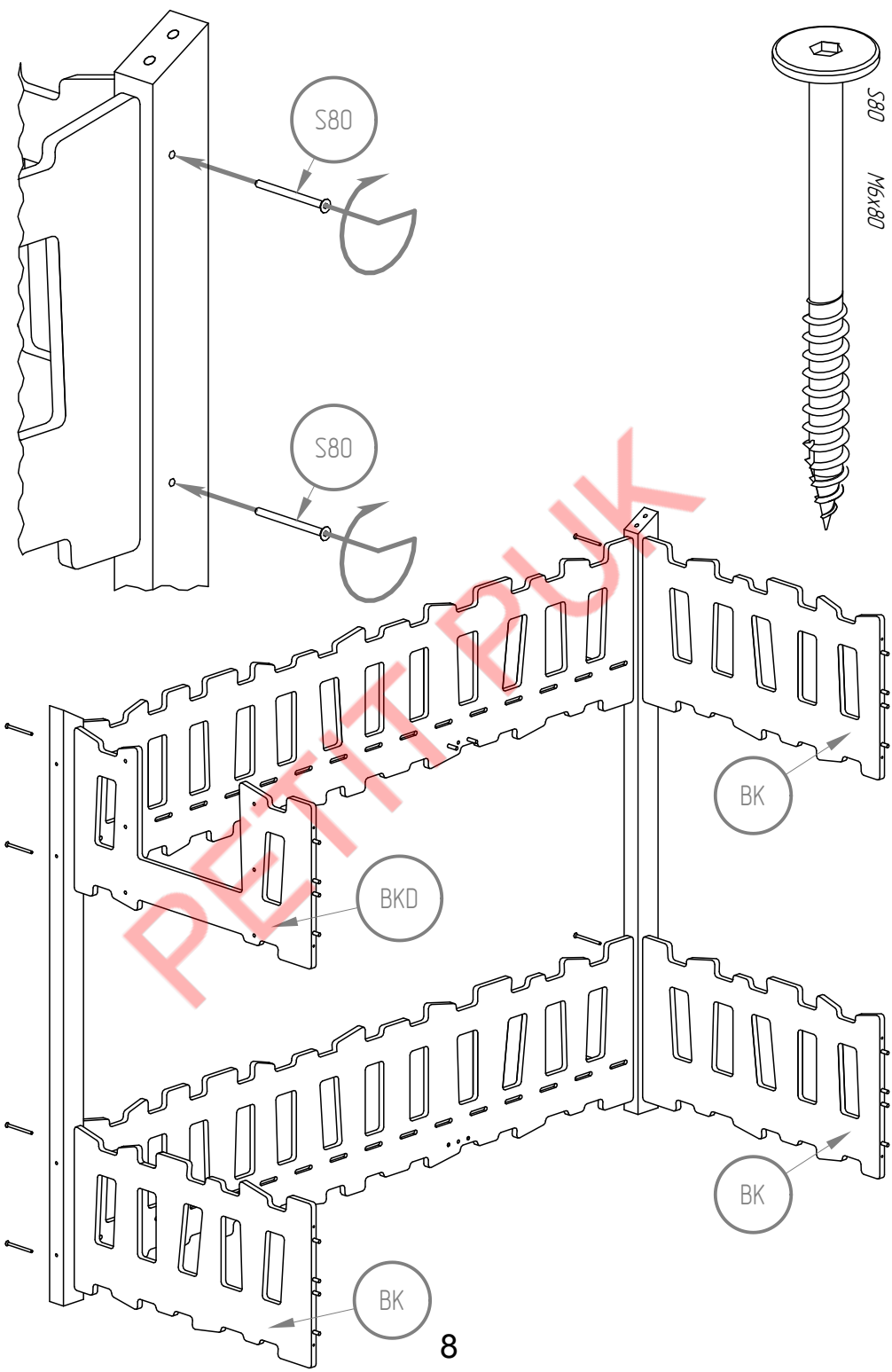
BD



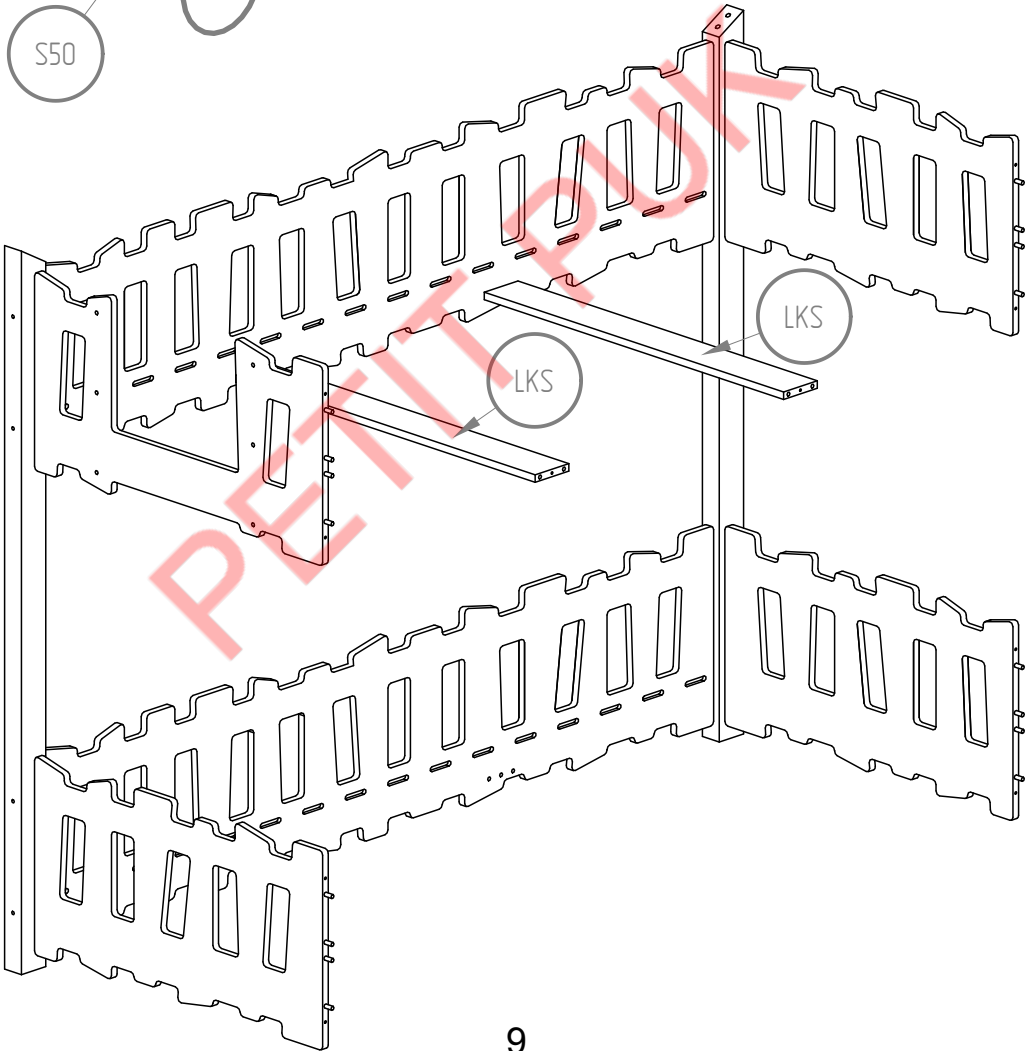
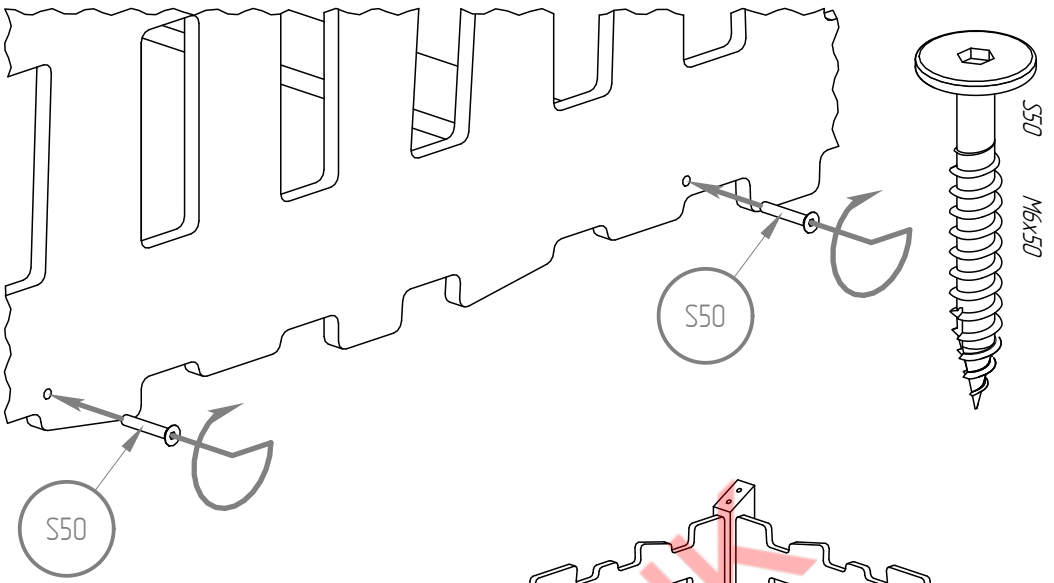
K8

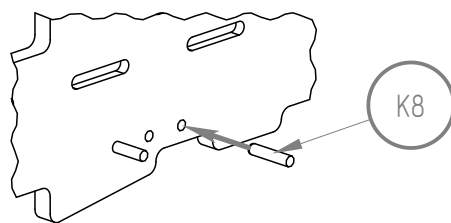
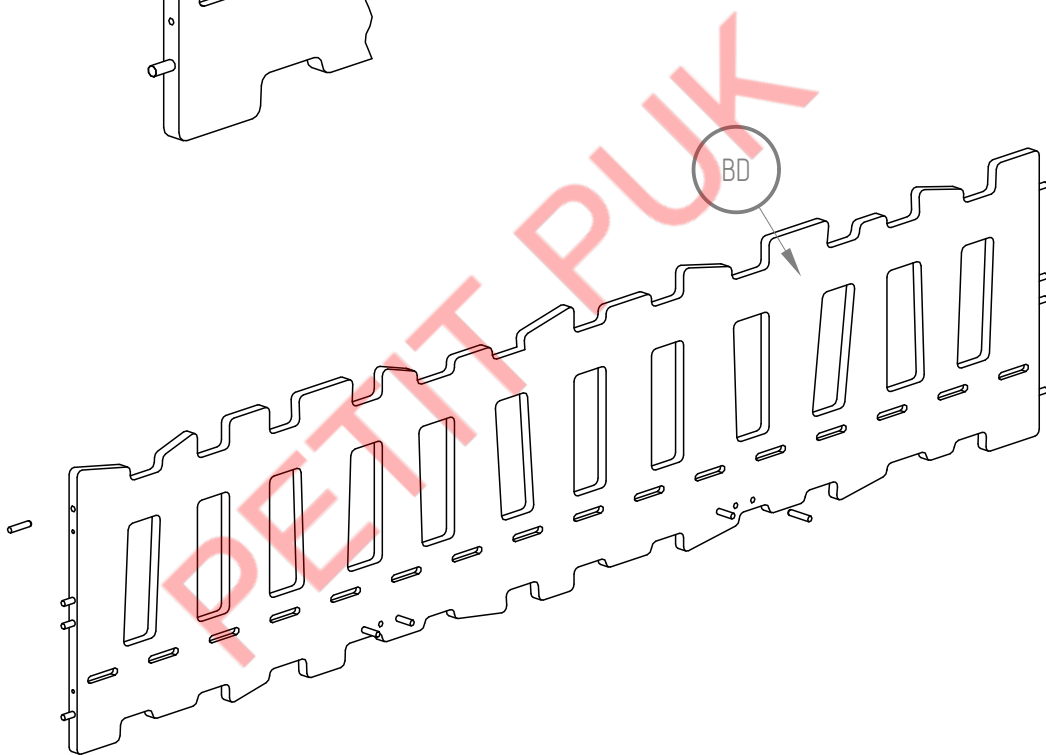
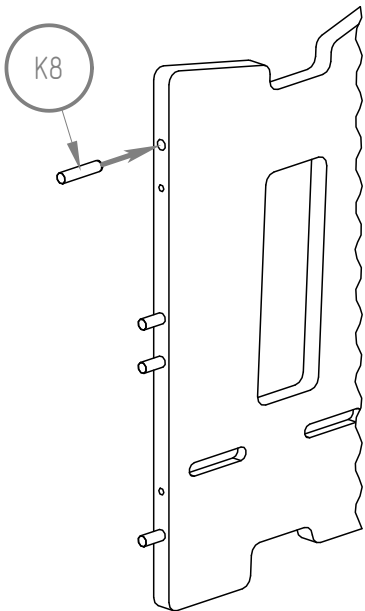


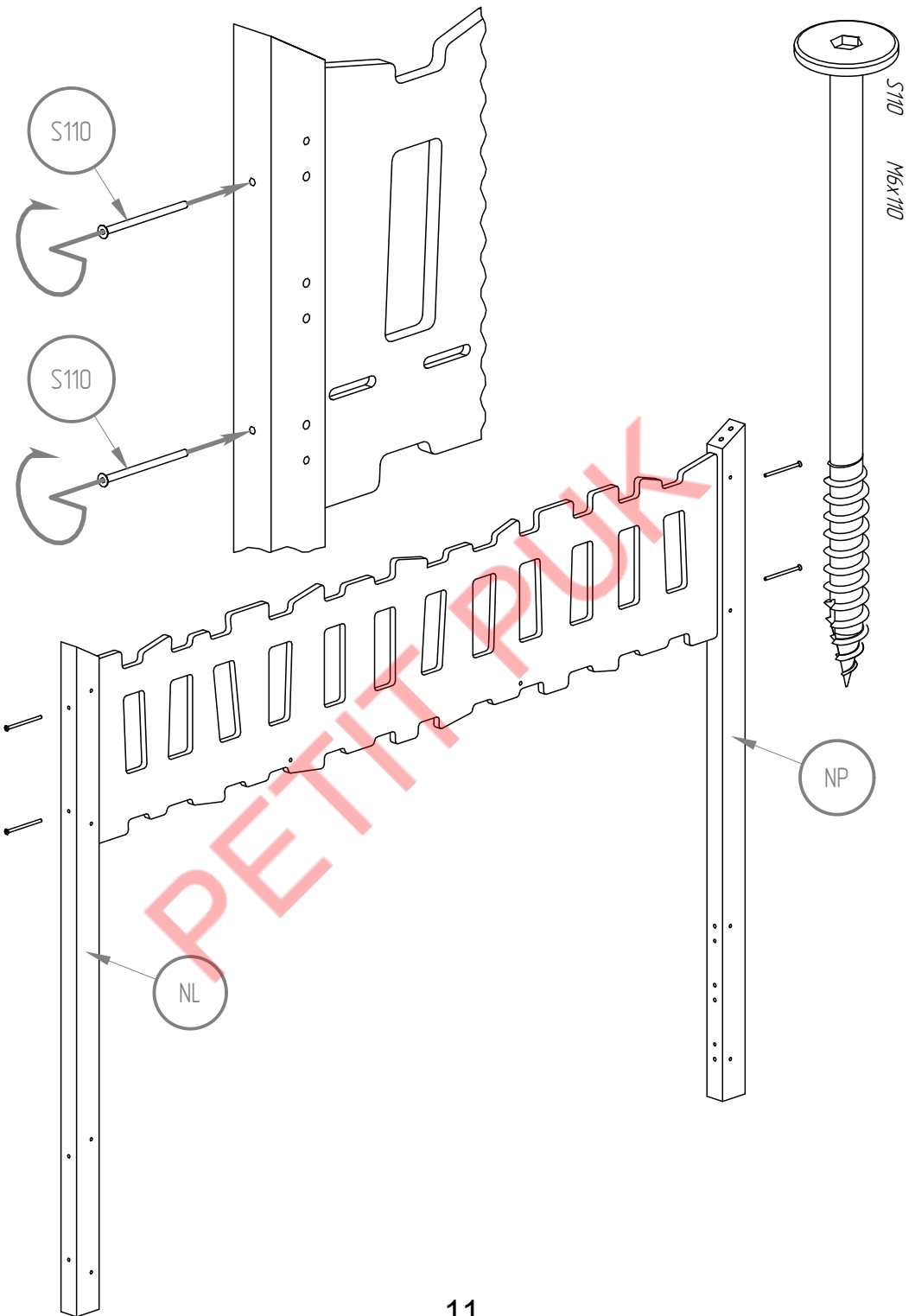


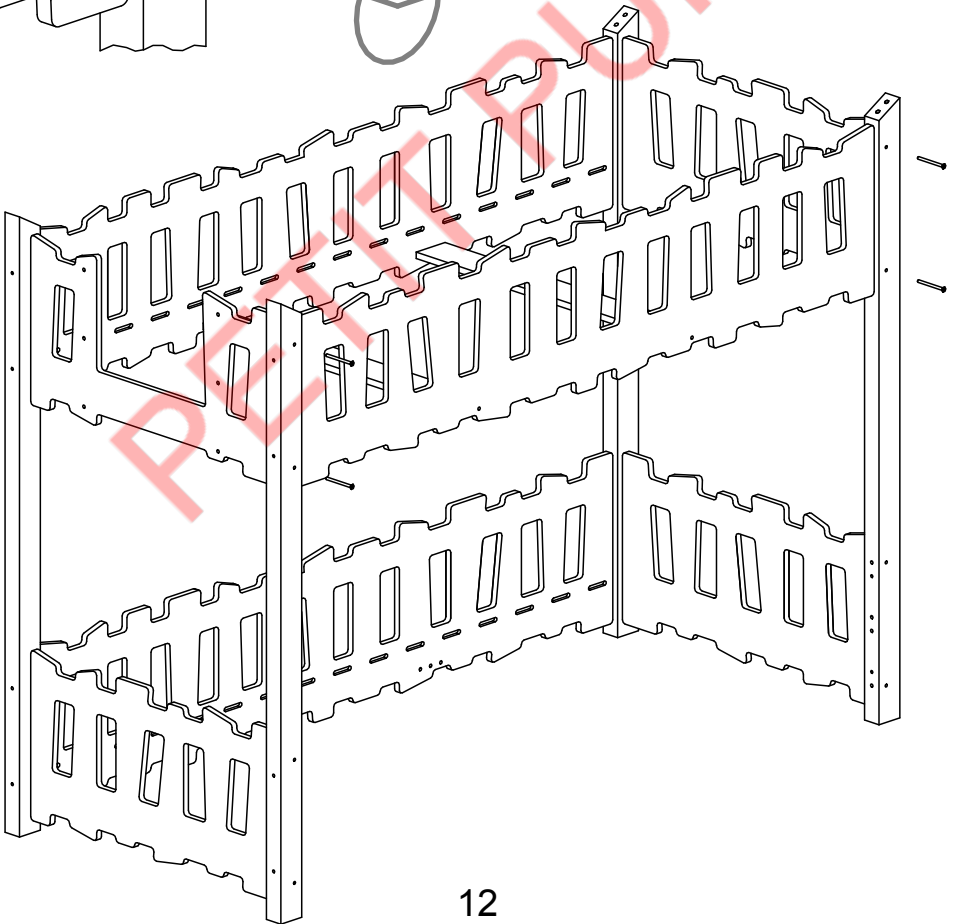
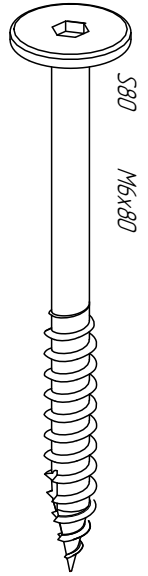
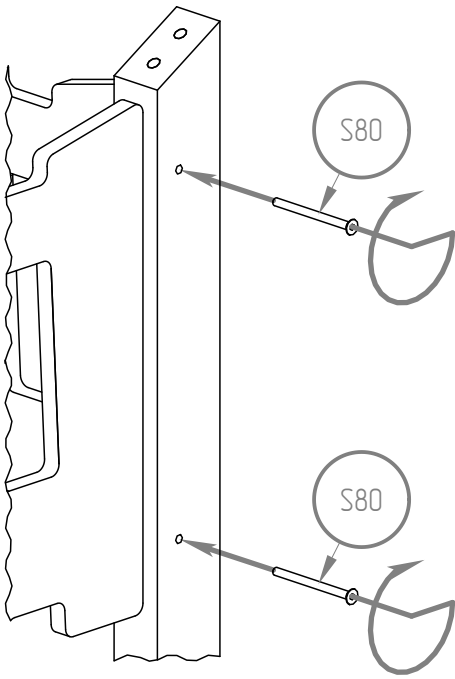


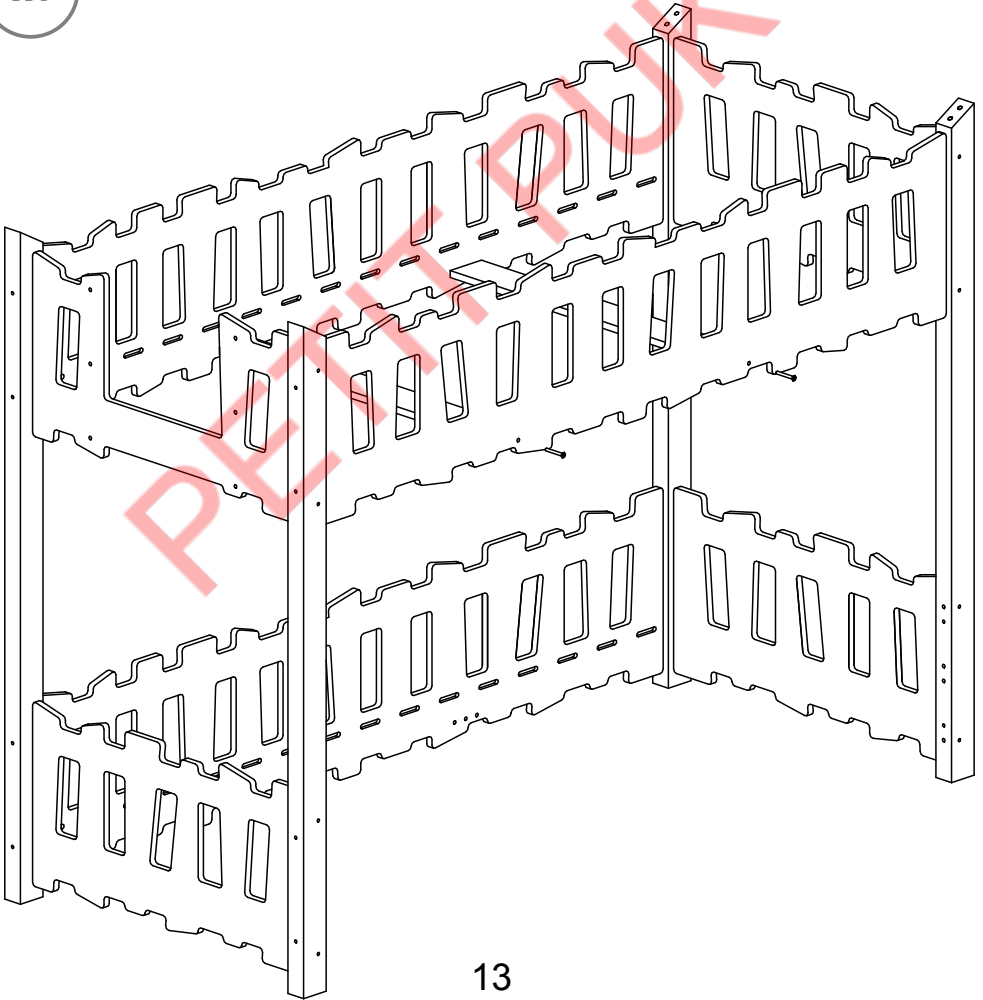
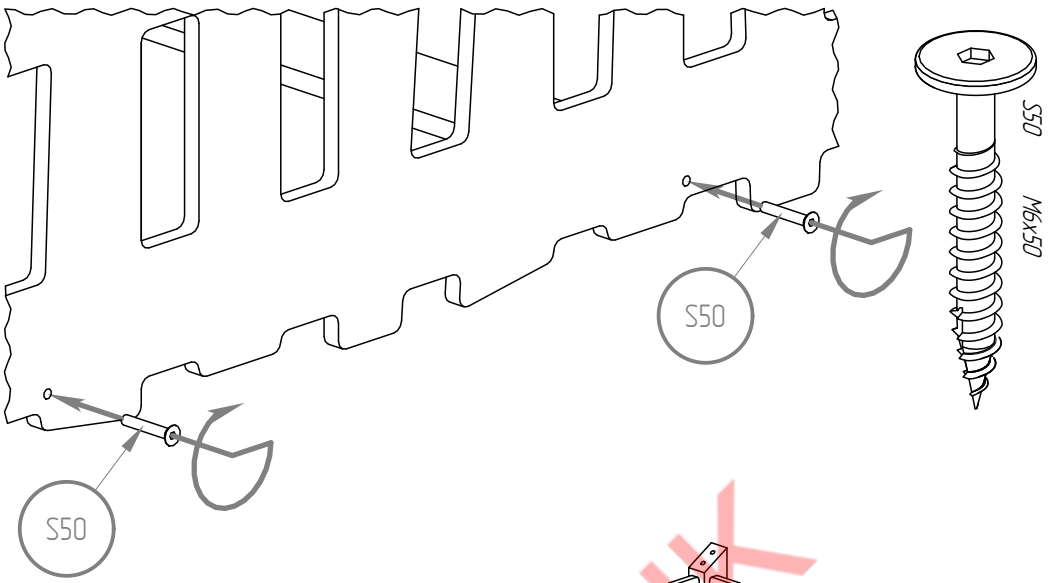


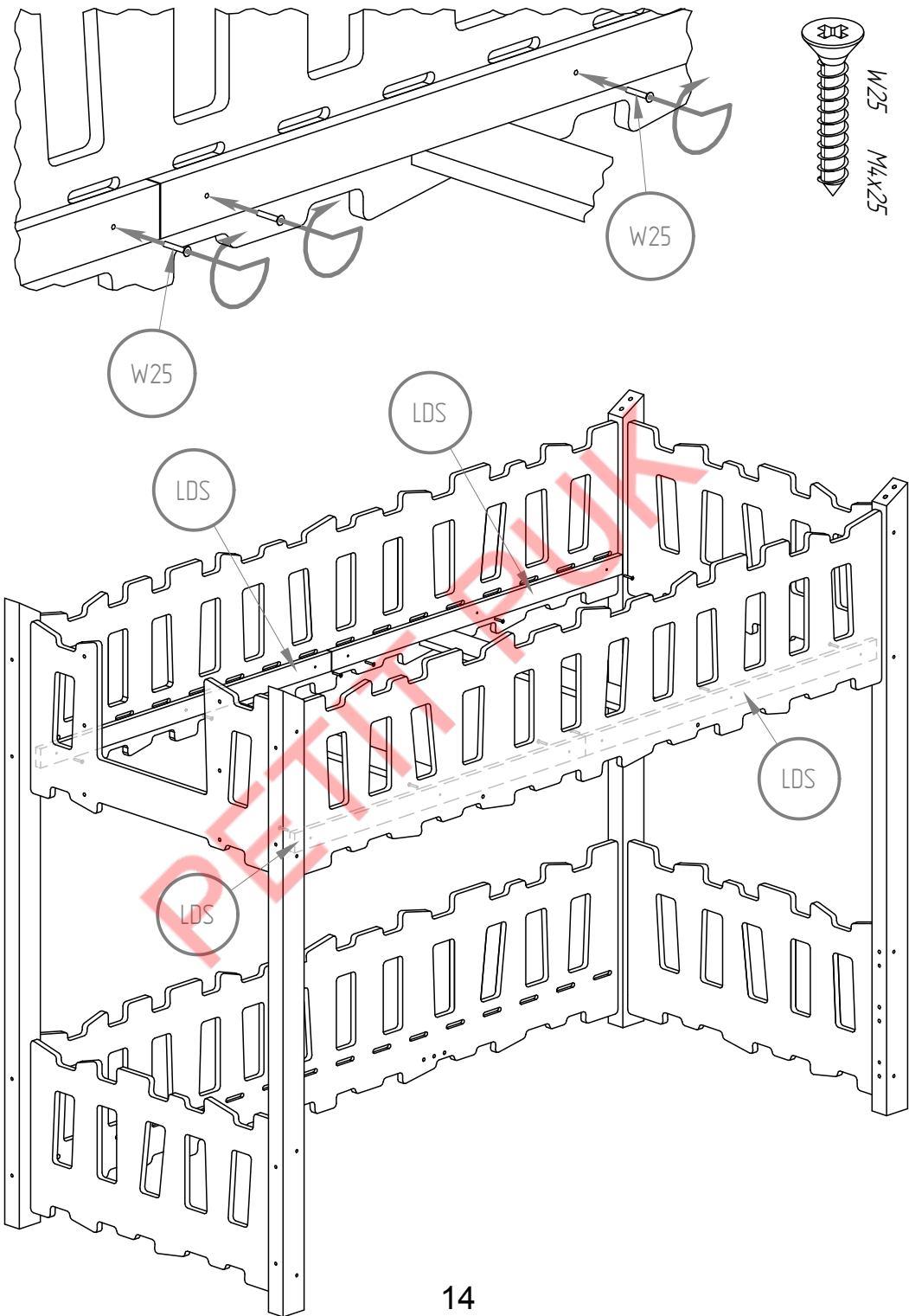


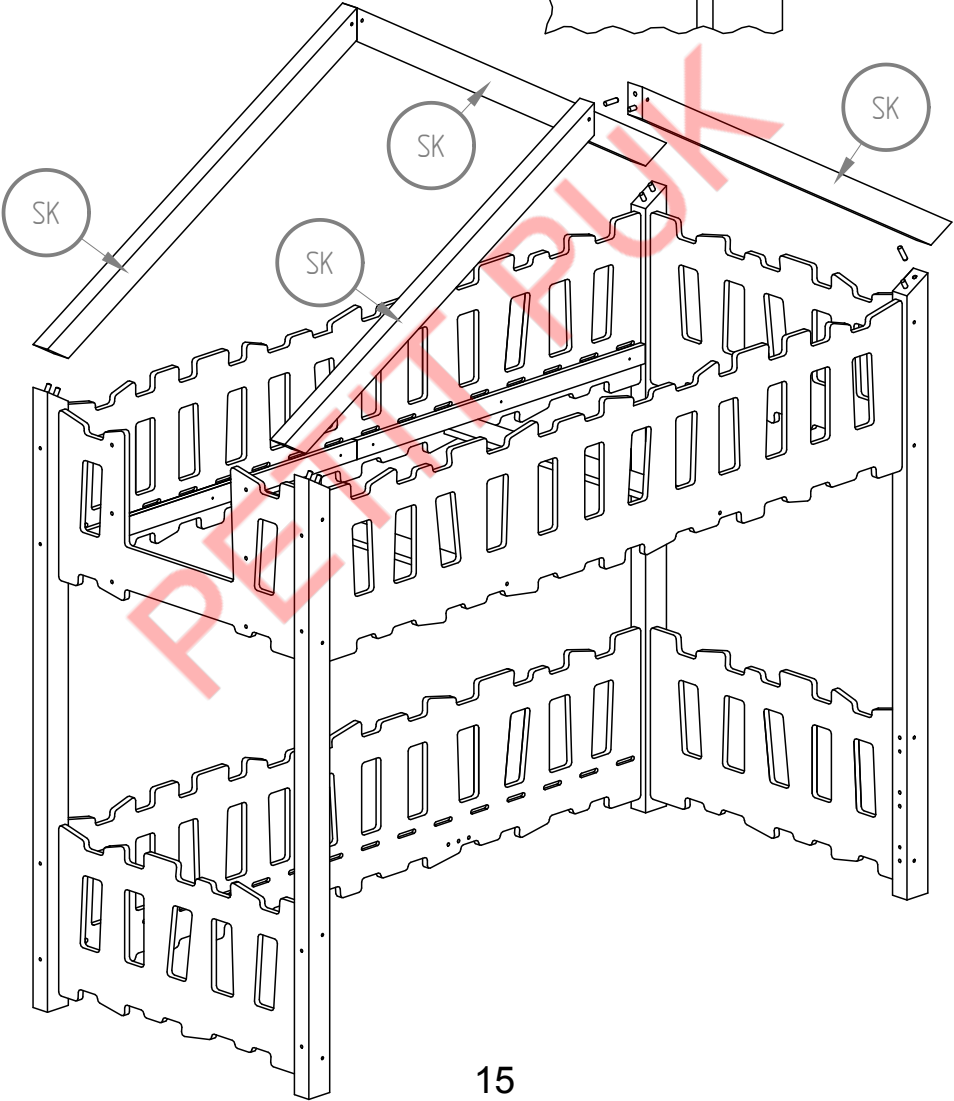
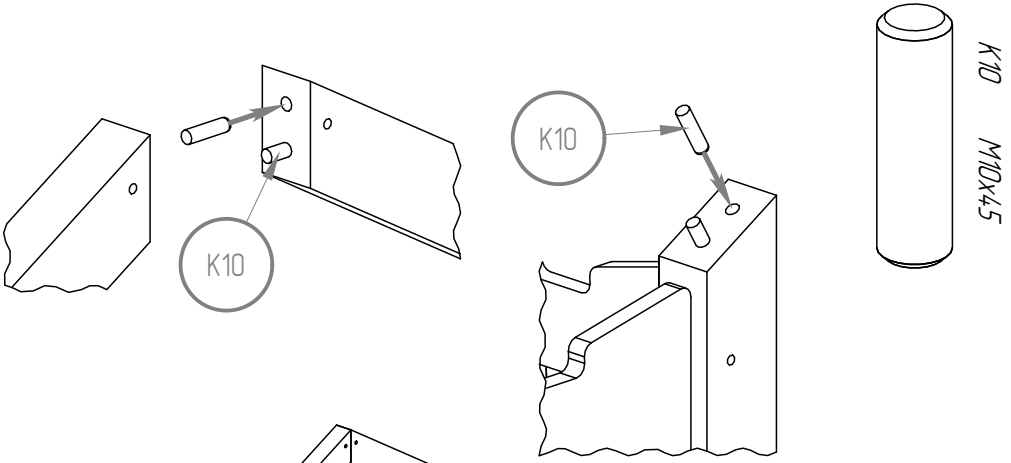


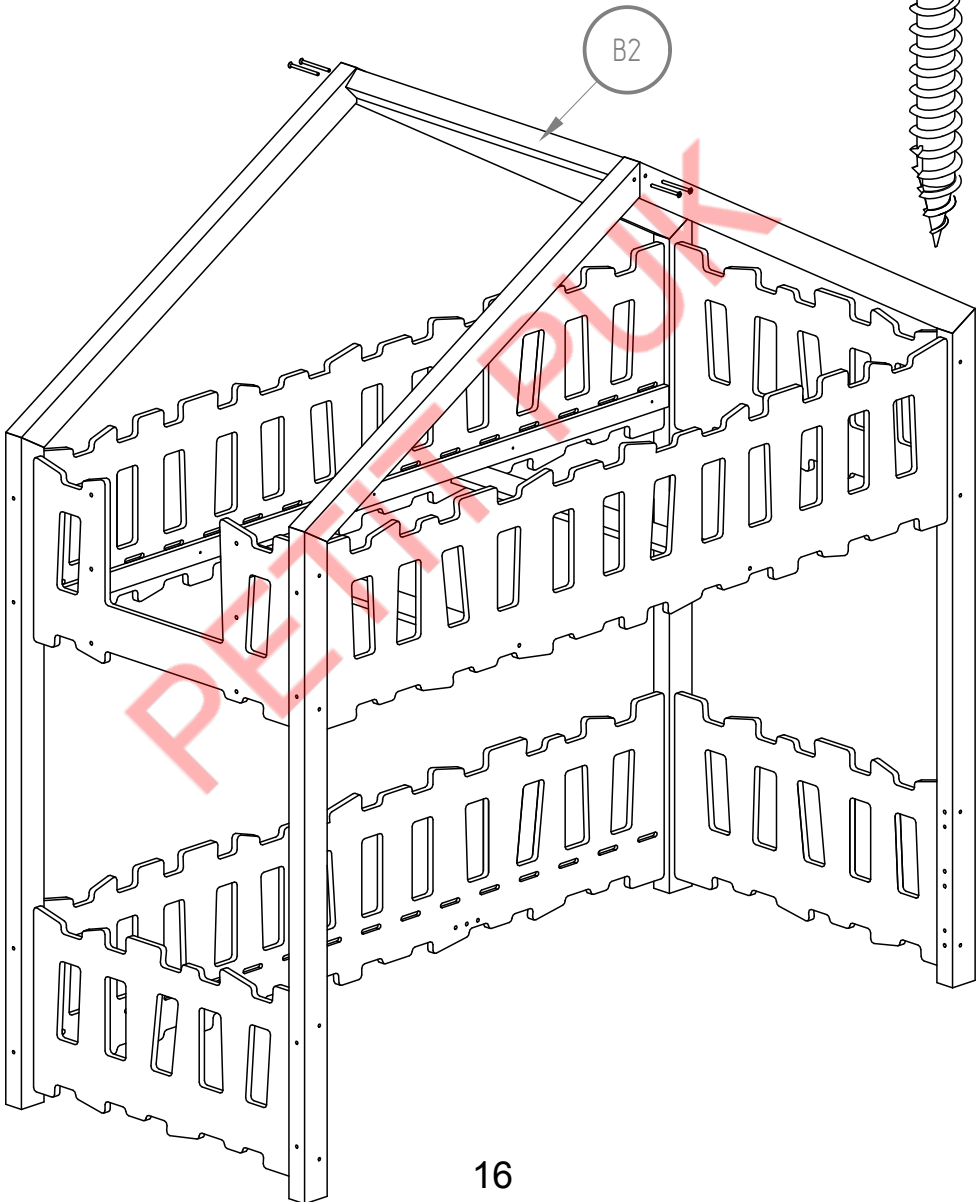
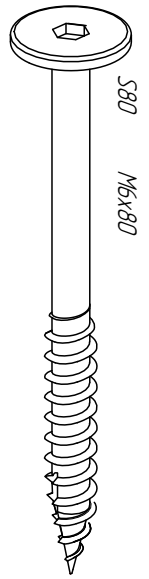
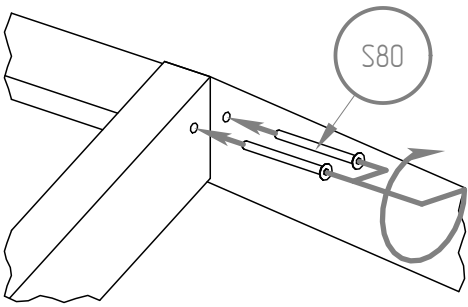




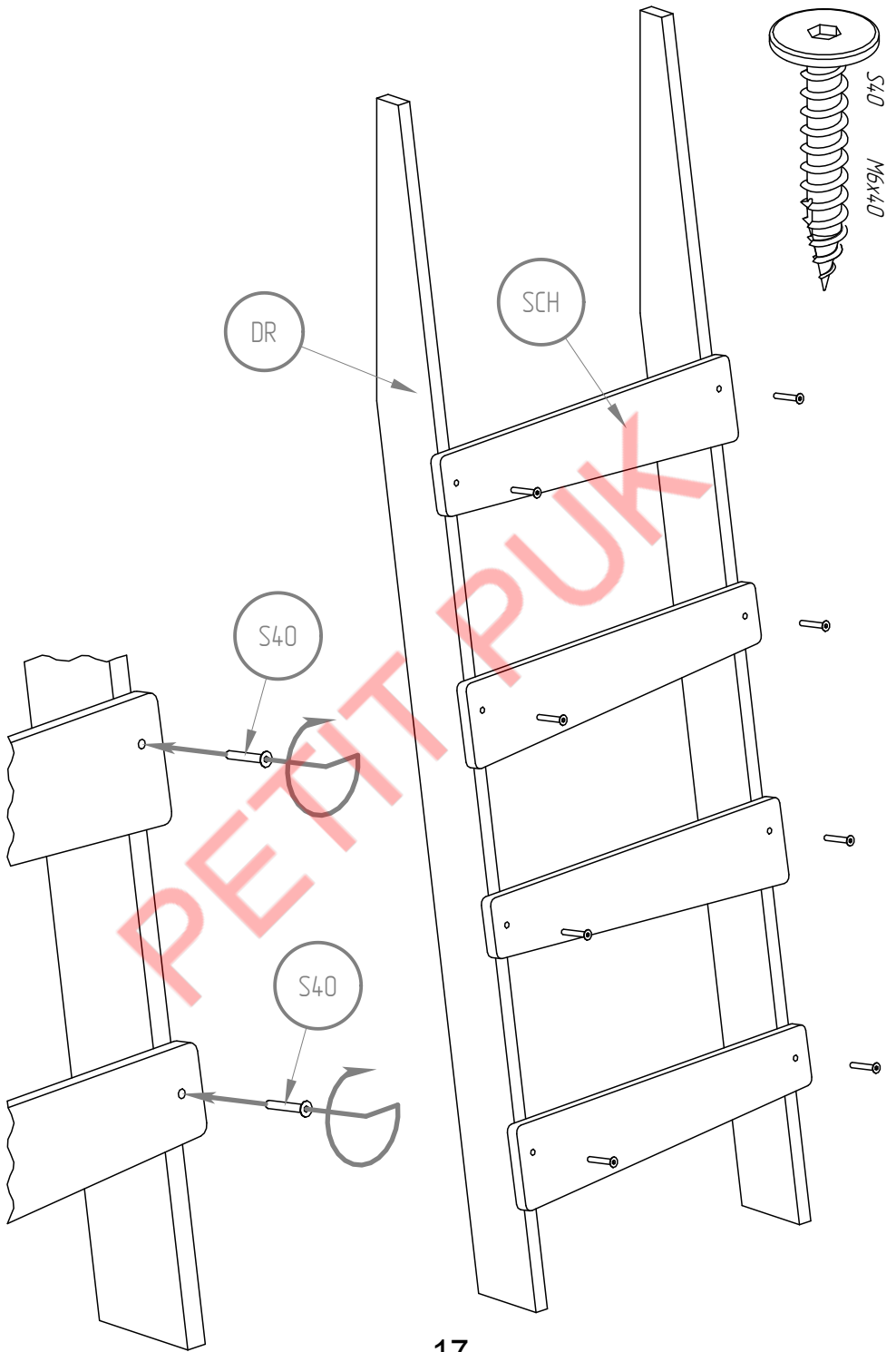


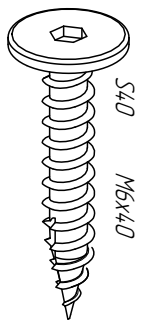
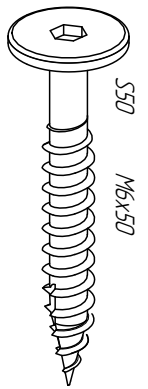
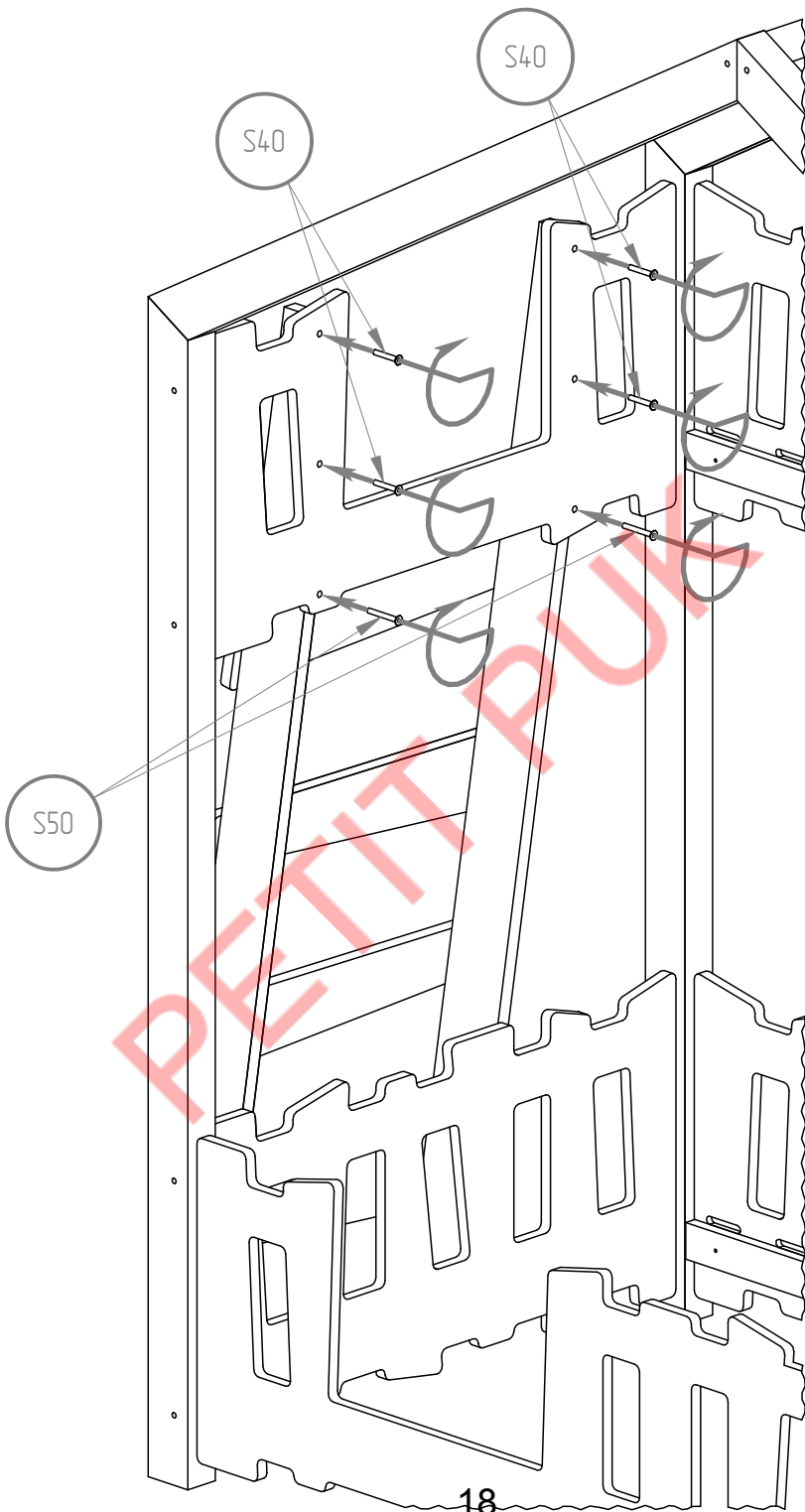


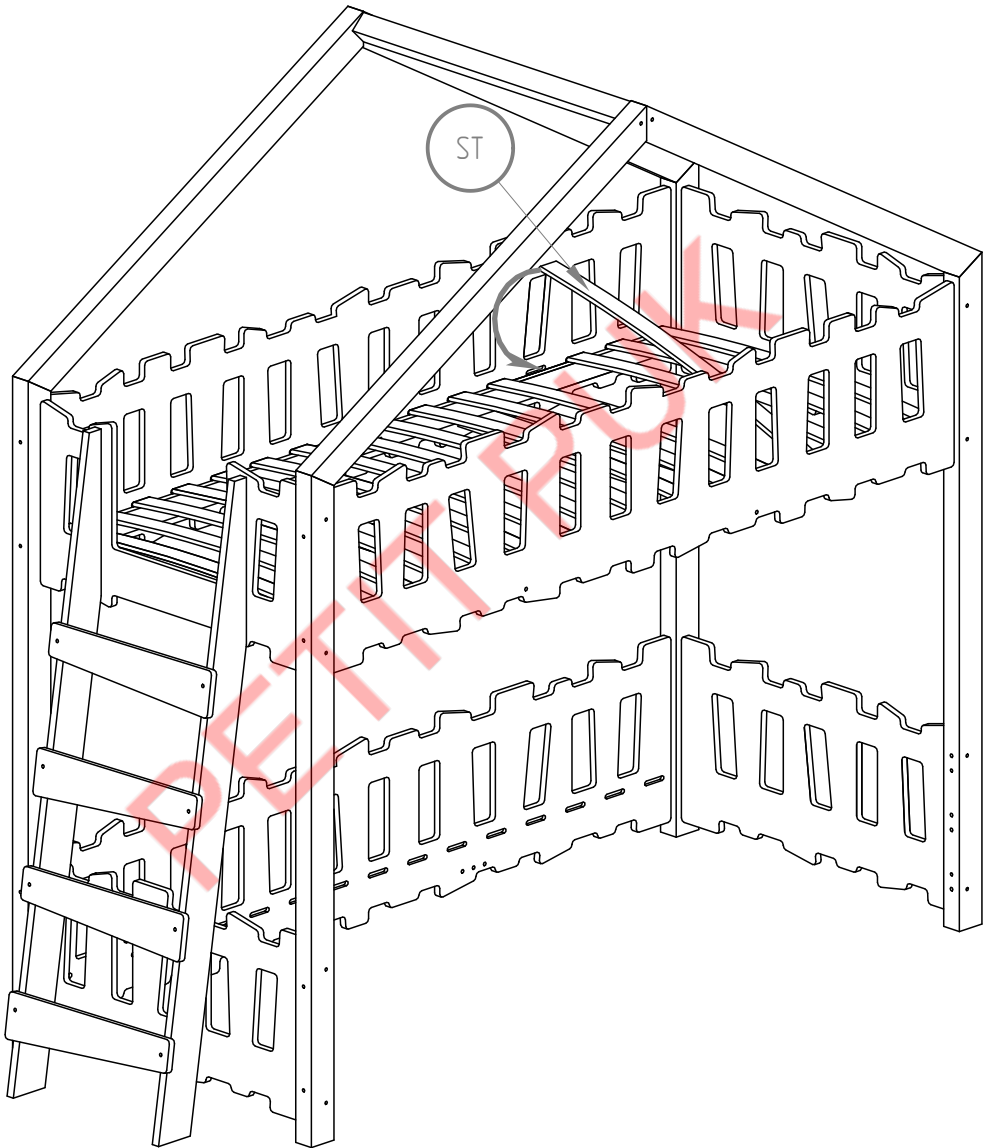






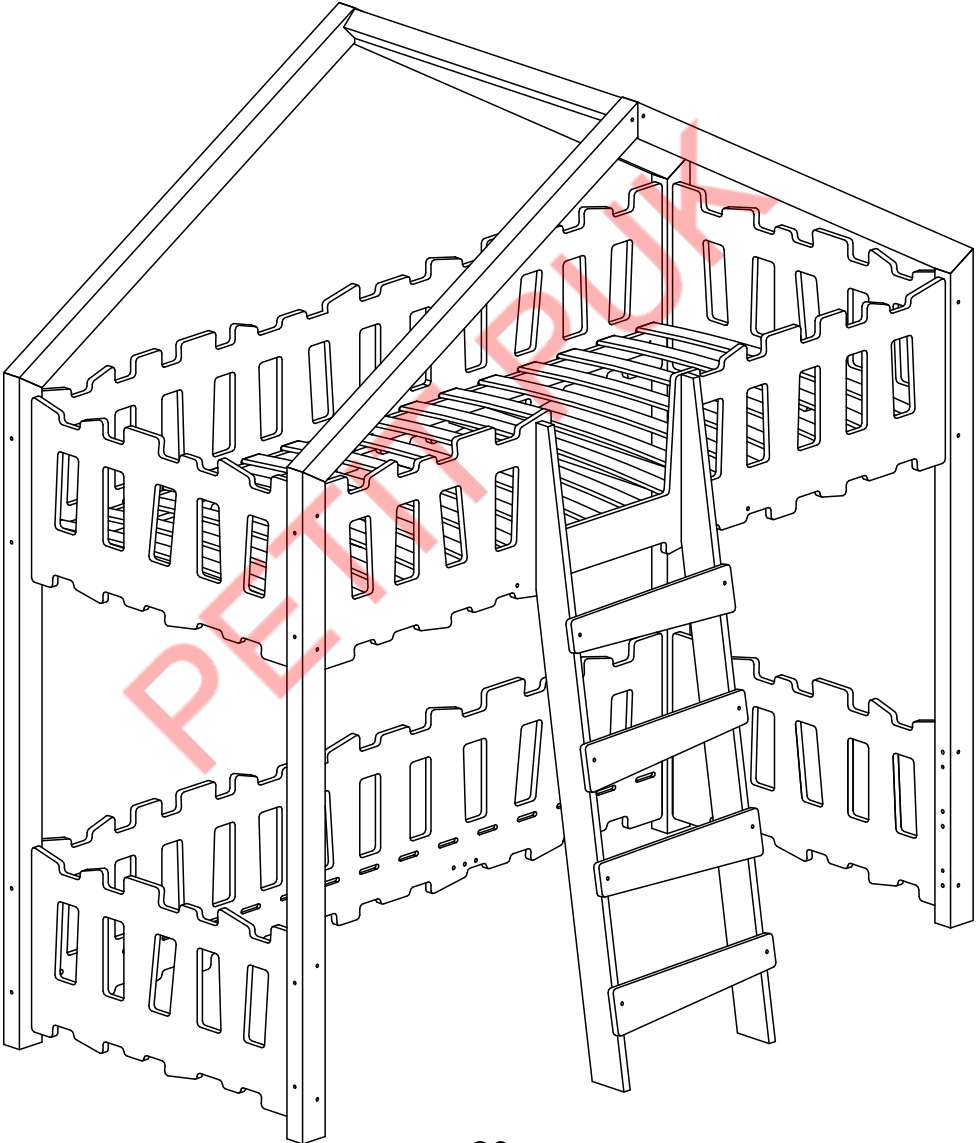


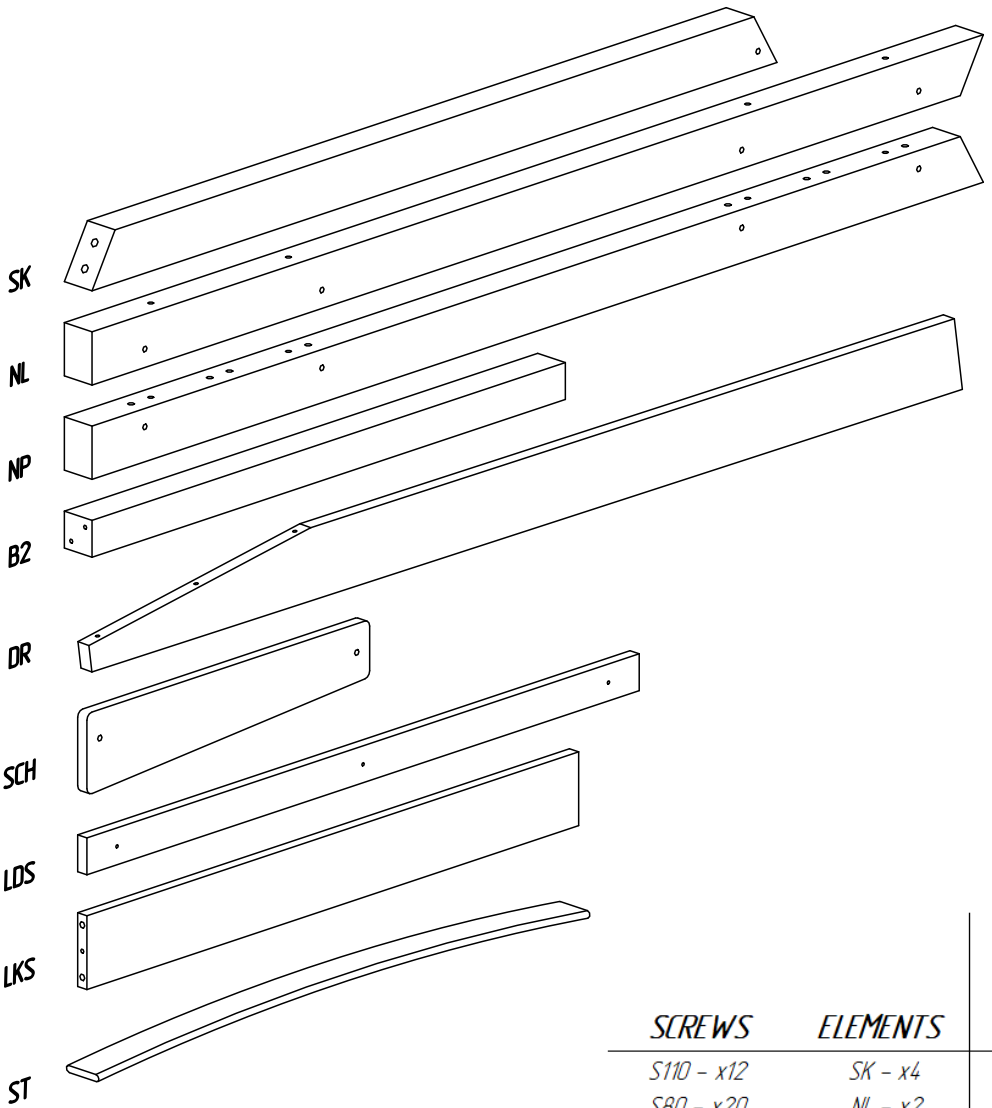




# JARDIN STAIRS MIDDLE

*70x140 70x150 70x160 70x170 70x180 70x190 70x200*  
*80x140 80x150 80x160 80x170 80x180 80x190 80x200*  
*90x140 90x150 90x160 90x170 90x180 90x190 90x200*





**SCREWS**

**ELEMENTS**

*S110 - x12*

*SK - x4*

*S80 - x20*

*NL - x2*

*S50 - x6*

*NP - x2*

*S40 - x16*

*B2 - x1*

*W25 - x12*

*DR - x2*

*KB - x64*

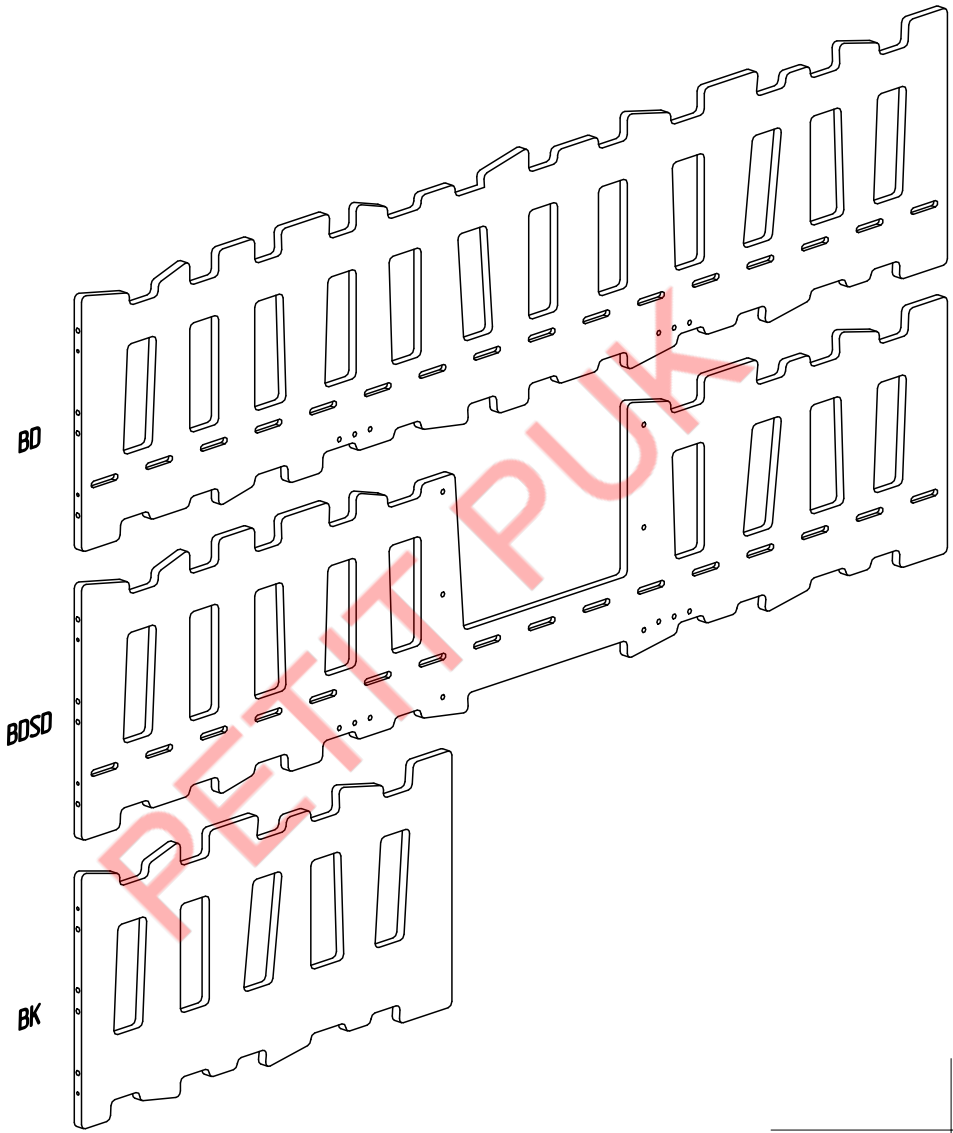
*SCH - x4*

*K10 - x12*

*LDS - x4*

*LKS - x2*

*ST - x12-16*

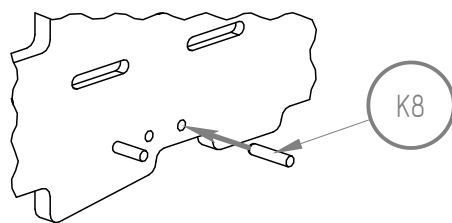
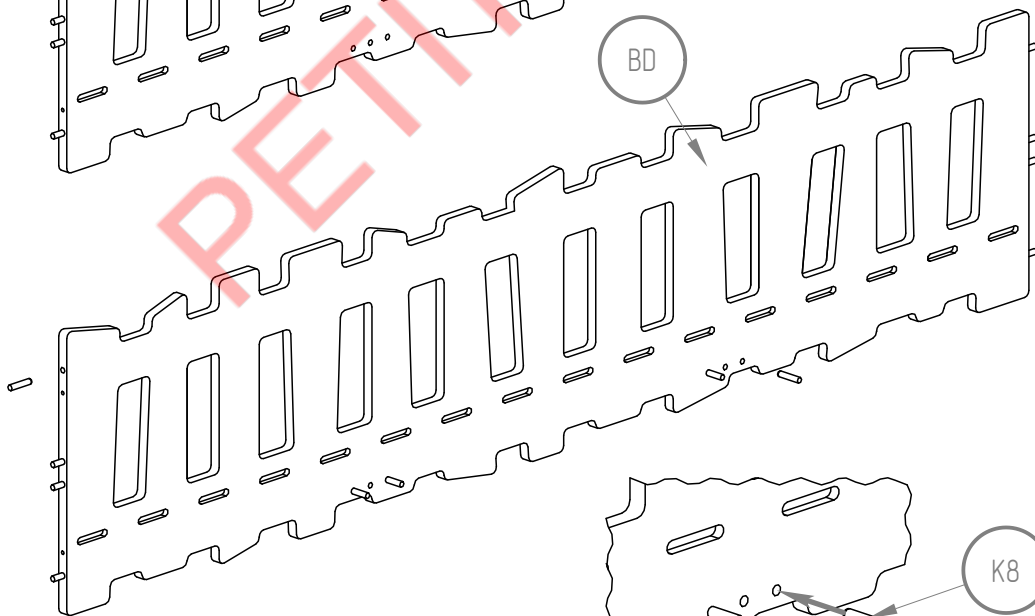
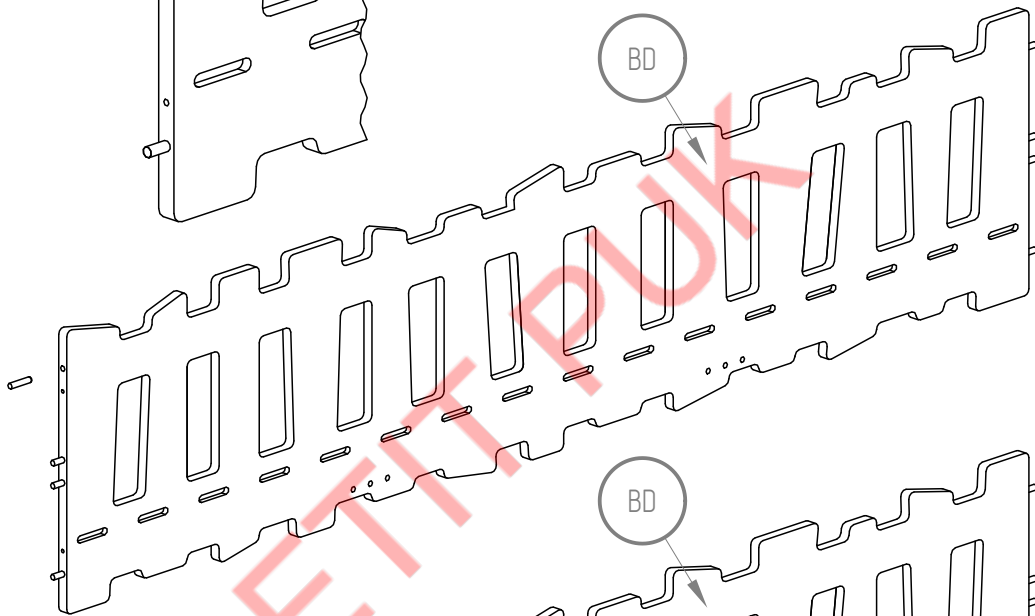
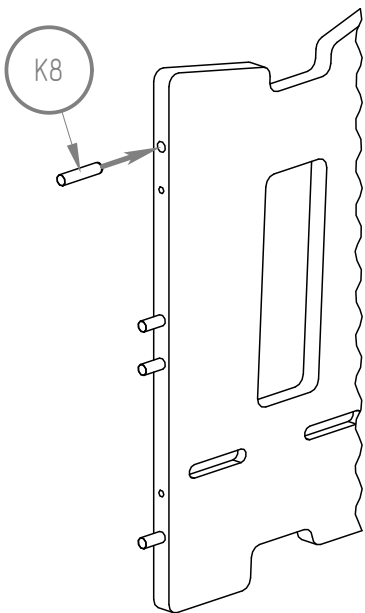


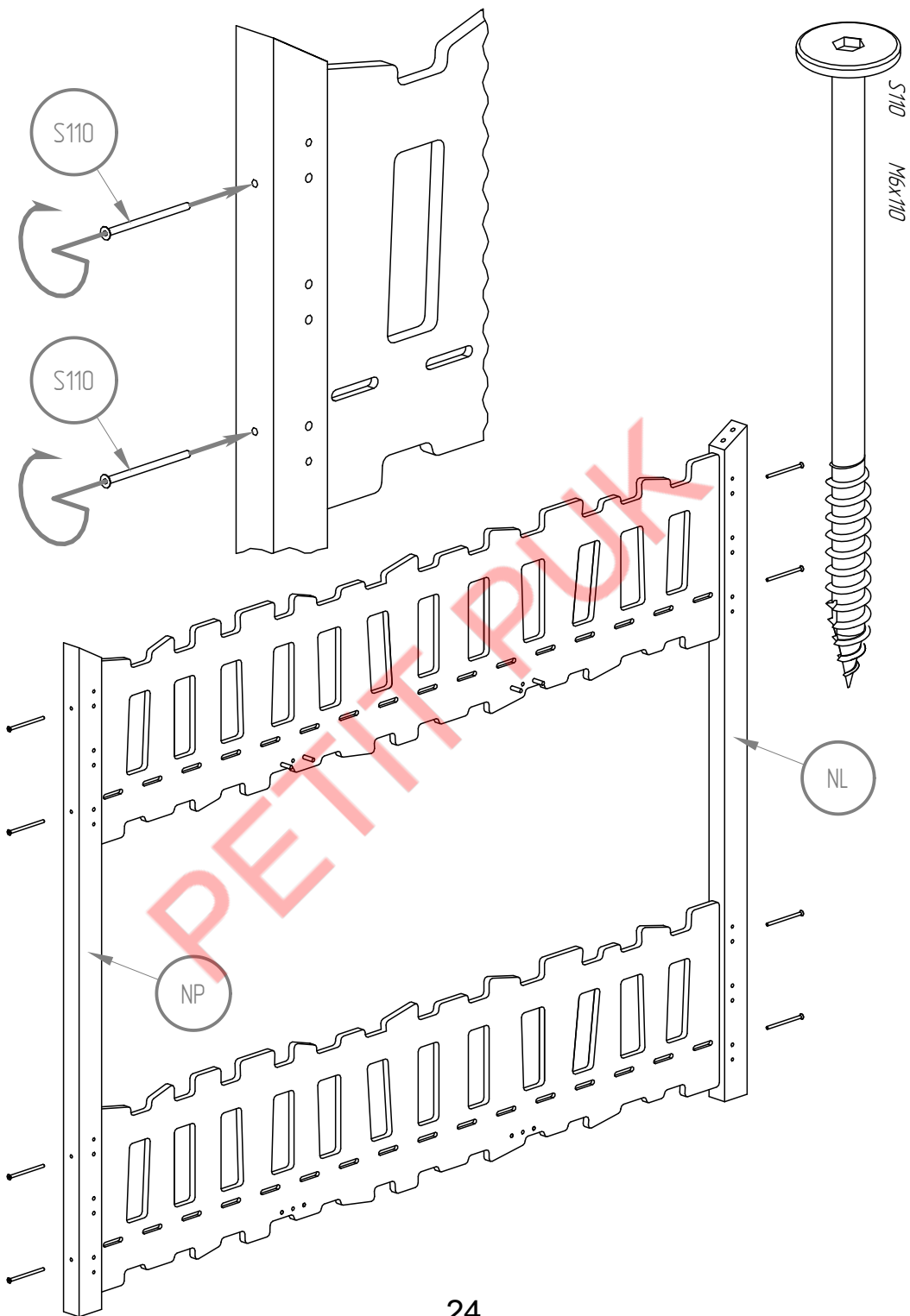
BD

BSD

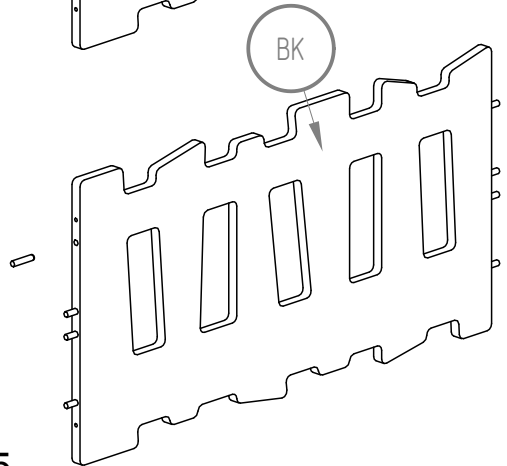
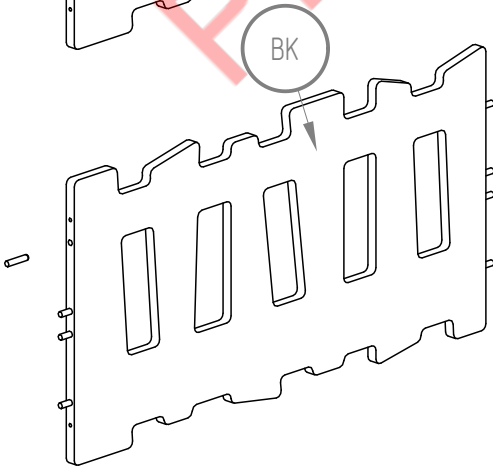
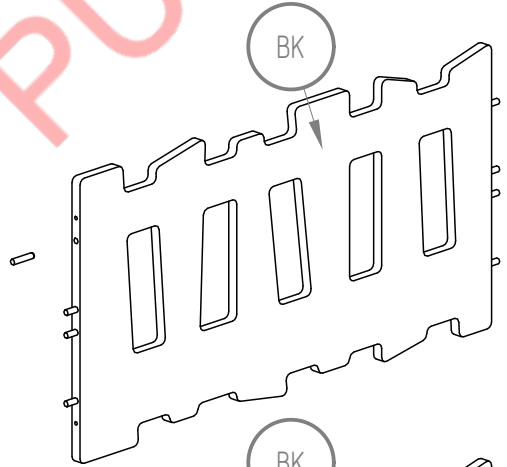
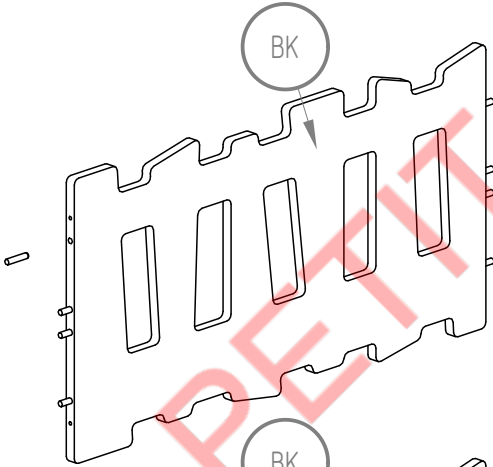
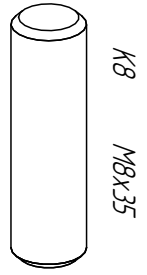
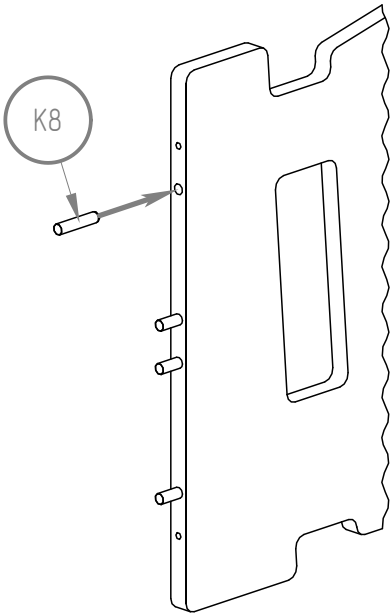
BK

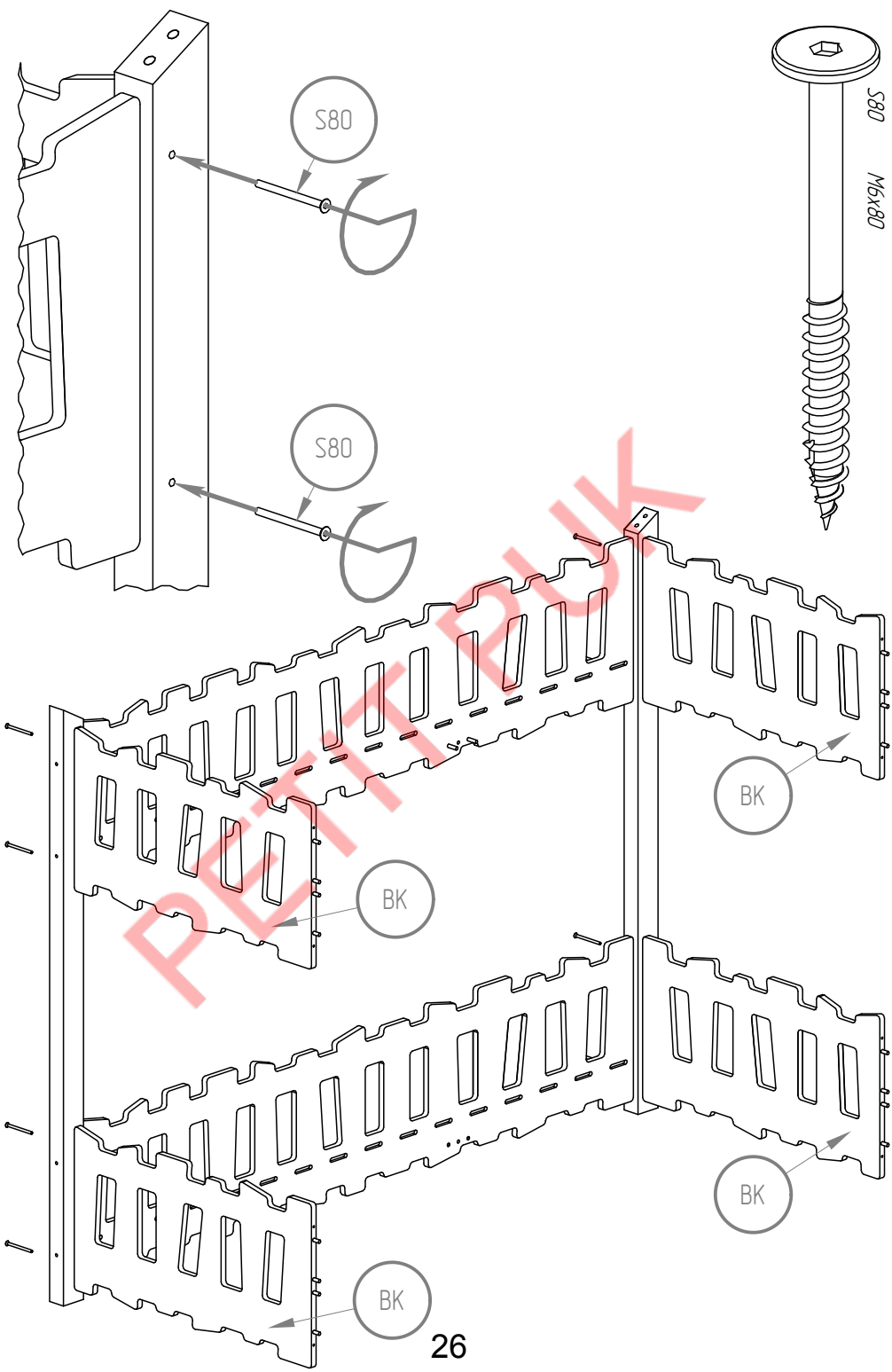
BD - x2  
BSD - x1  
BK - x4

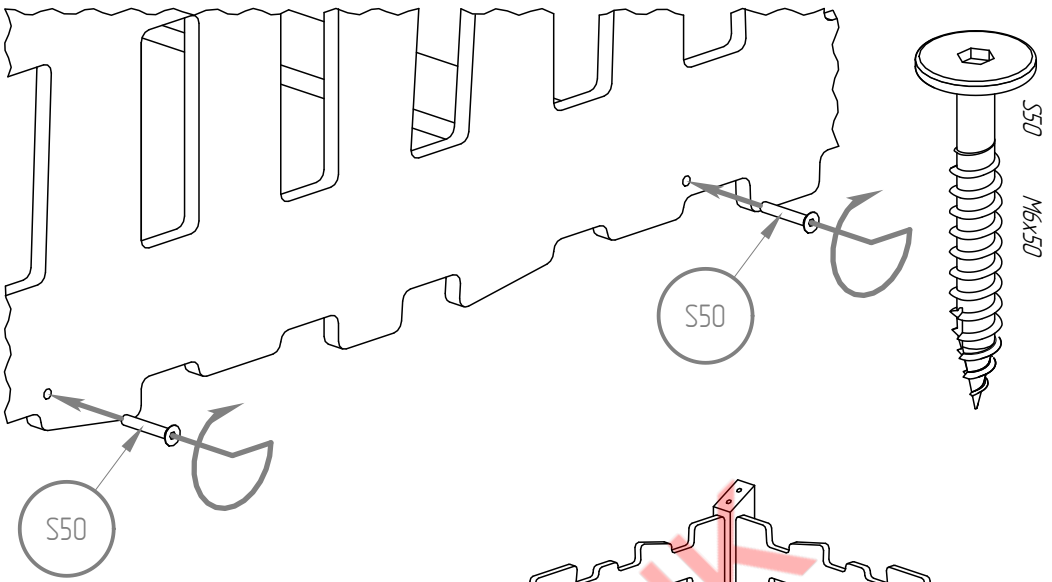






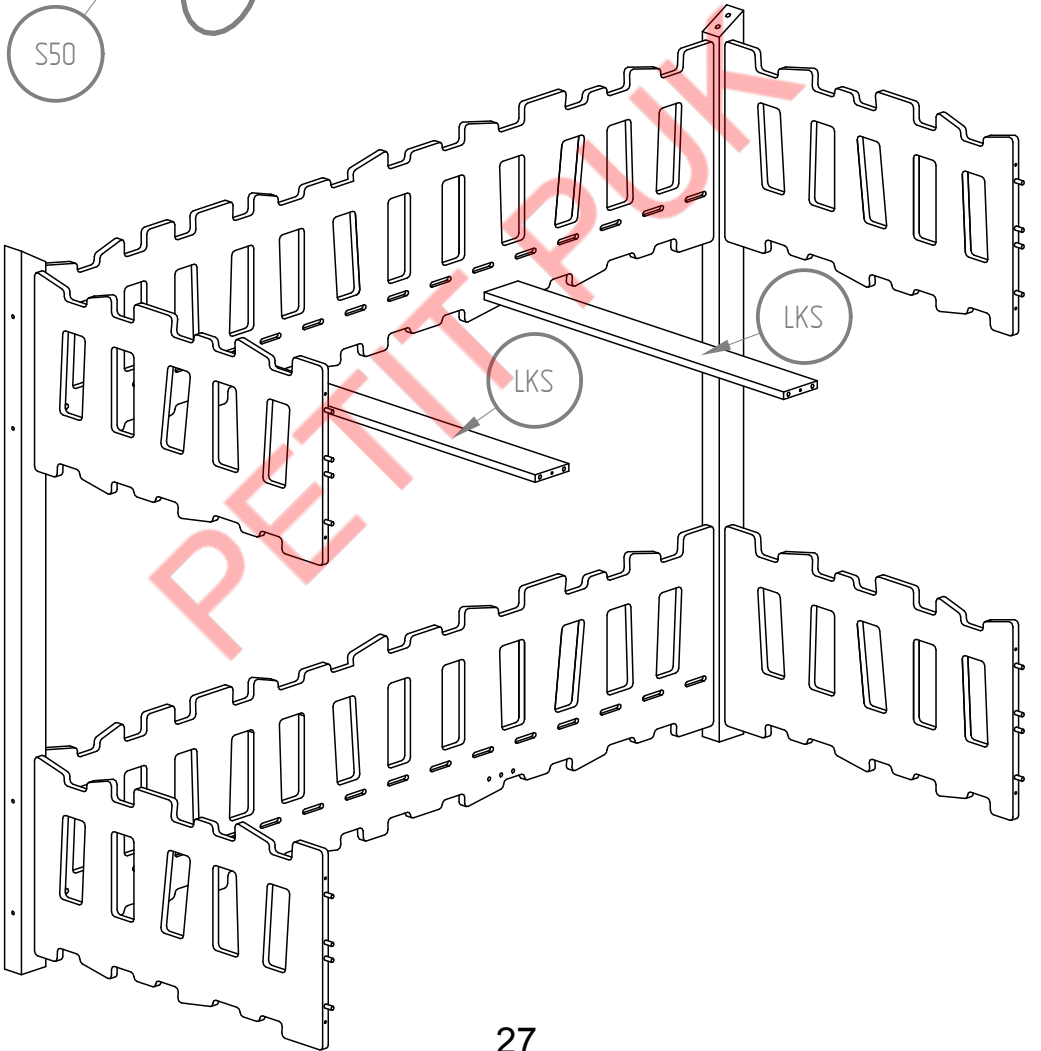
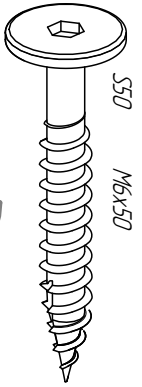






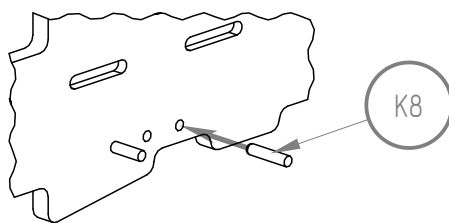
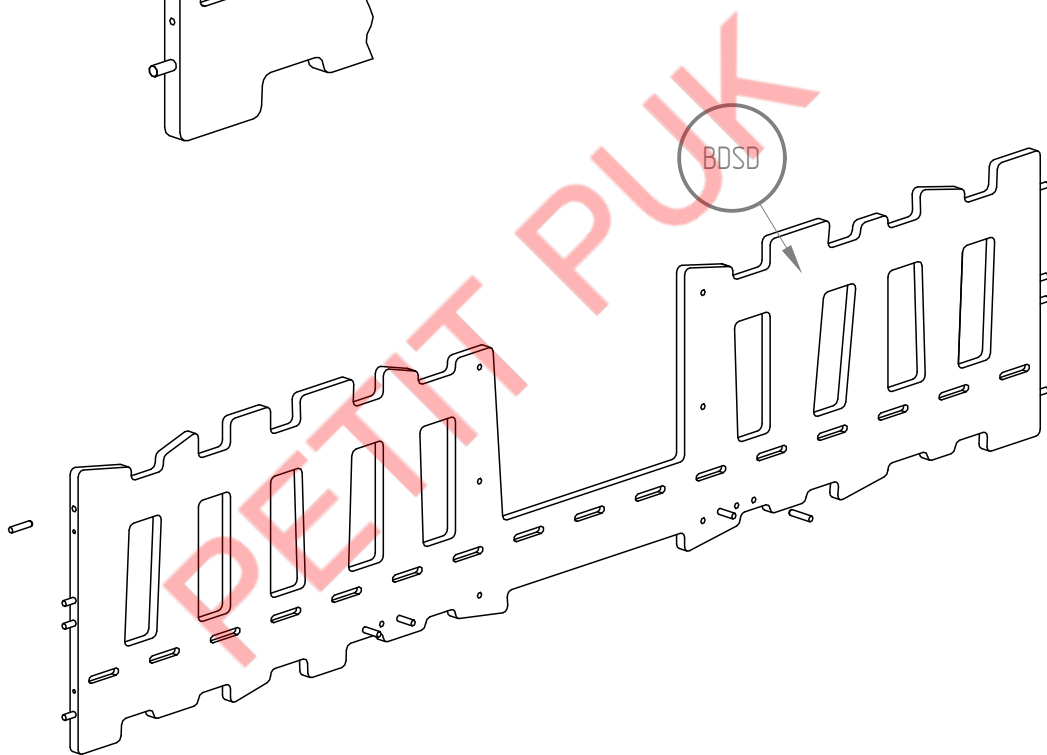
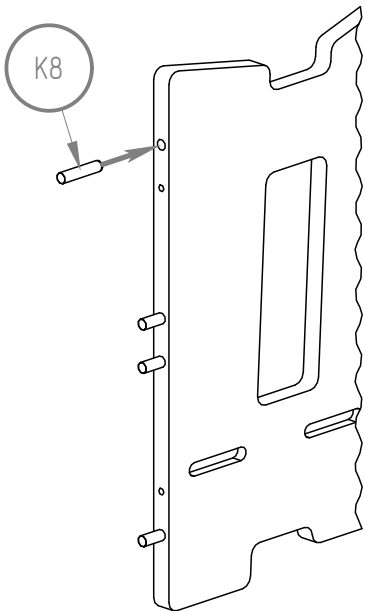
S50

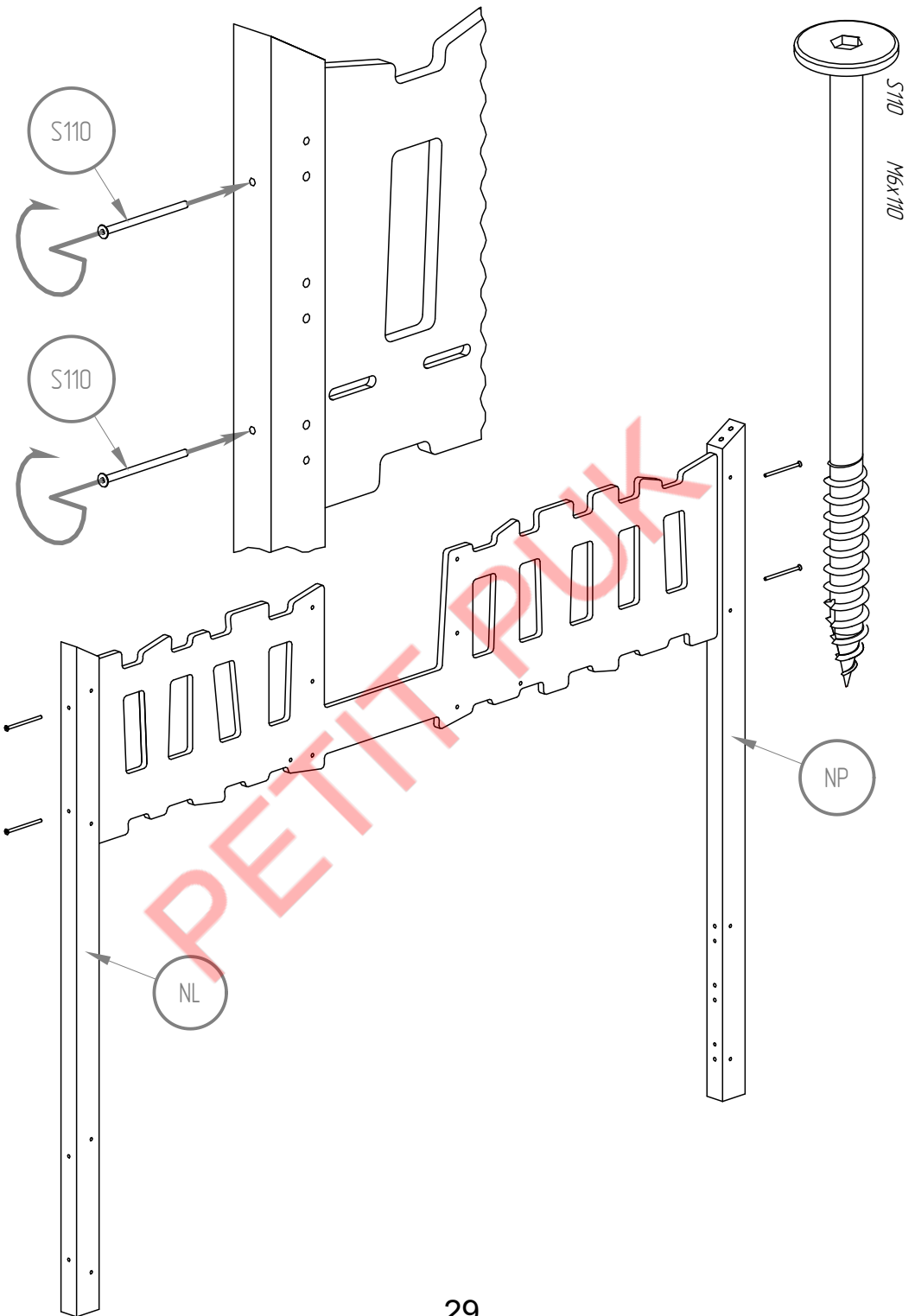
S50

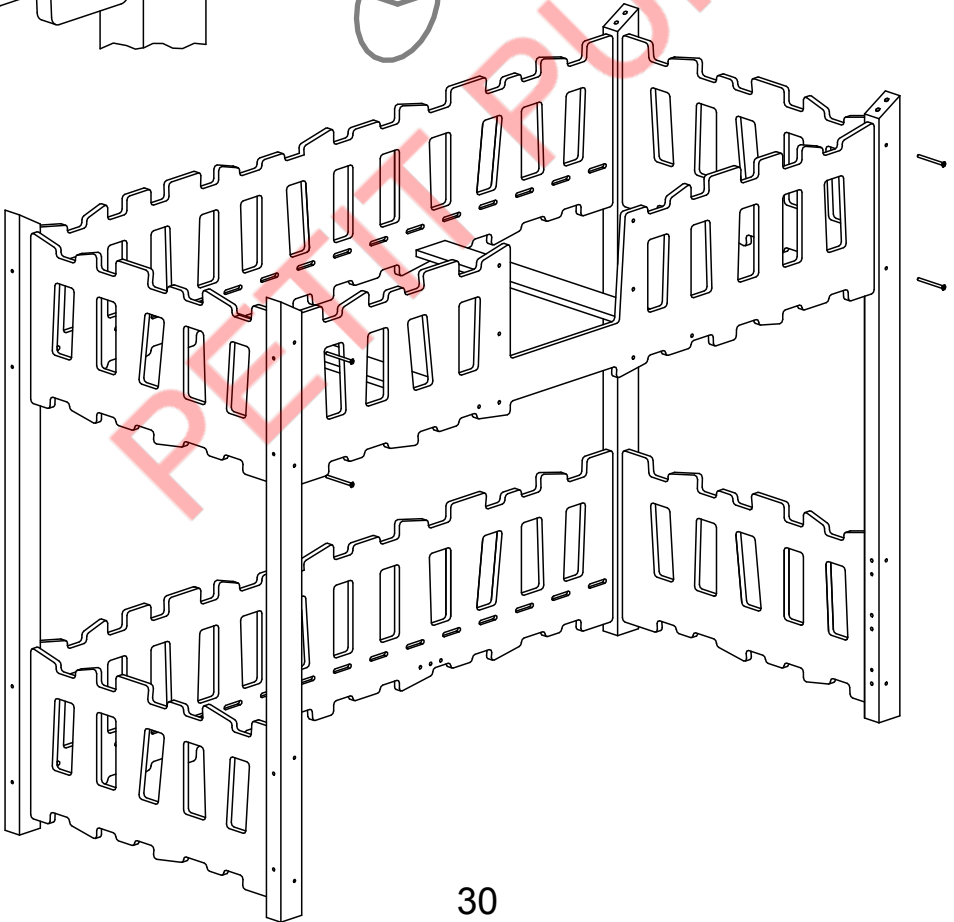
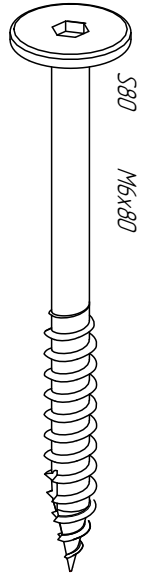
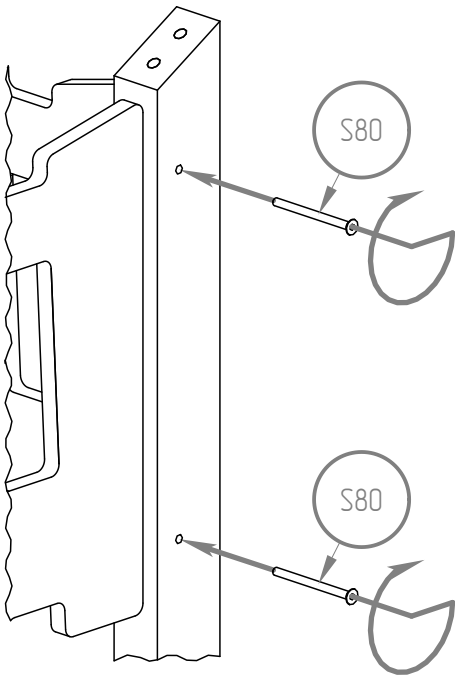


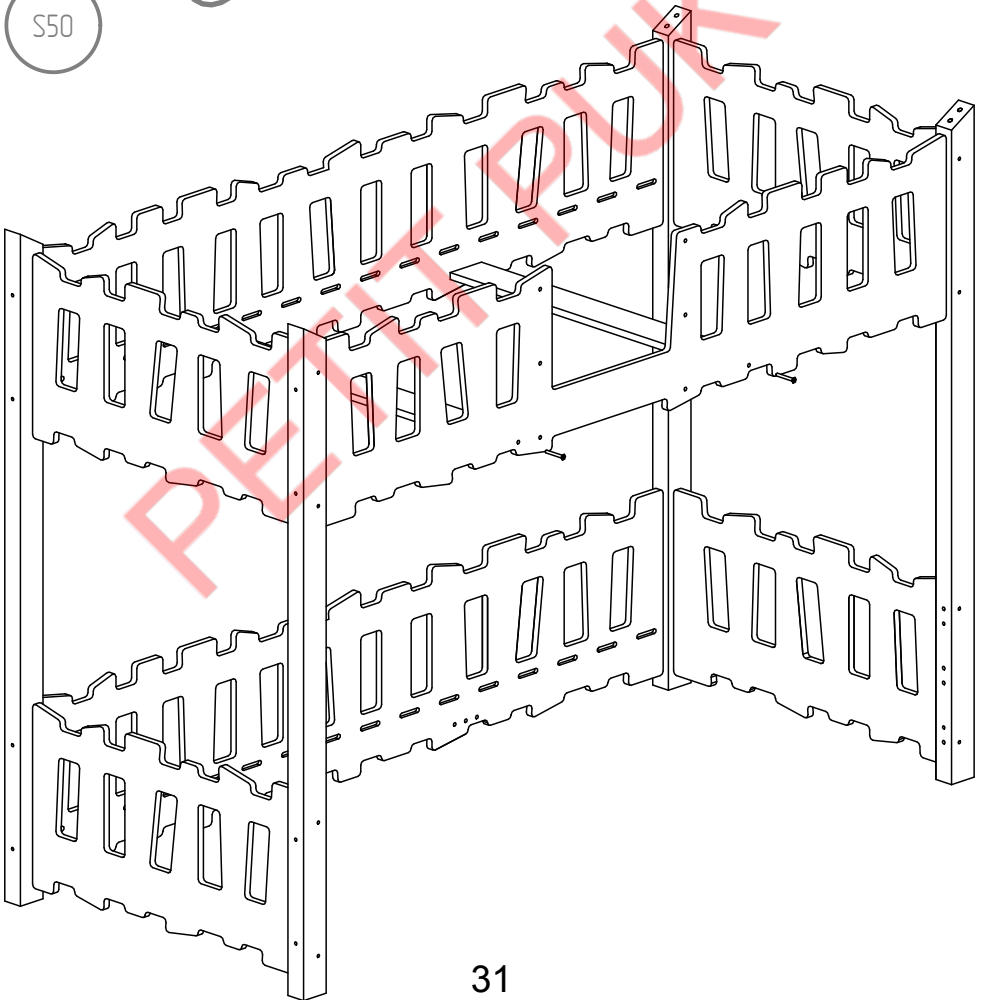
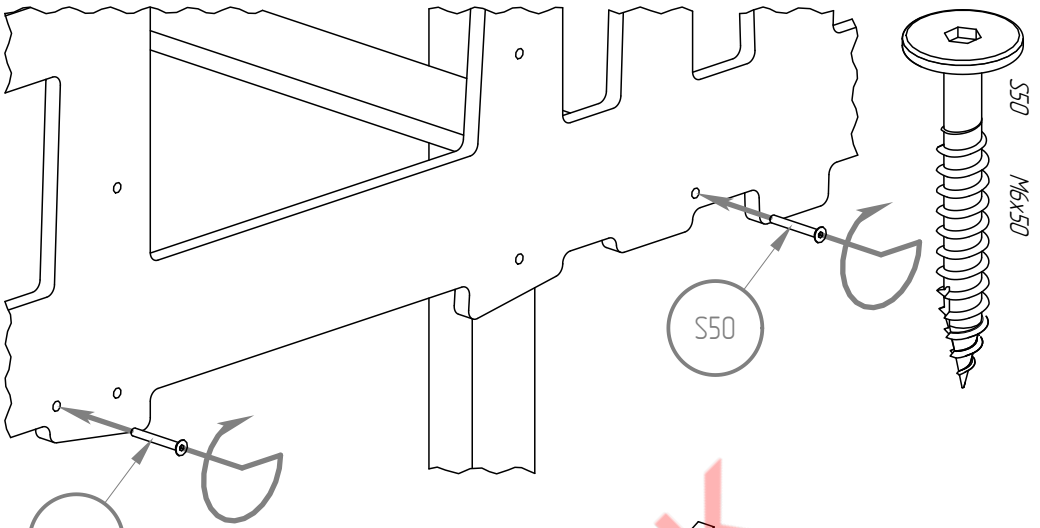
LKS

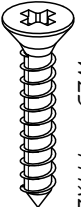
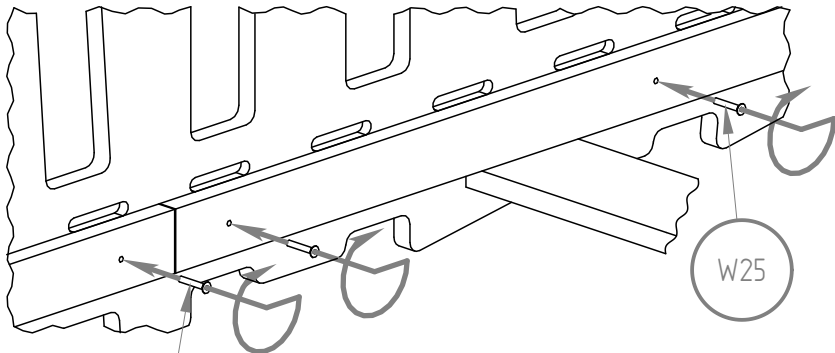
LKS











W25 M4x25

W25

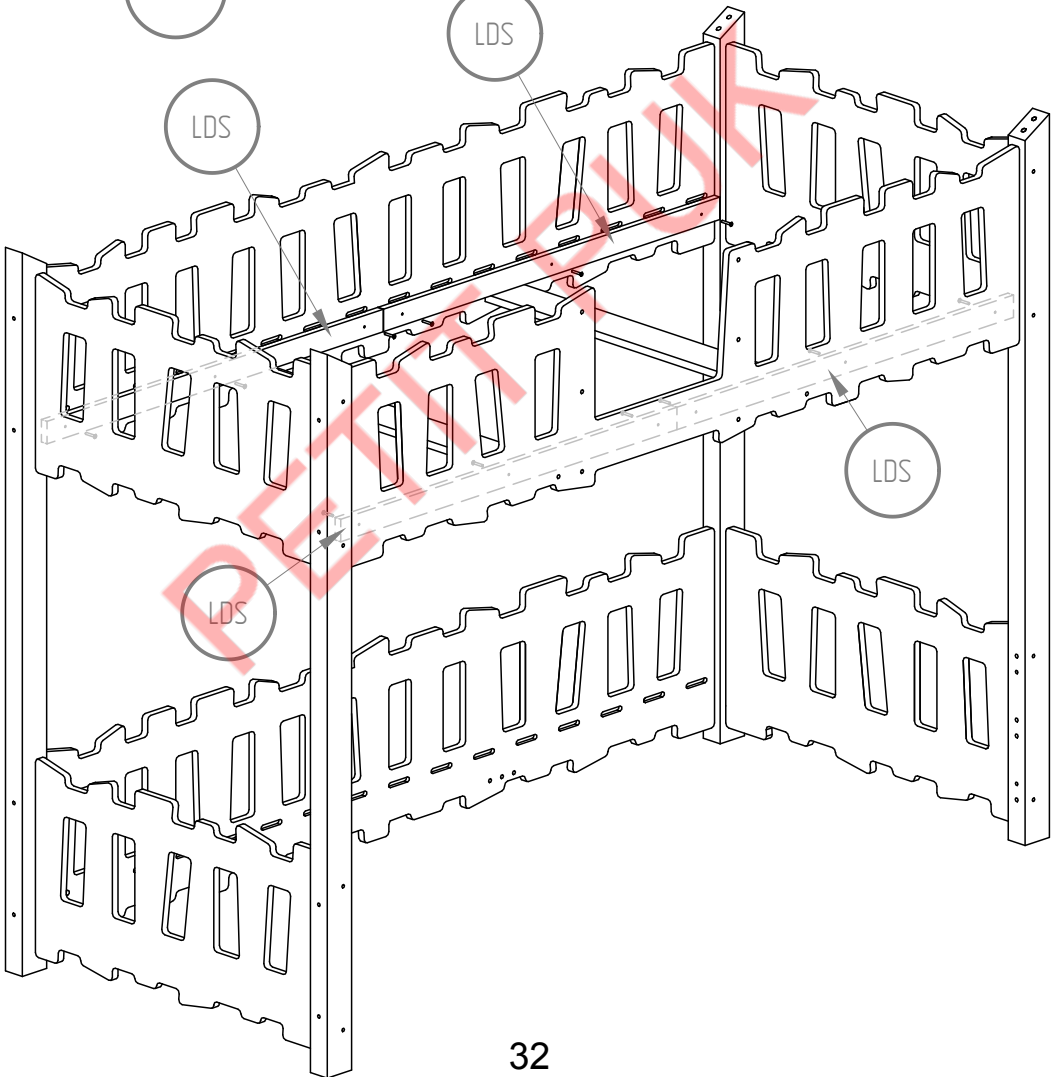
W25

LDS

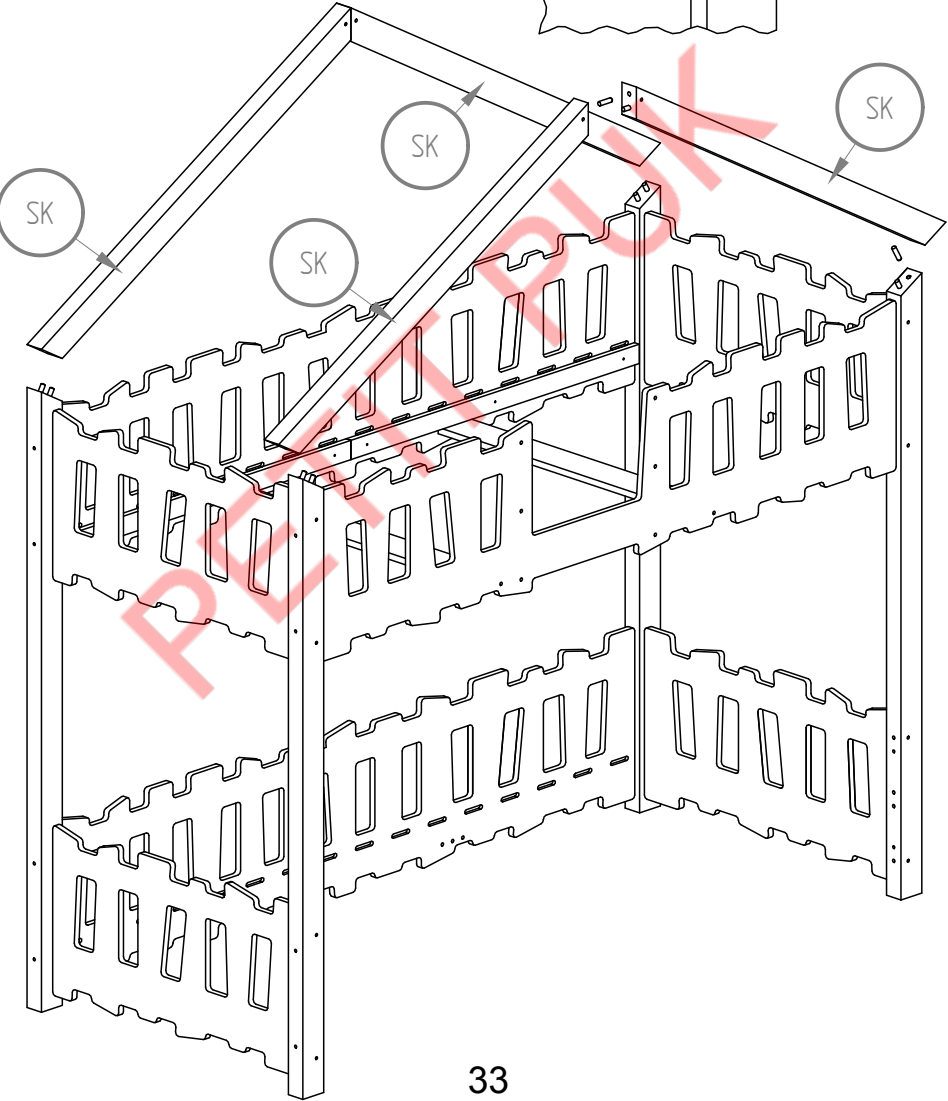
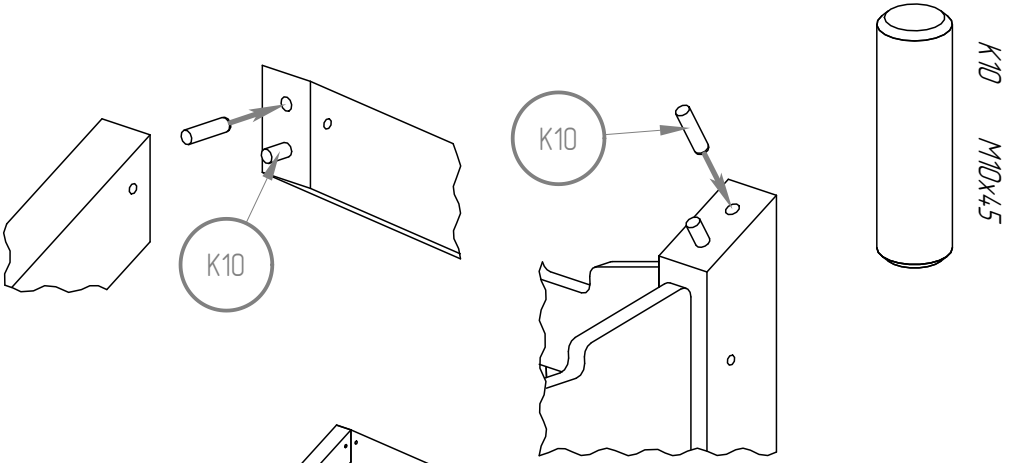
LDS

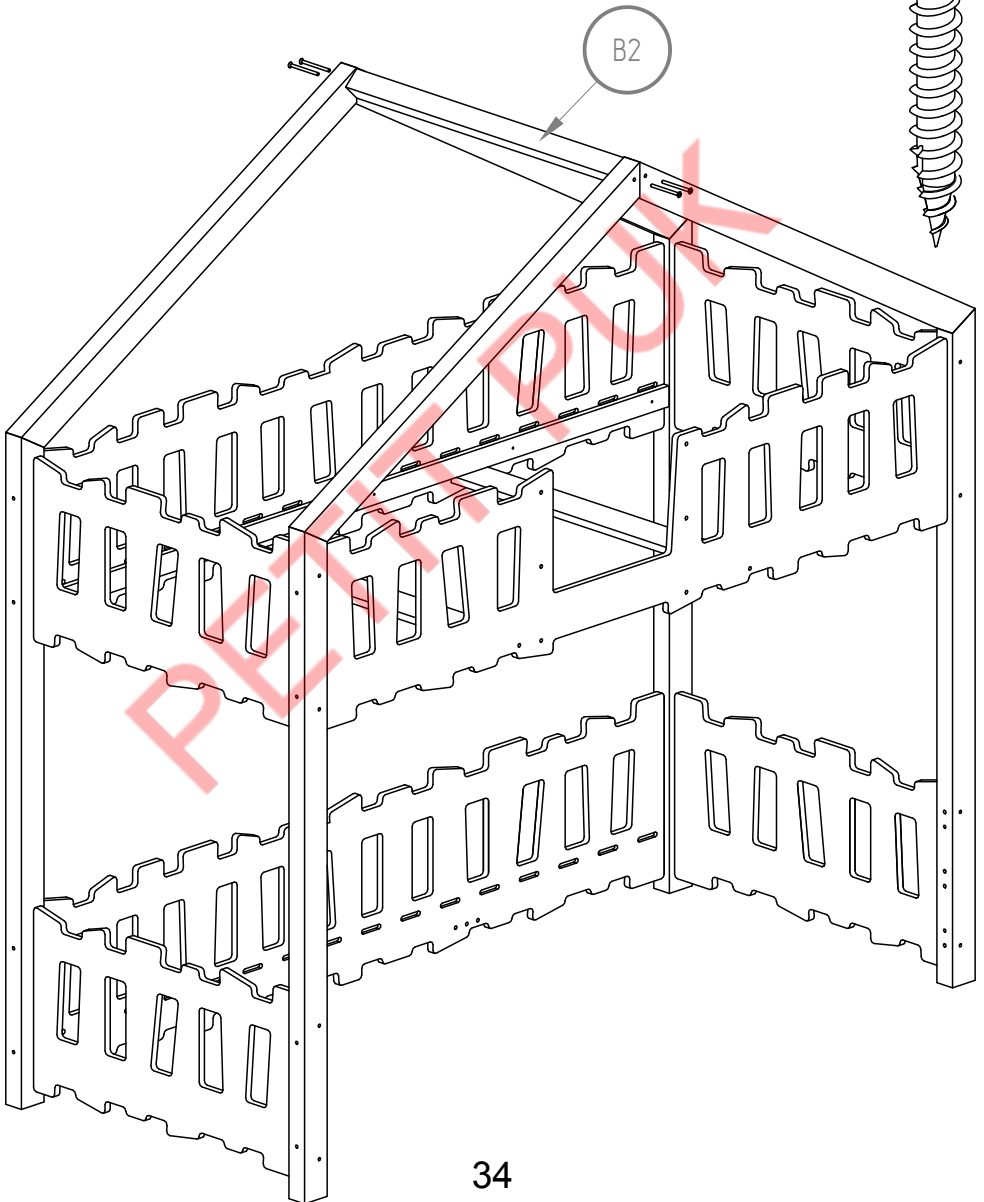
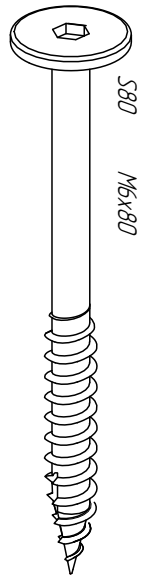
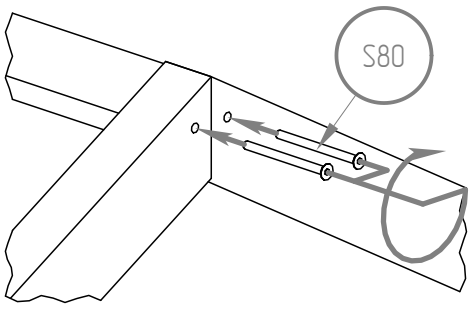
LDS

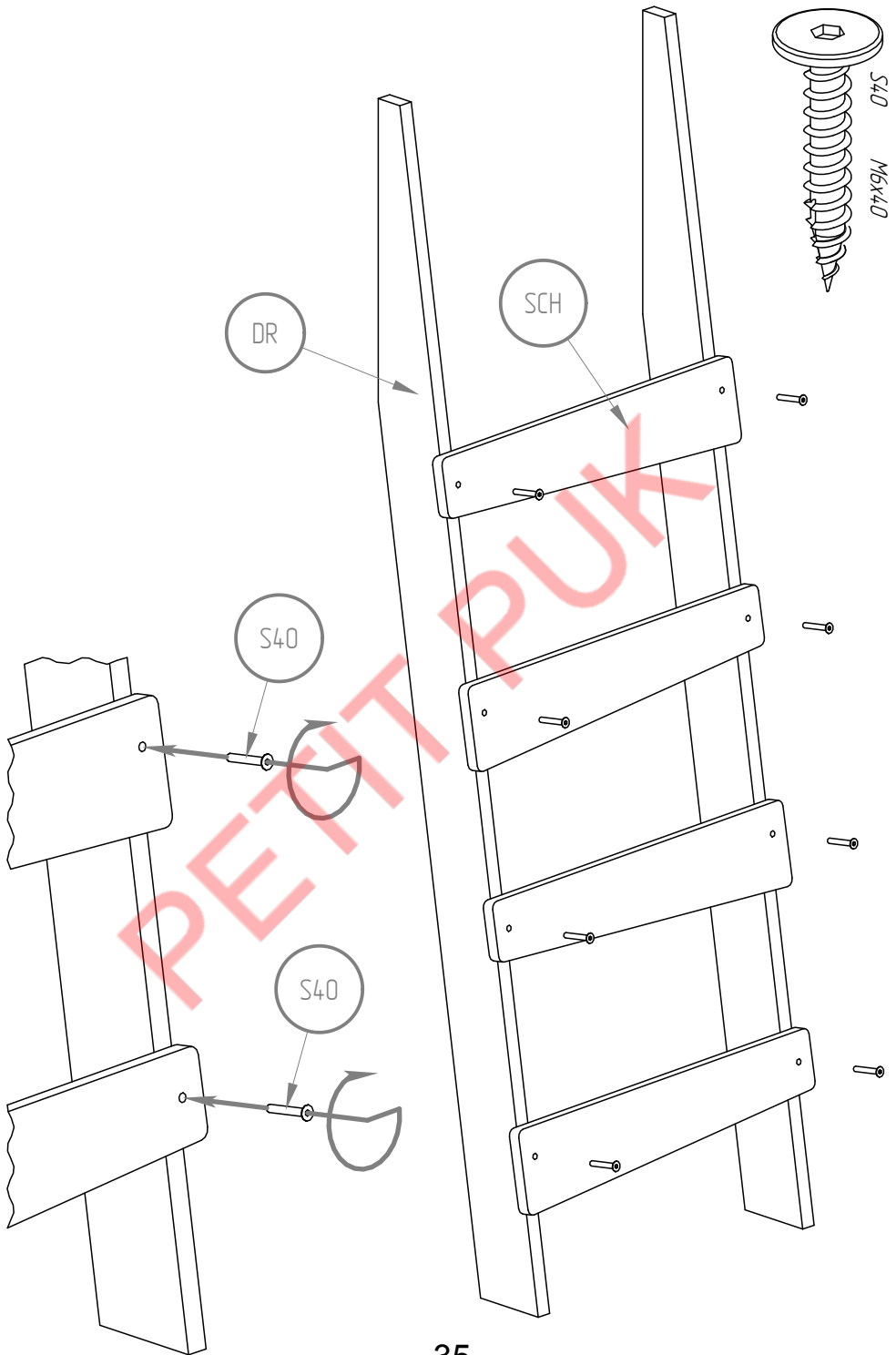
LDS

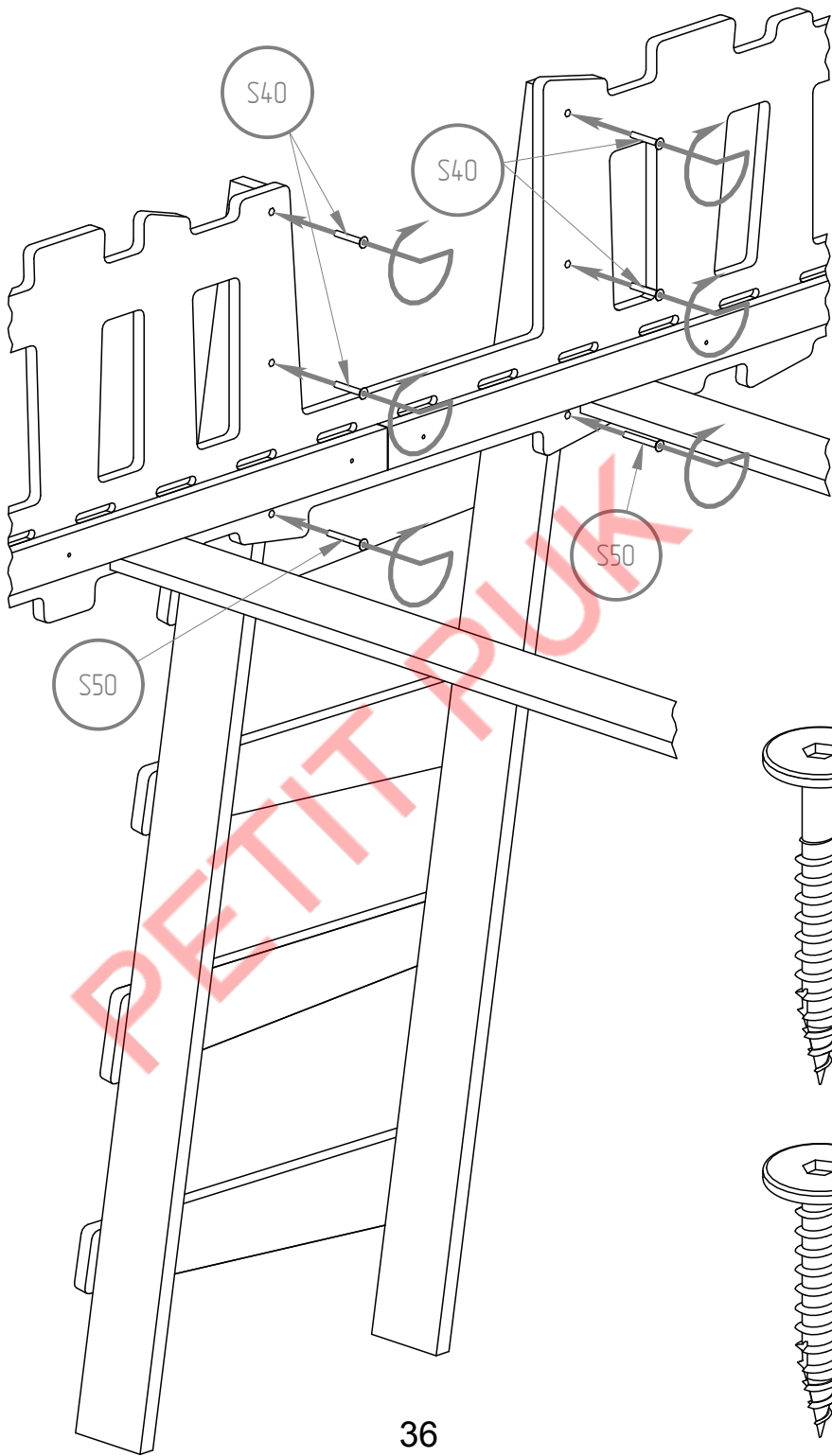


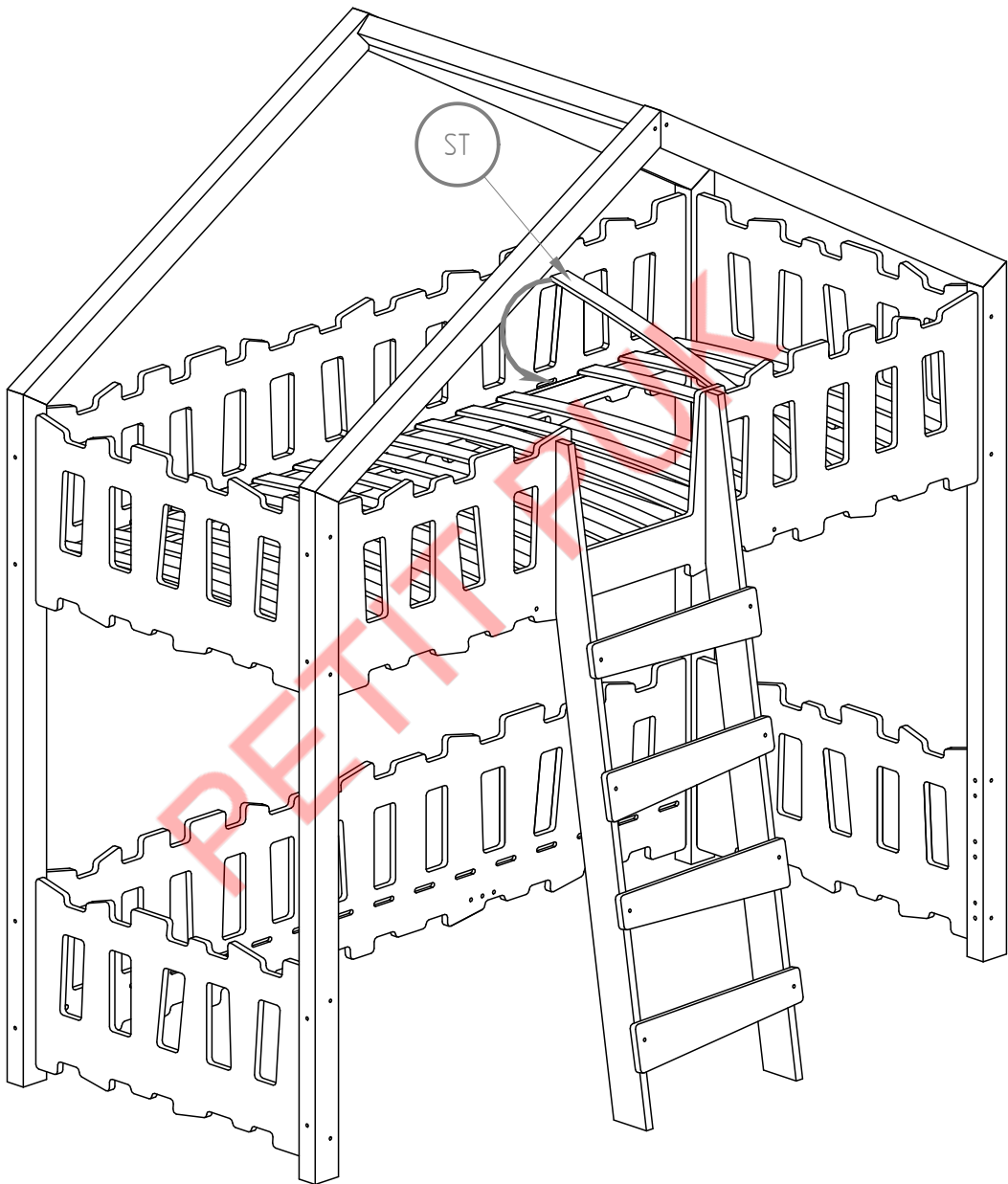












# Assembly Manual **PETIT PUK**



## **Yeaah, great job!!**

We hope you are happy with the results too! Don't forget to share a photo with us, it makes us incredibly happy to see the results in our mailbox or on instagram with #petitpuk

### **Please remember this:**

- ♥ Use only mattress with thickness is 8-14 cm height.
- ♥ Beds are for sleeping, not for jumping
- ♥ Prohibit more than one person on the bunkbed.  
Do not hang on construction components.
- ♥ Wooden and plastic parts should be cleaned with a dry cloth and ordinary, mild care and cleaning of raw wood
- ♥ Bed parts have a warrantee for 2 years under normal use.  
If necessary, contact **PETIT PUK** indicating your name and order number, accompanied by photos's of the situation.

**PETIT  
♥ PUK ♥**

[www.petitpuk.com](http://www.petitpuk.com)   f   [petitpuk](https://www.facebook.com/petitpuk)      [petitpuk](https://www.instagram.com/petitpuk)