

Assembly Manual **PETIT PUK** for **JARDIN / Junior bed**



Congratulations with your PETIT PUK BED!

Now it's assembly time. Please make sure to check these elements prior to starting:

- ♥ is everything complete?
- ♥ are all pieces in good shape?
- ♥ good spirits and perhaps a partner in crime in your presence?
- ♥ ready to take a photo of your great work afterwards, to share it with us?
- ♥ ticked all boxes with yes? Ready, steady, gooo!

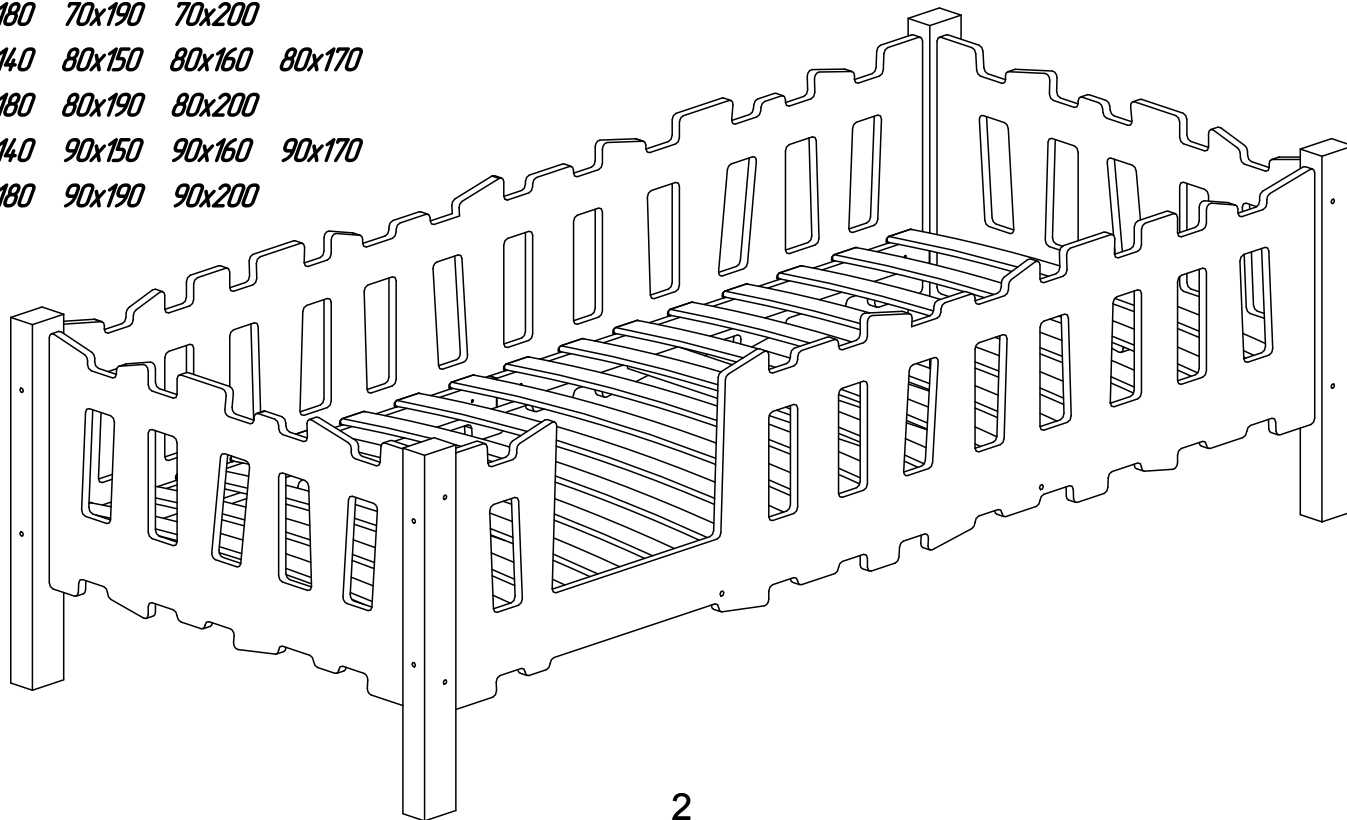
PS. A tip

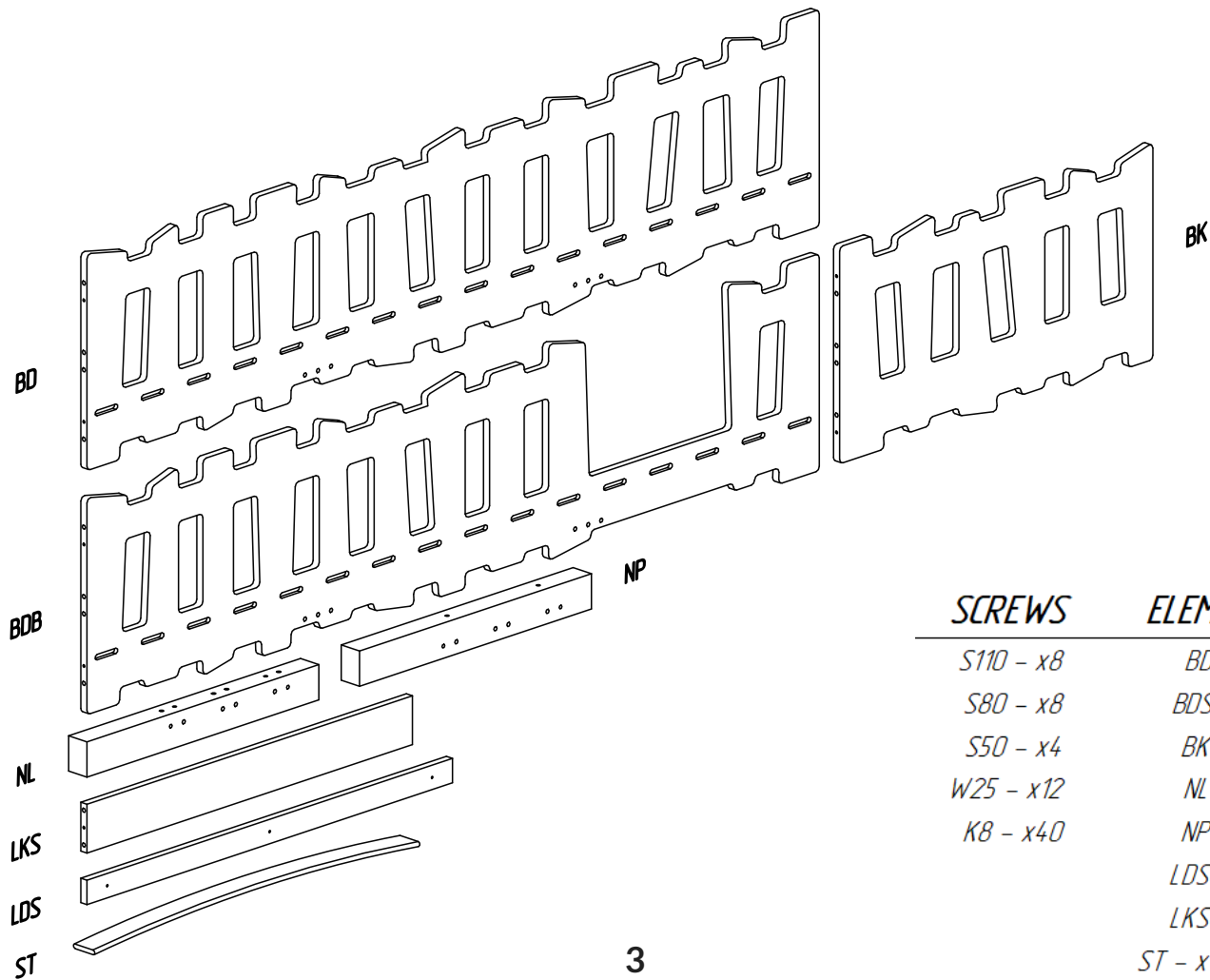
You will find small green glue tubes with EU standards. Just slide a small amount of glue into the holes to receive the wood dowels. Glue is only necessary at the level of beveled wood stud assemblies for perfect stability. It is not necessary to put glue on the bed base which would prevent you from dismantling the bed afterwards.

**PETIT
♥ PUK ♥**

www.petitpuk.com f [petitpuk](#)  [petitpuk](#)

70x140 70x150 70x160 70x170
70x180 70x190 70x200
80x140 80x150 80x160 80x170
80x180 80x190 80x200
90x140 90x150 90x160 90x170
90x180 90x190 90x200





SCREWS

S110 - x8

S80 - x8

S50 - x4

W25 - x12

K8 - x40

ELEMENTS

BD - x1

BDS - x1

BK - x2

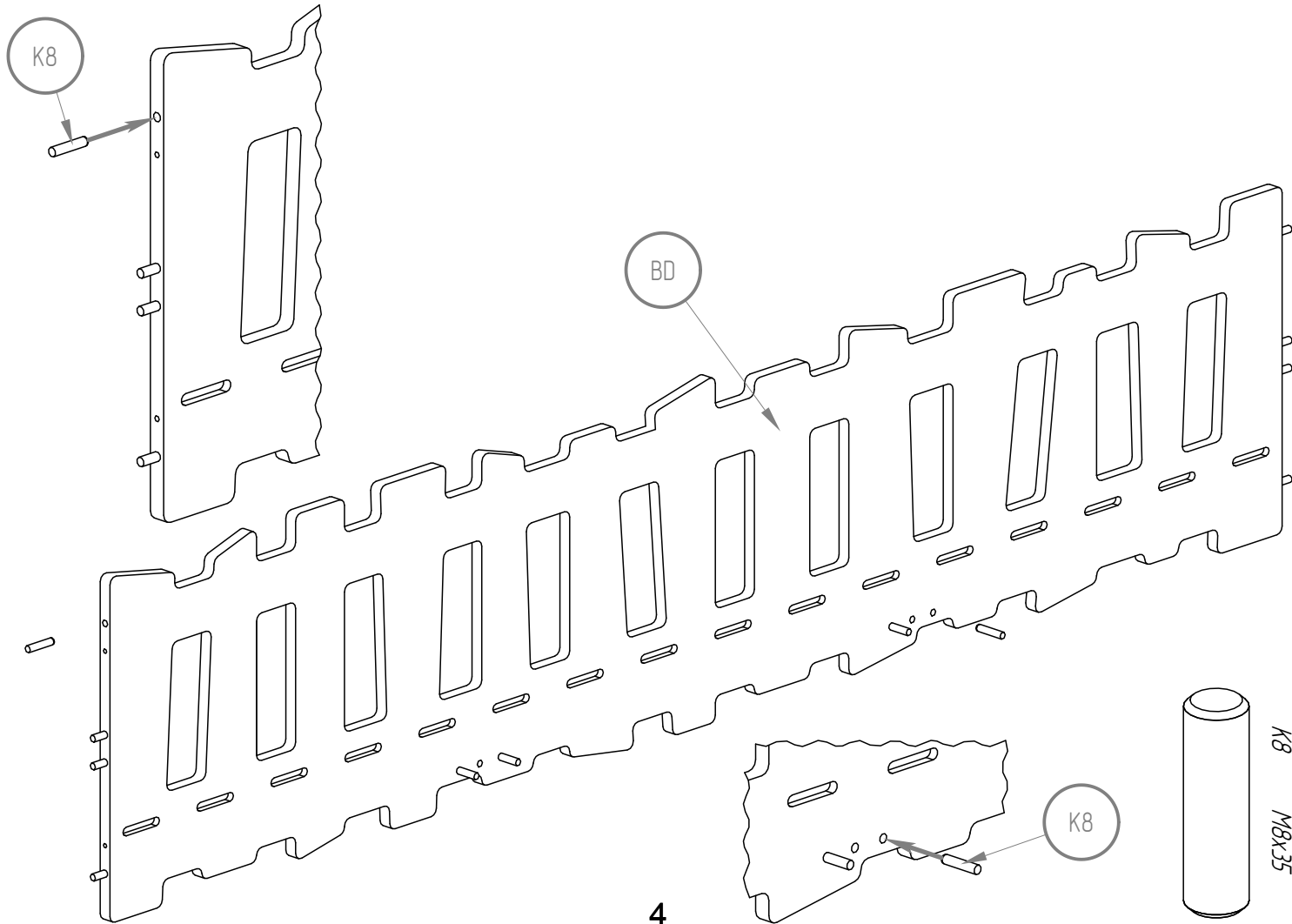
NL - x2

NP - x2

LDS - x4

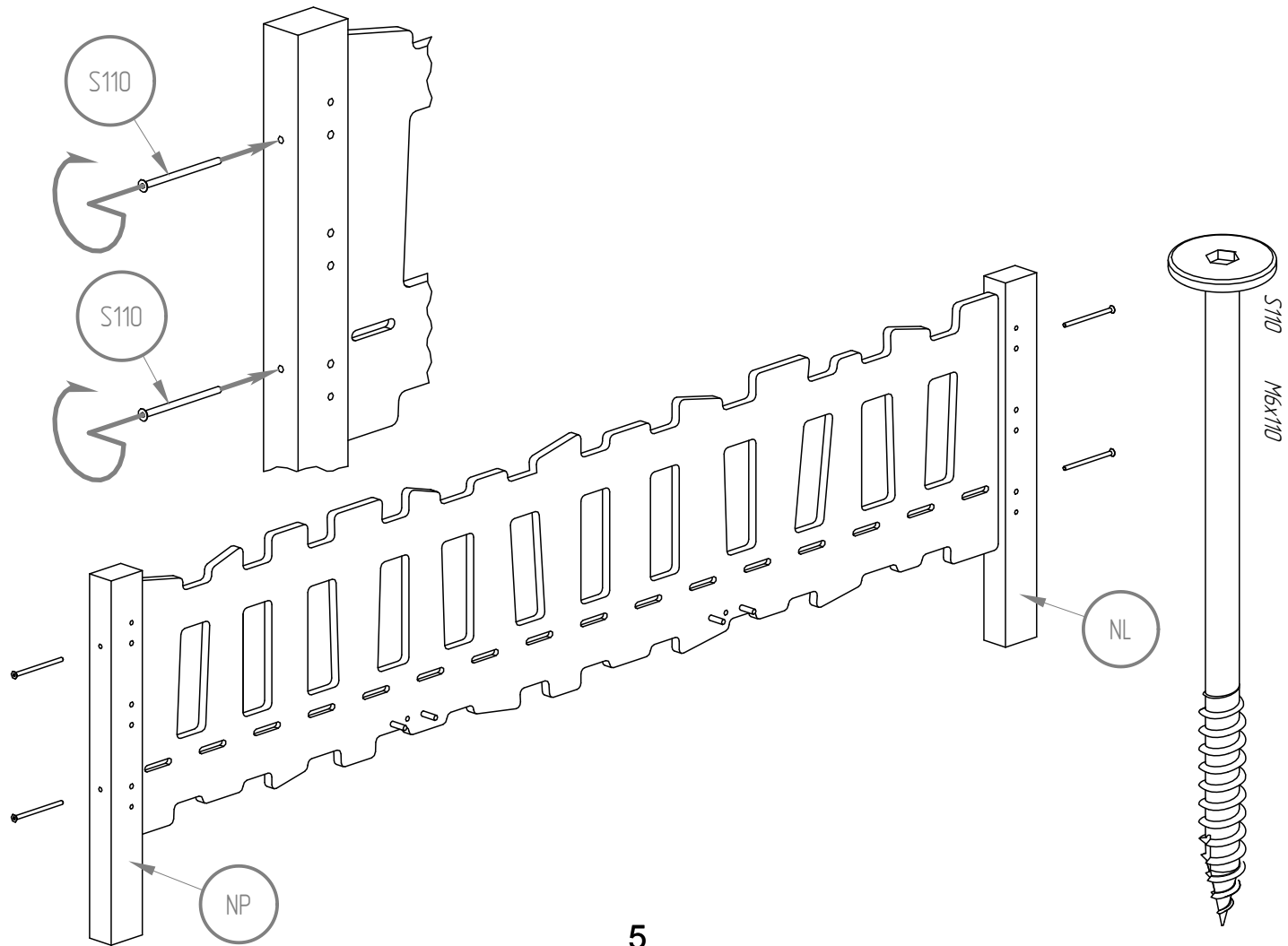
LKS - x2

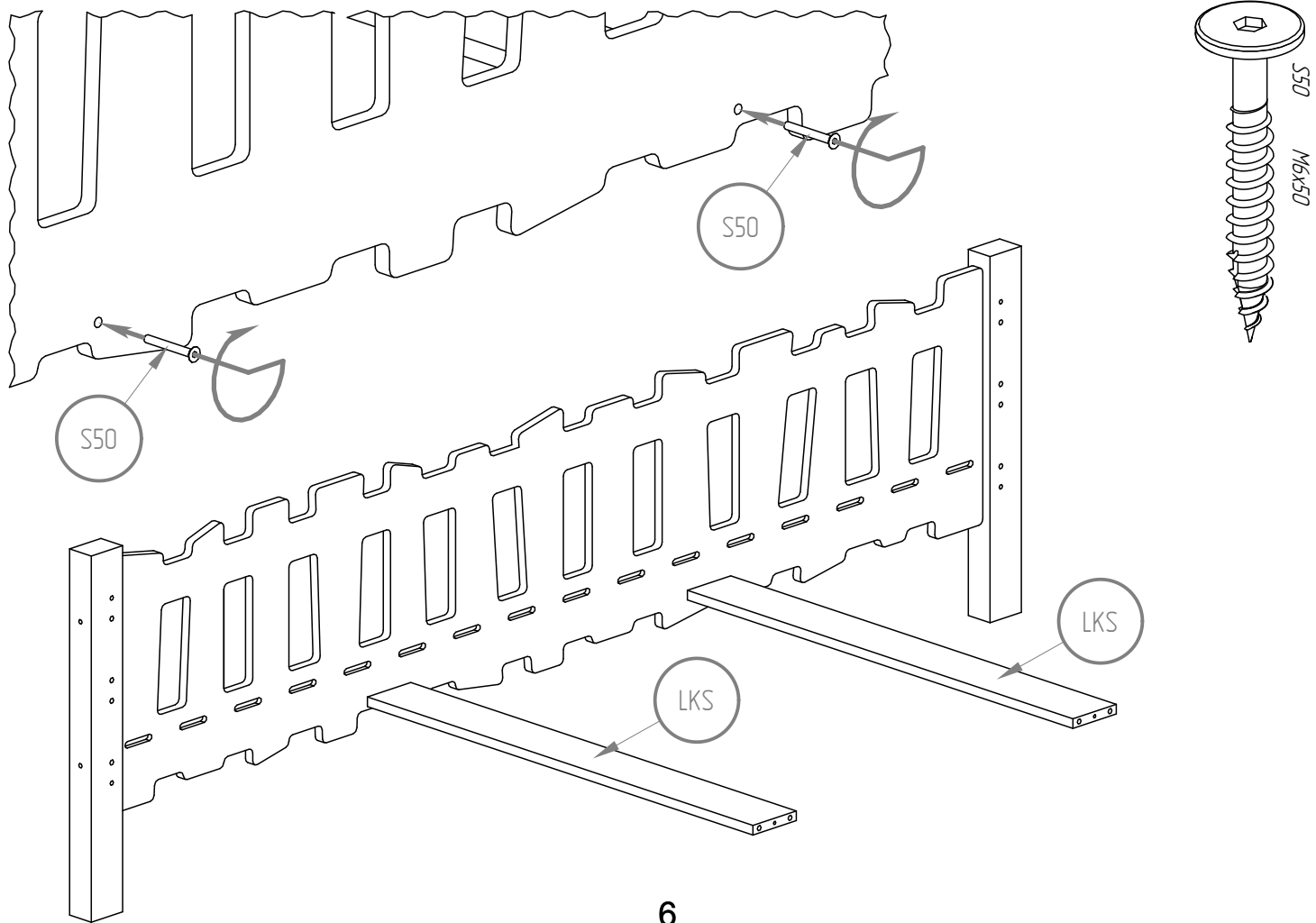
ST - x12-16



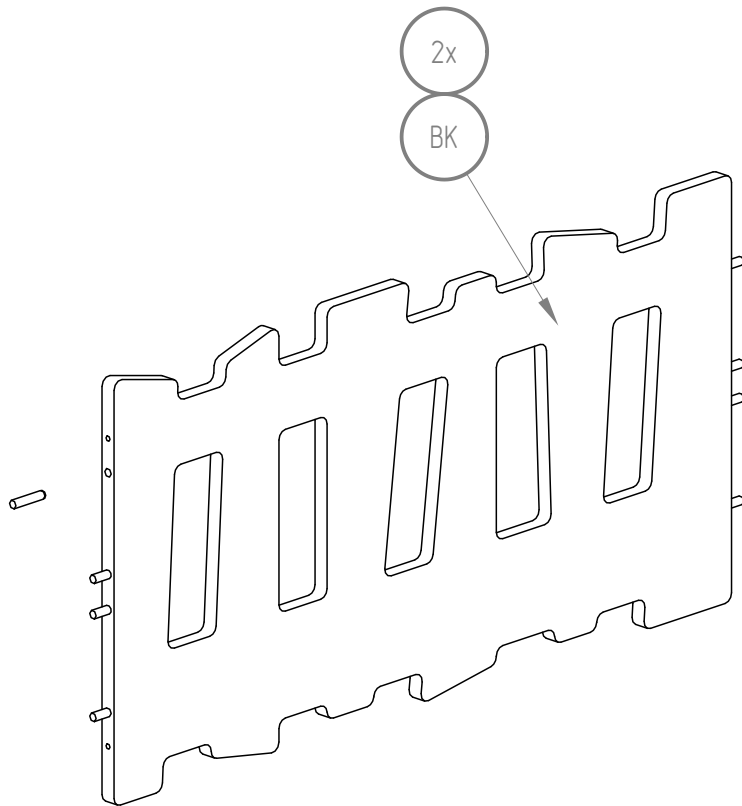
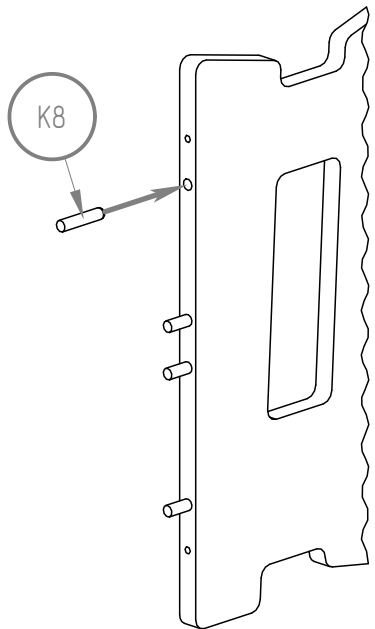
4

K8
M8x35

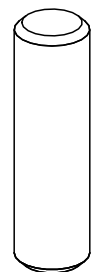




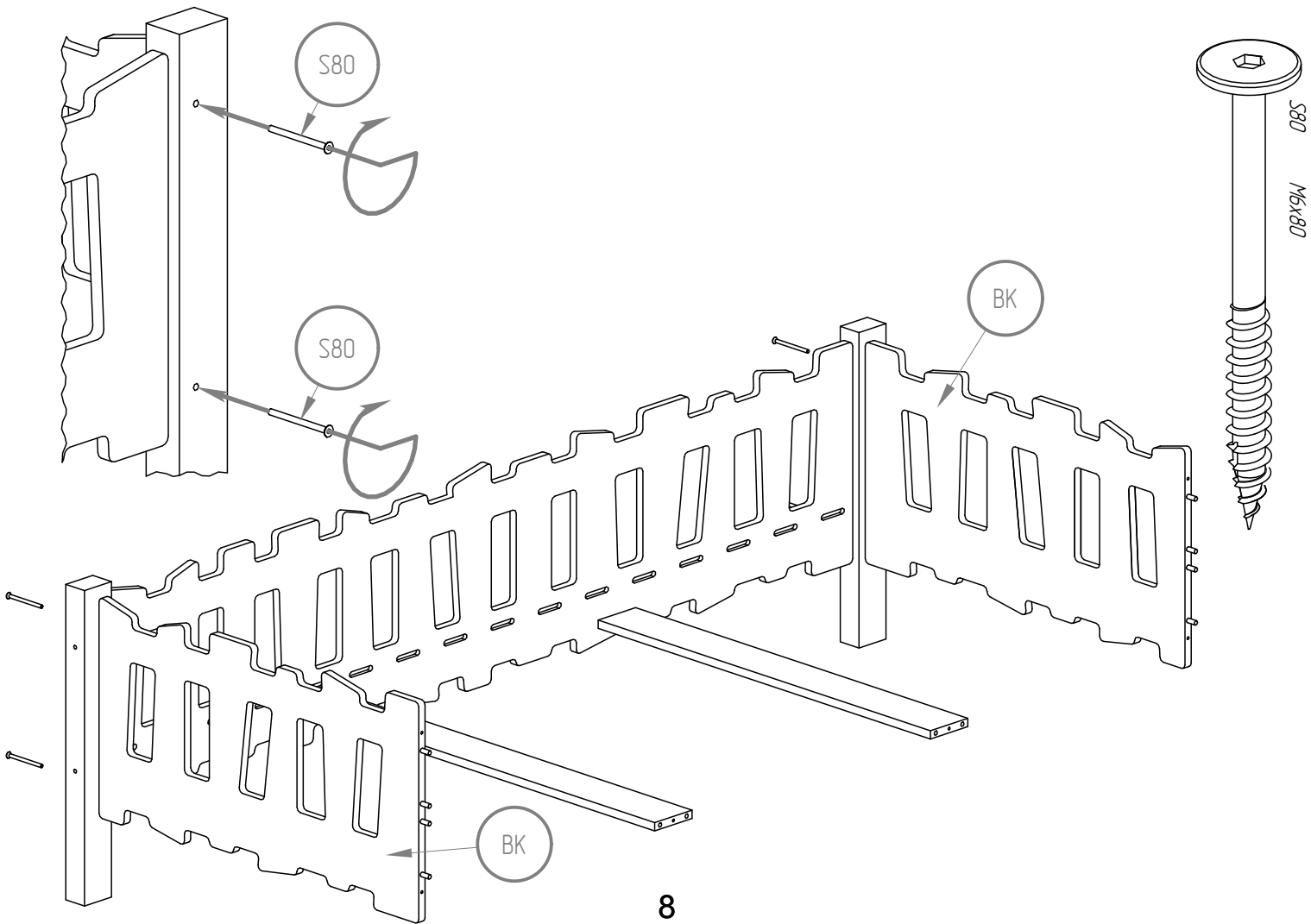
6

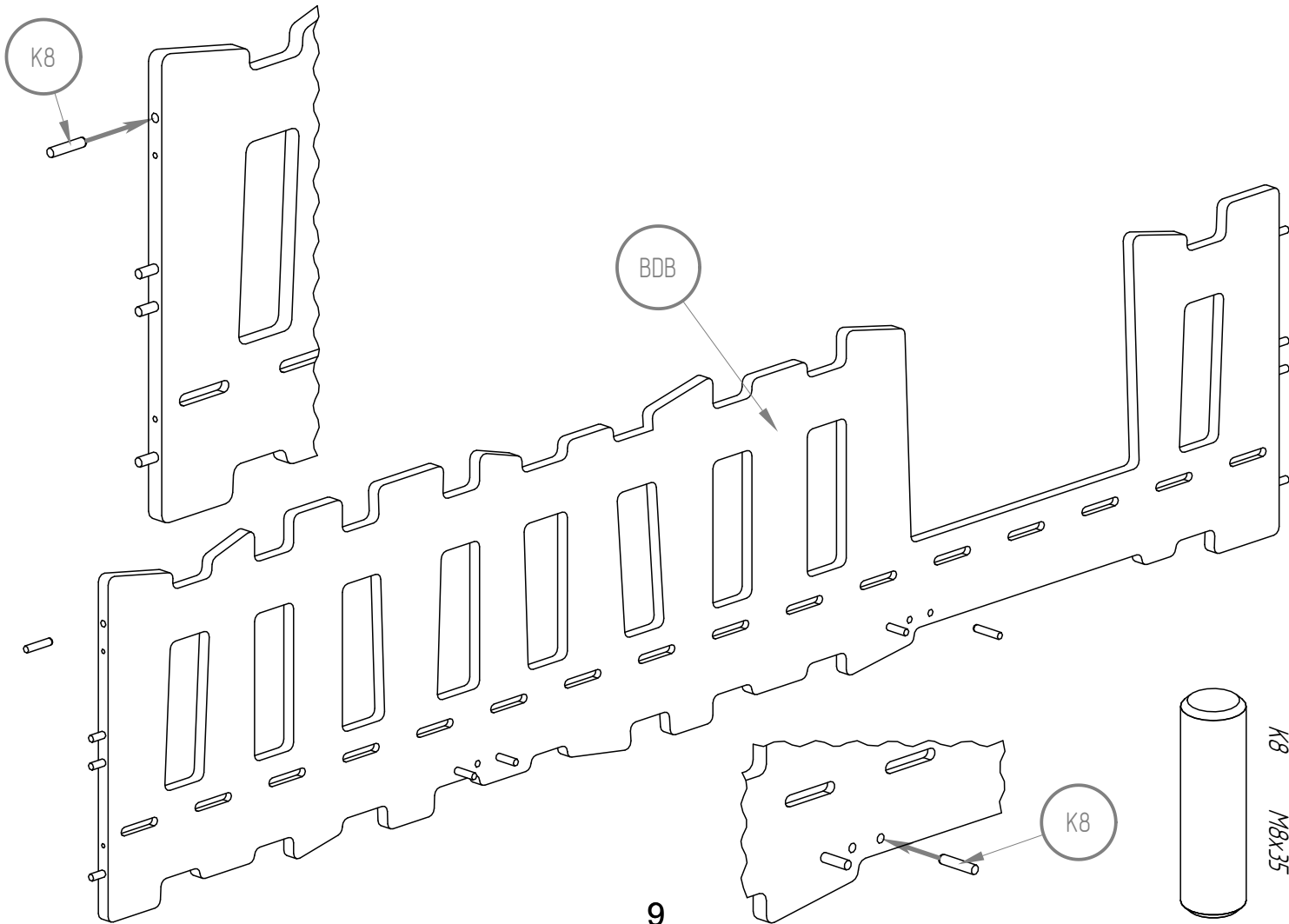


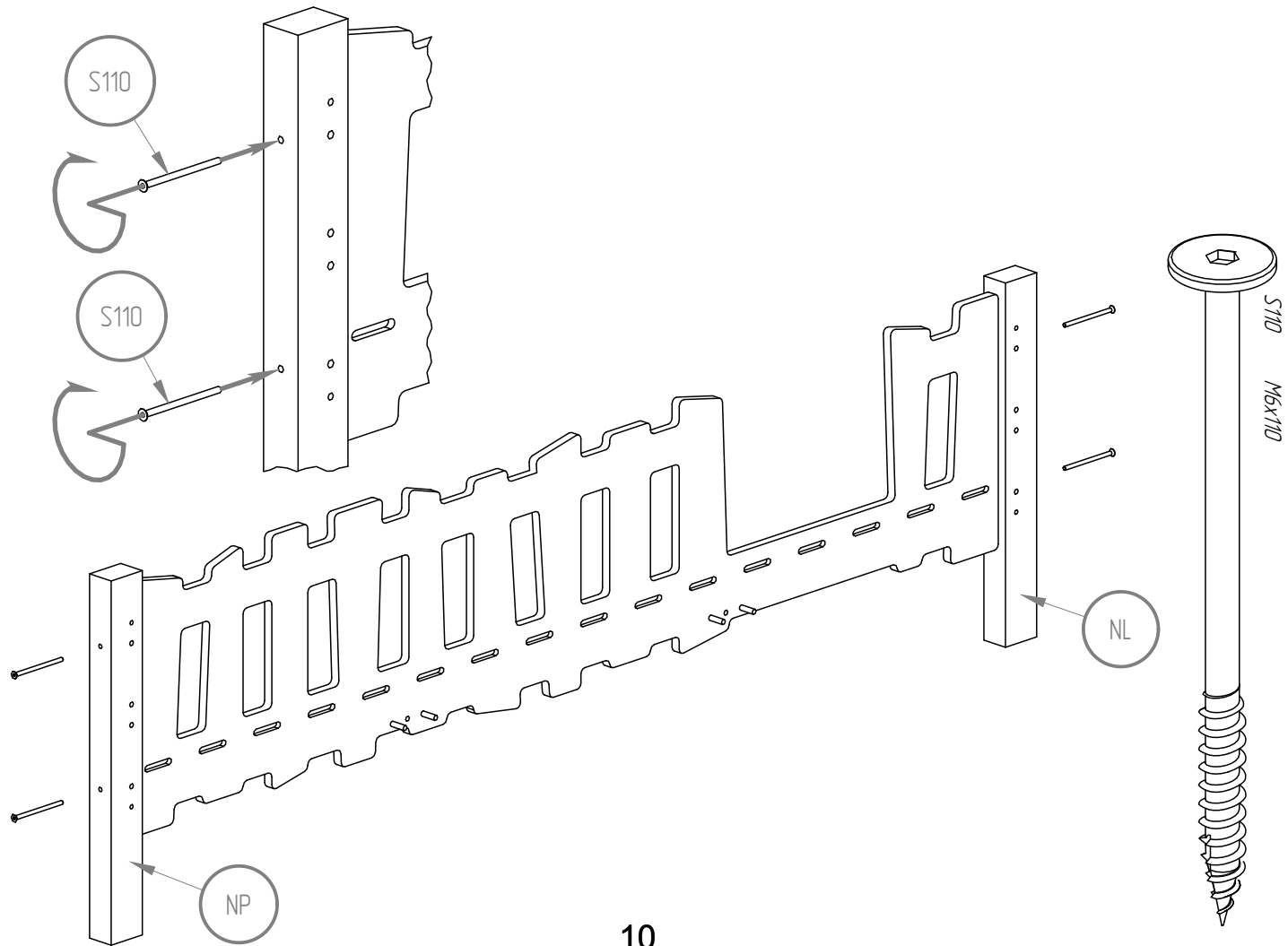
7

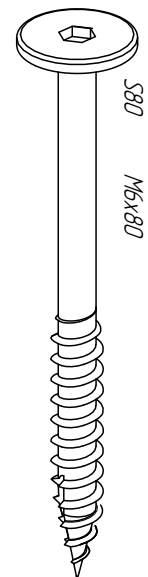
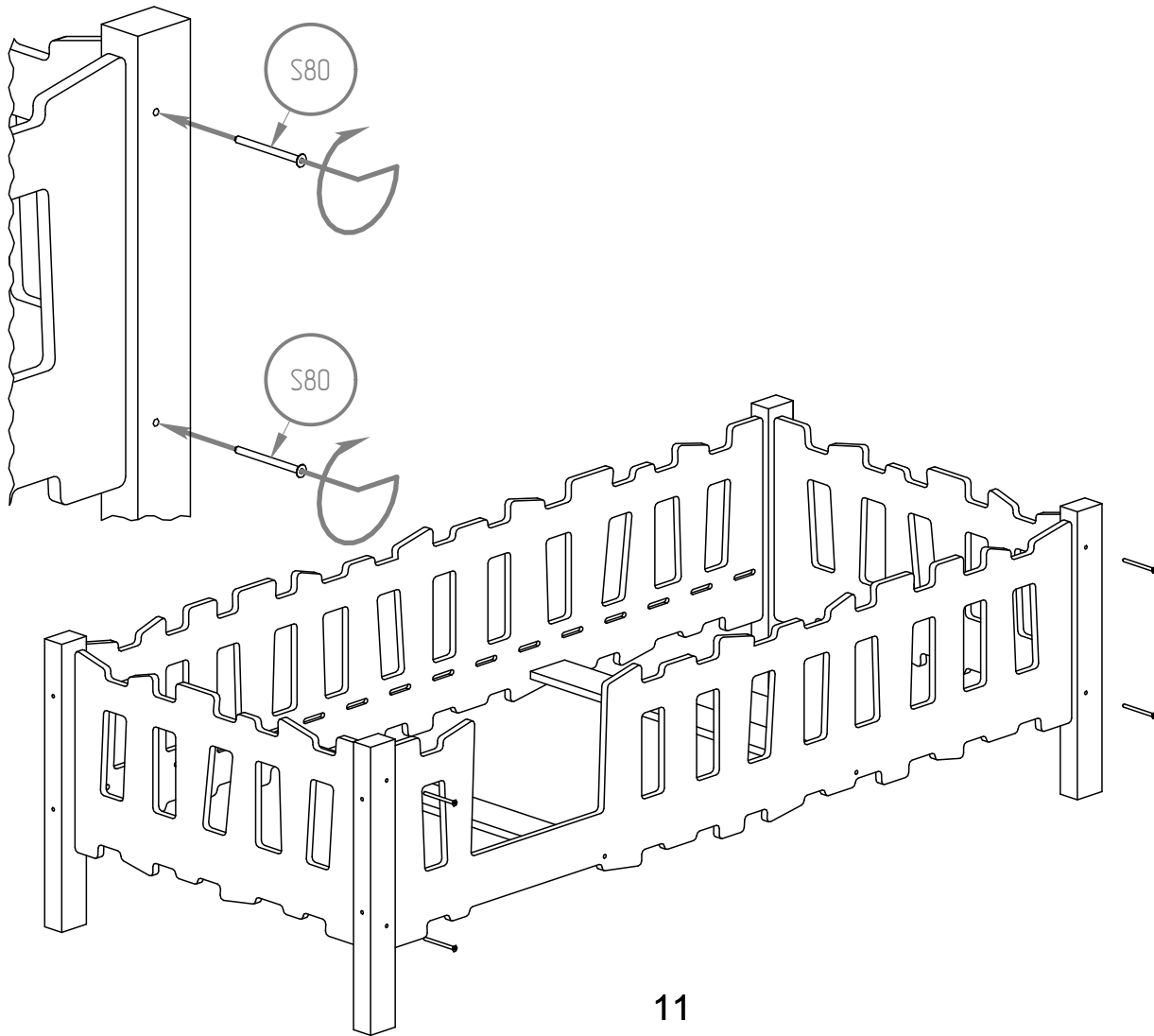


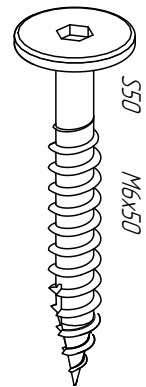
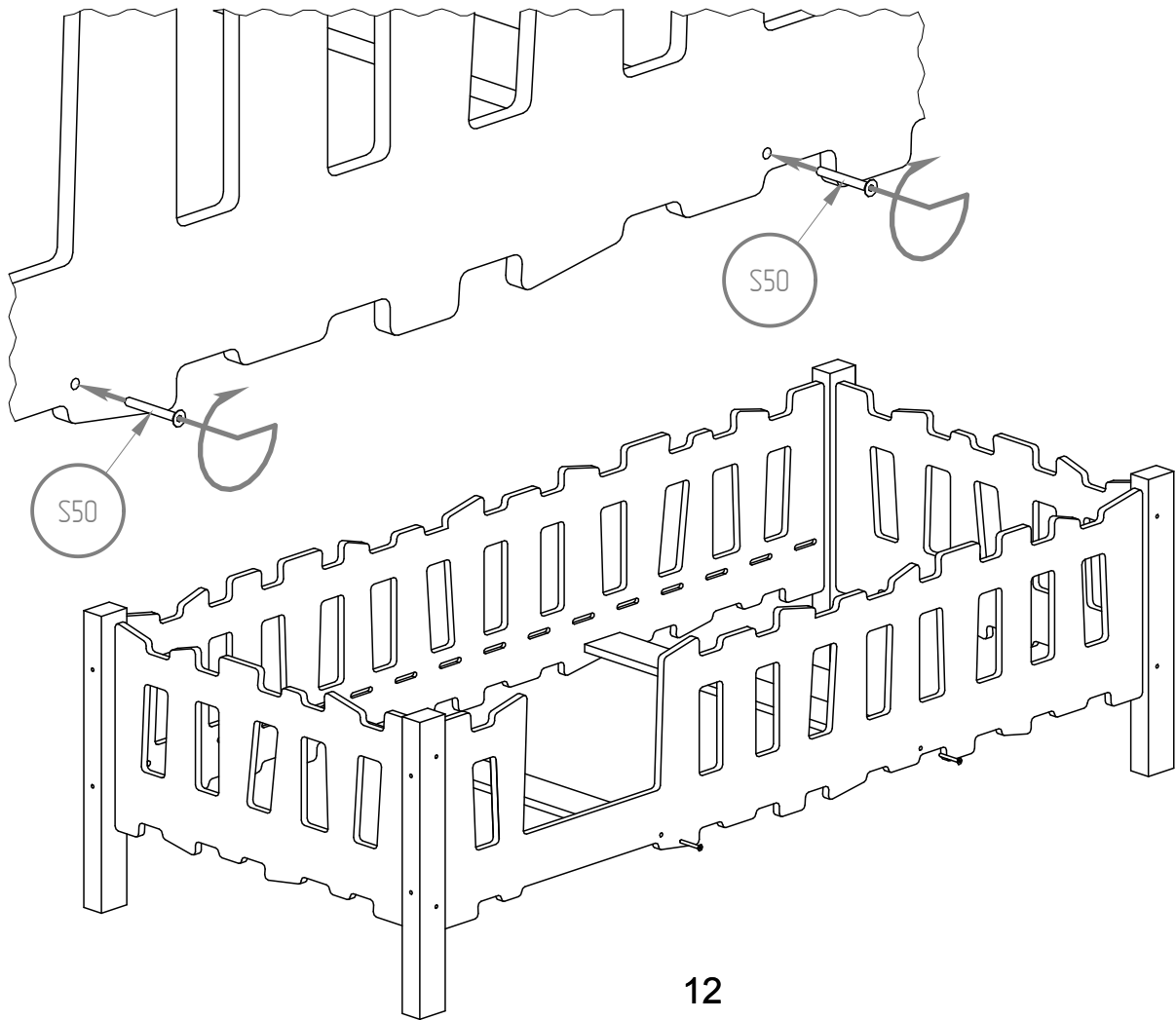
K8
M8x35

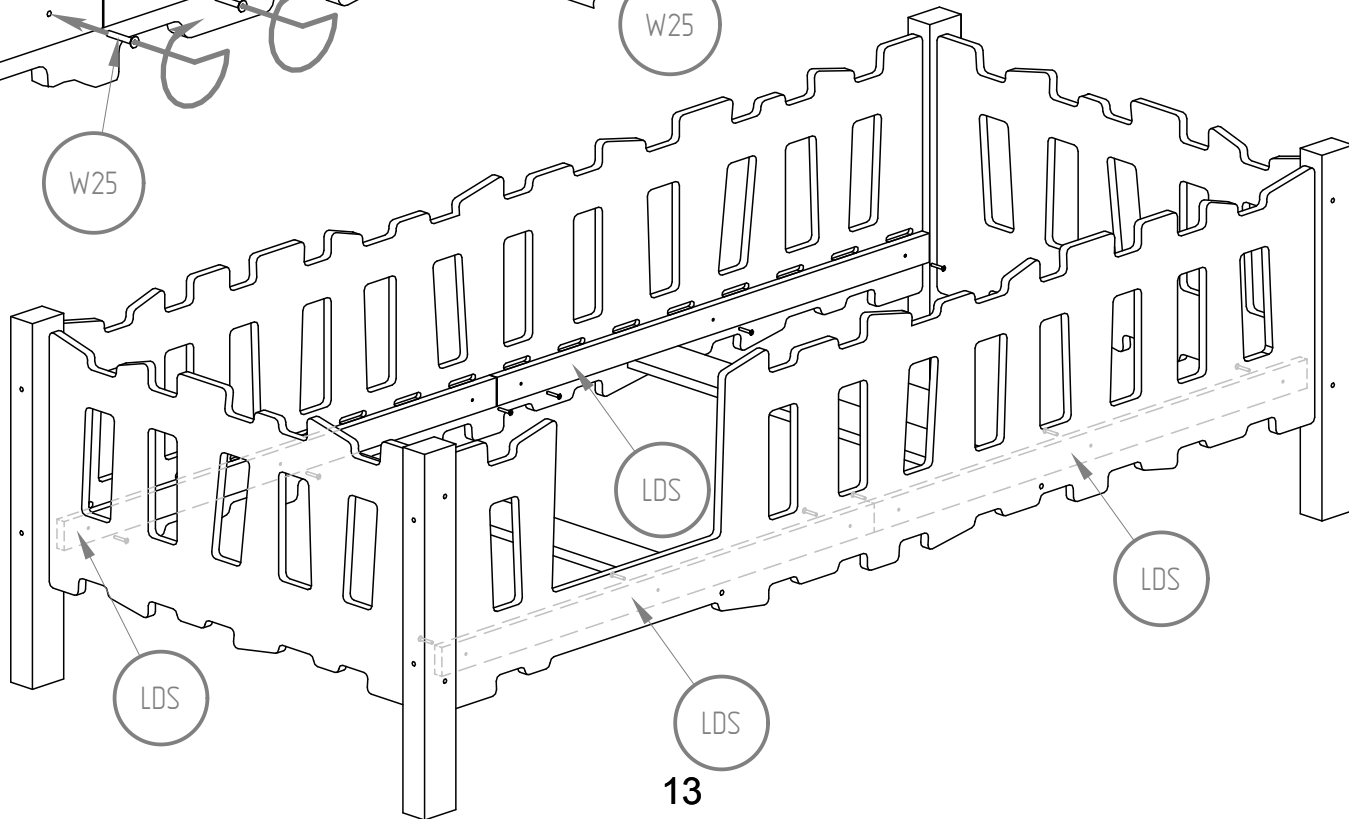
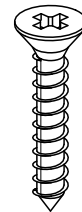
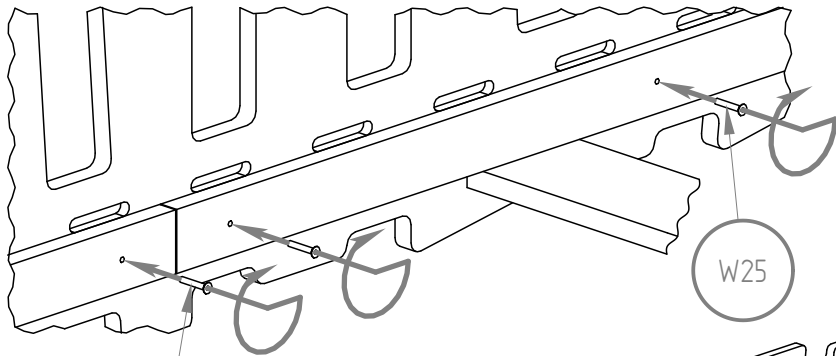


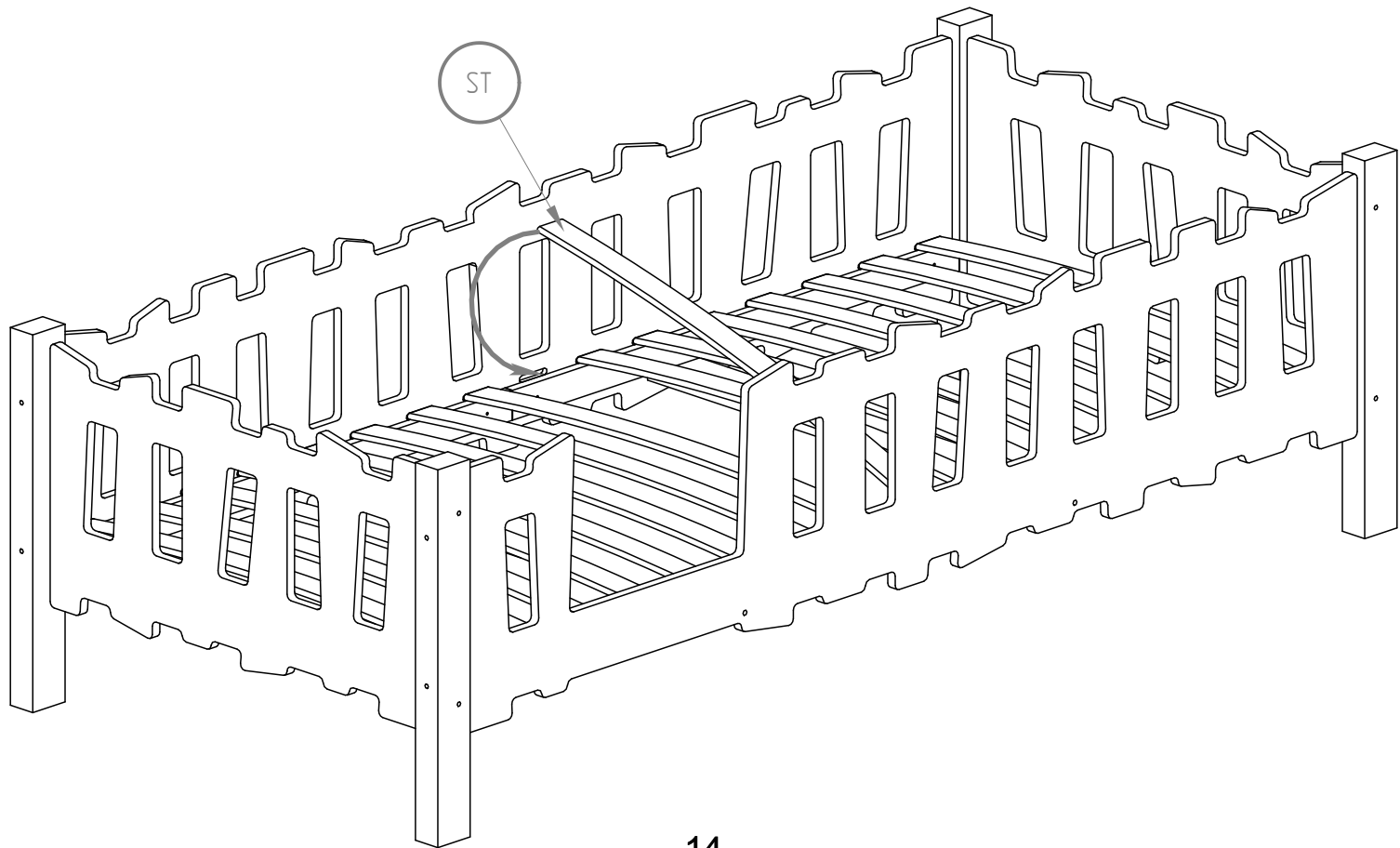




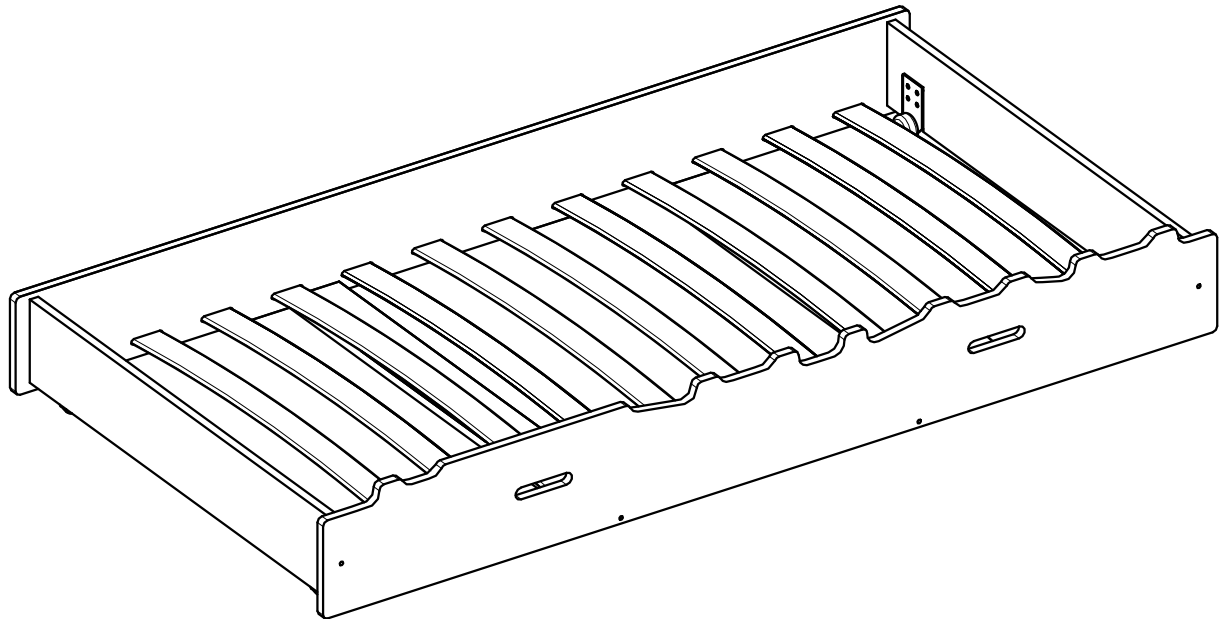


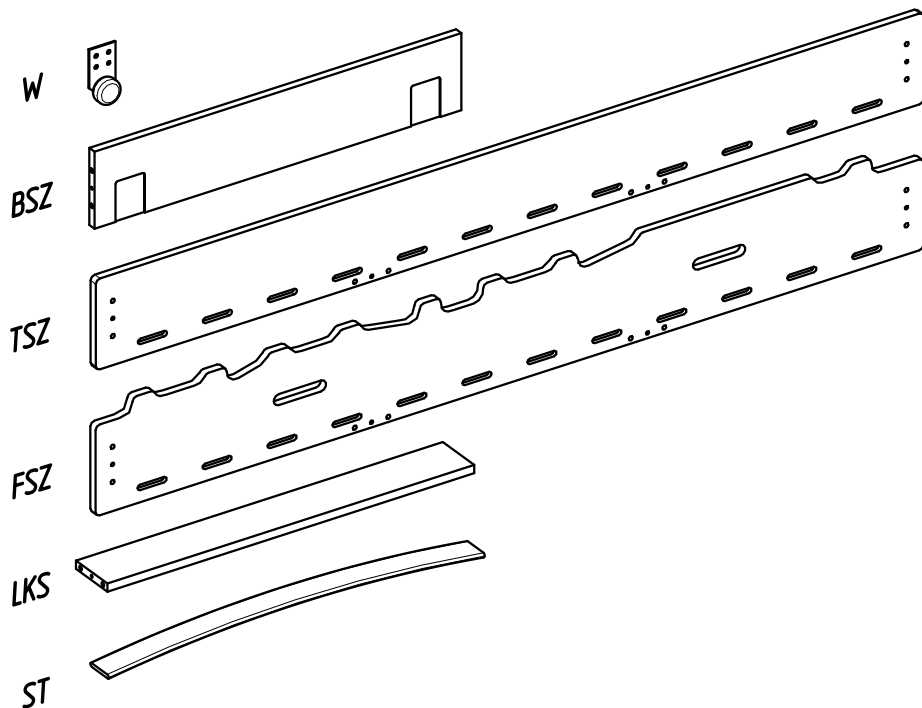






DRAWER





DRAWER

SCREWS

S50 - x8

K8 - x16

W13 - x16

ELEMENTS

W - x4

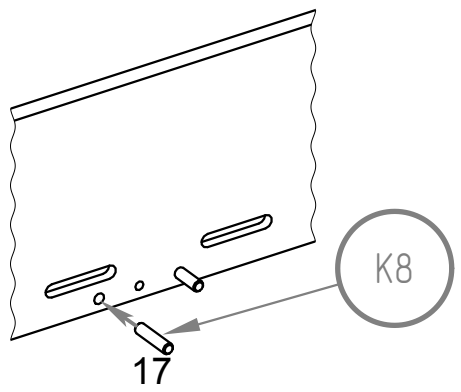
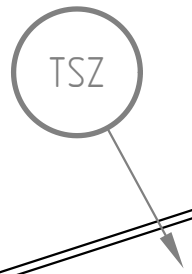
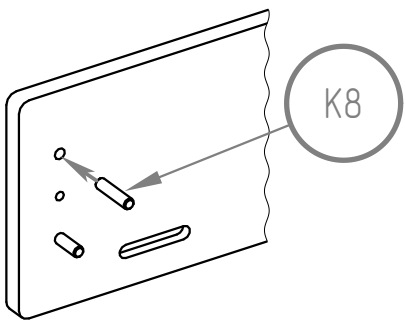
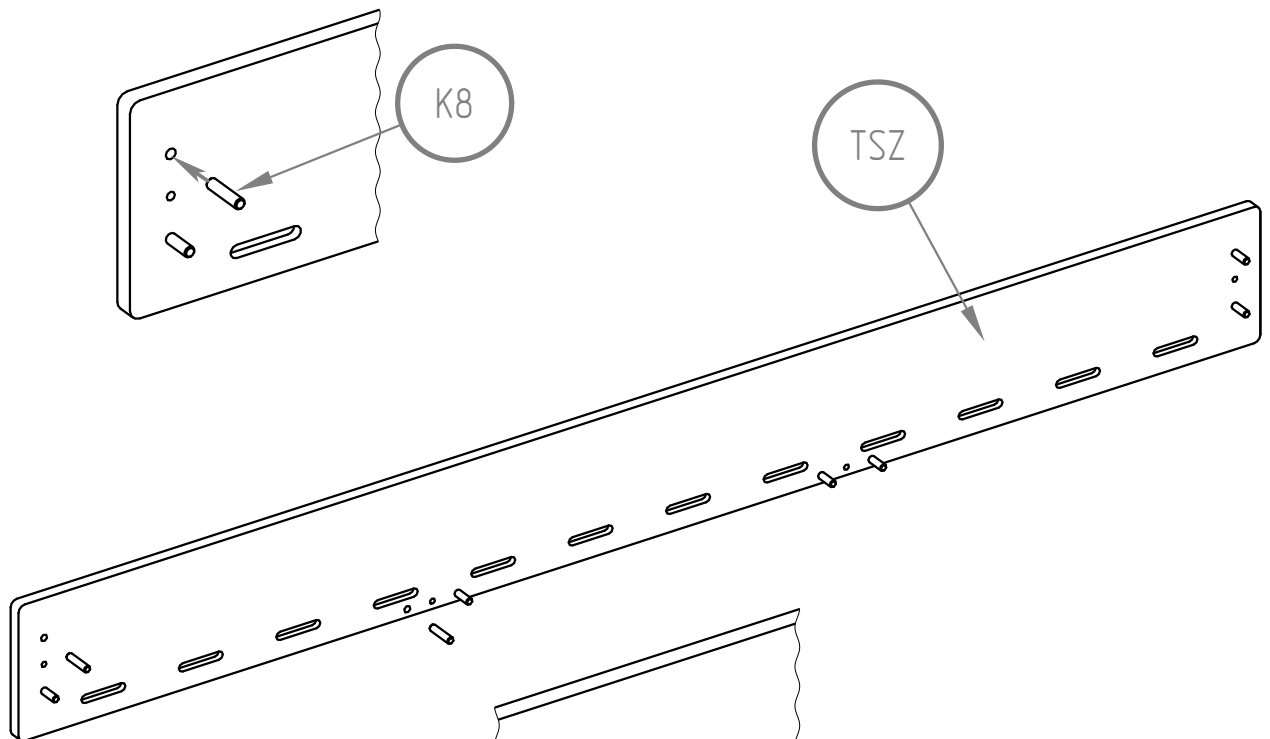
BSZ - x2

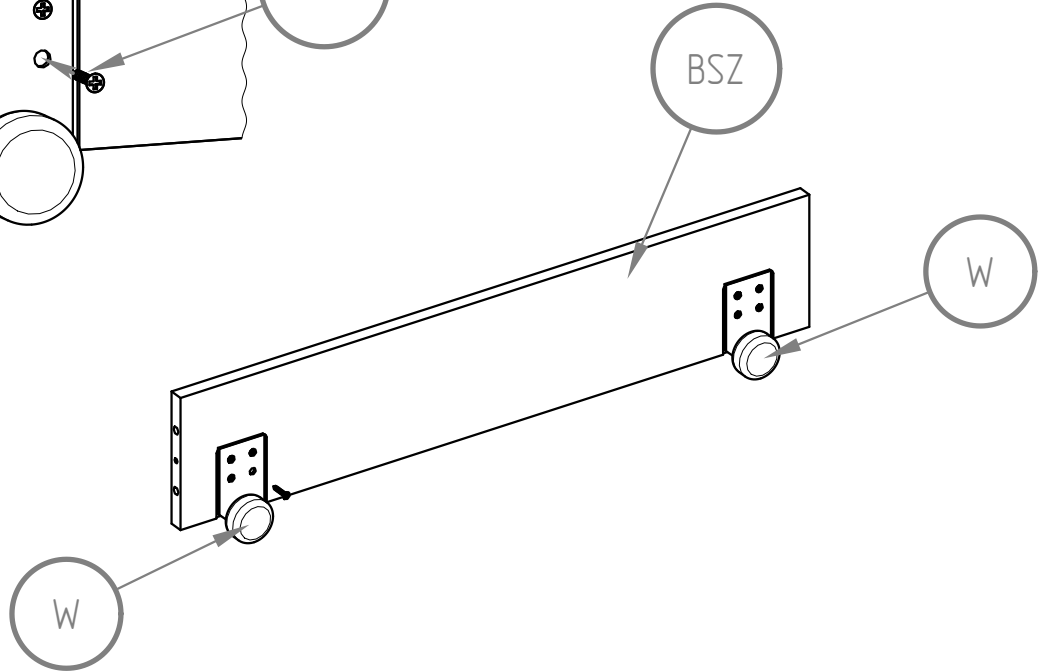
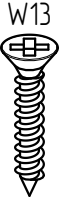
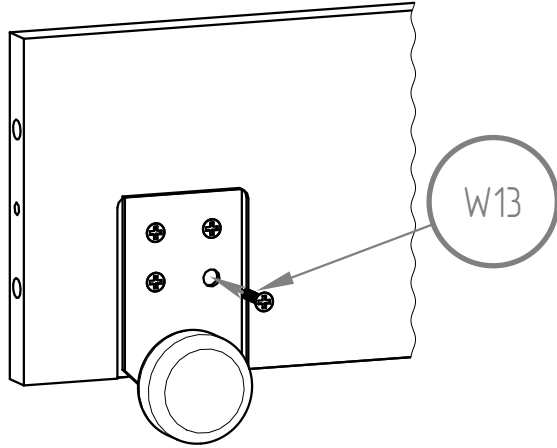
TSZ - x1

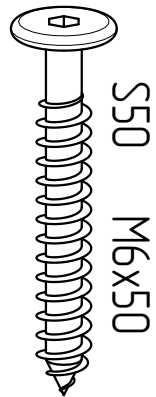
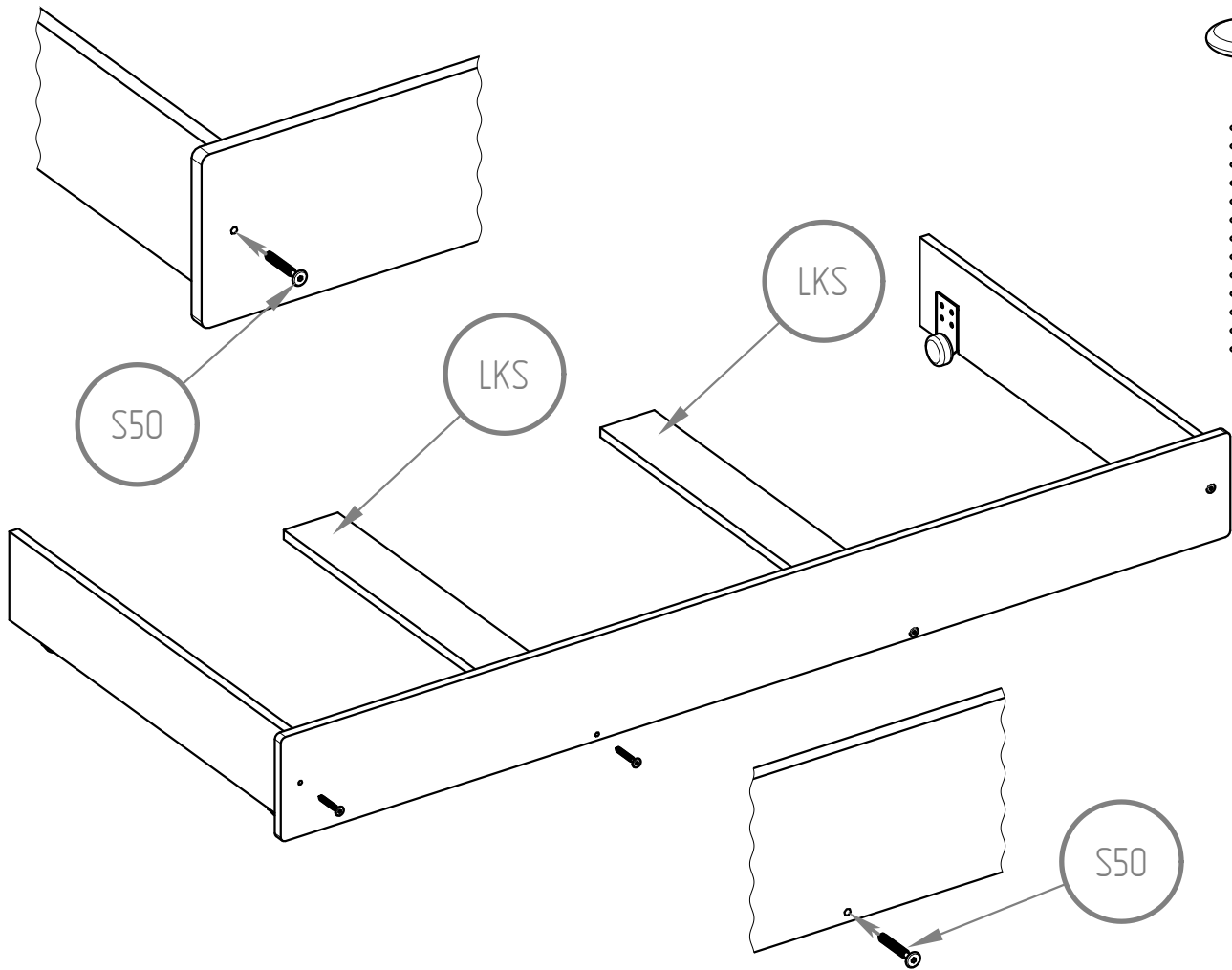
FSZ - x1

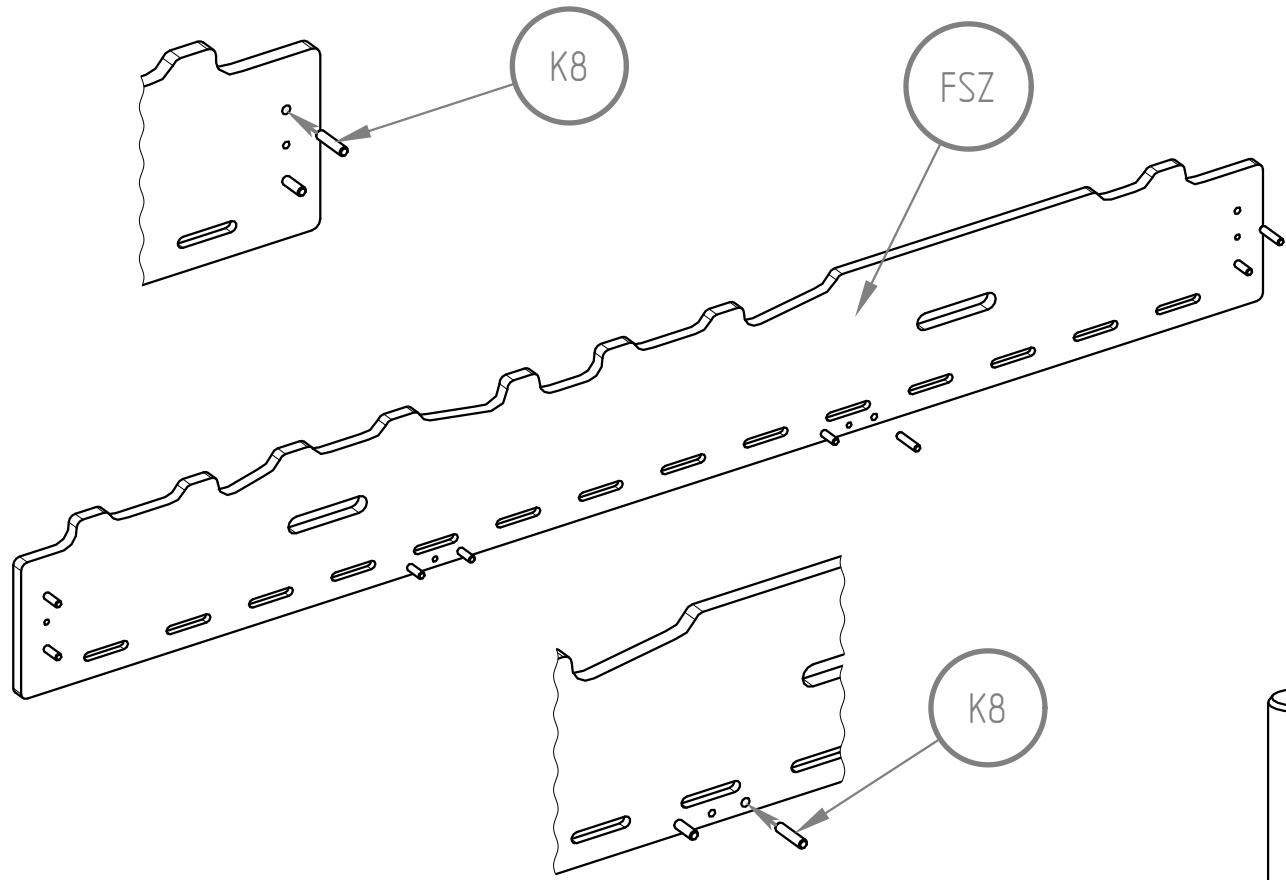
LKS - x2

ST - x12-14



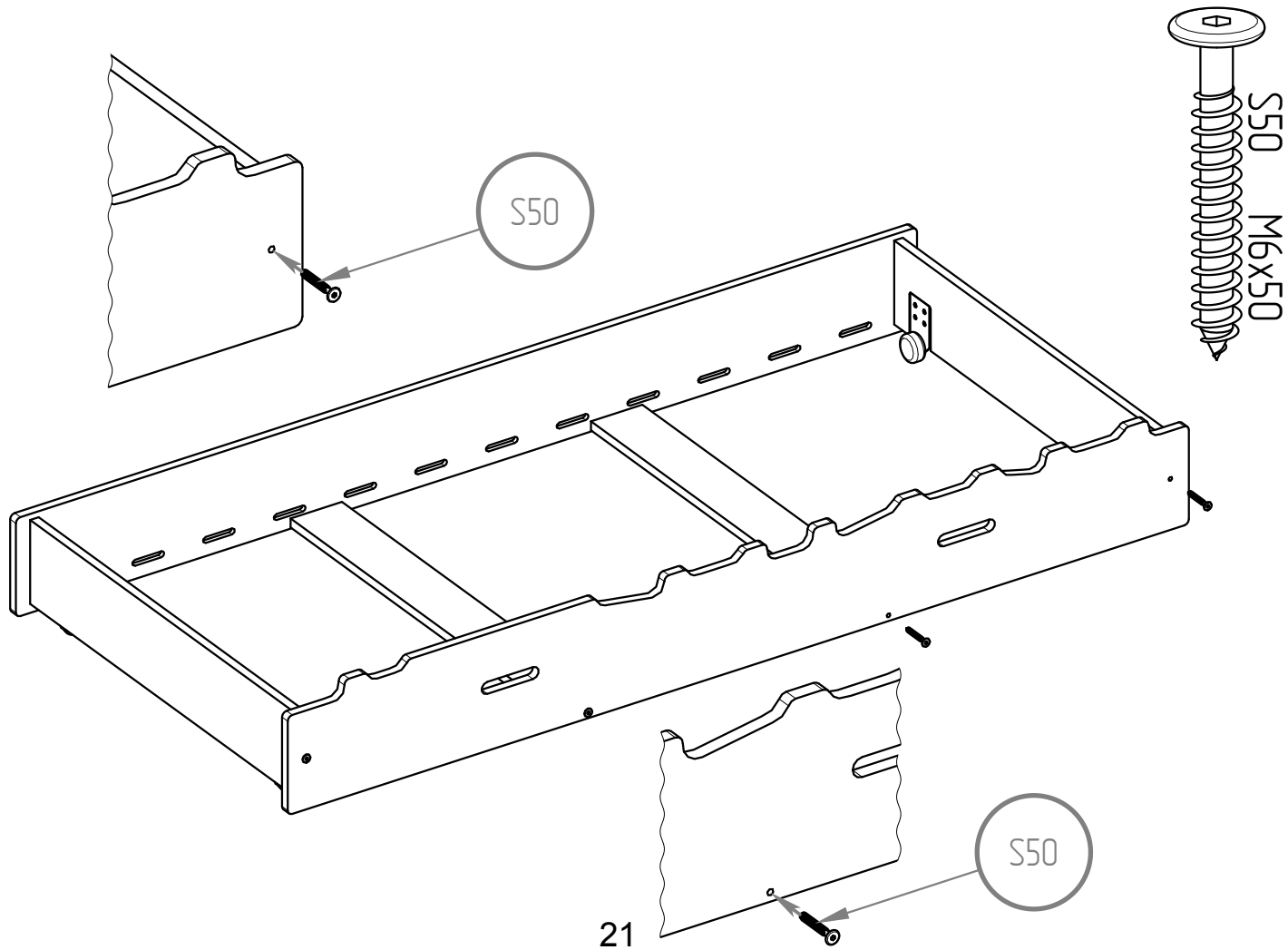


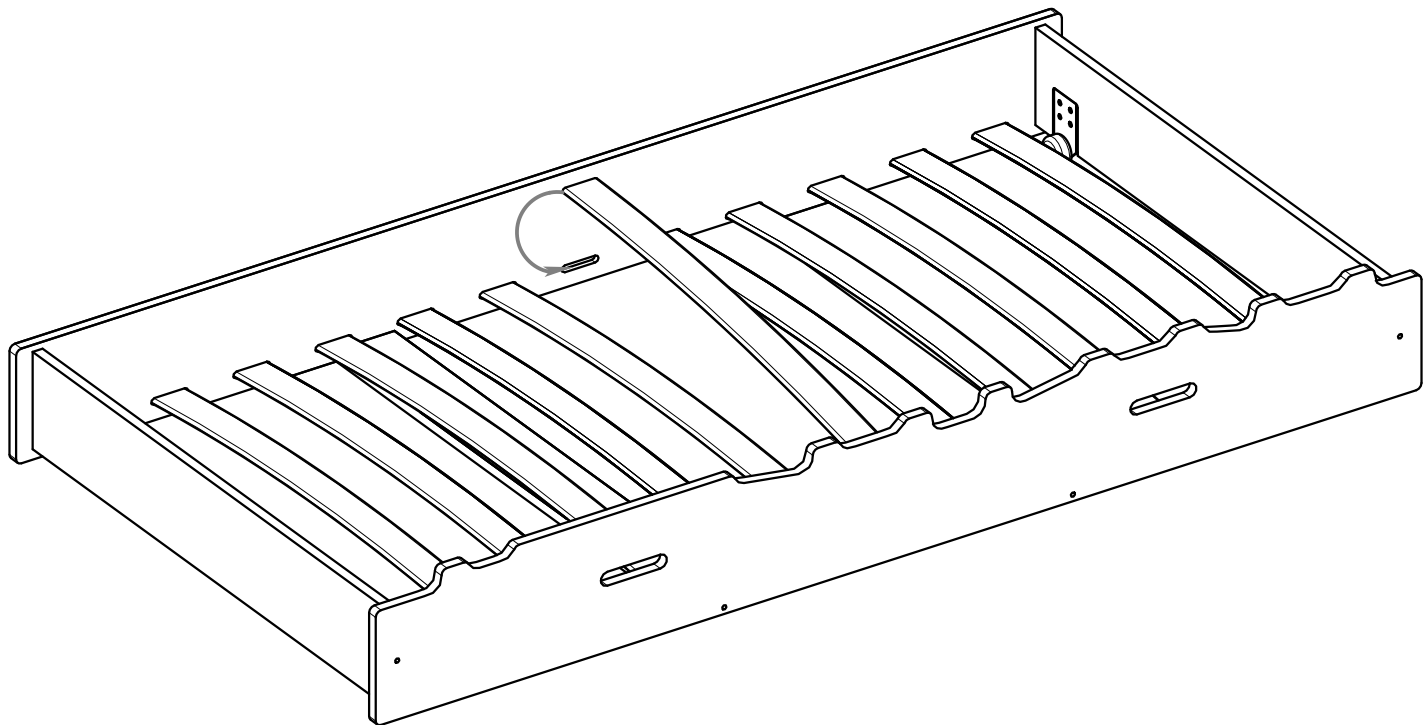




20







Assembly Manual **PETIT PUK**



Yeaah, great job!!

We hope you are happy with the results too! Don't forget to share a photo with us, it makes us incredibly happy to see the results in our mailbox or on instagram with #petitpuk

Please remember this:

- ♥ Use only mattress with thickness is 8-14 cm height.
- ♥ Beds are for sleeping, not for jumping
- ♥ Prohibit more than one person on the bunkbed.
Do not hang on construction components.
- ♥ Wooden and plastic parts should be cleaned with a dry cloth and ordinary, mild care and cleaning of raw wood
- ♥ Bed parts have a warrantee for 2 years under normal use.
If necessary, contact **PETIT PUK** indicating your name and order number, accompanied by photos's of the situation.

**PETIT
♥ PUK ♥**

www.petitpuk.com f [petitpuk](https://www.facebook.com/petitpuk)  [petitpuk](https://www.instagram.com/petitpuk)