






## Assembly Manual for ELENA

Congratulations on your new Petit Puk bed! Get ready to transform your kid's sleeping space into a fortress of imagination, a castle of coziness, and a launchpad for their sweetest dreams! When you follow this step-by-step assembly, you'll breeze through the process.

Quick Checklist:

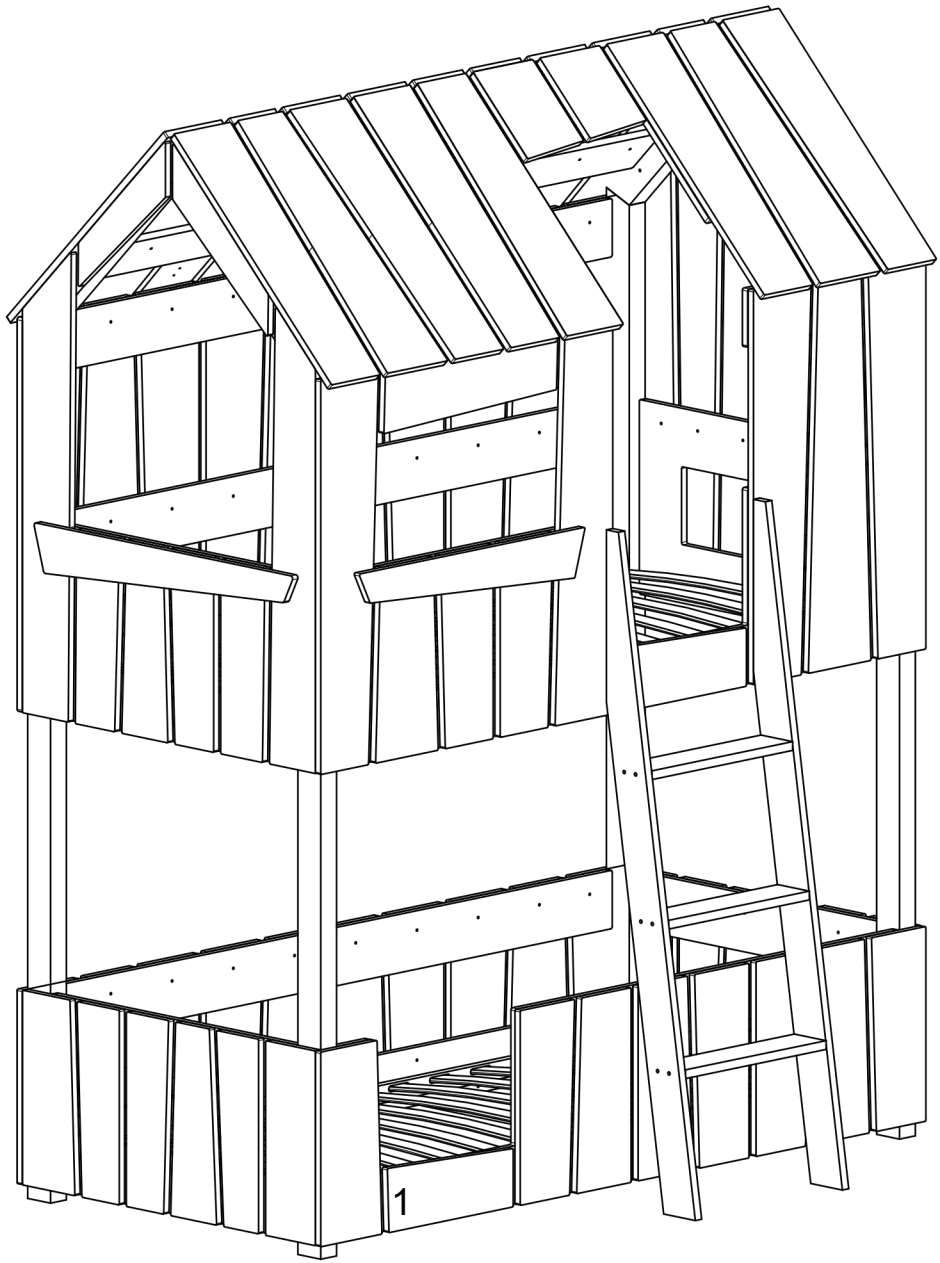
-  Is everything complete?
-  All pieces in good shape?
-  Do no start adding glue before you made sure all pieces are there and in perfect shape
-  Note! Applying glue to the bed base is **not** mandatory, as it could hinder the disassembly process later on. Let's keep things flexible for future adventures!
-  Ready to take a photo of your great work once completed and share with us?

Ticked all the boxes? Put on your superhero cape, and let's dive into the wonderful world of bed building.

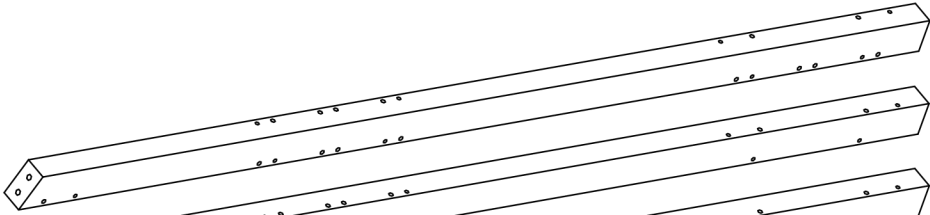
Big wave,  
Team Petit Puk

**Questions?** Reach out via [customercare@petitpuk.com](mailto:customercare@petitpuk.com)

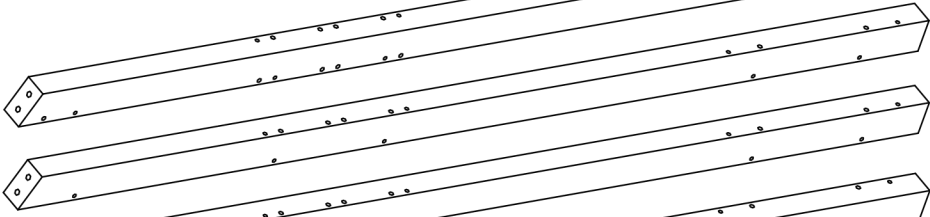
**Compliments?** Tag us on instagram @petitpuk



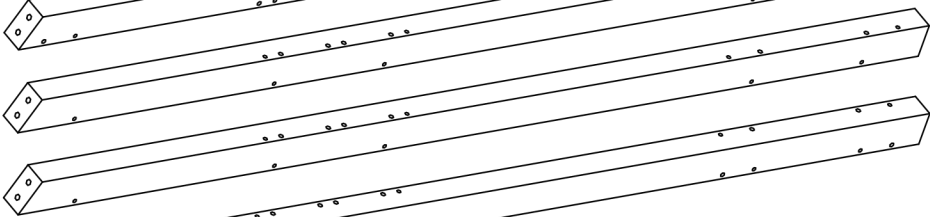
NLP



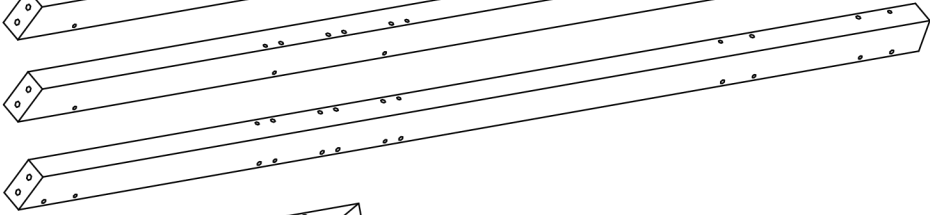
NLT



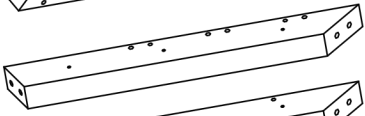
NPP



NPT



SLP



SLT



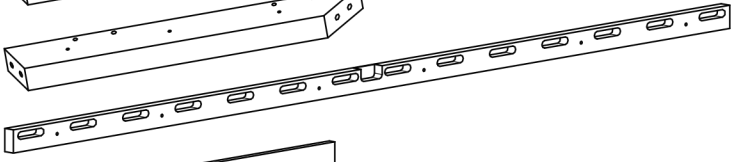
SPP



SPT



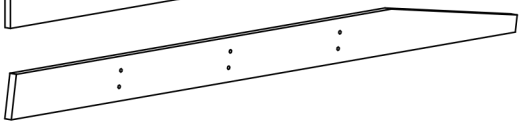
LDS



LKS



DR



SCH



ST



NLP - x1

NLT - x1

NPP - x1

NPT - x1

SLP - x1

SLT - x1

SPP - x1

SPT - x1

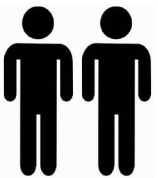
LDS - x4

LKS - x4

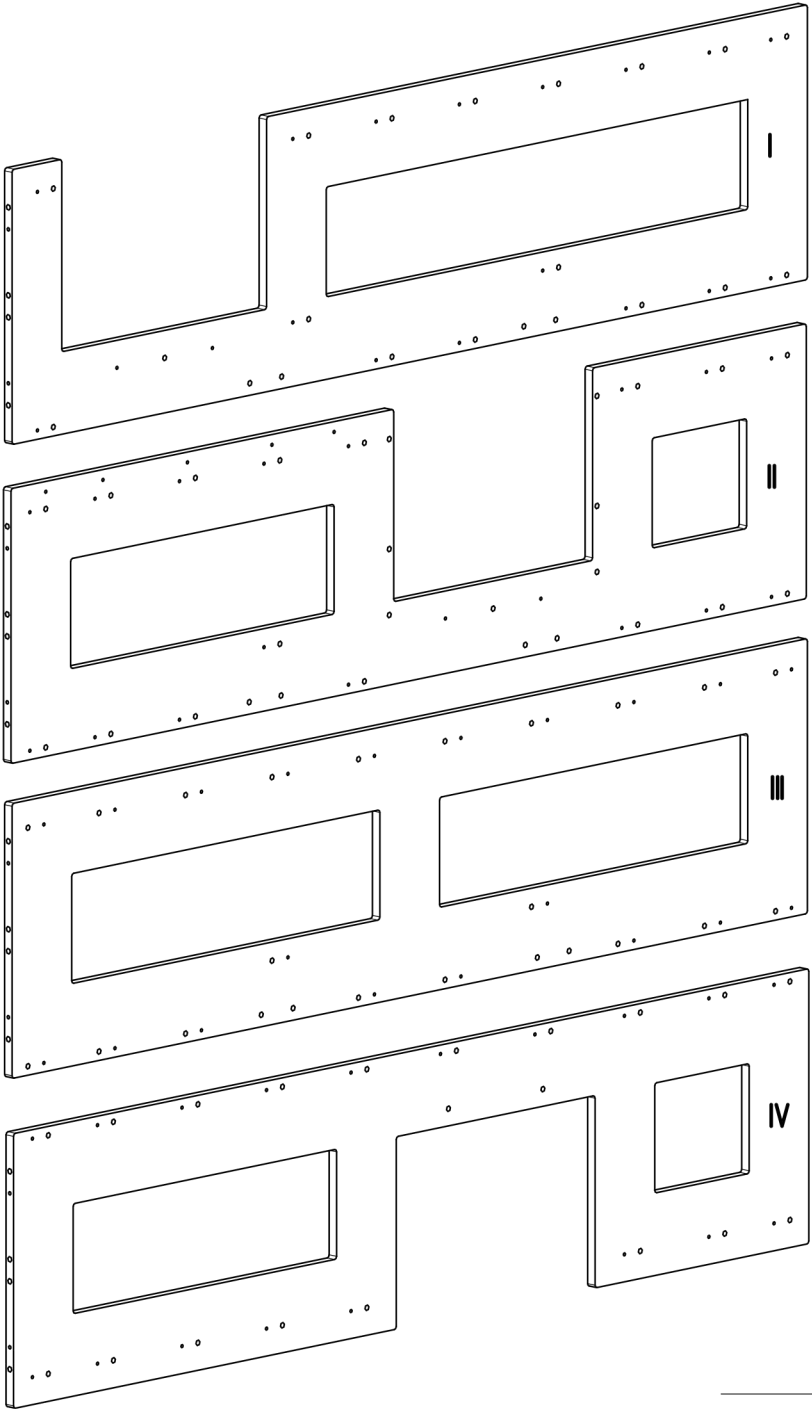
DR - x2

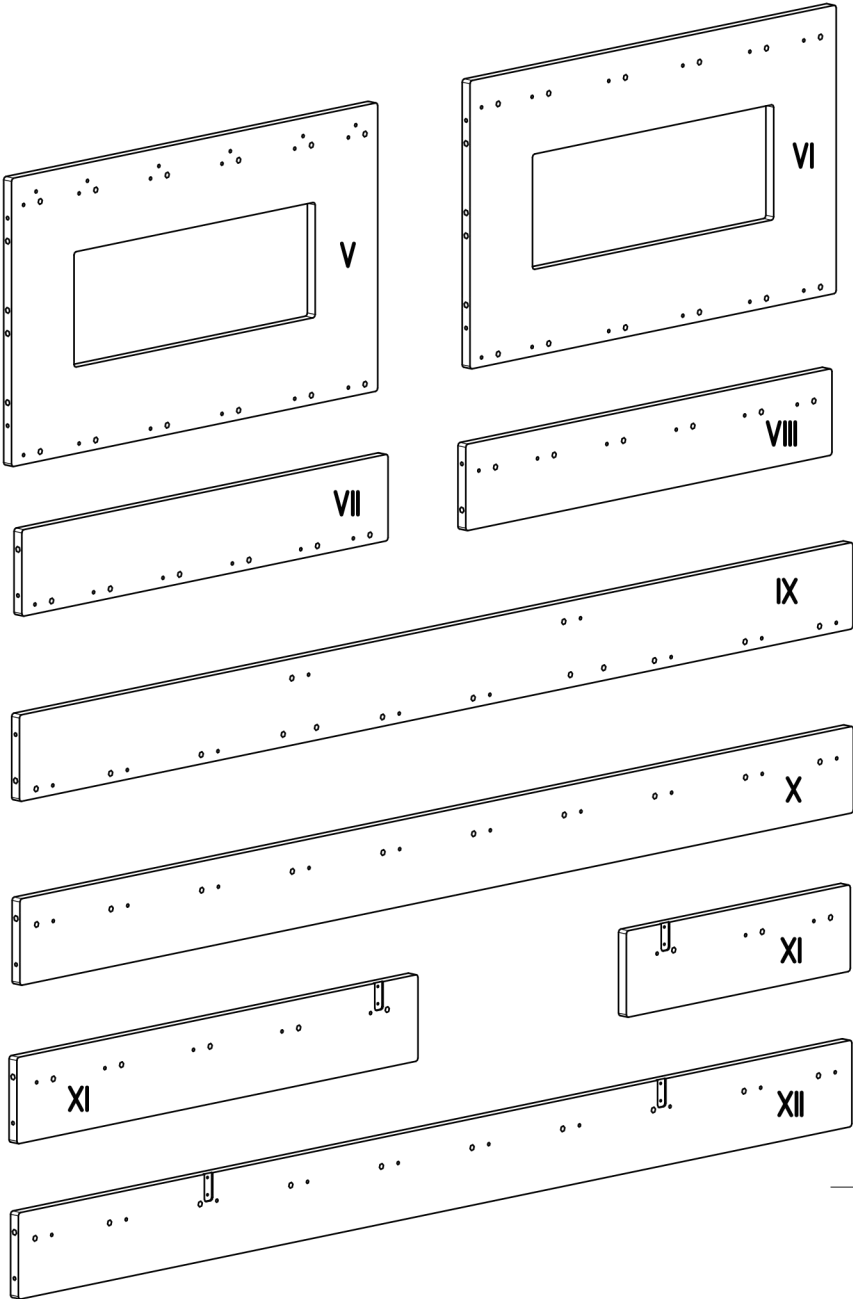
SCH - x3

ST - x24-32

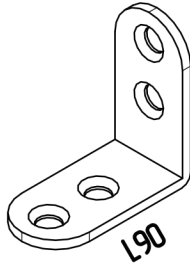
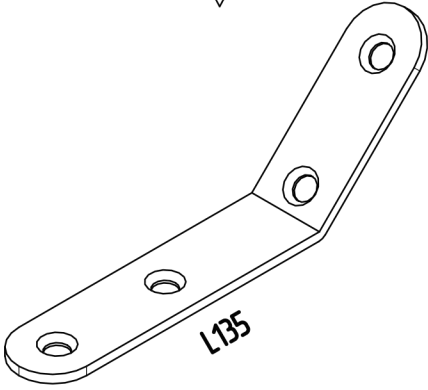
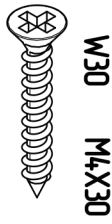
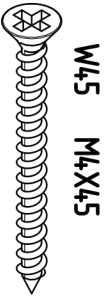
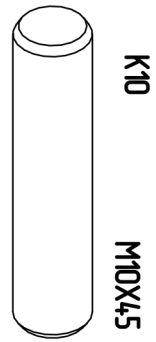
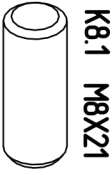
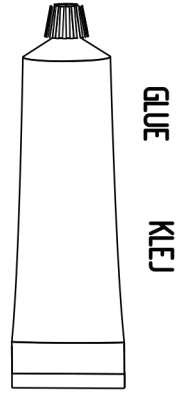
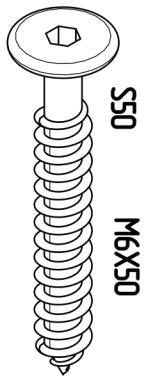
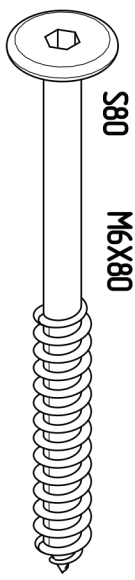
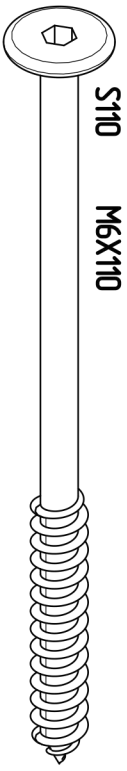


Recommended assembly by 2 person



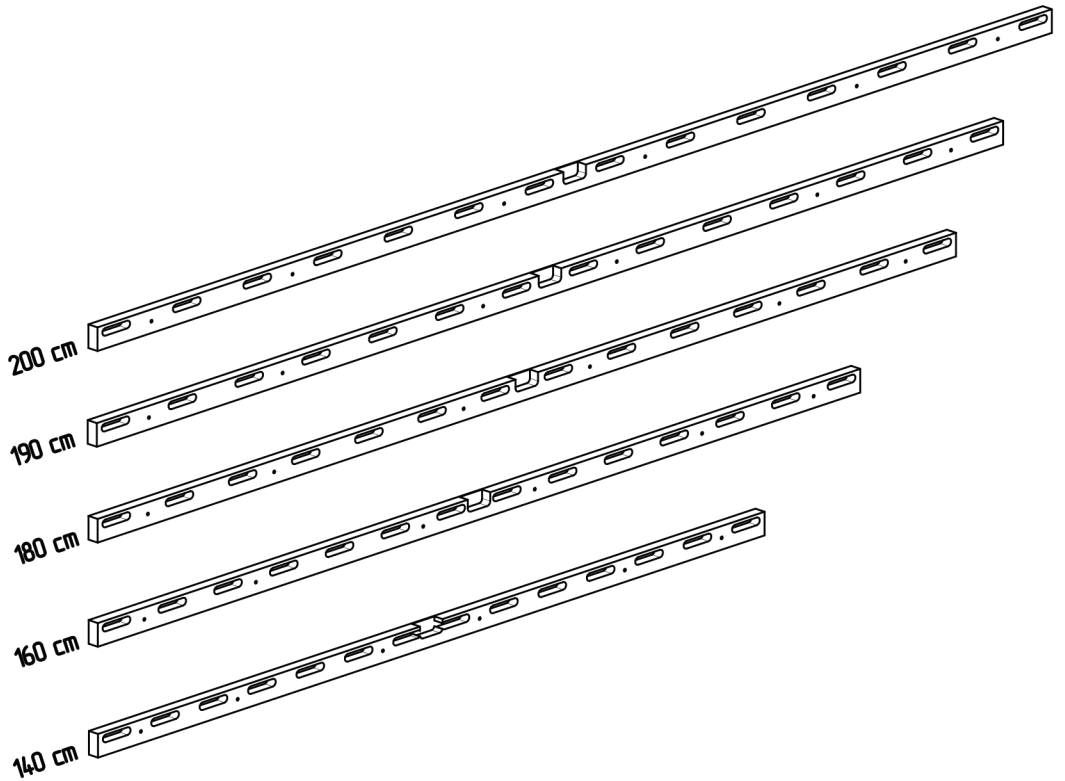


- V - x1
- VI - x1
- VII - x1
- VIII - x1
- IX - x1
- X - x3
- XI - x1
- XII - x1



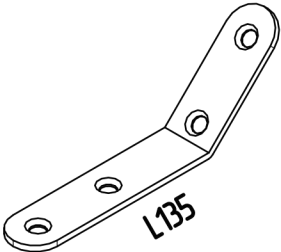
- S110 - x16
- S80 - x28
- S50 - x34
- W60 - x12
- W45 - x11
- W30 - x204
- W13 - x28
- K10 - x12
- K8 - x68
- K8.1 - x178
- L135 - x4
- L90 - x3
- GLUE - x1

# Quantity of holes for mattress bar and number of ST part

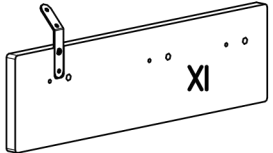
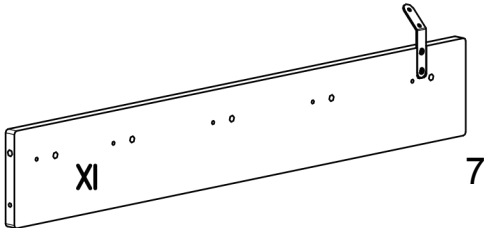
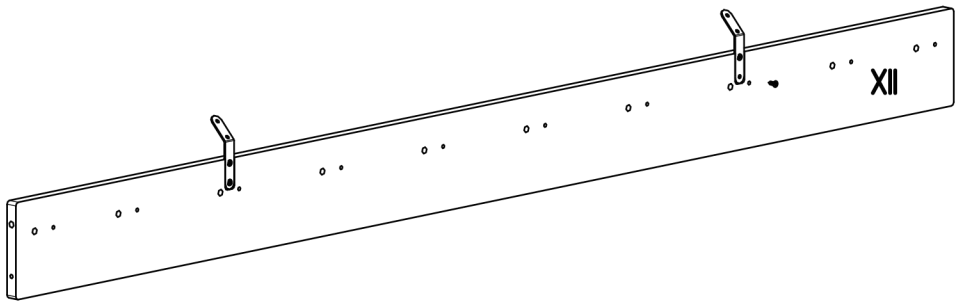
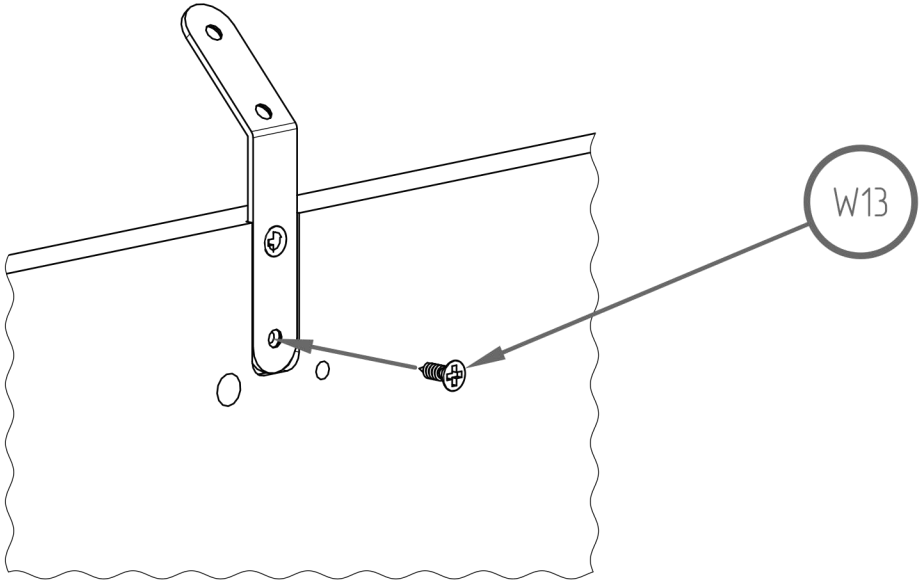


Lenght	QT	ST
200 cm	16	16
190 cm	16	16
180 cm	14	14
160 cm	14	14
140 cm	12	12

Attach these items before assembling the bed



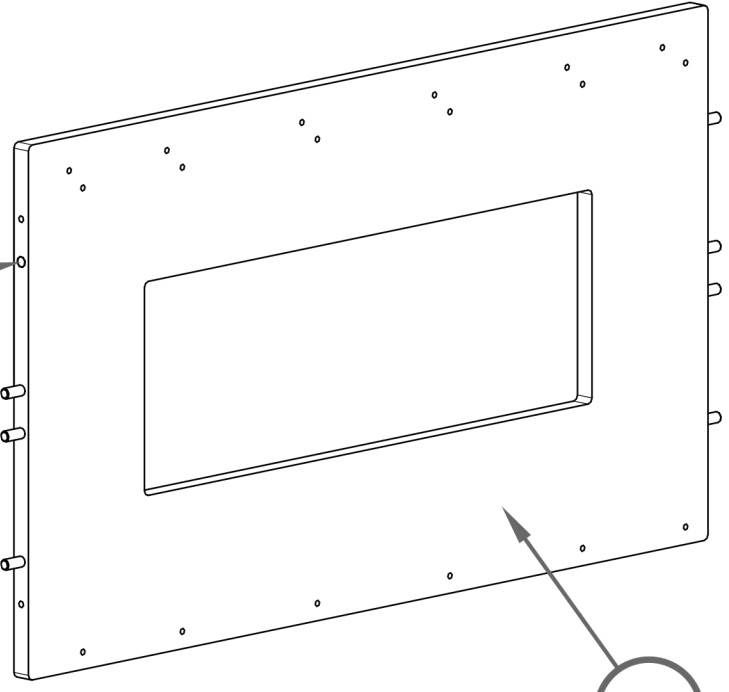
W13 M4X13







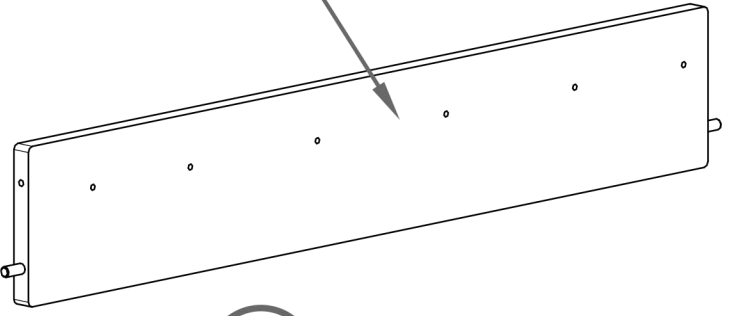
K8



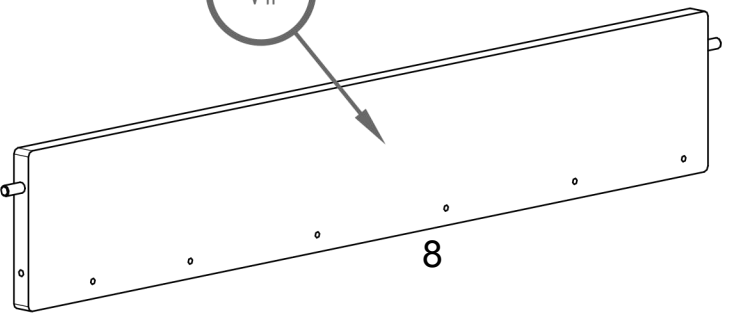
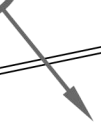
V

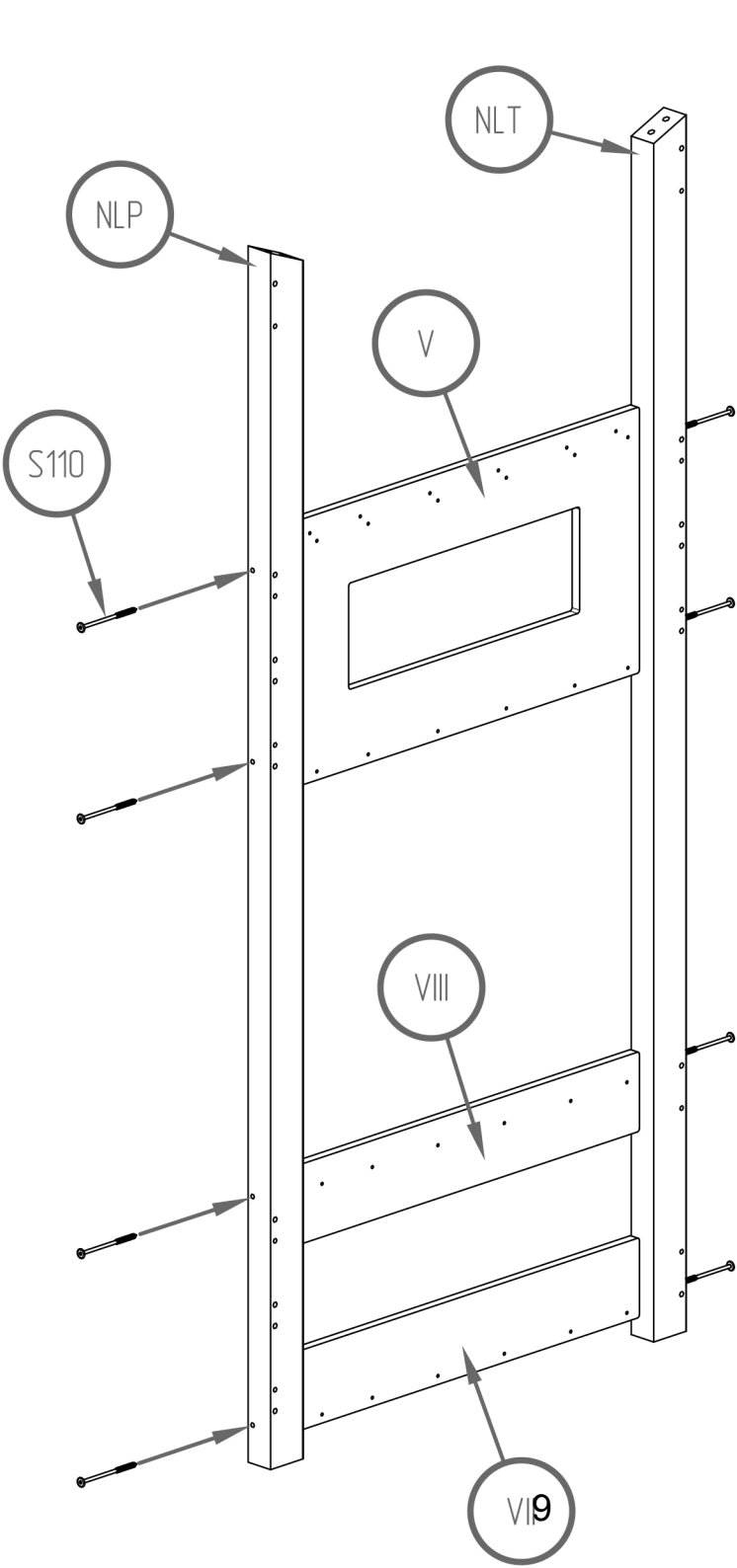


VIII



VII



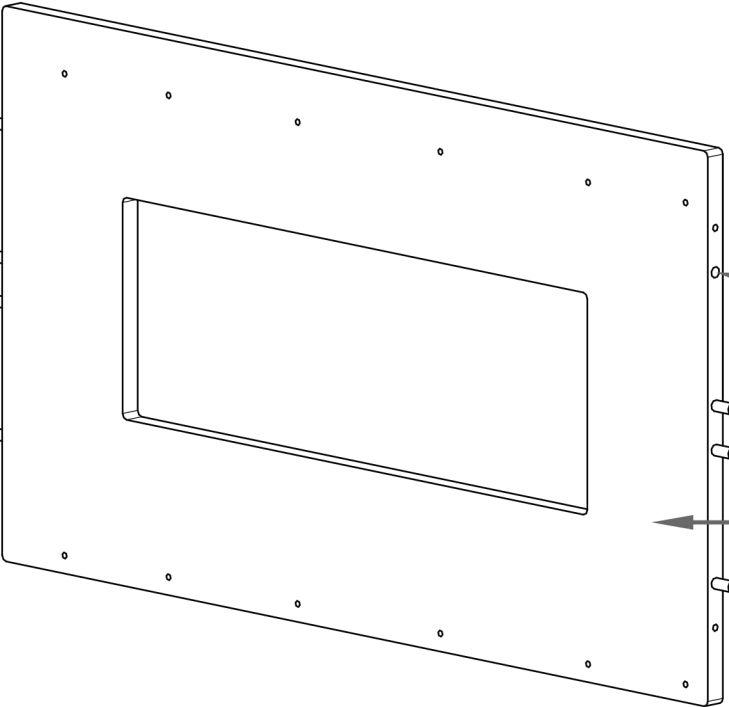




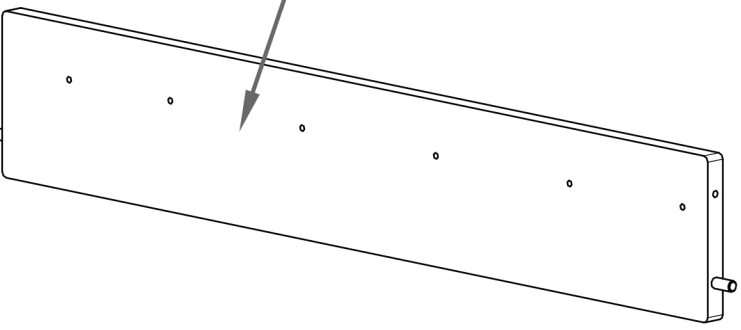
K8



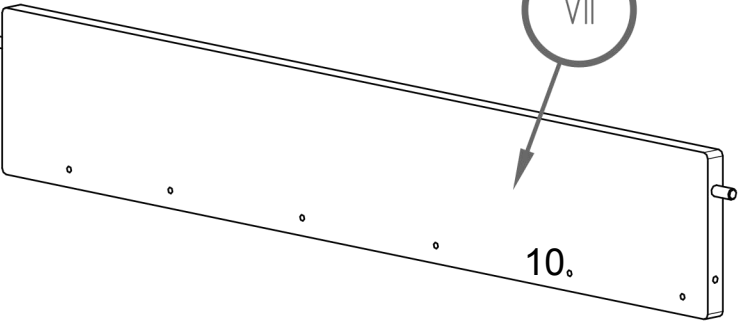
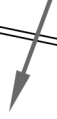
VI



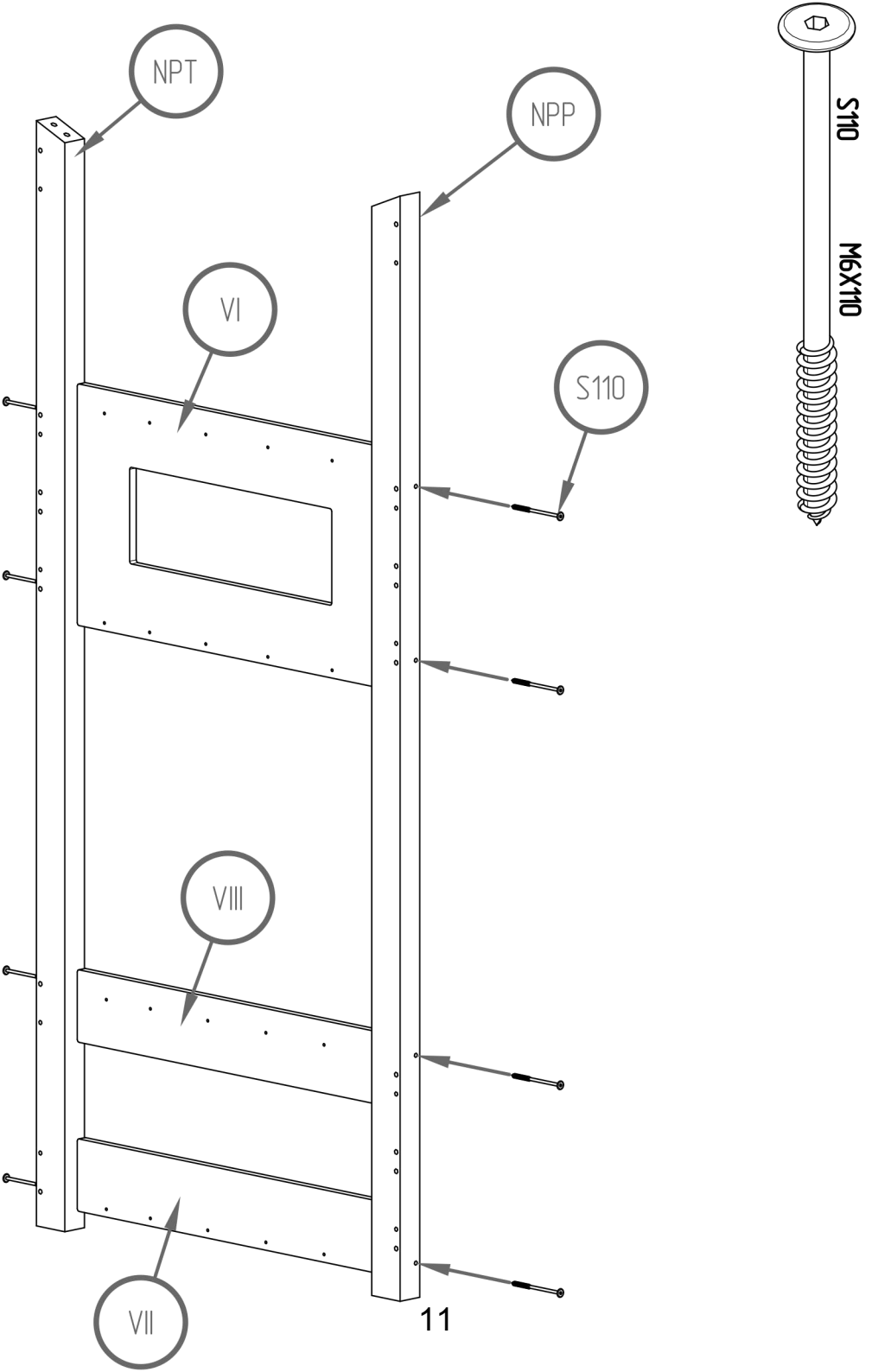
VIII

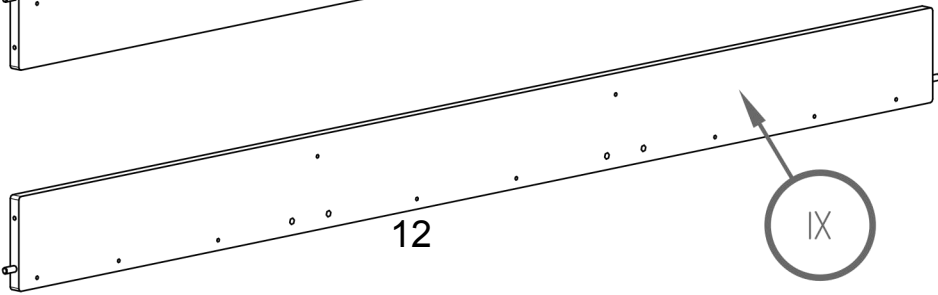
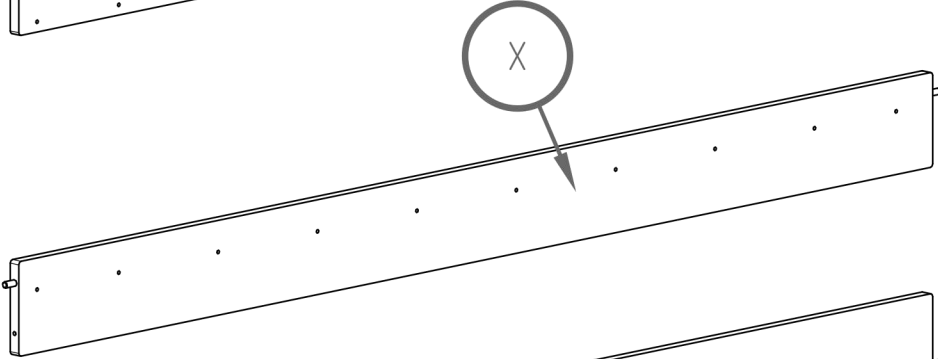
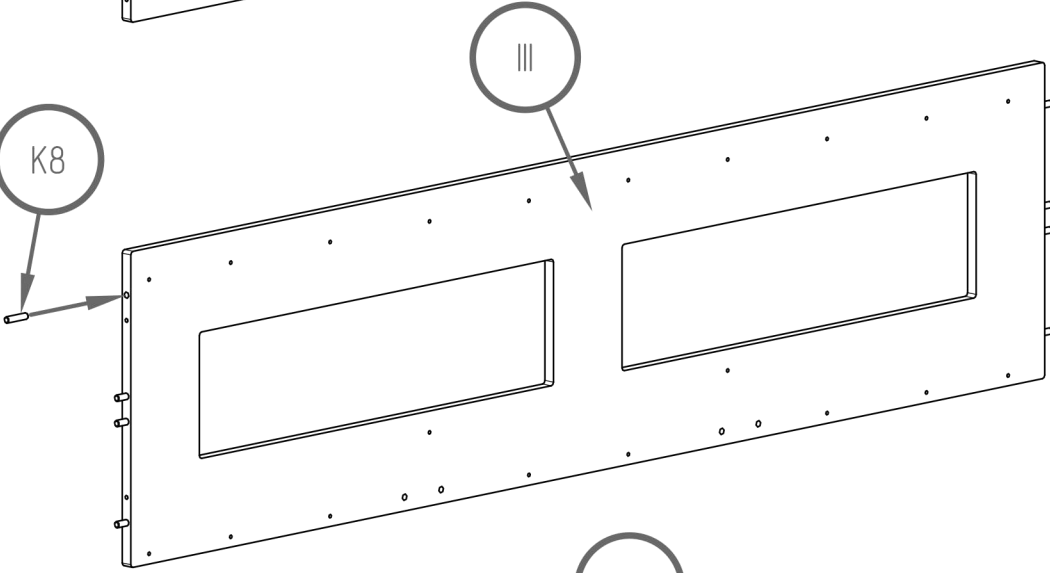
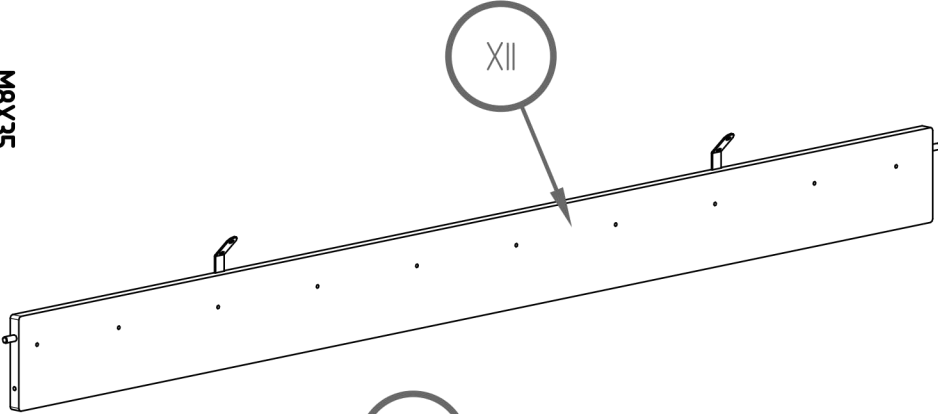


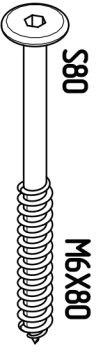
VII



10.

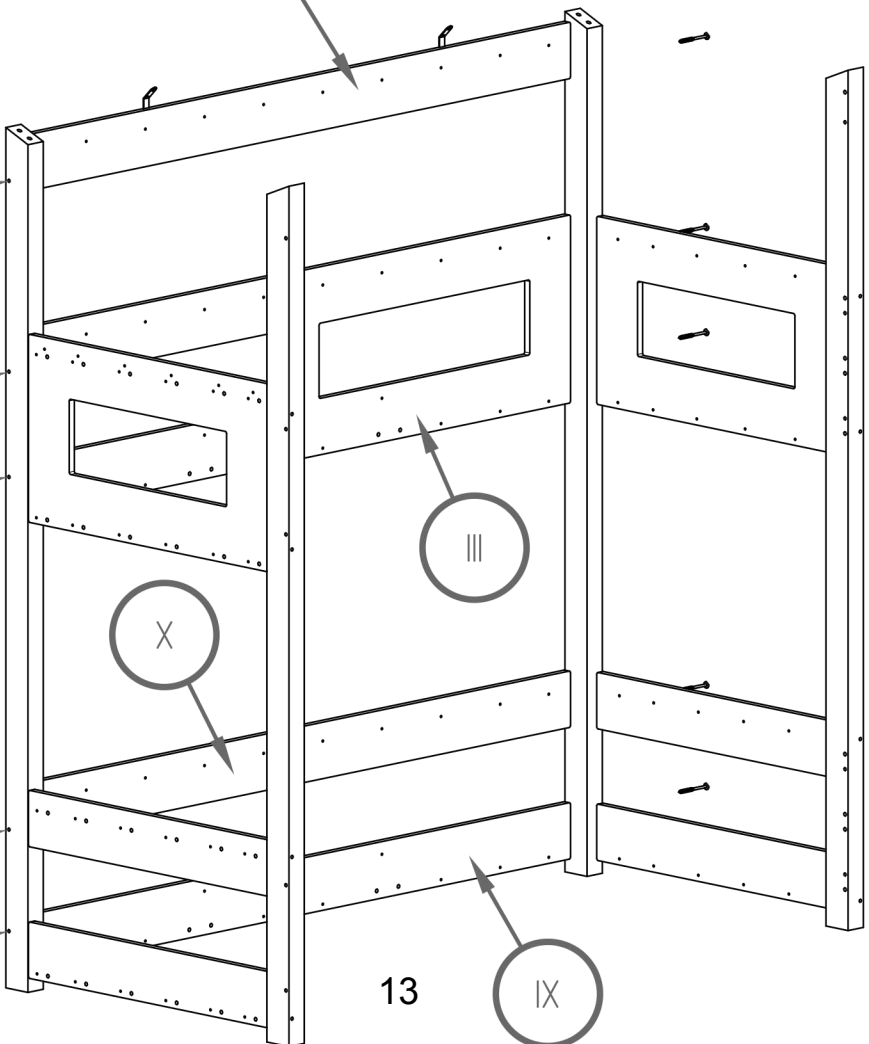






S80

XII



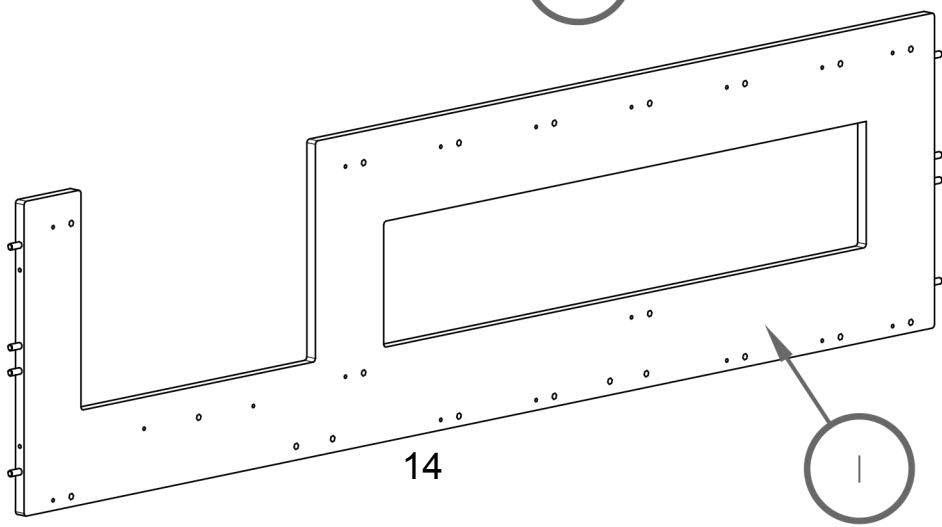
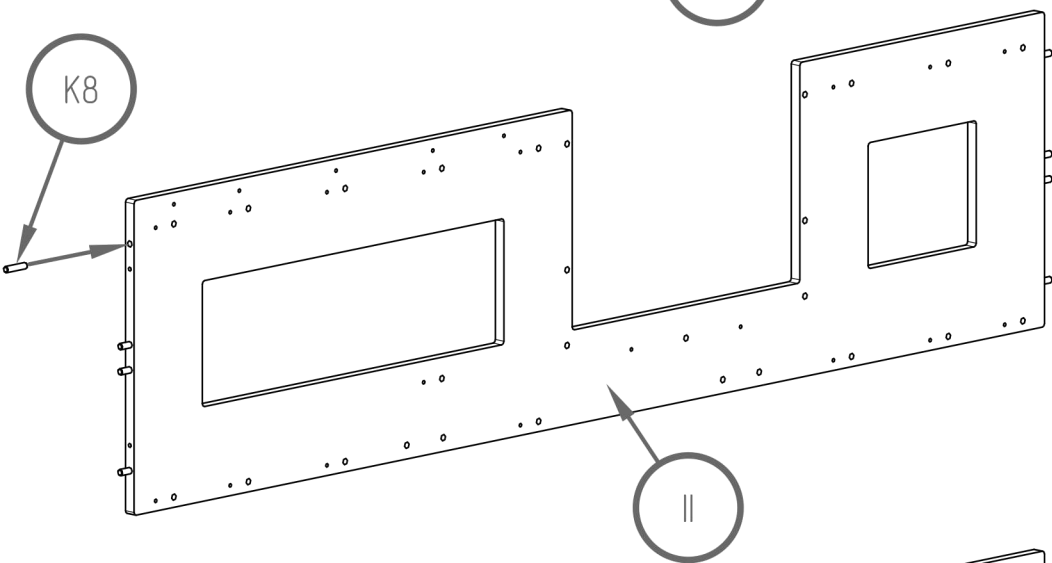
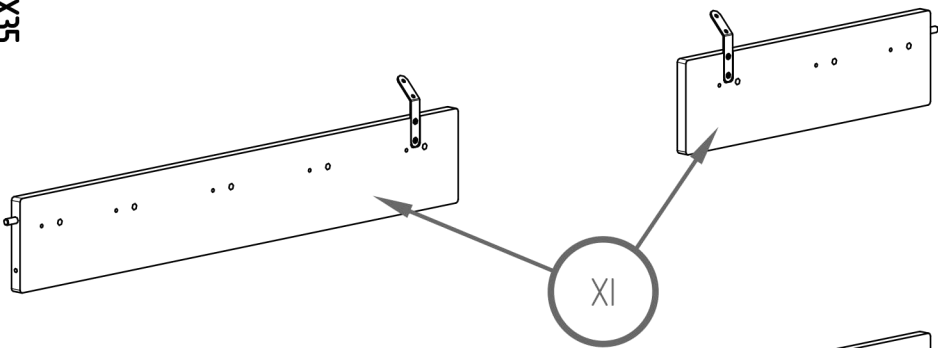
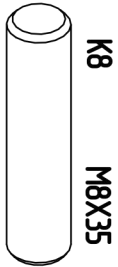
X

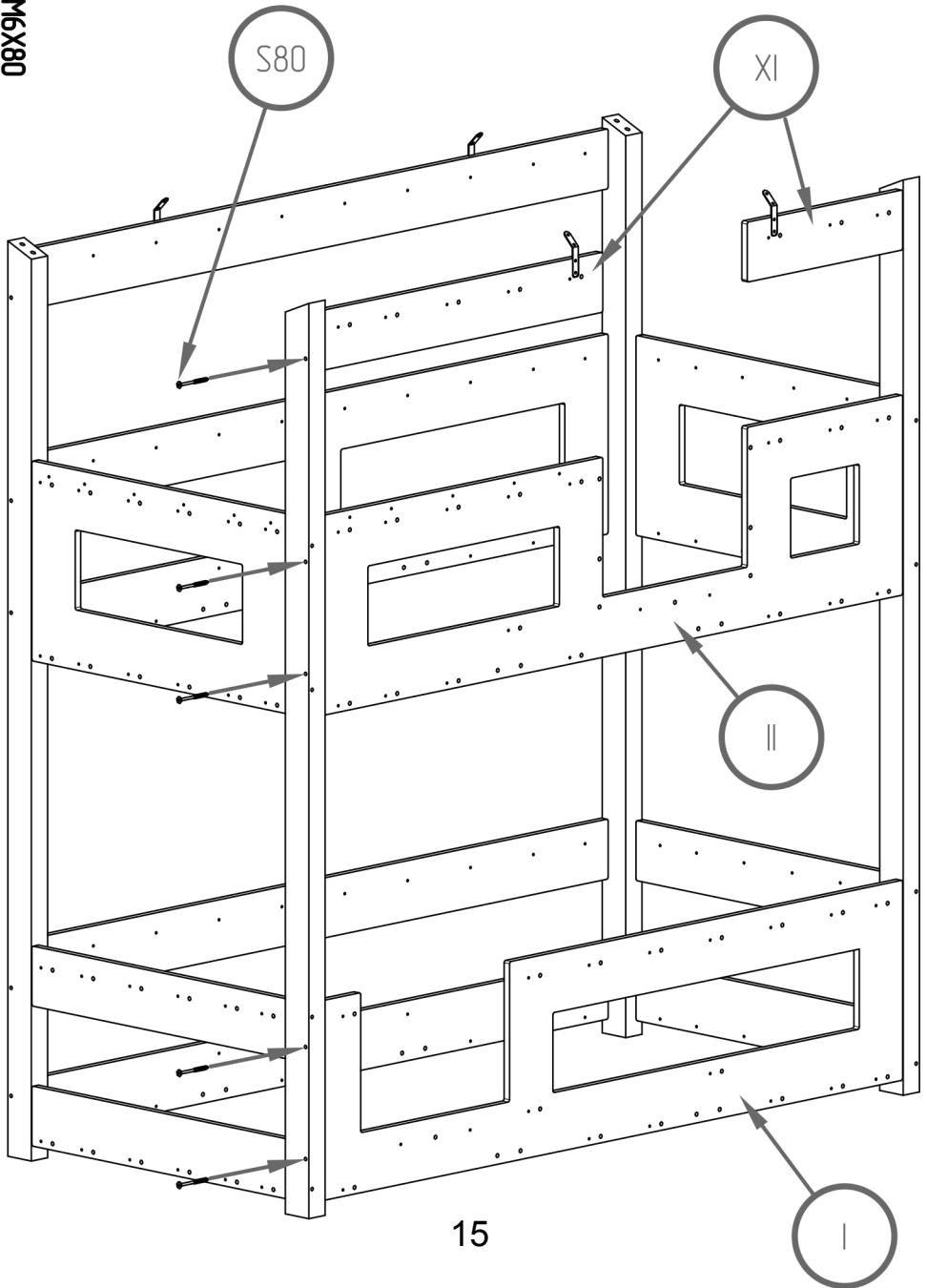
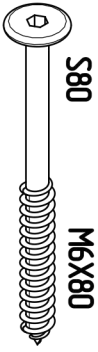
III

IX

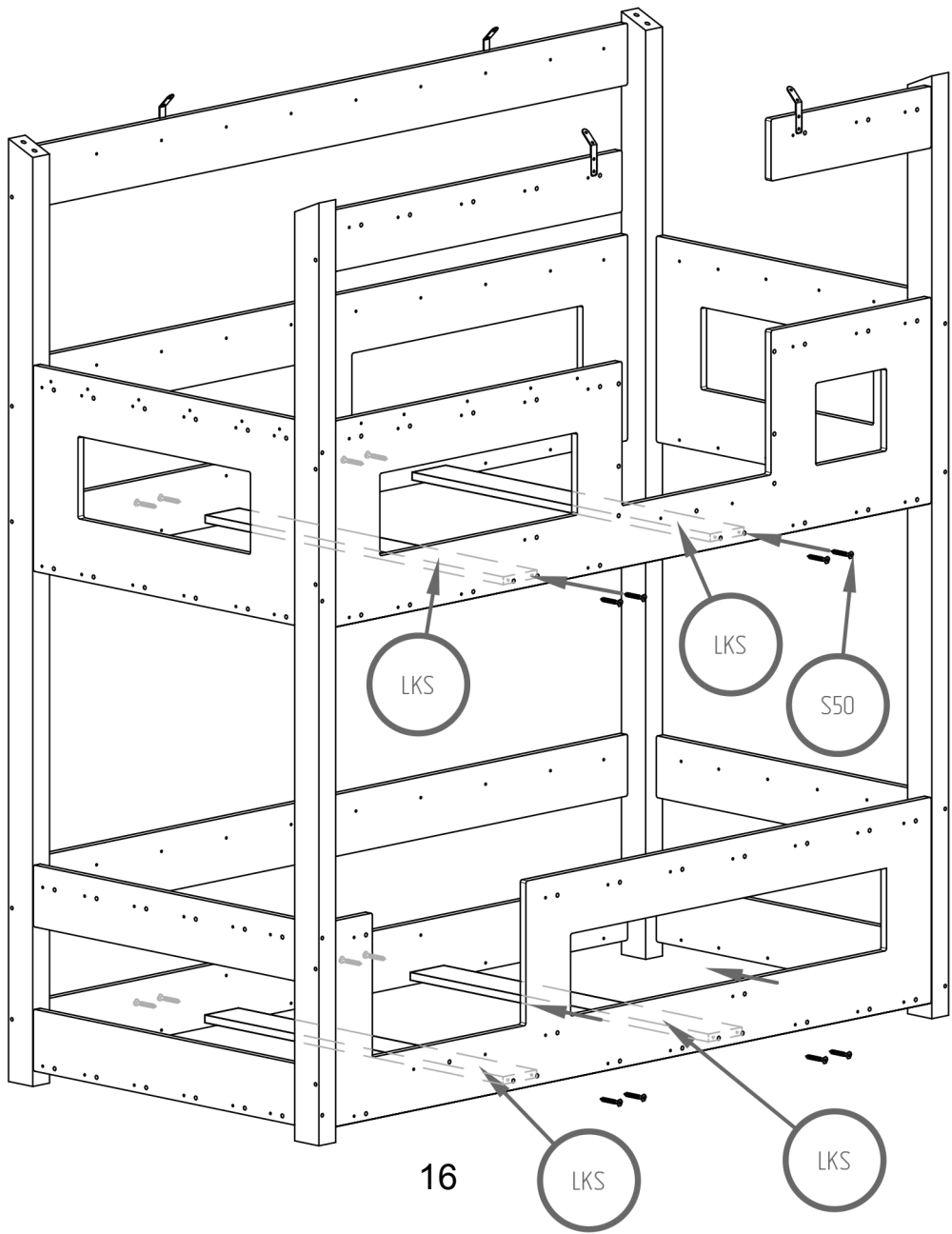
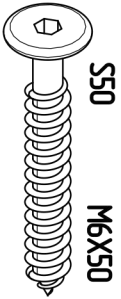
13











16

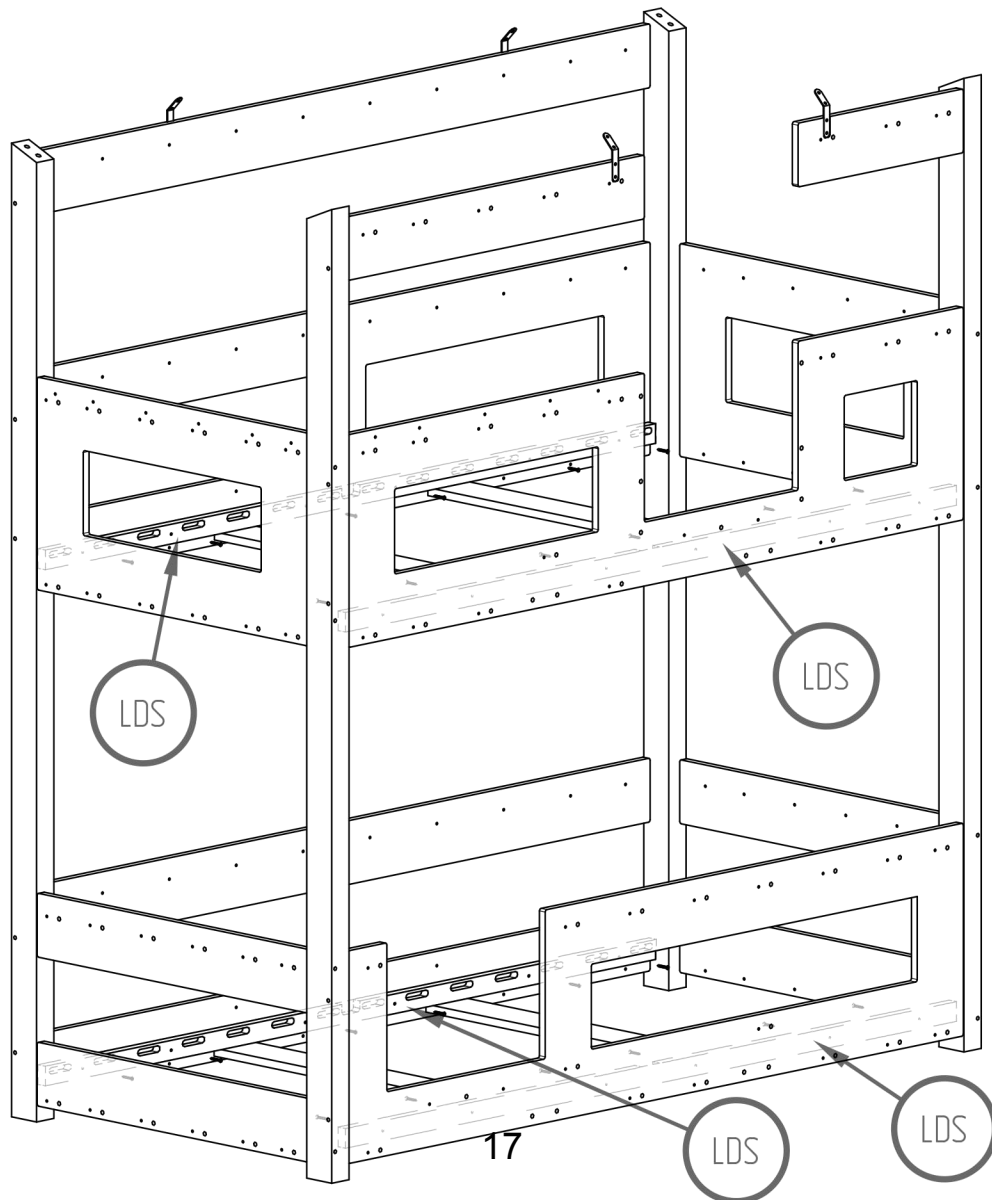
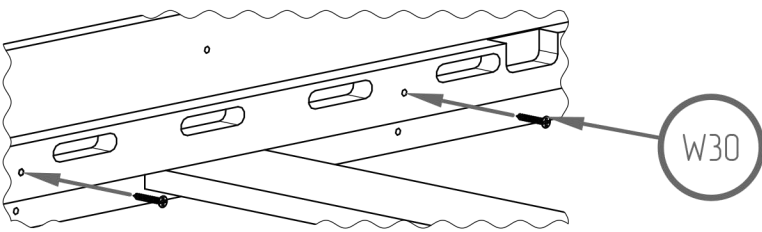
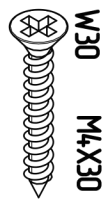
LKS

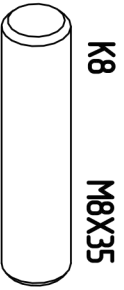
LKS

S50

LKS

LKS





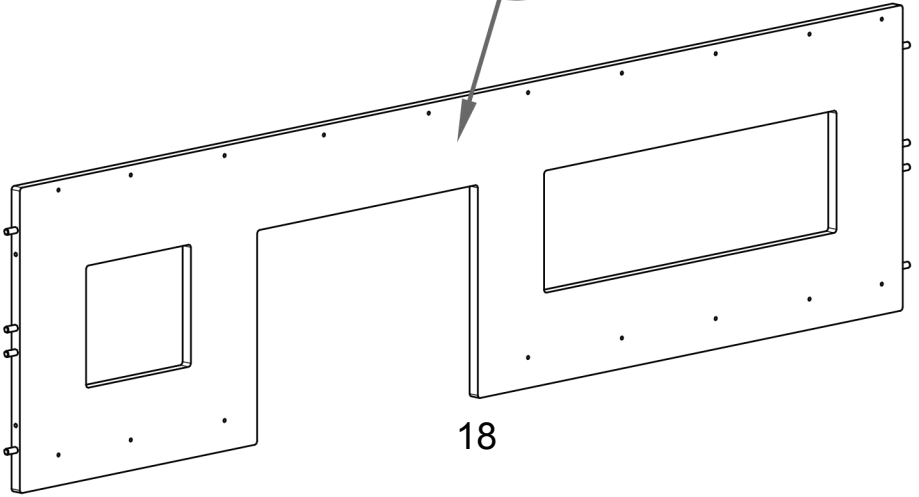
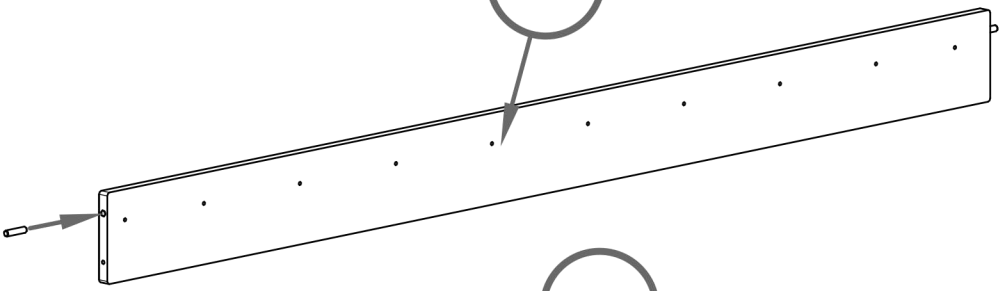
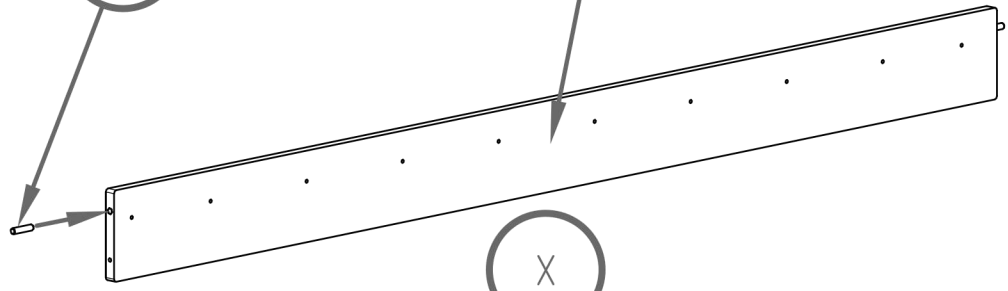
K8

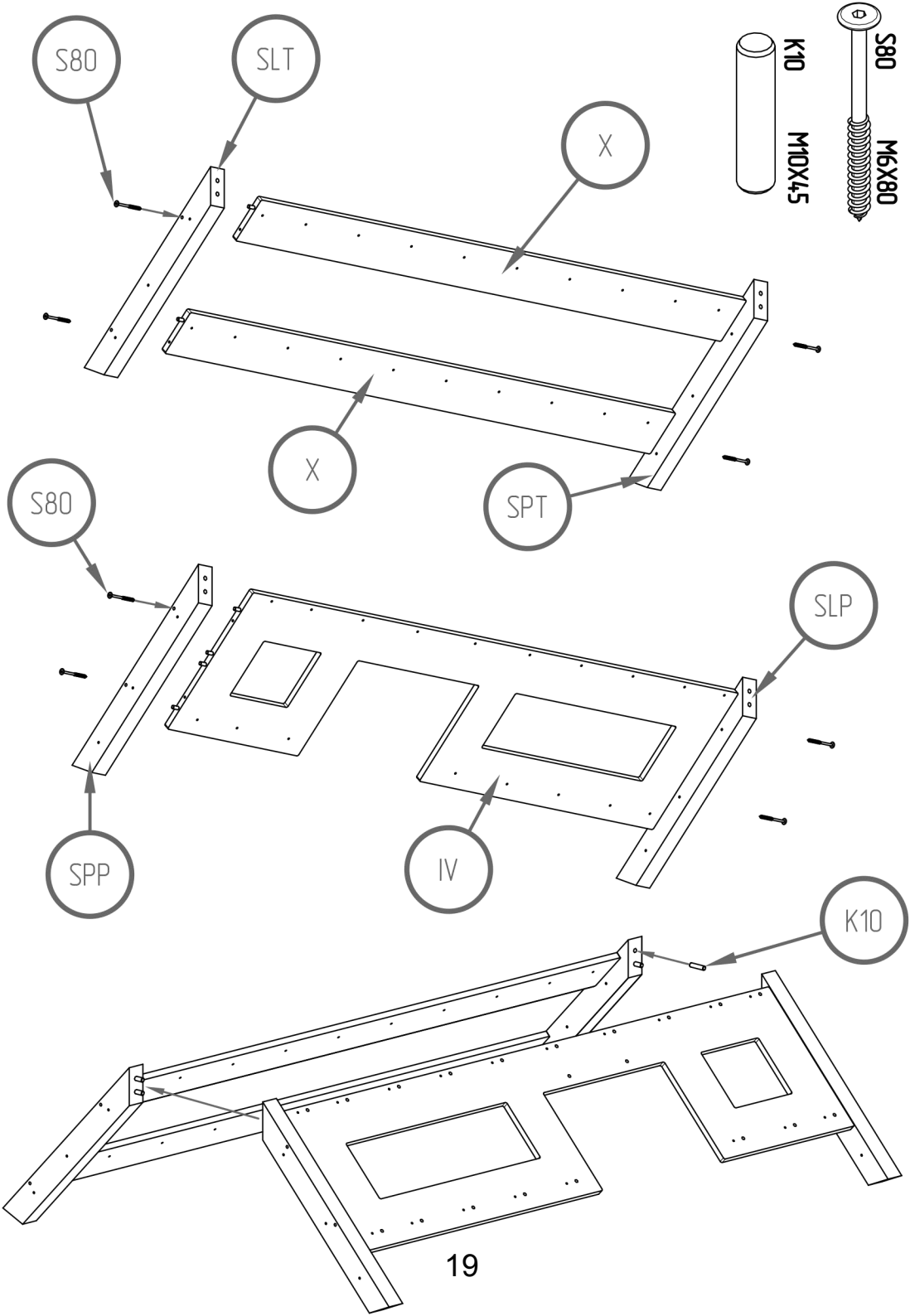
X

X

IV

18

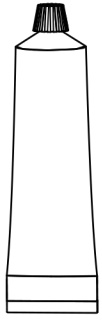






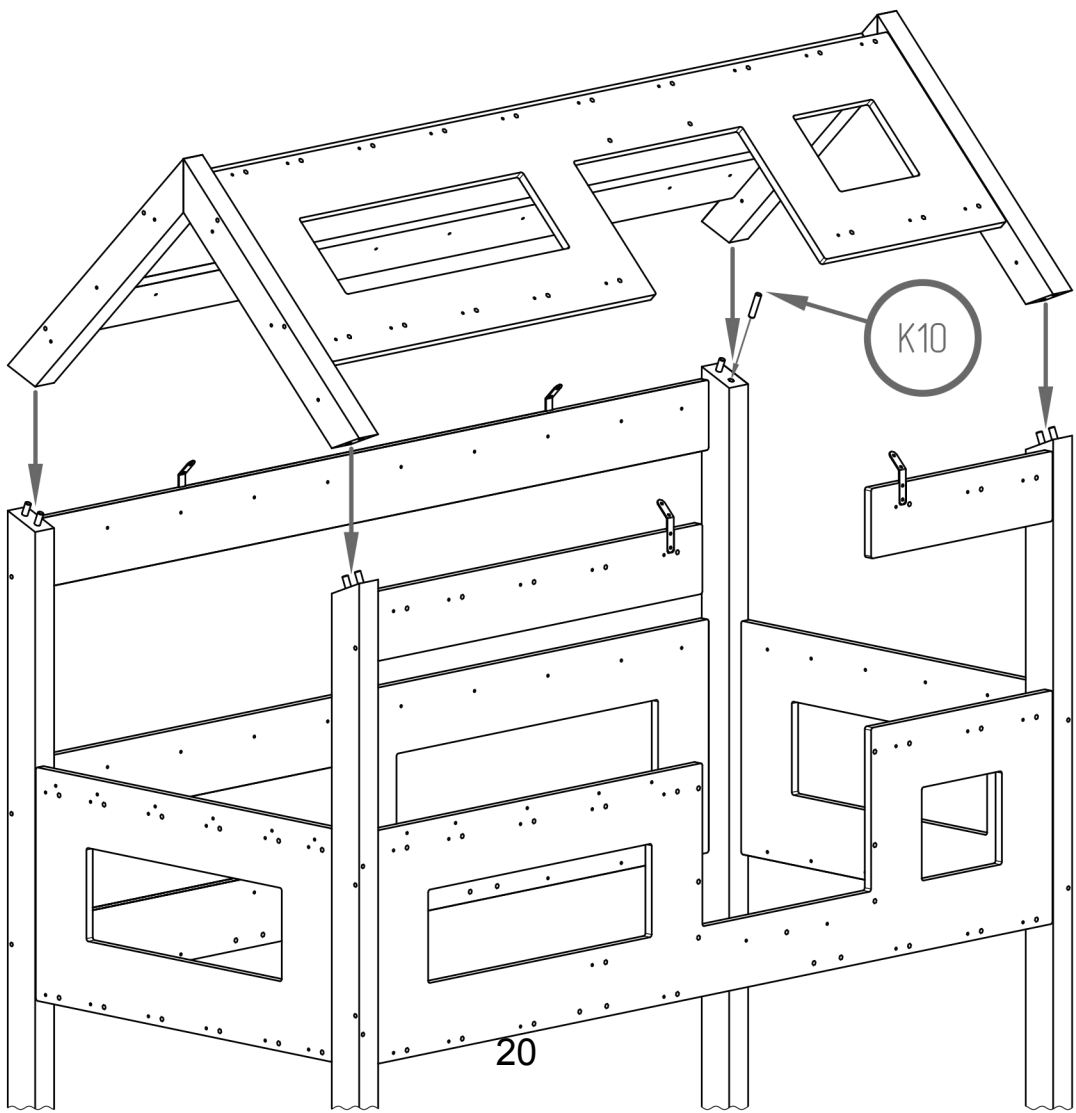
K10

M10X45



GLUE

KLEJ



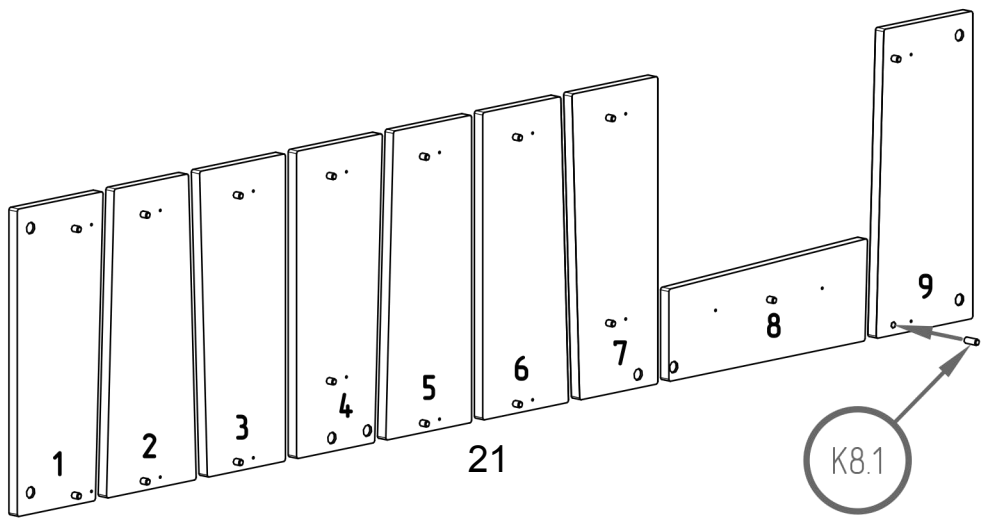
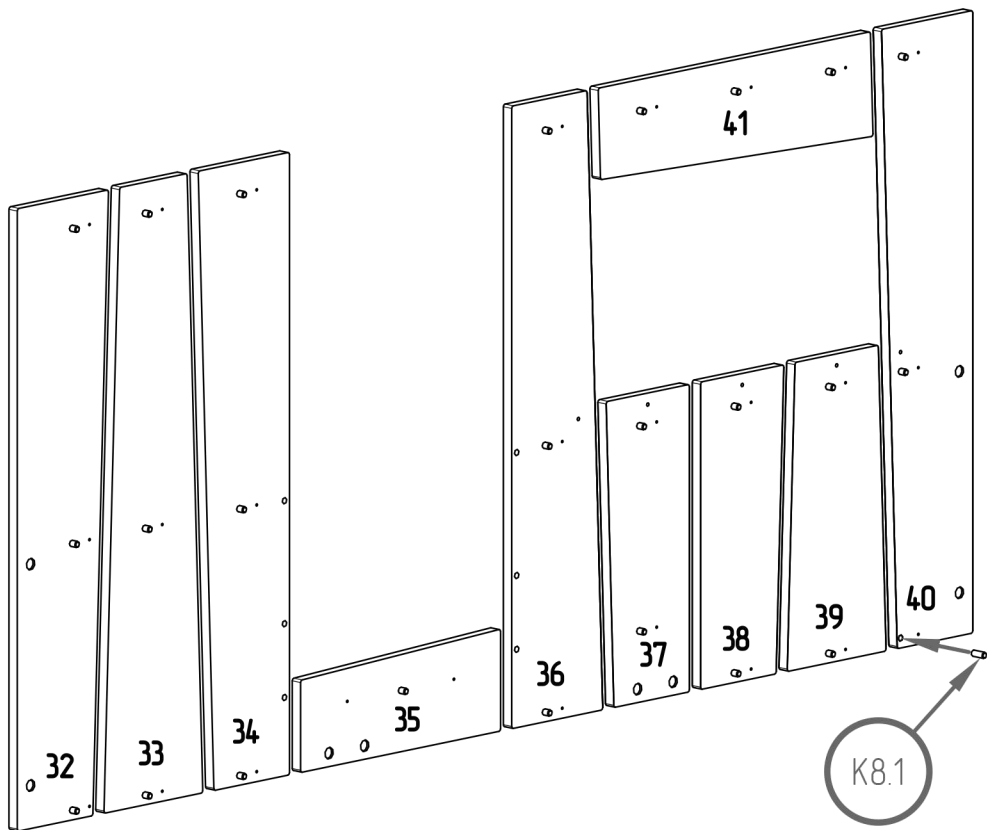
K10

20

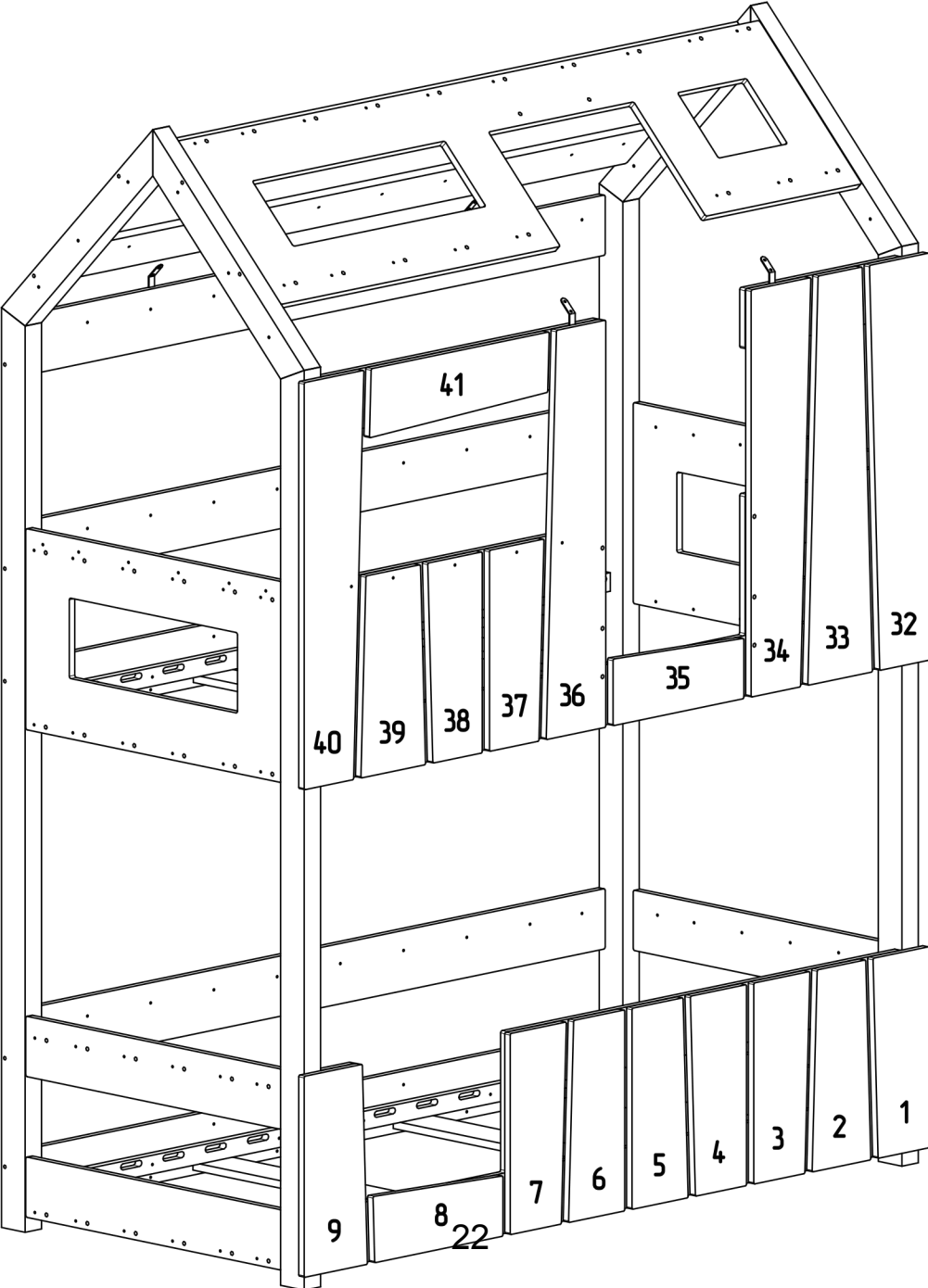


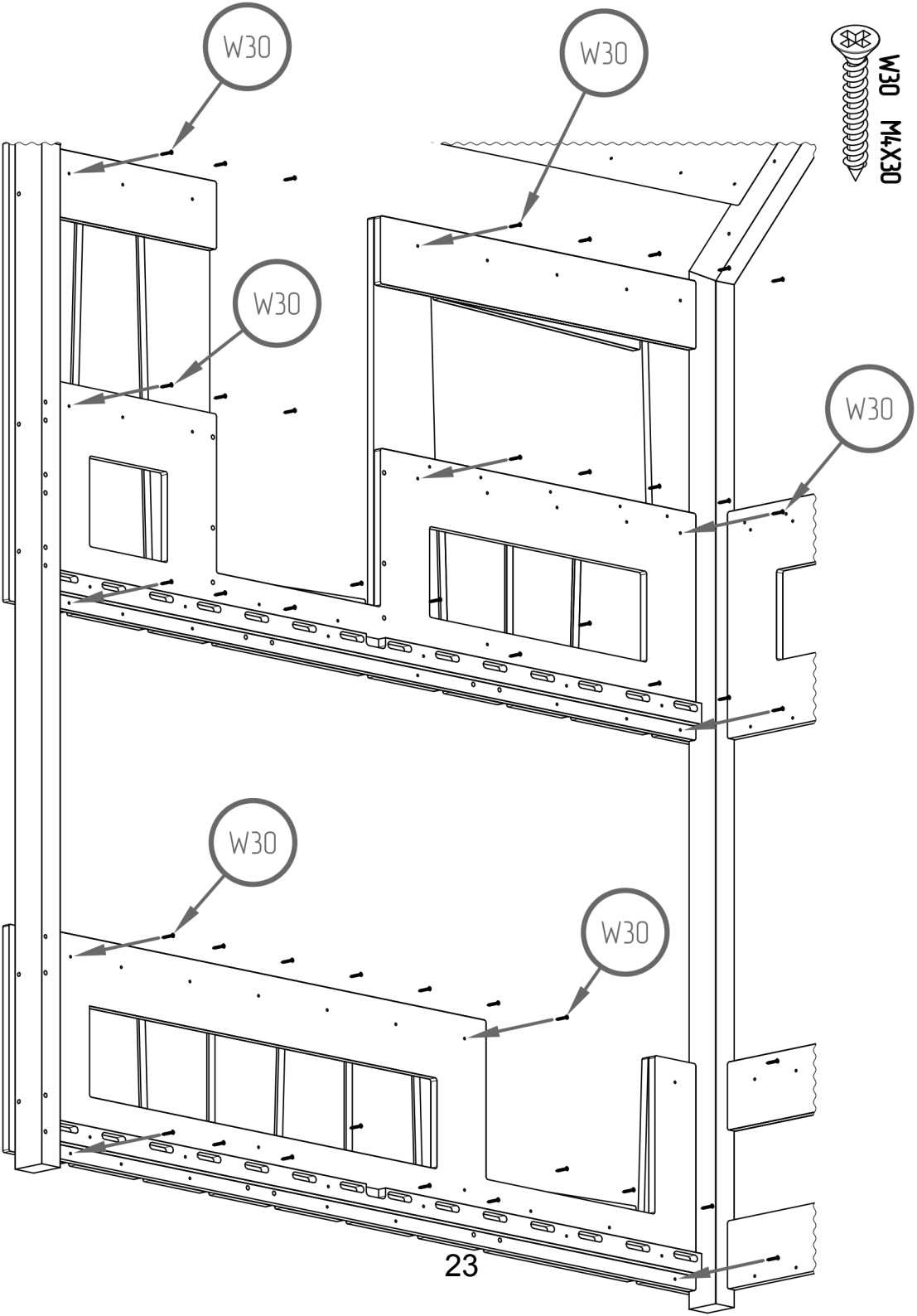
K8.1

M8X21

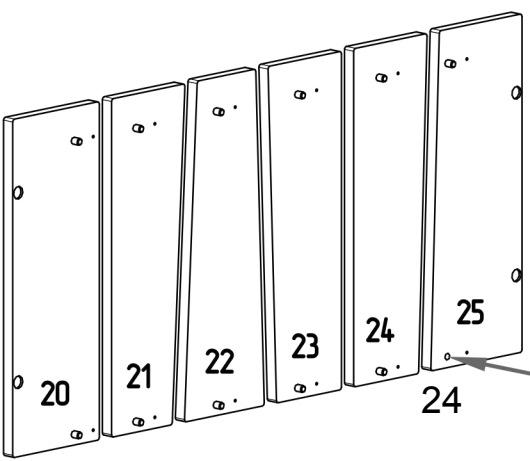
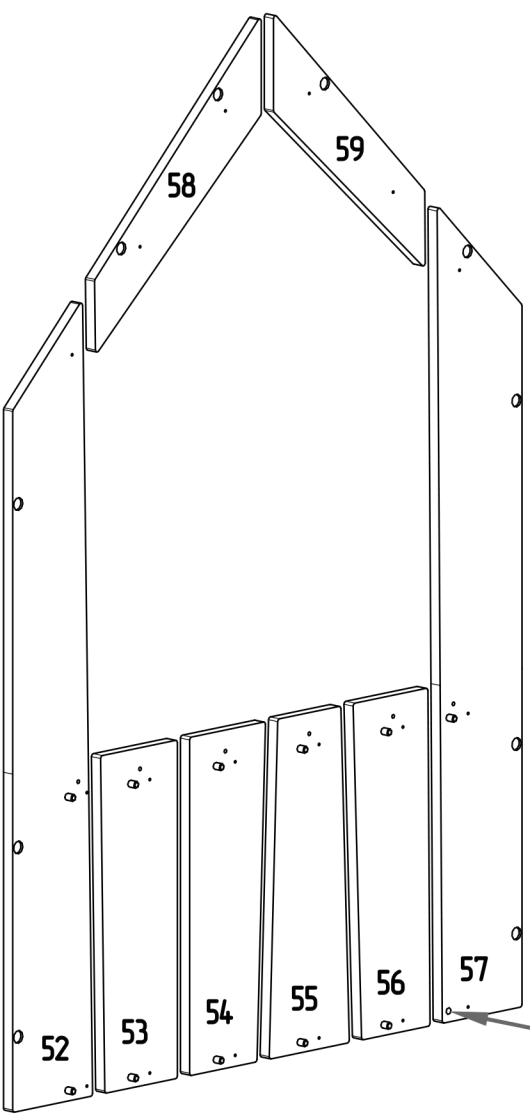
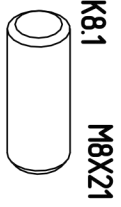


Remember to mount the element  
with the number inwards



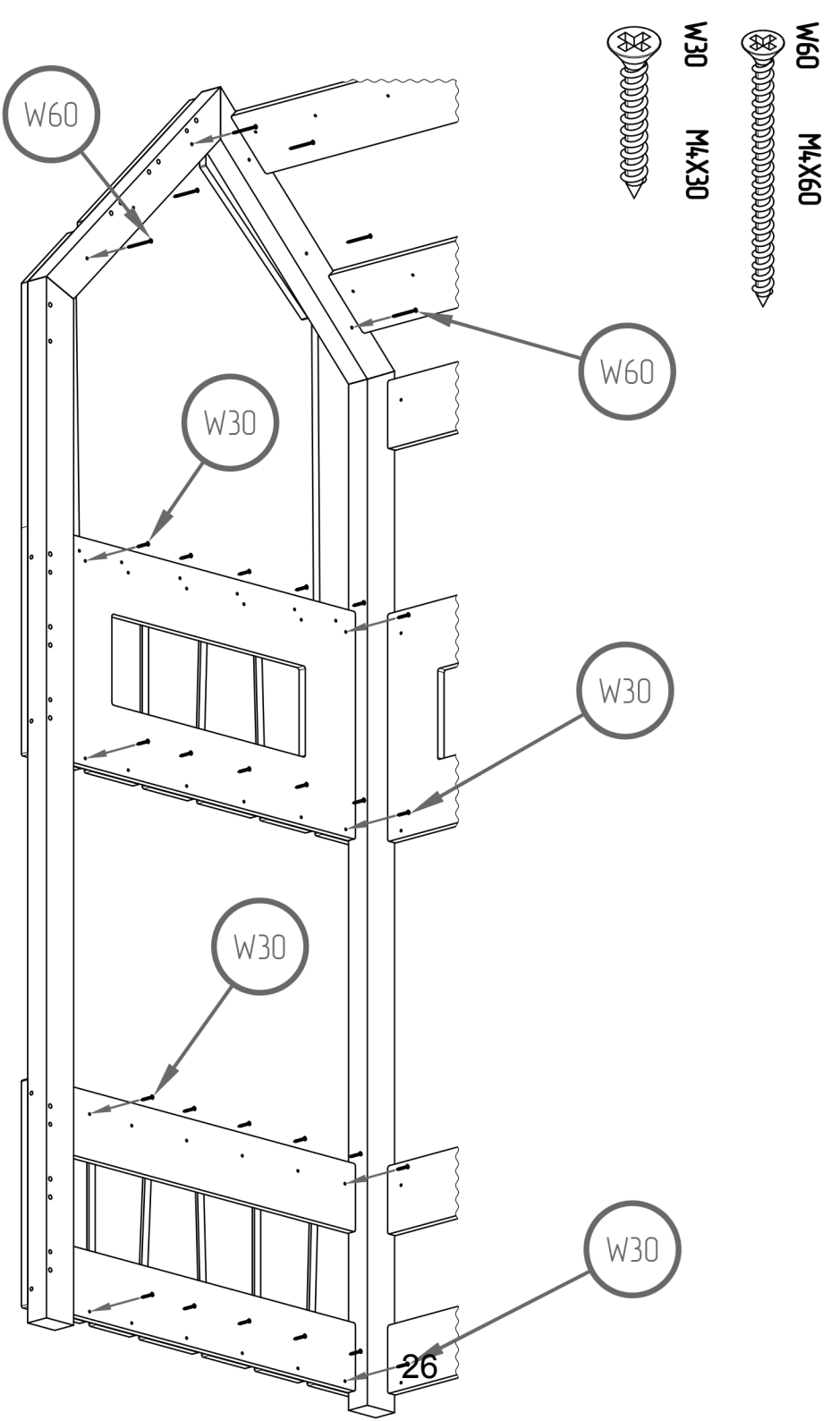


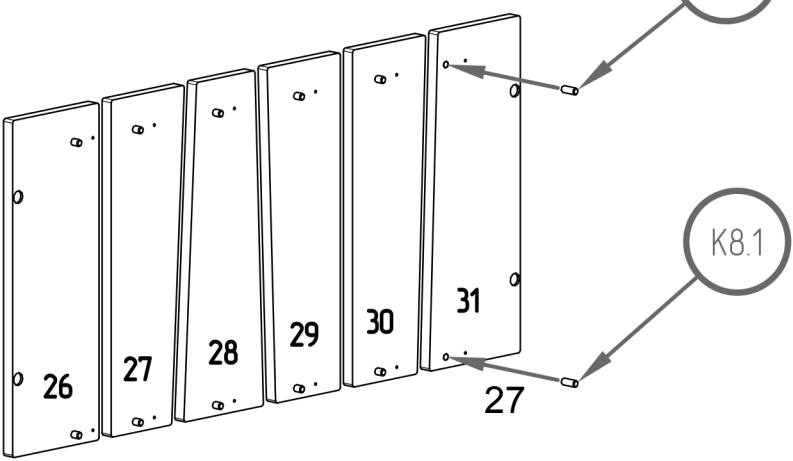
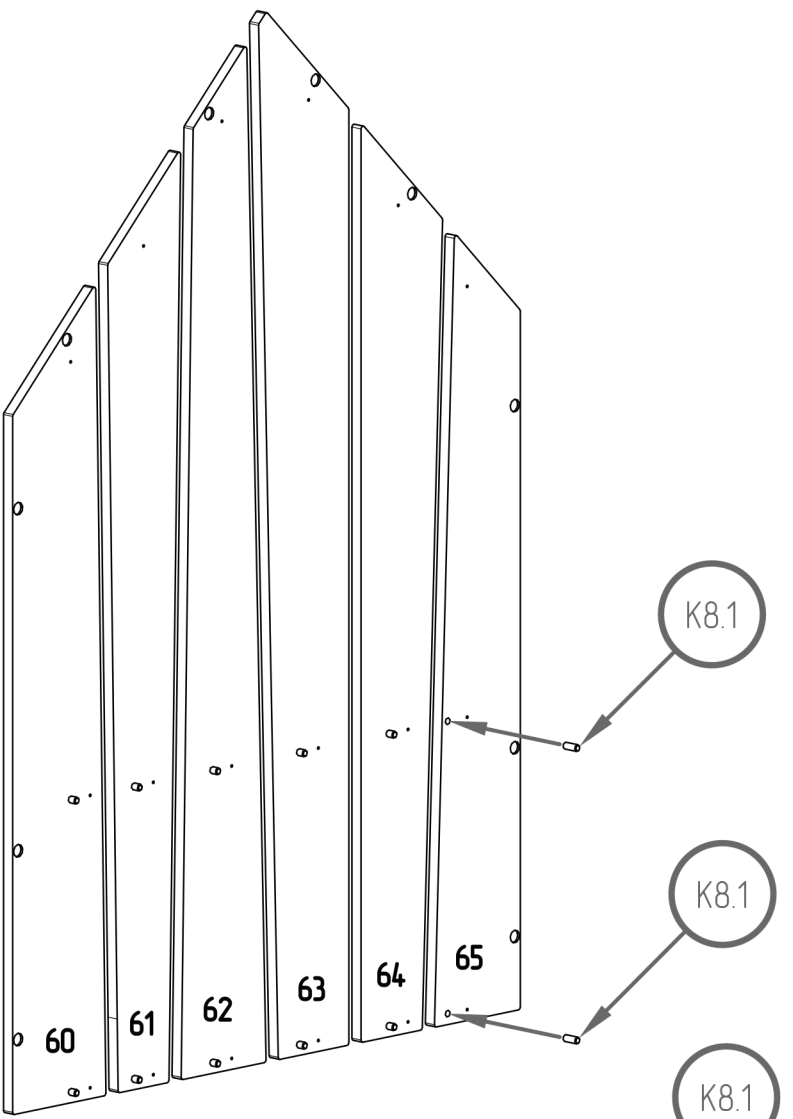
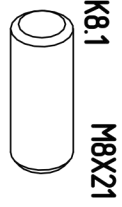




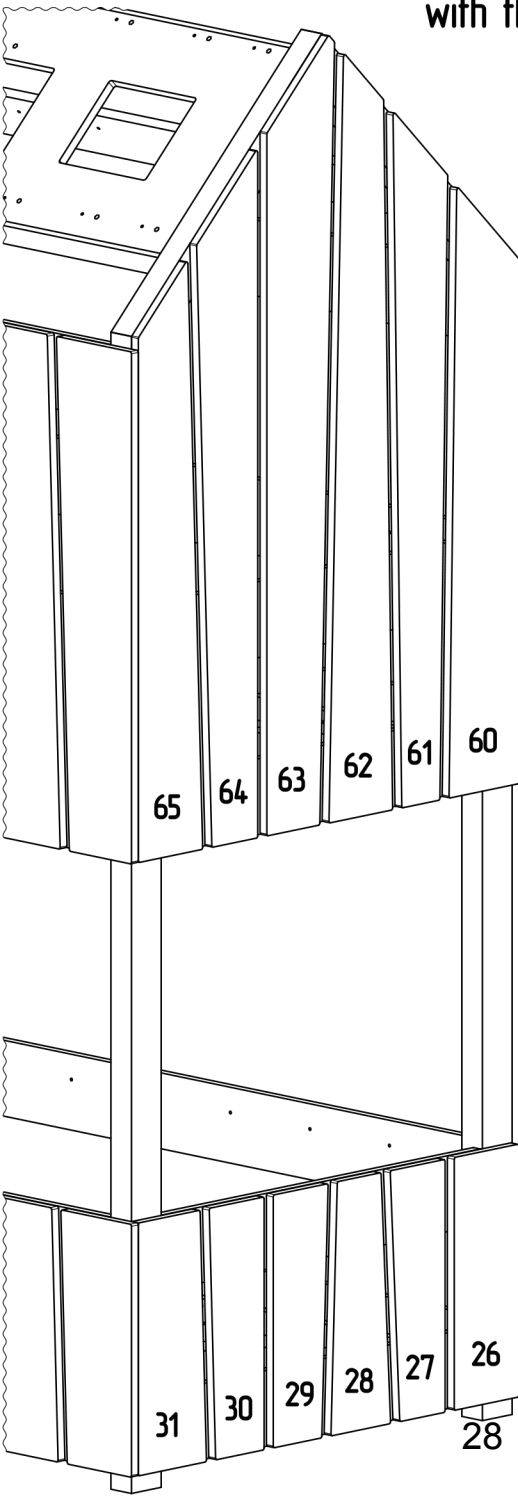
Remember to mount the element with the number inwards

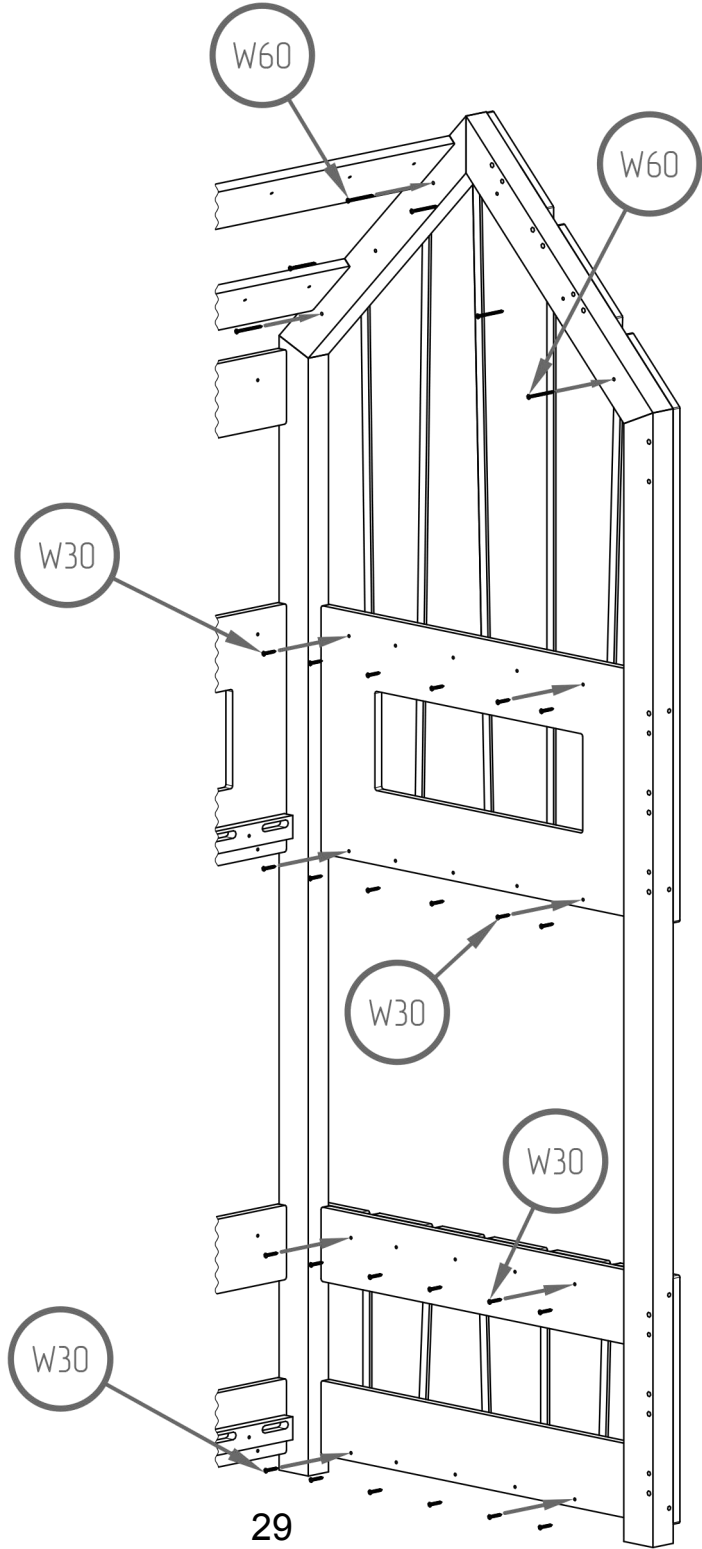
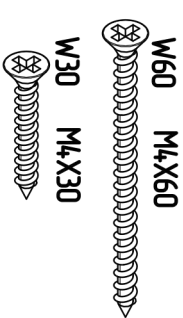


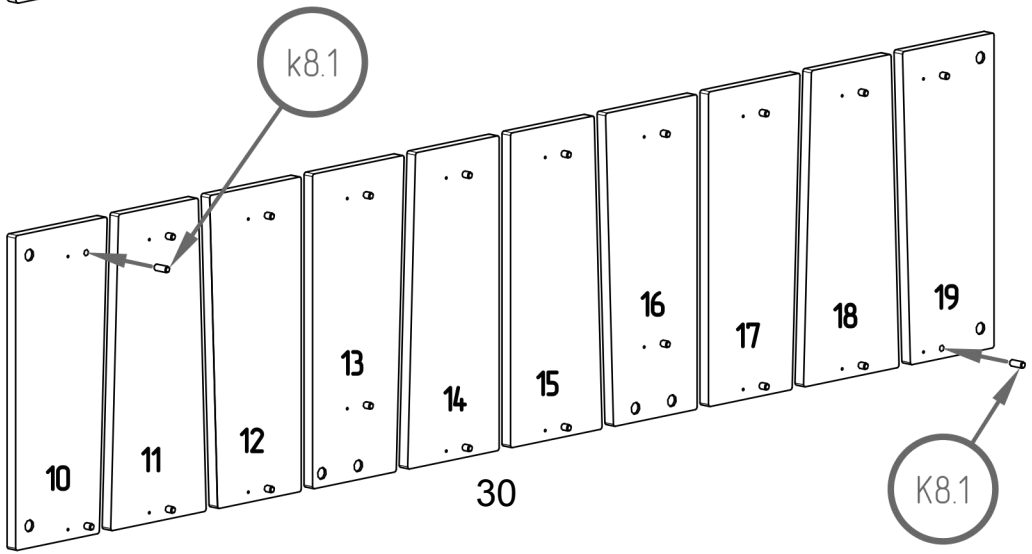
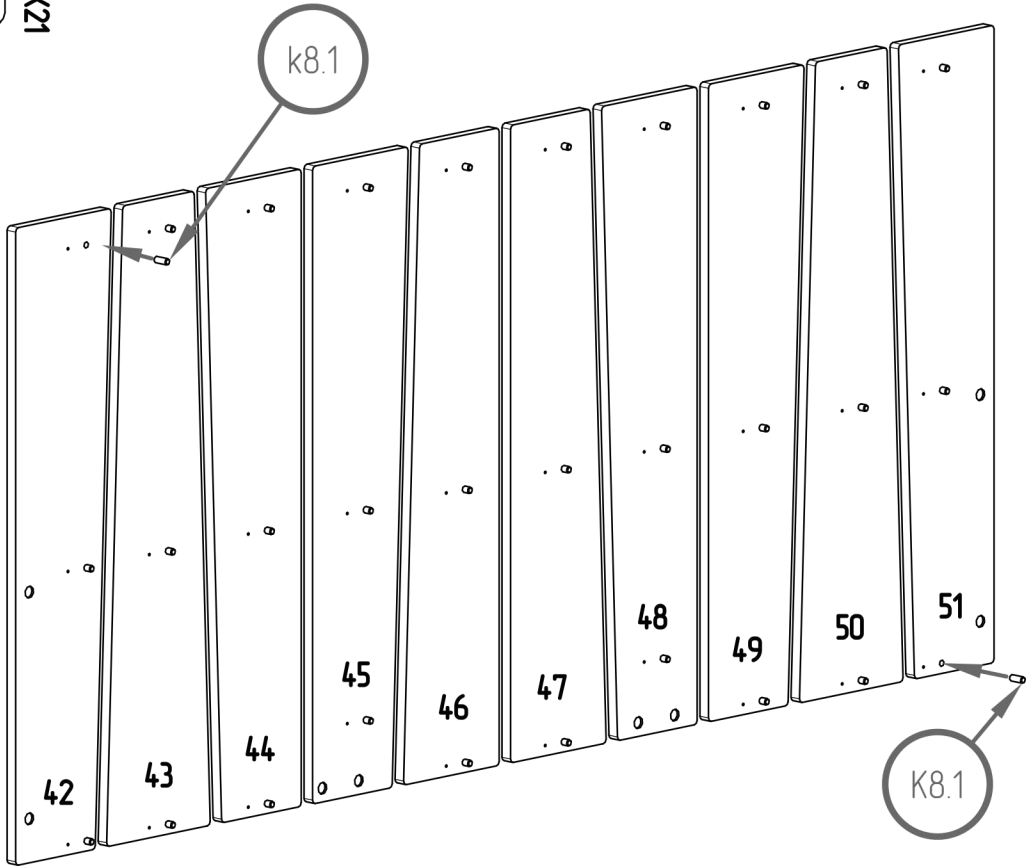
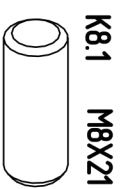




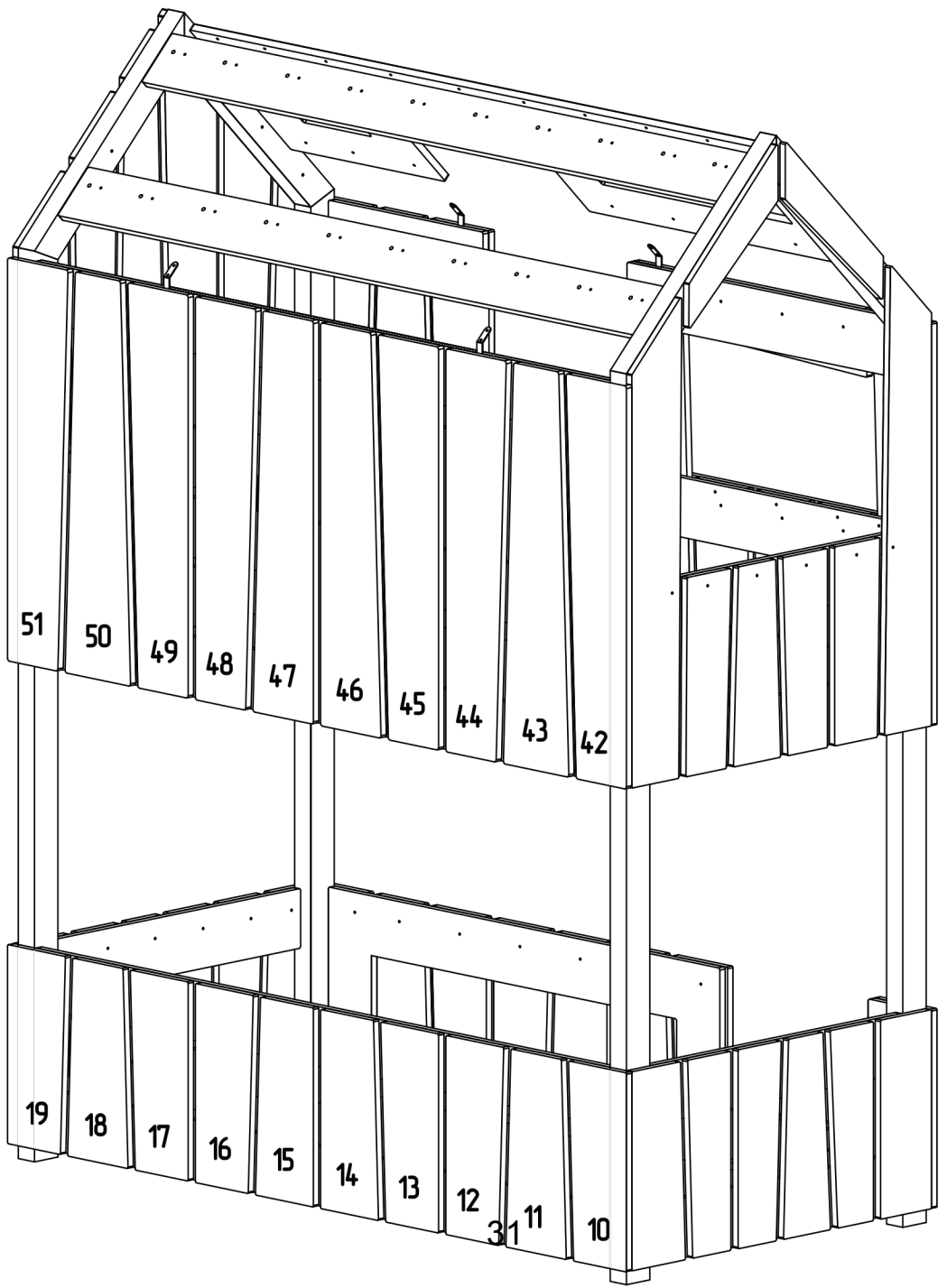
Remember to mount the element  
with the number inwards



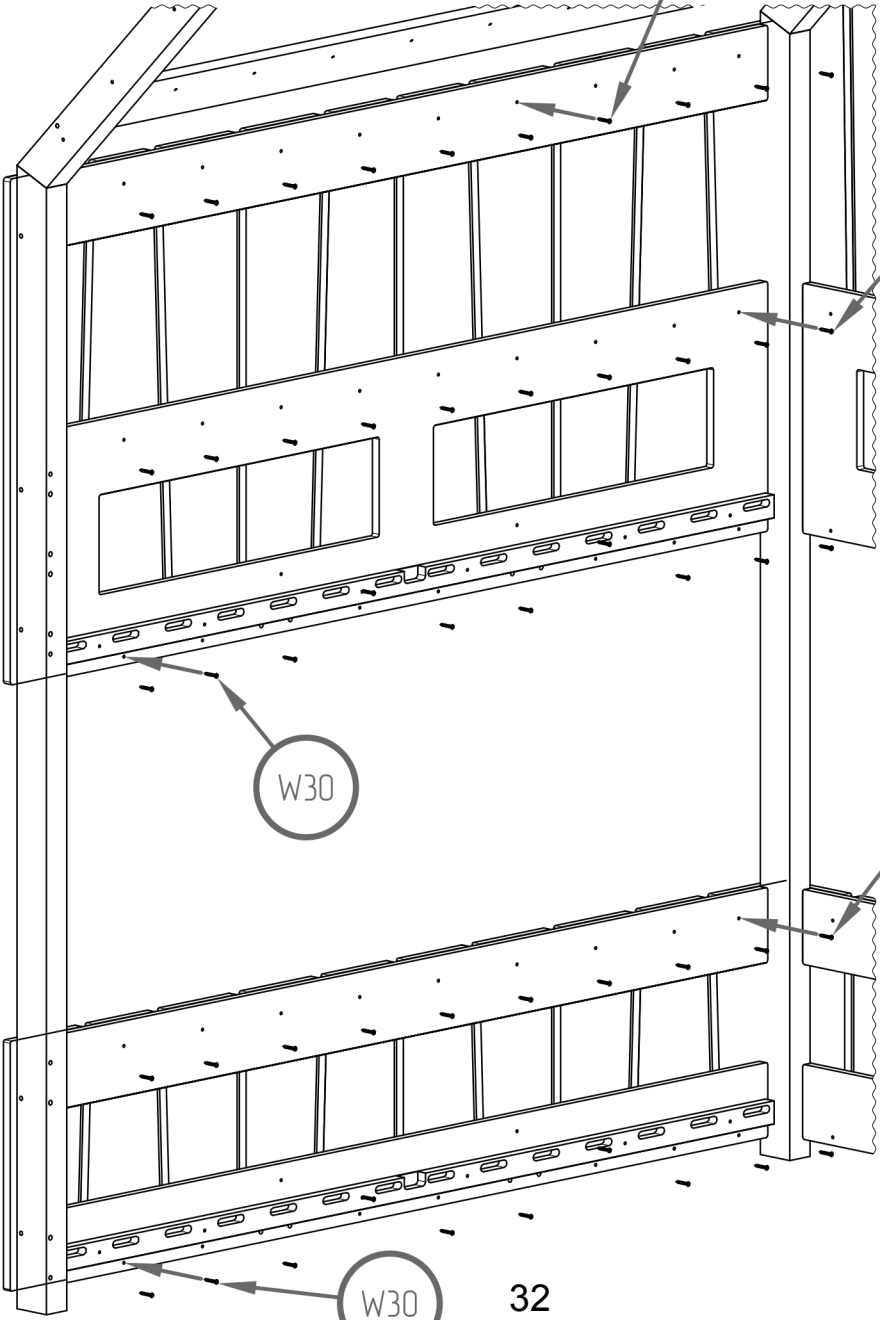
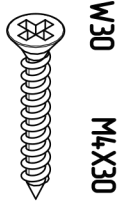


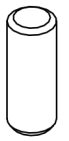
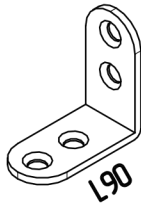
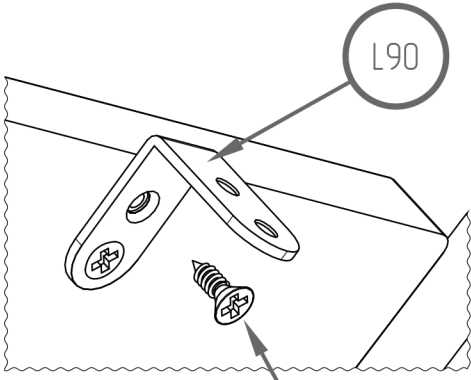


Remember to mount the element  
with the number inwards

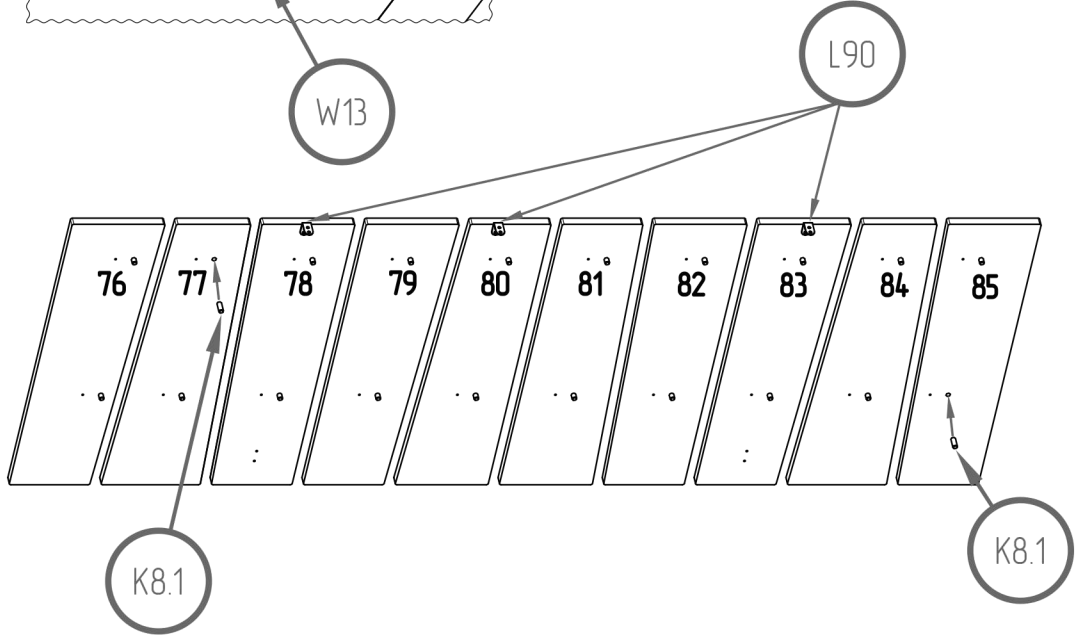




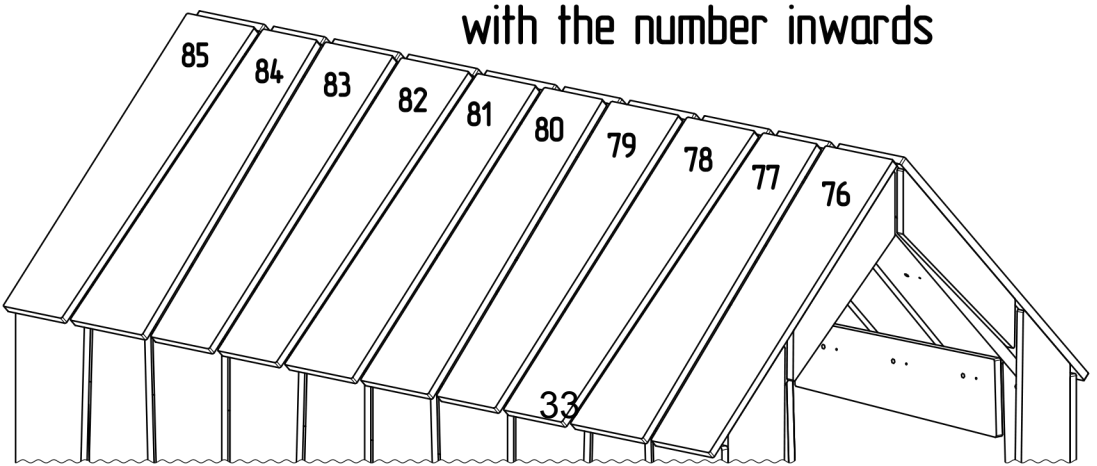


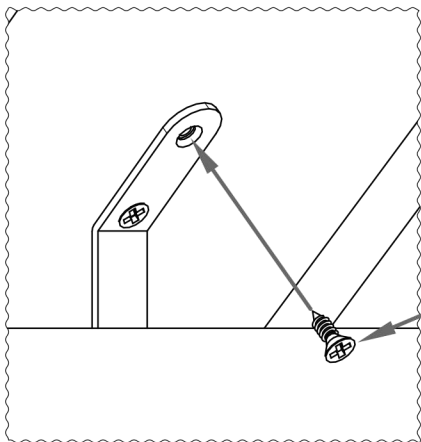
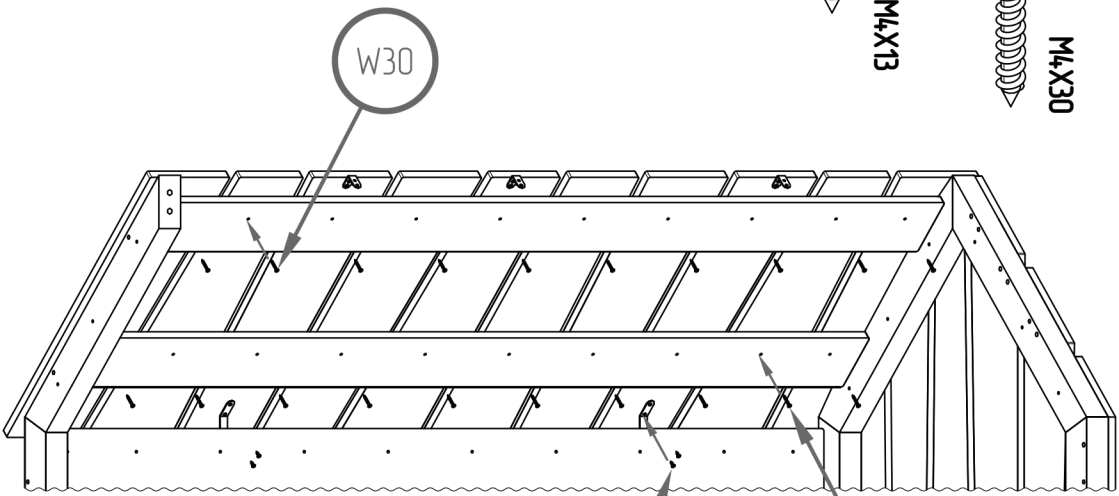
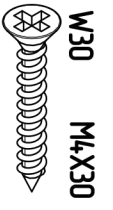


K8.1 M8X35

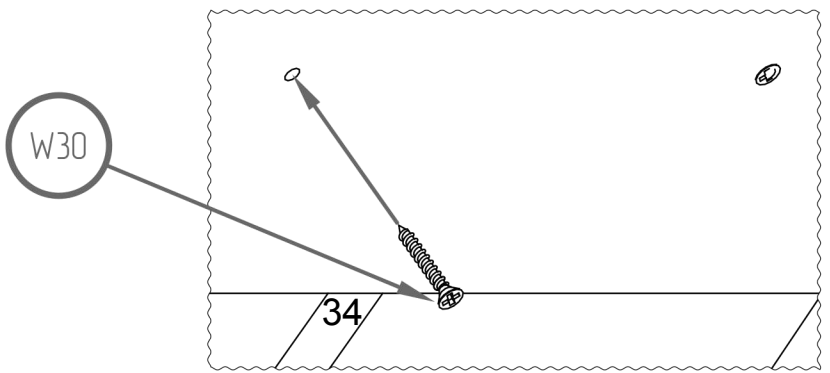


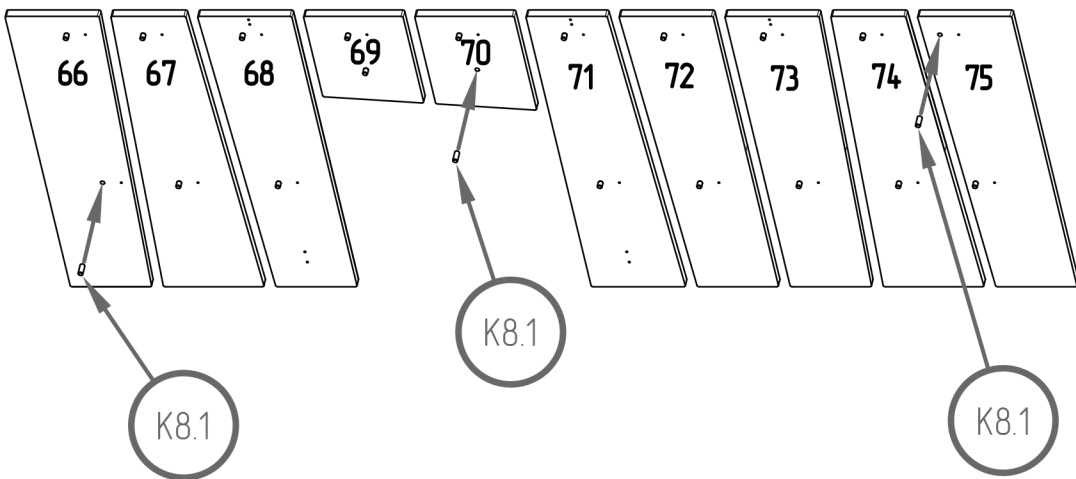
Remember to mount the element with the number inwards



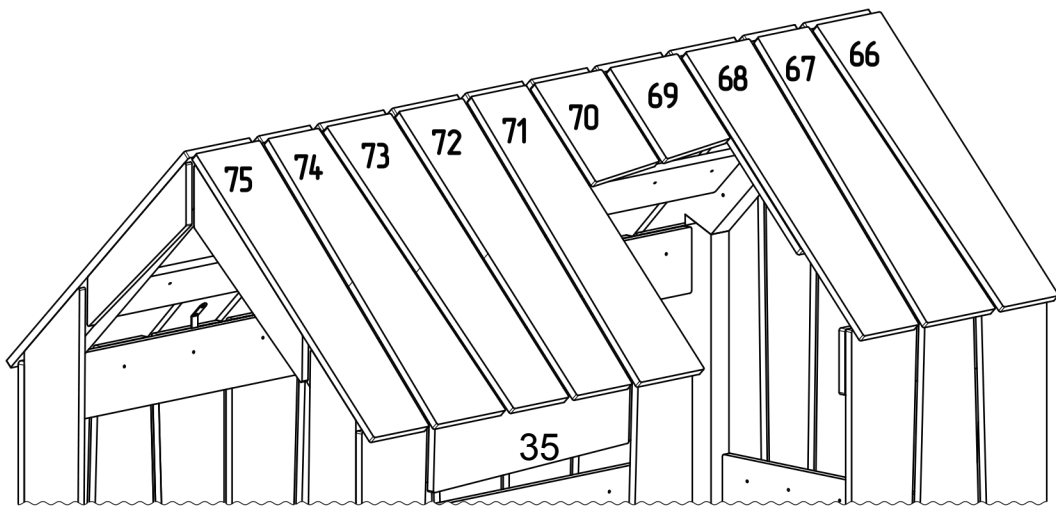


1:2

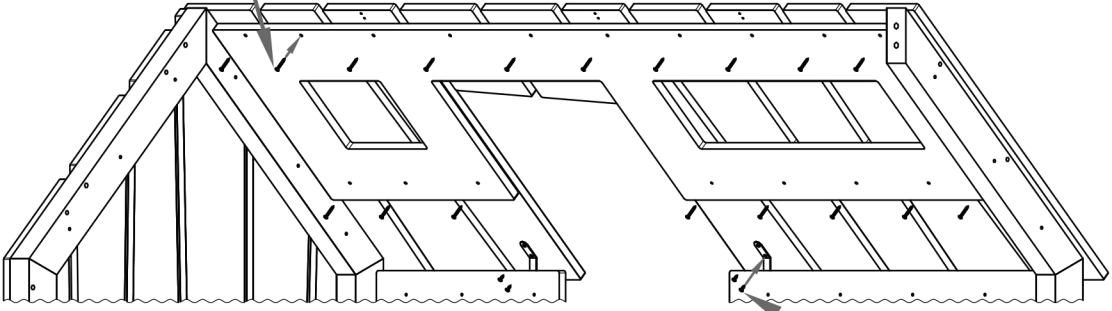
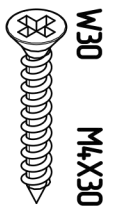




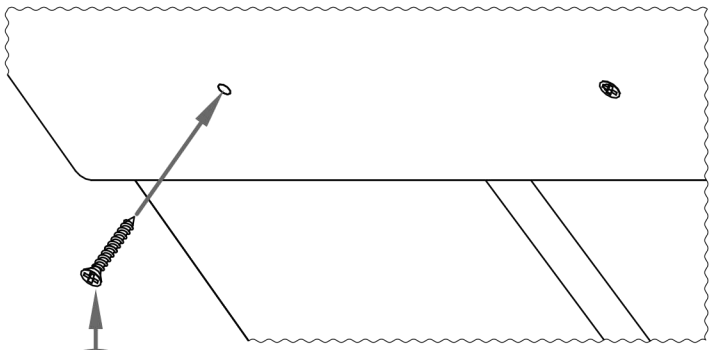
Remember to mount the element  
with the number inwards



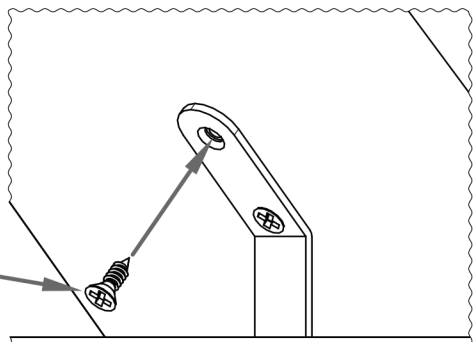
W30



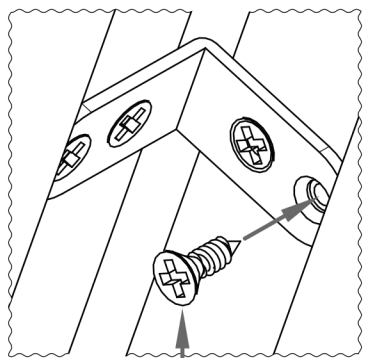
W13



W30

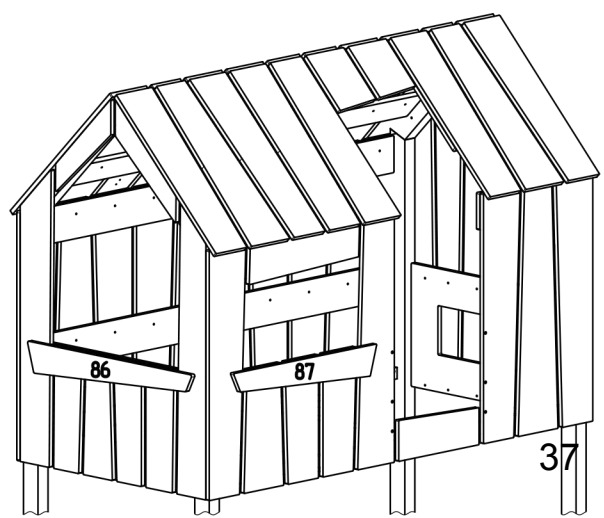
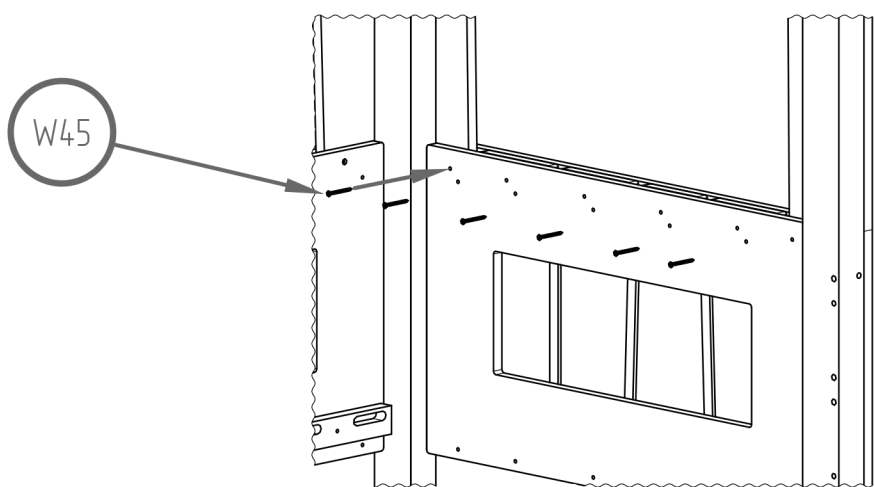
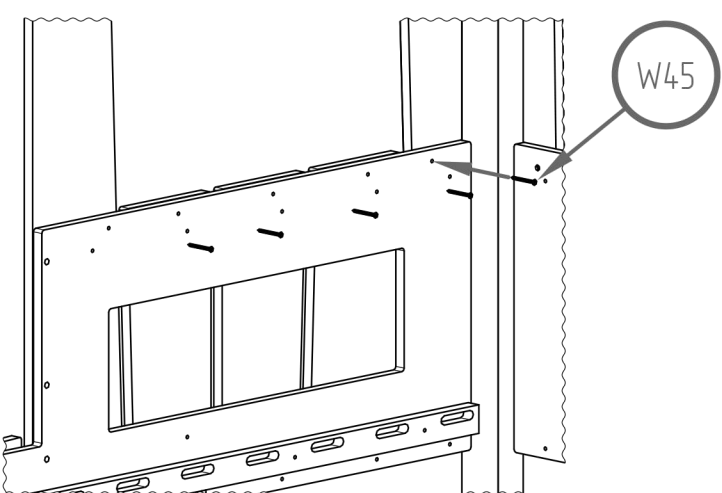
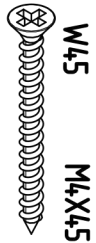


W13

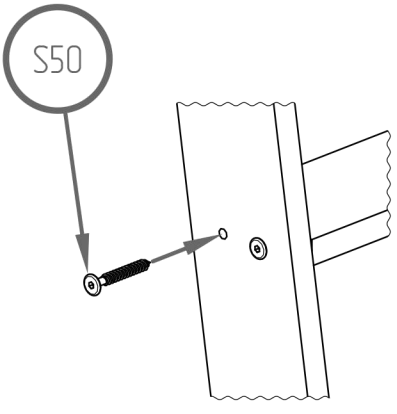
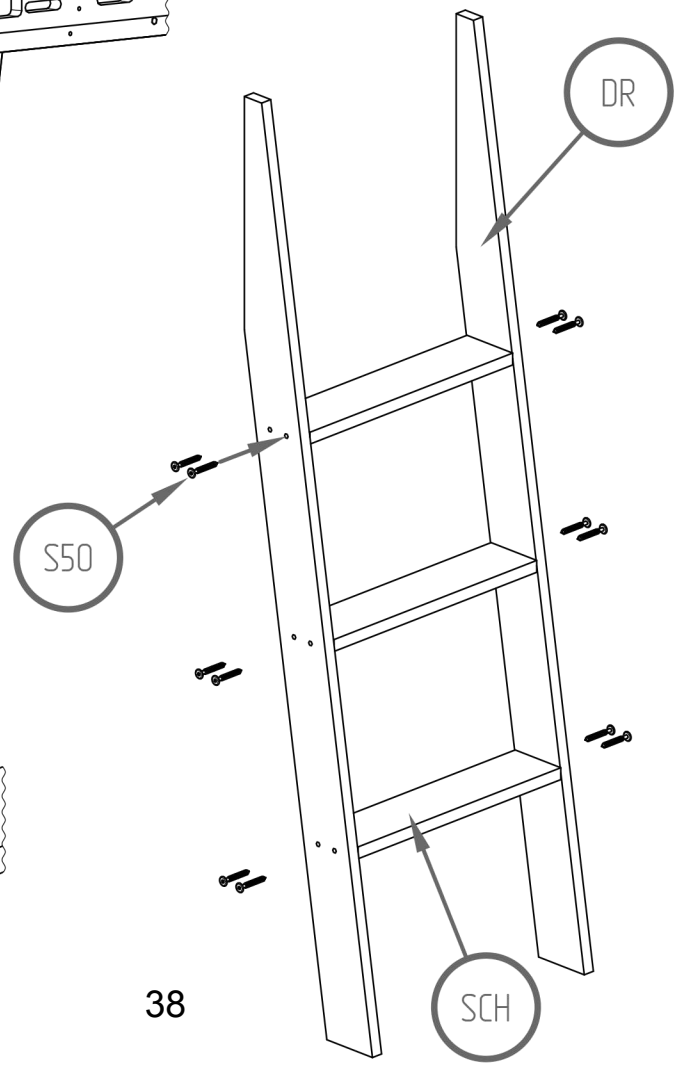
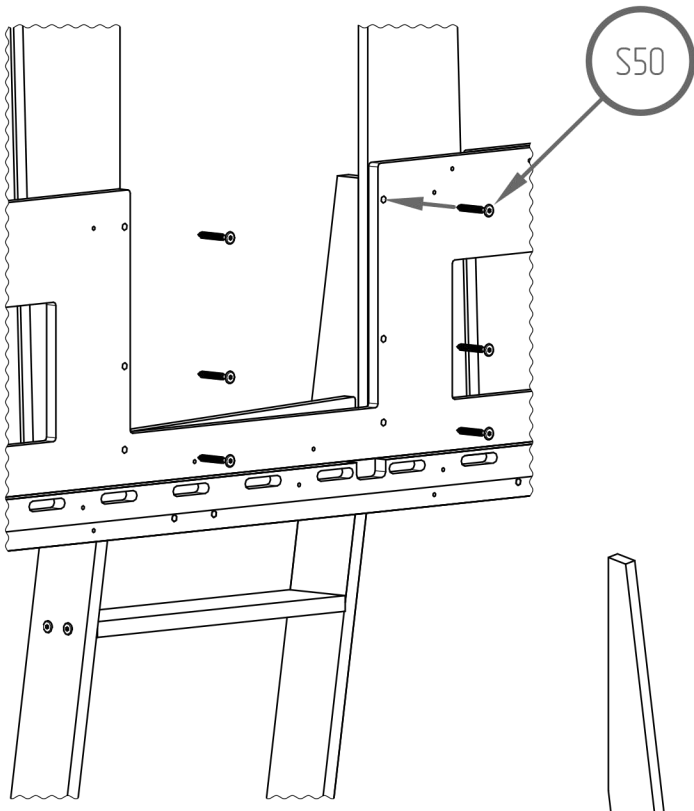
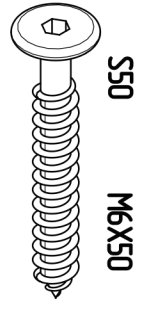


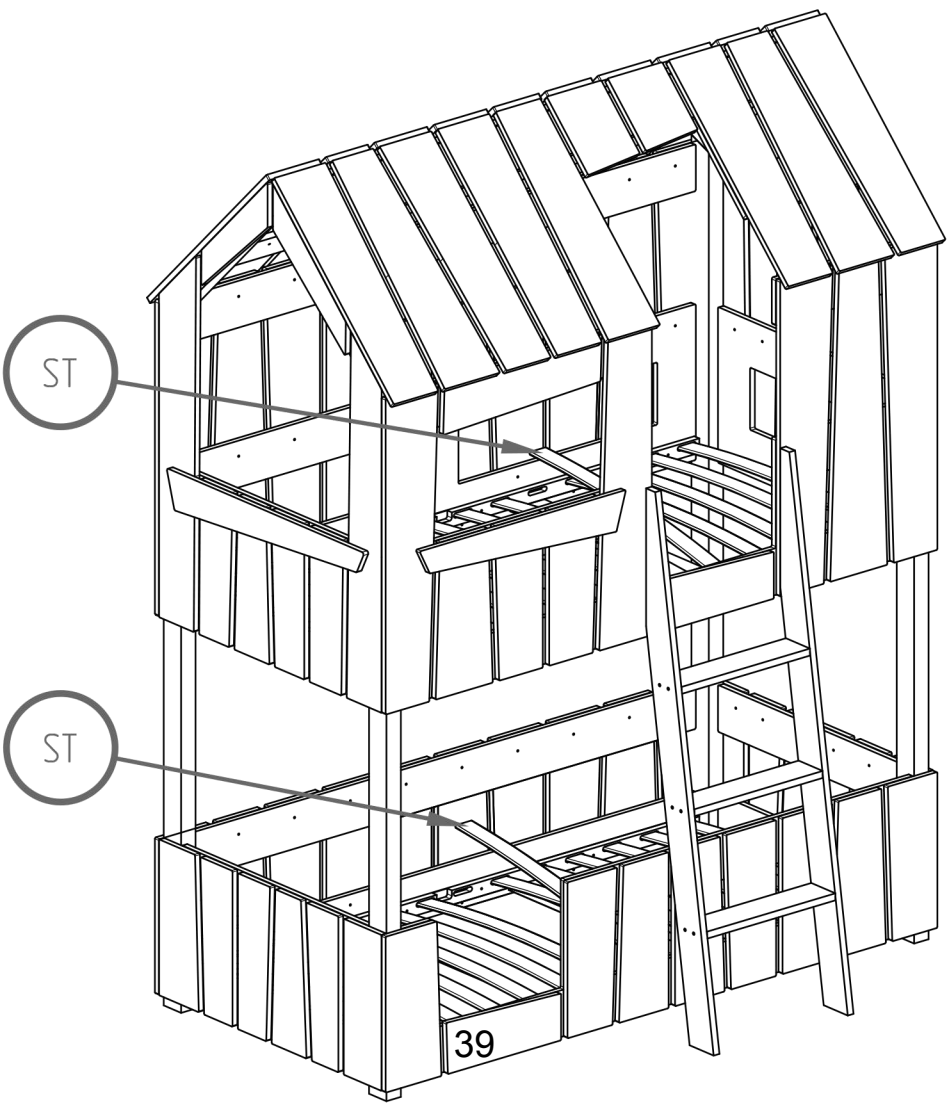
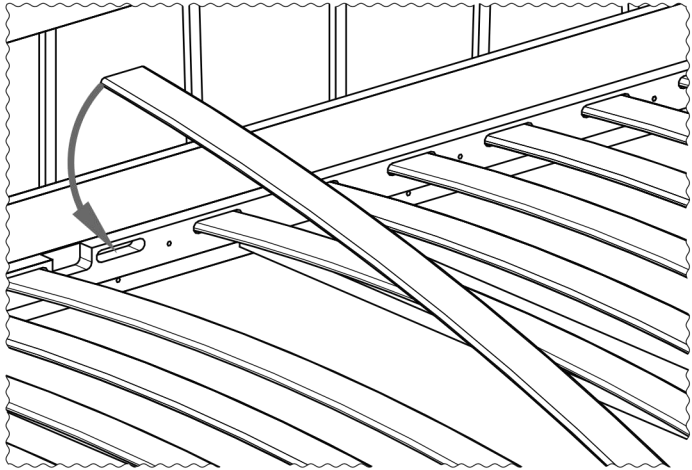
W13

36



Remember to mount  
the element with  
the number inwards







## Woohoo!

High-fives all around for a job well done.

We hope your little one is over the moon with their new Petit Puk bed. And why not show off all your hard work? Snap a pic and share it with us on Instagram (tag us @petitpuk) or shoot us an email at [info@petitpuk.com](mailto:info@petitpuk.com). We love seeing our creations come to life in your wonderful homes!

Now, before your kid dives in headfirst, here are a few friendly reminders:

- Stick to mattresses between 8-14 cm thick for the perfect fit.
- Beds are for snoozing, not bouncing
- Keep it safe with just one child on the bunk bed.
- Please, no acrobatics - avoid hanging off any parts of the bed.
- Keep things tidy with a gentle wipe-down of wooden and plastic parts using a dry cloth and mild cleaner.

### **Warranty**

We've got your back with a 2-year warranty on bed parts under normal use. If you ever need a hand or have any questions, don't hesitate to reach out to Team Petit Puk. Just send us a message with your name and order number, along with images of the situation.