






## Assembly Manual for COCO

Congratulations on your new Petit Puk bed! Get ready to transform your kid's sleeping space into a fortress of imagination, a castle of coziness, and a launchpad for their sweetest dreams! When you follow this step-by-step assembly, you'll breeze through the process.

Quick Checklist:

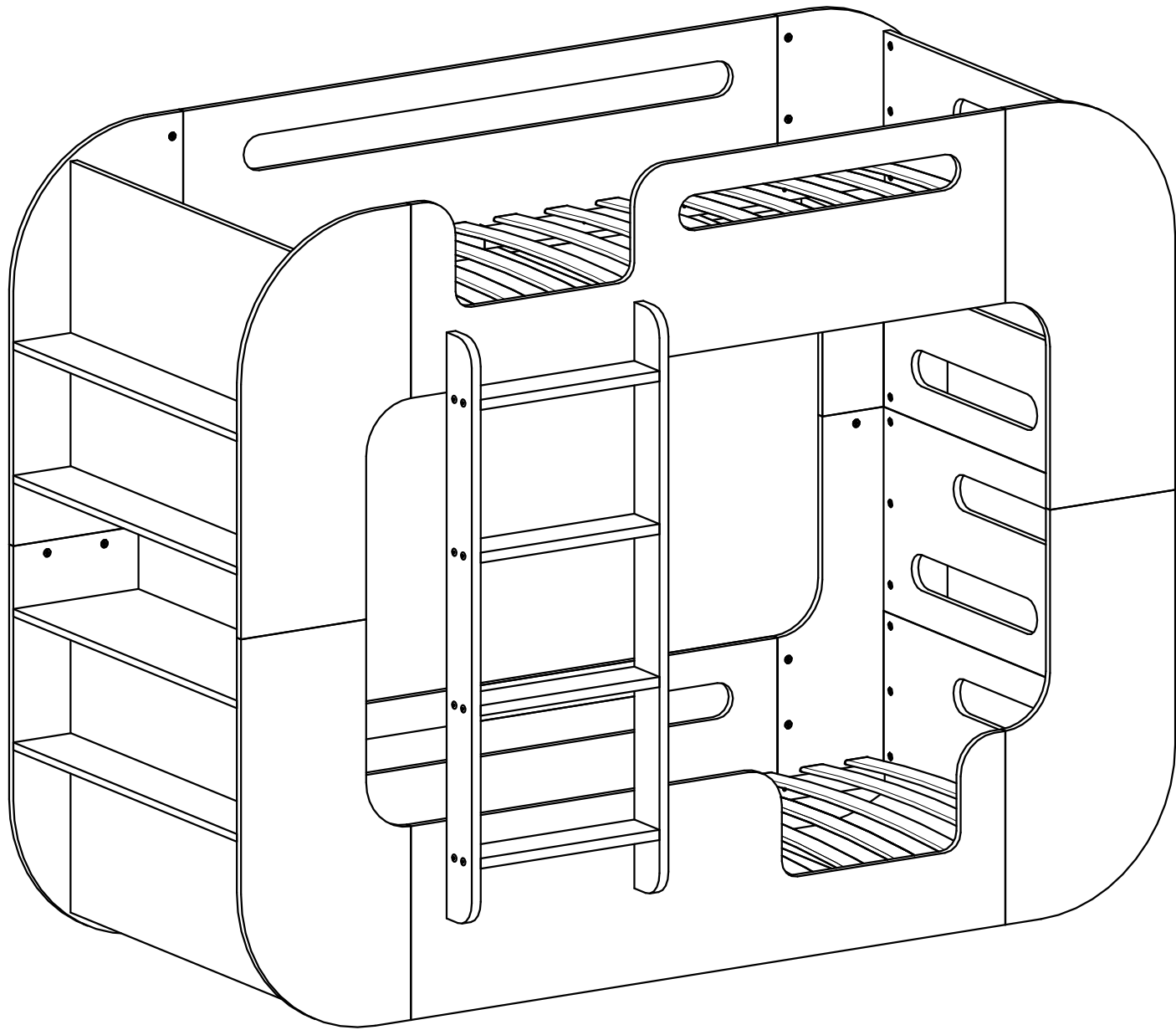
-  Is everything complete?
-  All pieces in good shape?
-  Do no start adding glue before you made sure all pieces are there and in perfect shape
-  Note! Applying glue to the bed base is **not** mandatory, as it could hinder the disassembly process later on. Let's keep things flexible for future adventures!
-  Ready to take a photo of your great work once completed and share with us?

Ticked all the boxes? Put on your superhero cape, and let's dive into the wonderful world of bed building.

Big wave,  
Team Petit Puk

**Questions?** Reach out via [customercare@petitpuk.com](mailto:customercare@petitpuk.com)

**Compliments?** Tag us on instagram @petitpuk



# IMPORTANT



Beds are for sleeping,  
not for jumping

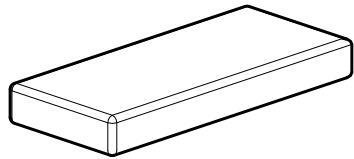
Prohibit more than  
one person on bed



UPPER BED

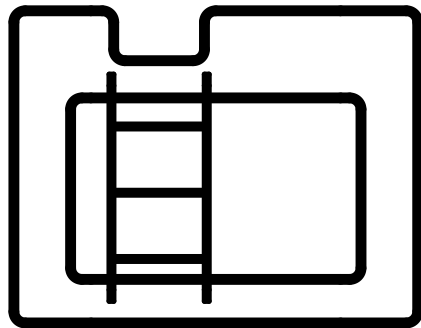


LOWER BED



Use only mattresses  
with thickness of 8-12 cm

Bed parts have 2 years  
warranty in normal use



Use the ladder to get in and out of the upper bed

Do not hang on structural elements

Design and execution in accordance with the standard

PN-EN 747-1+A1:2015-08


Wooden parts should be cleaned with a dry cloth and ordinary  
mild detergents for the care and cleaning of wooden parts

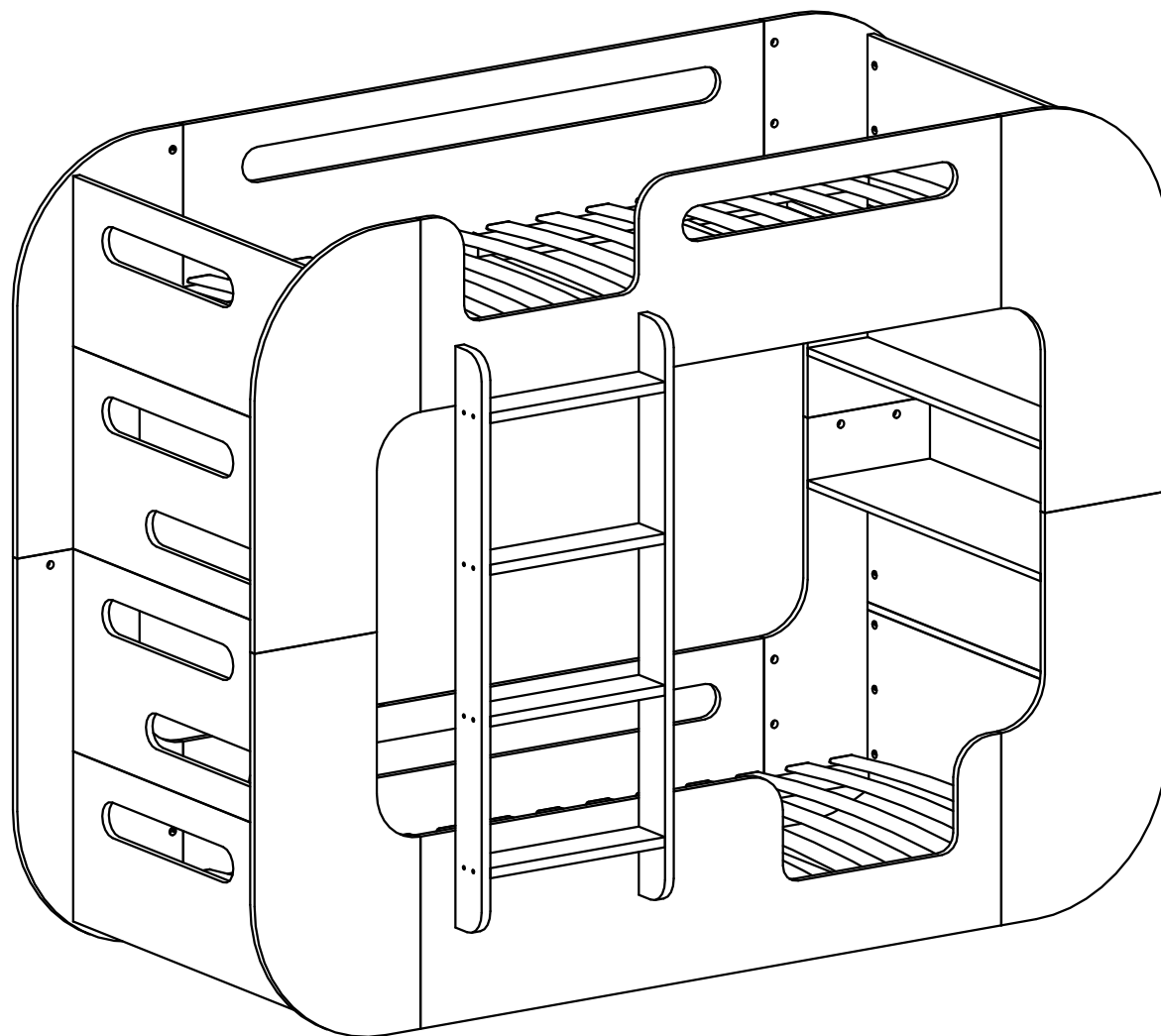
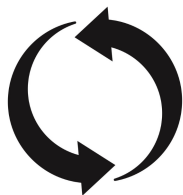
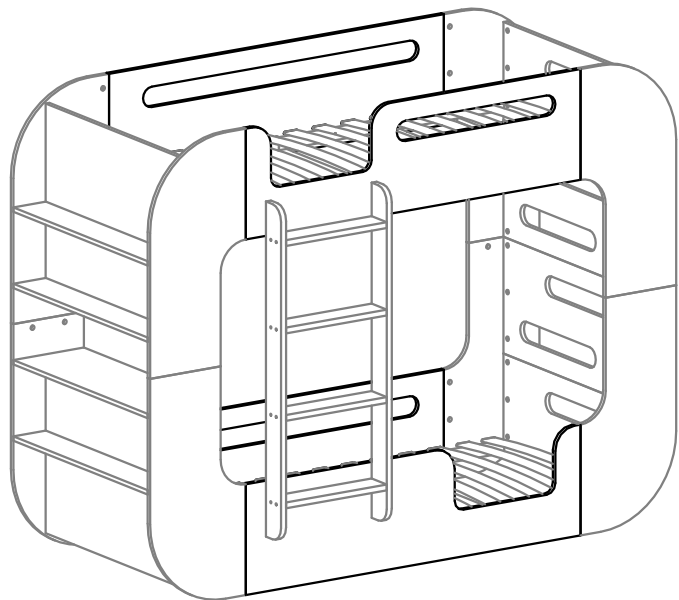
## PLEASE READ BEFORE ASSEMBLY:

- 1) Make sure there is **free space** for installation.
- 2) Before fully unpacking, please **measure the elements** whether they match the order.
- 3) After unpacking the elements from the cartons please **check the completeness** of the whole set with the assembly instruction. - If you check and find that something is missing  
- let us know, we will check the packaging and when it is necessary we will send the missing parts.
- 4) Think about whether you will need help with the assembly, if you find it necessary, find a assistant. (We **recommend two people to assemble** the bunk beds).
- 5) We recommend installing wooden pins on a **hard flat surface**  
(you can use the cardboard from the packaging).
- 6) When using a hammer to hammer in the woodpins, remember not to use too much force, and the element should be **placed on a flat hard surface**.

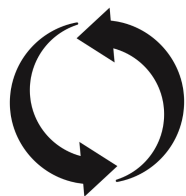
### REMEMBER!

**NEVER HAMMER THE WOODPINS TO THE PARTS IN THE AIR**

If you want to have shelves on the other side  replace the long elements in the instructions as below

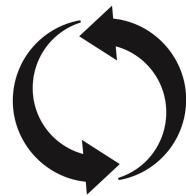


BDGT

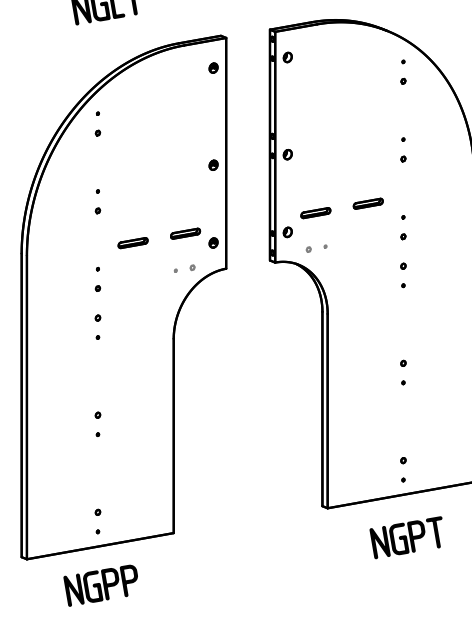
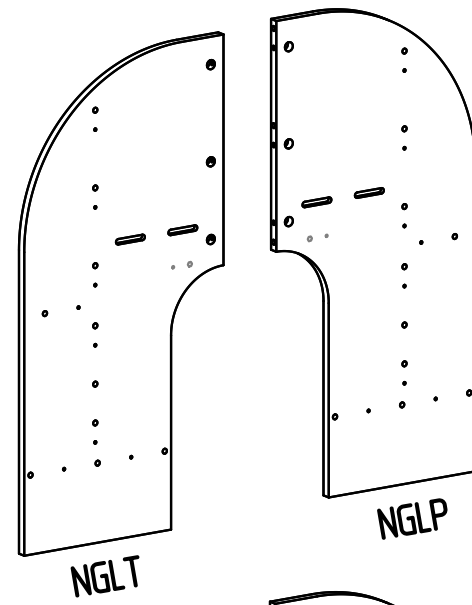
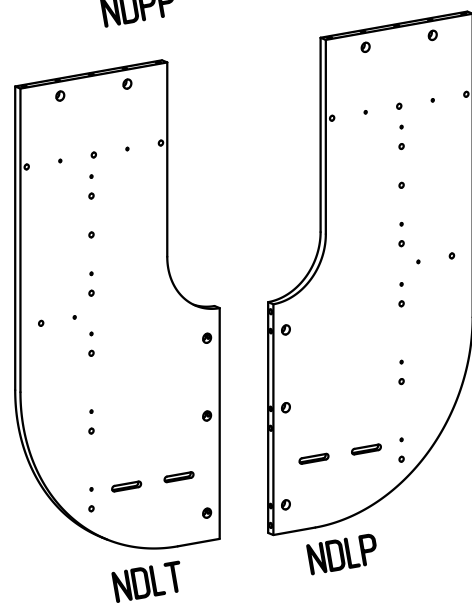
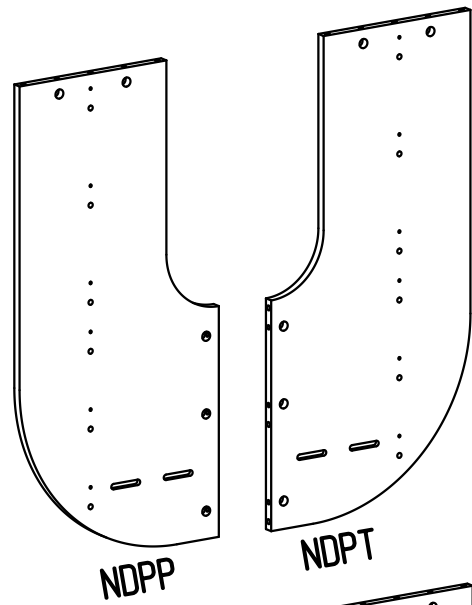
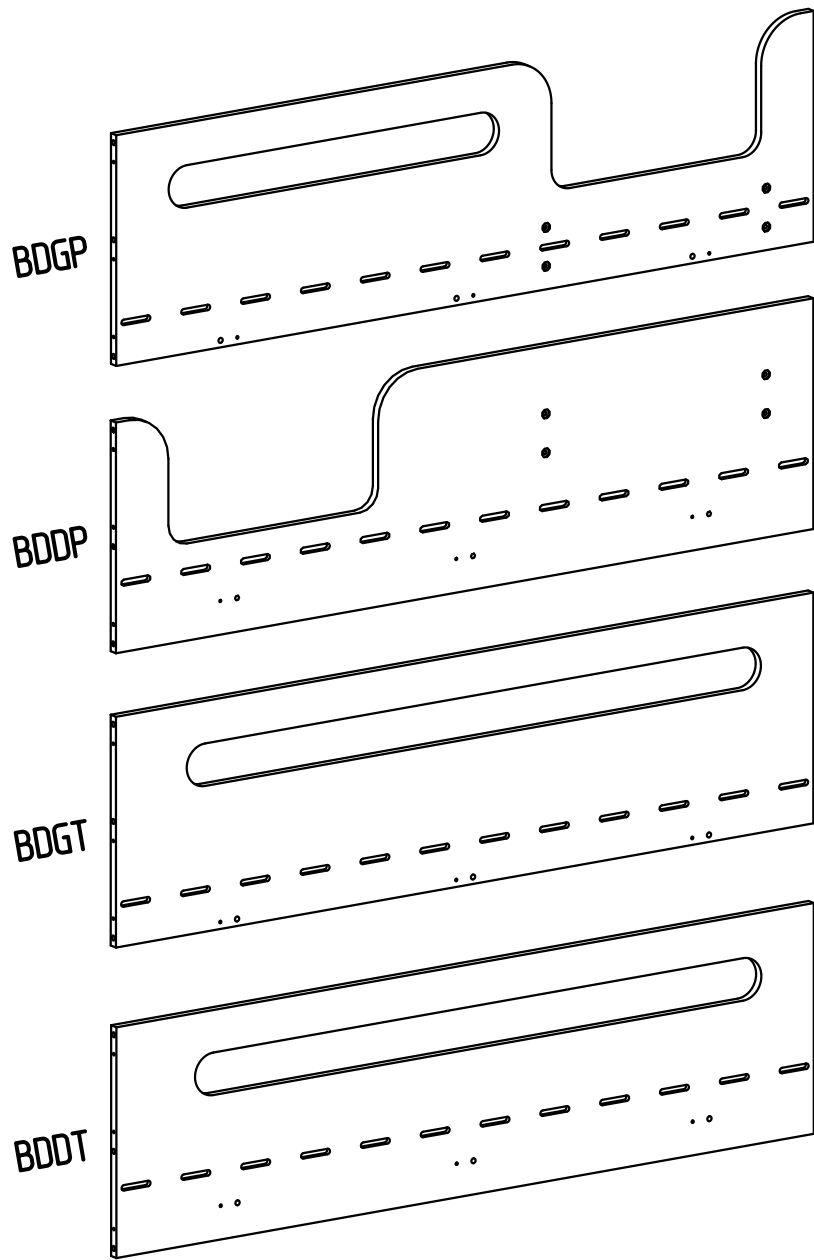


BDGP

BDDT

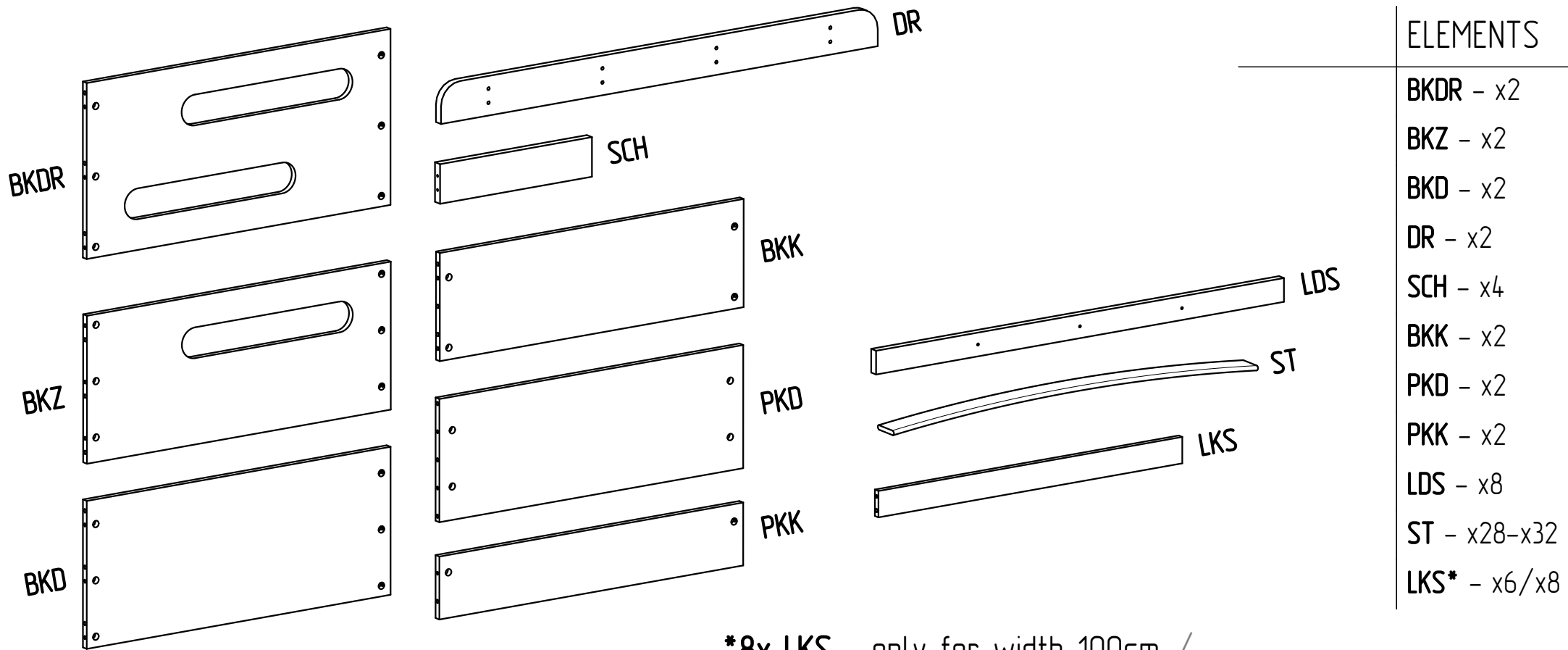


BDDP



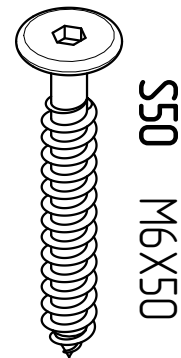
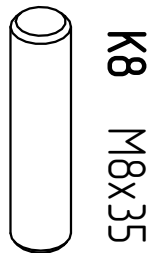
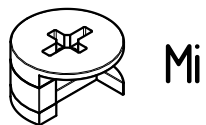
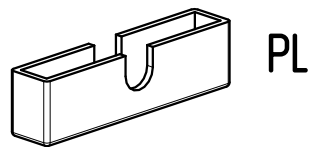
ELEMENTS

BDGP - x1	BDGT - x1	NDPP - x1	NDPT - x1	NGLT - x1	NGLP - x1
BDDP - x1	BDDT - x1	NDLT - x1	NDLP - x1	NGPP - x1	NGPT - x1



ELEMENTS	
BKDR	- x2
BKZ	- x2
BKD	- x2
DR	- x2
SCH	- x4
BKK	- x2
PKD	- x2
PKK	- x2
LDS	- x8
ST	- x28-x32
LKS*	- x6/x8

\*8x LKS - only for width 100cm /

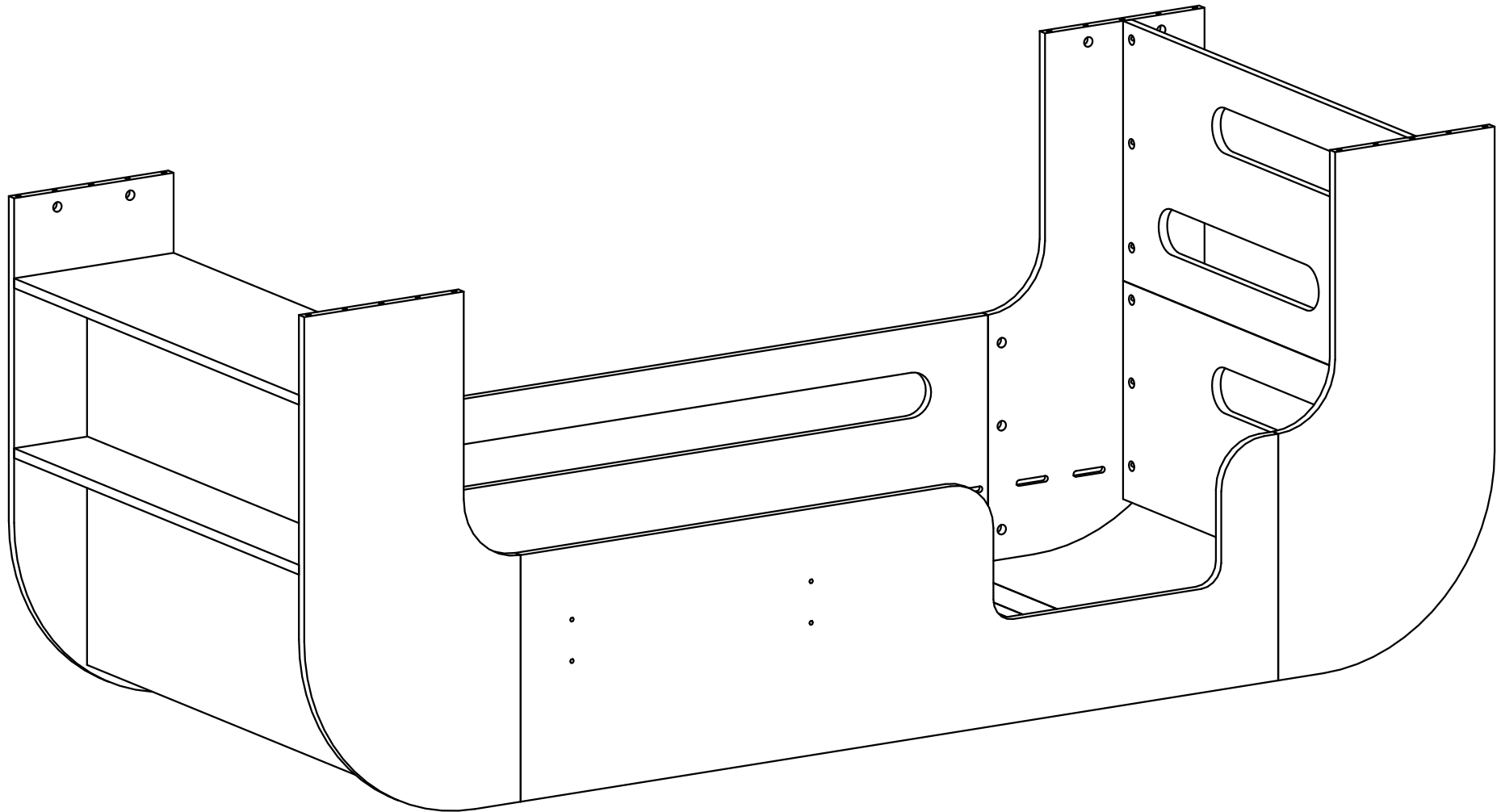


### SCREWS

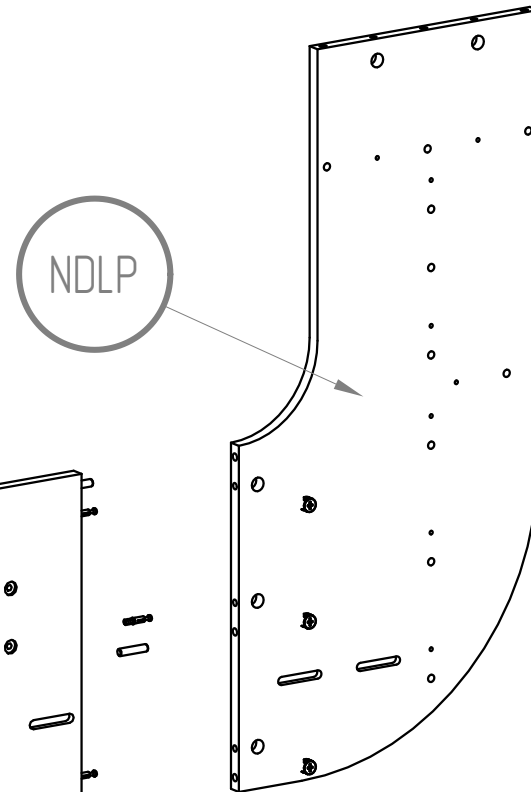
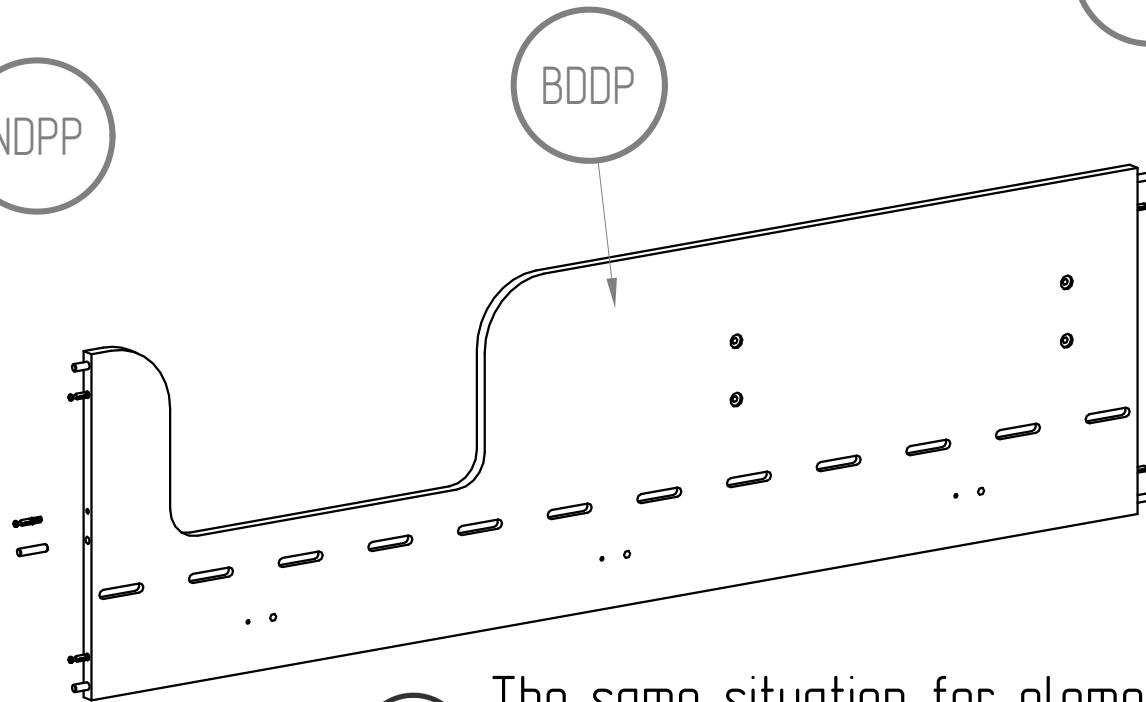
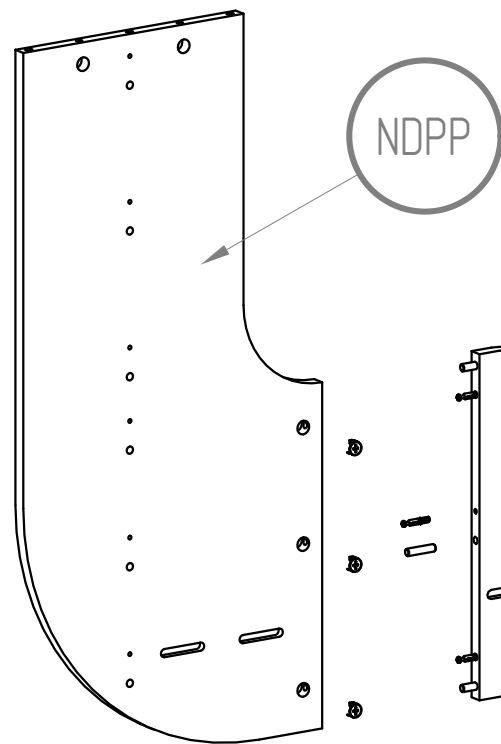
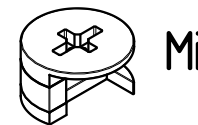
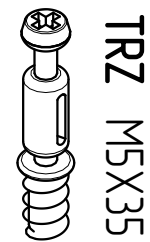
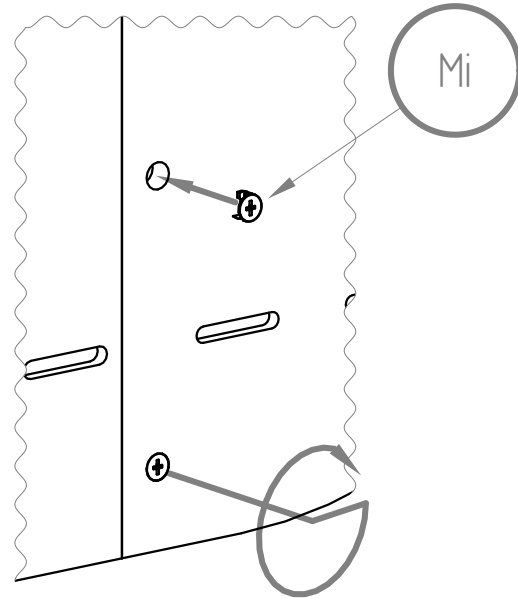
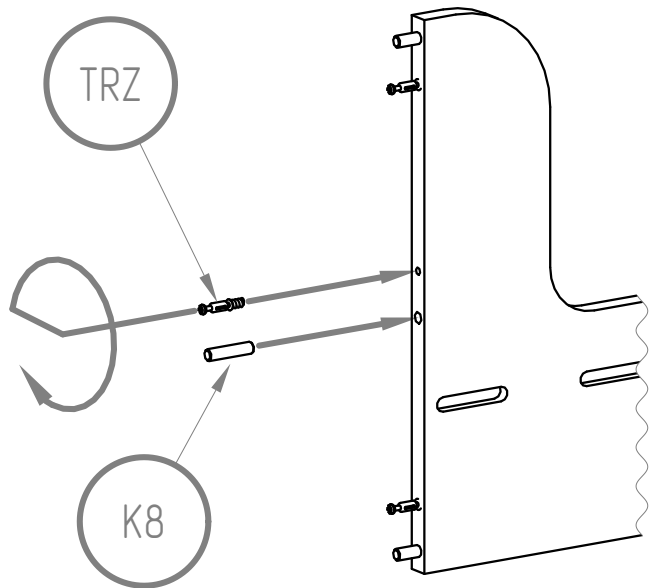
S50	x24
TRZ	x104
K8	x116
W25	x24
PL	x56-x64
Mi	x104

In the first step assembly the lower bed

---





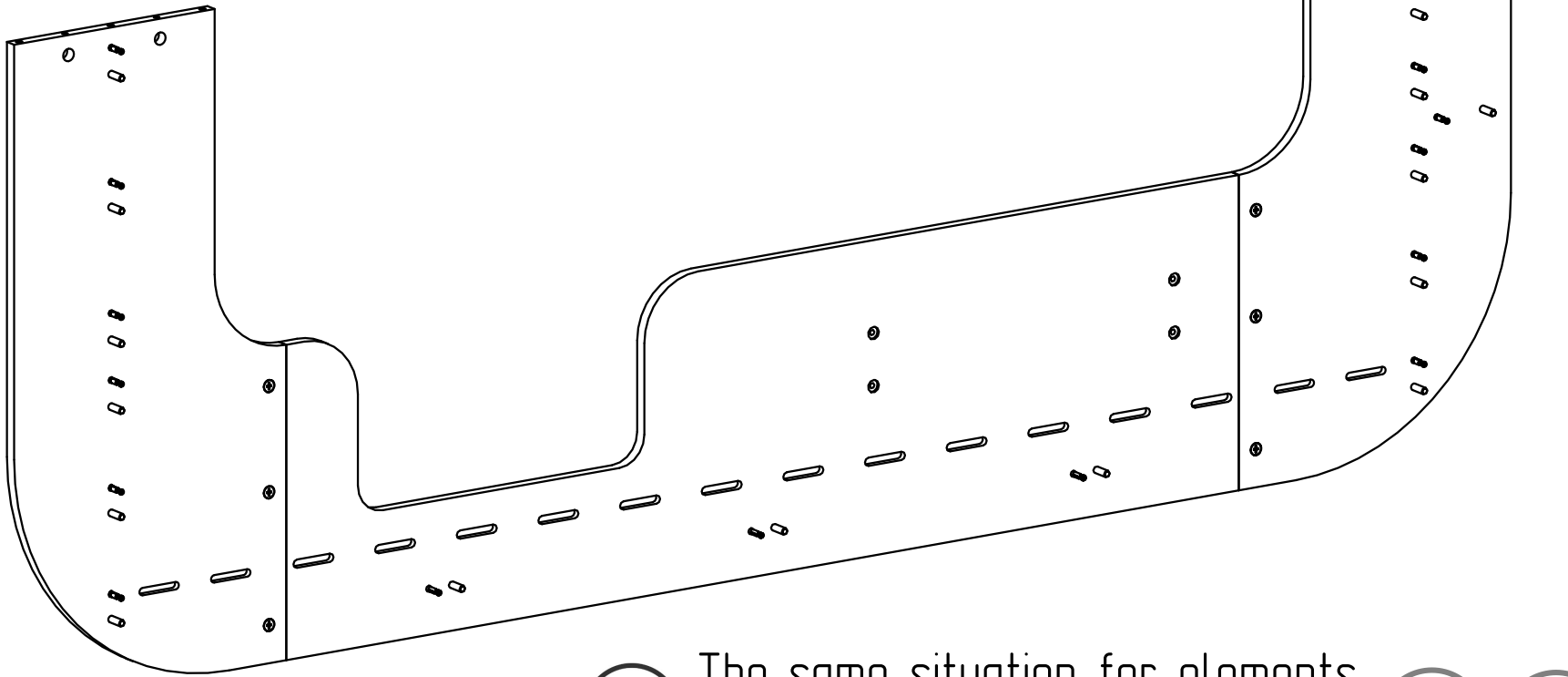
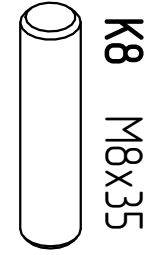
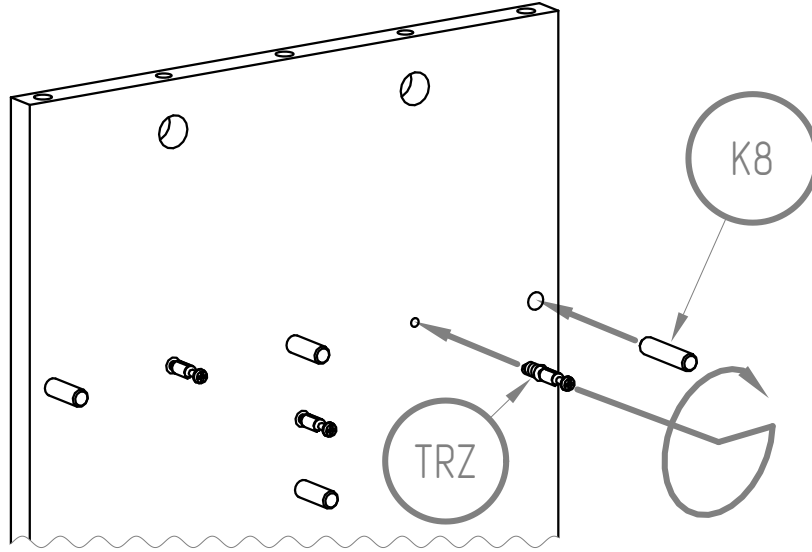
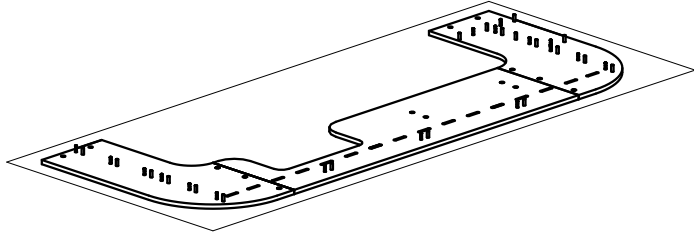


The same situation for elements



## Recommendation

Assembly on the floor



The same situation for elements

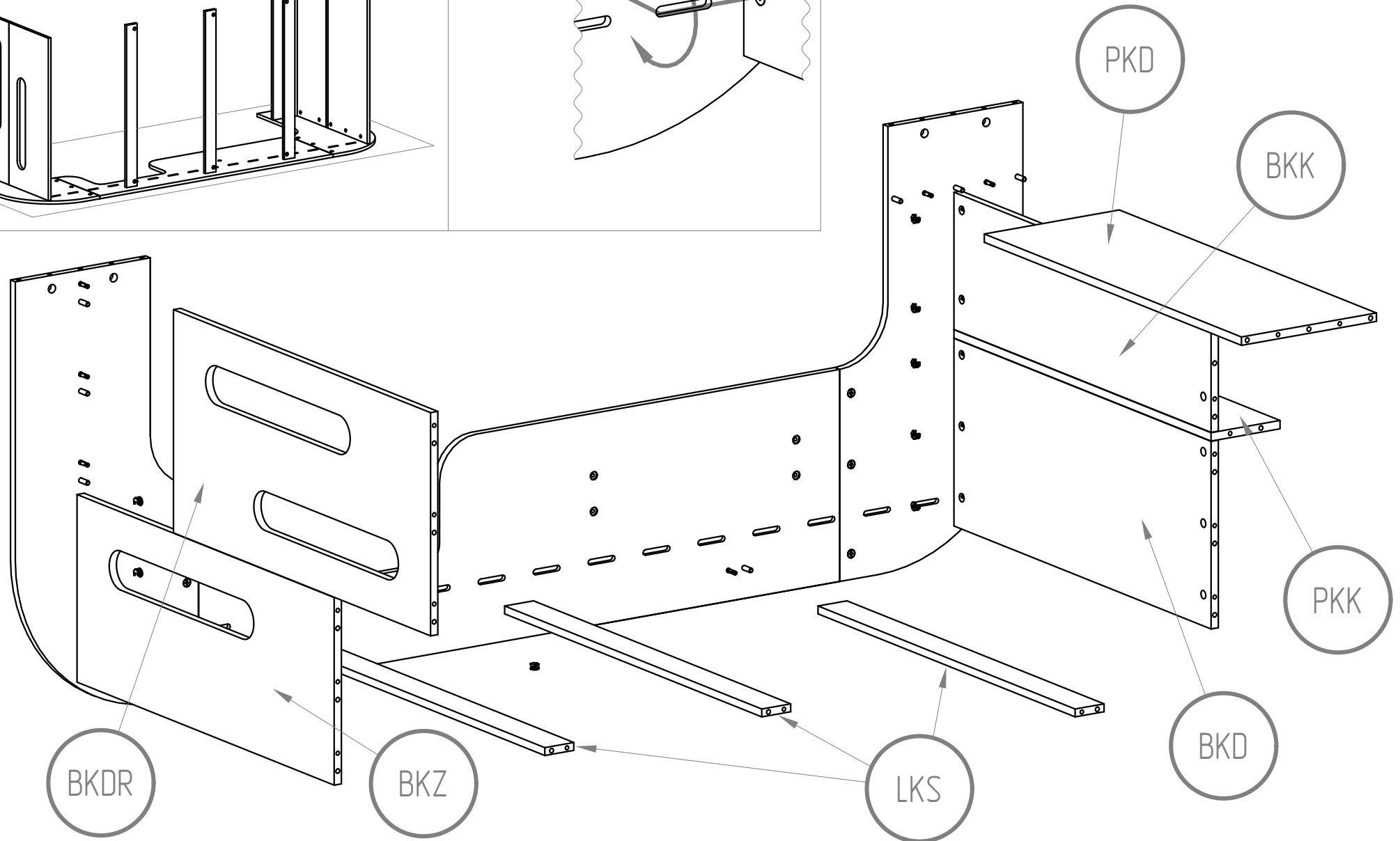
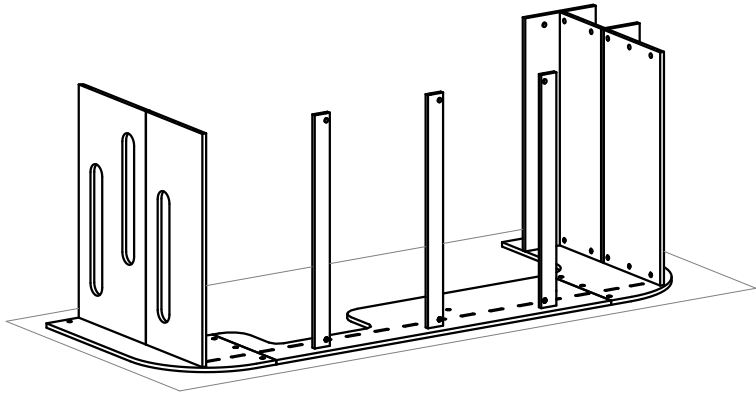
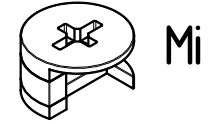
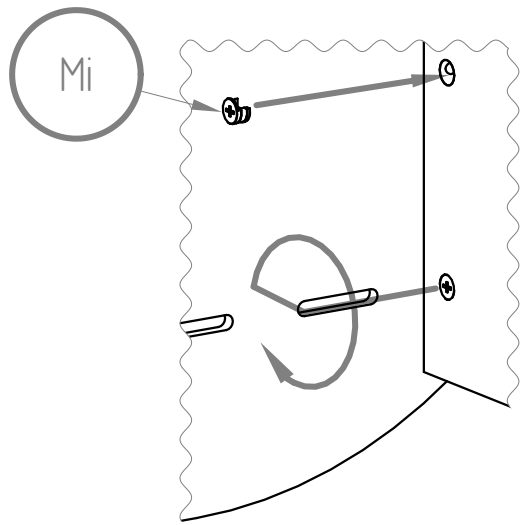
BDDT

NDLT

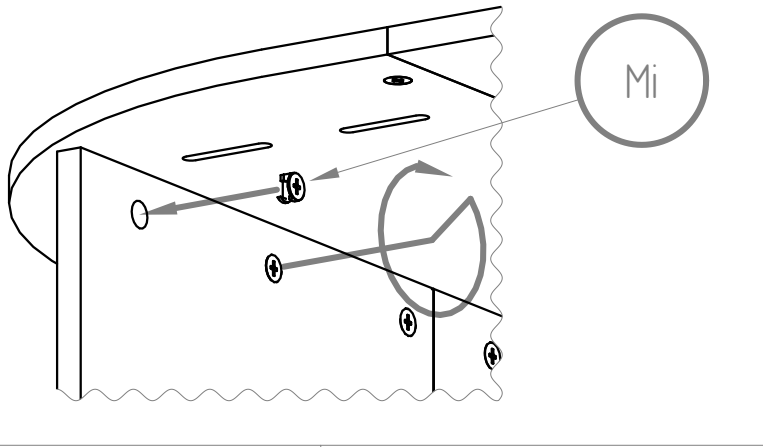
NDPT

# Recommendation

Assembly on the floor



Before assembly, see pages 5 and 6

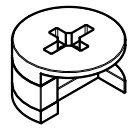
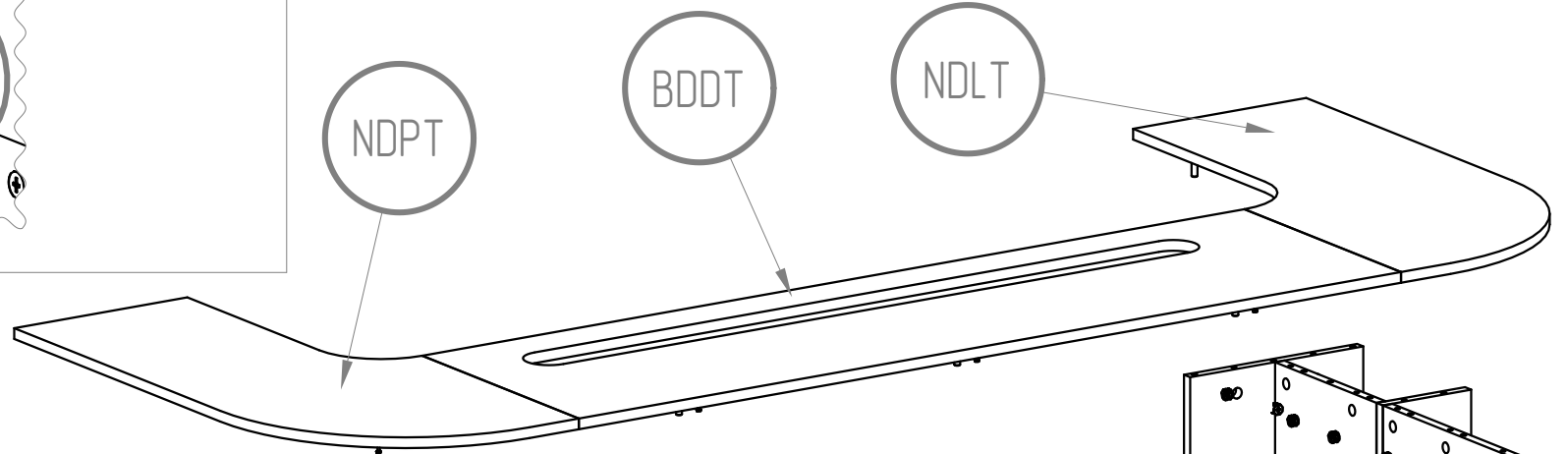


Mi

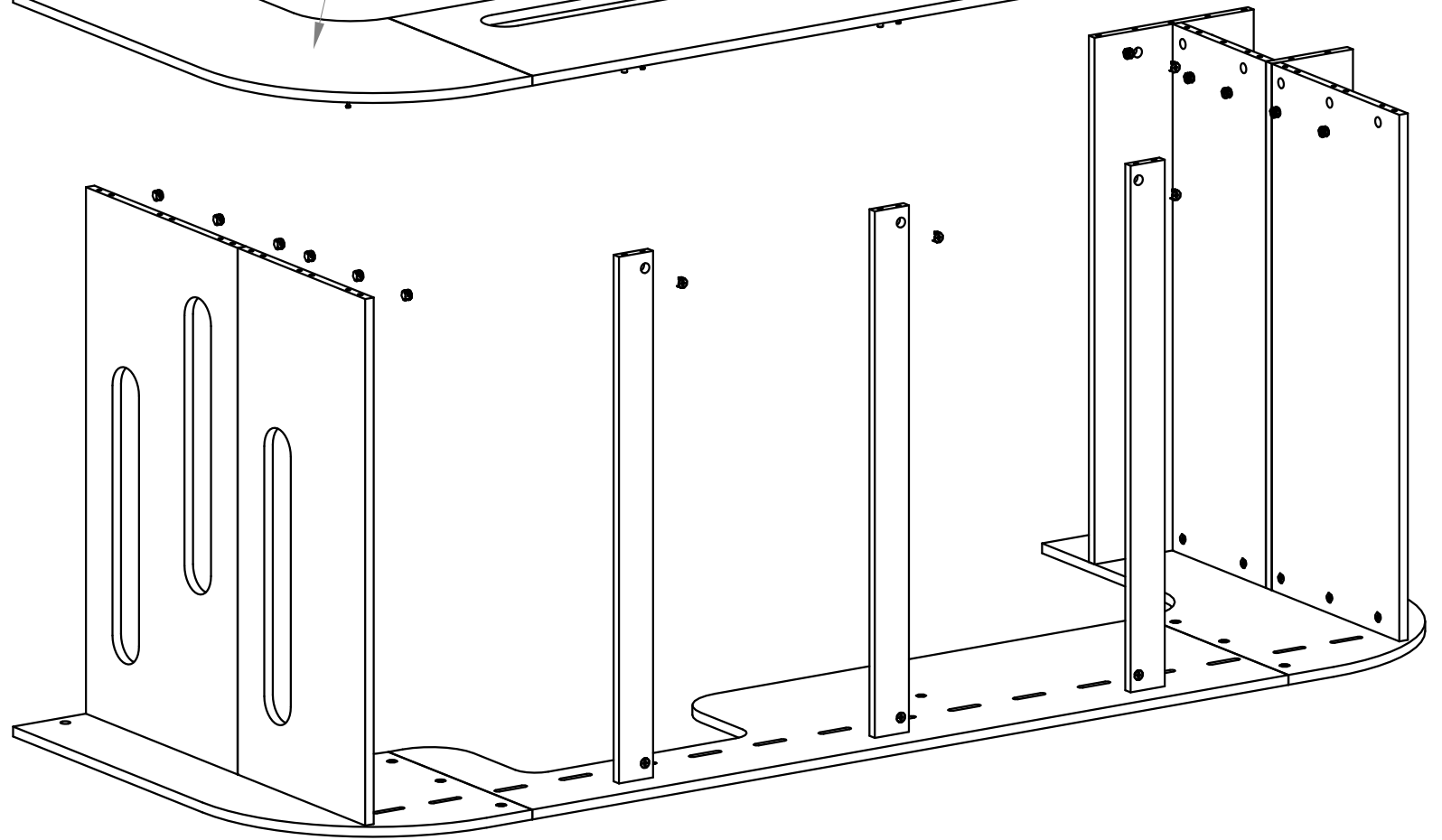
NDPT

BDDT

NDLT

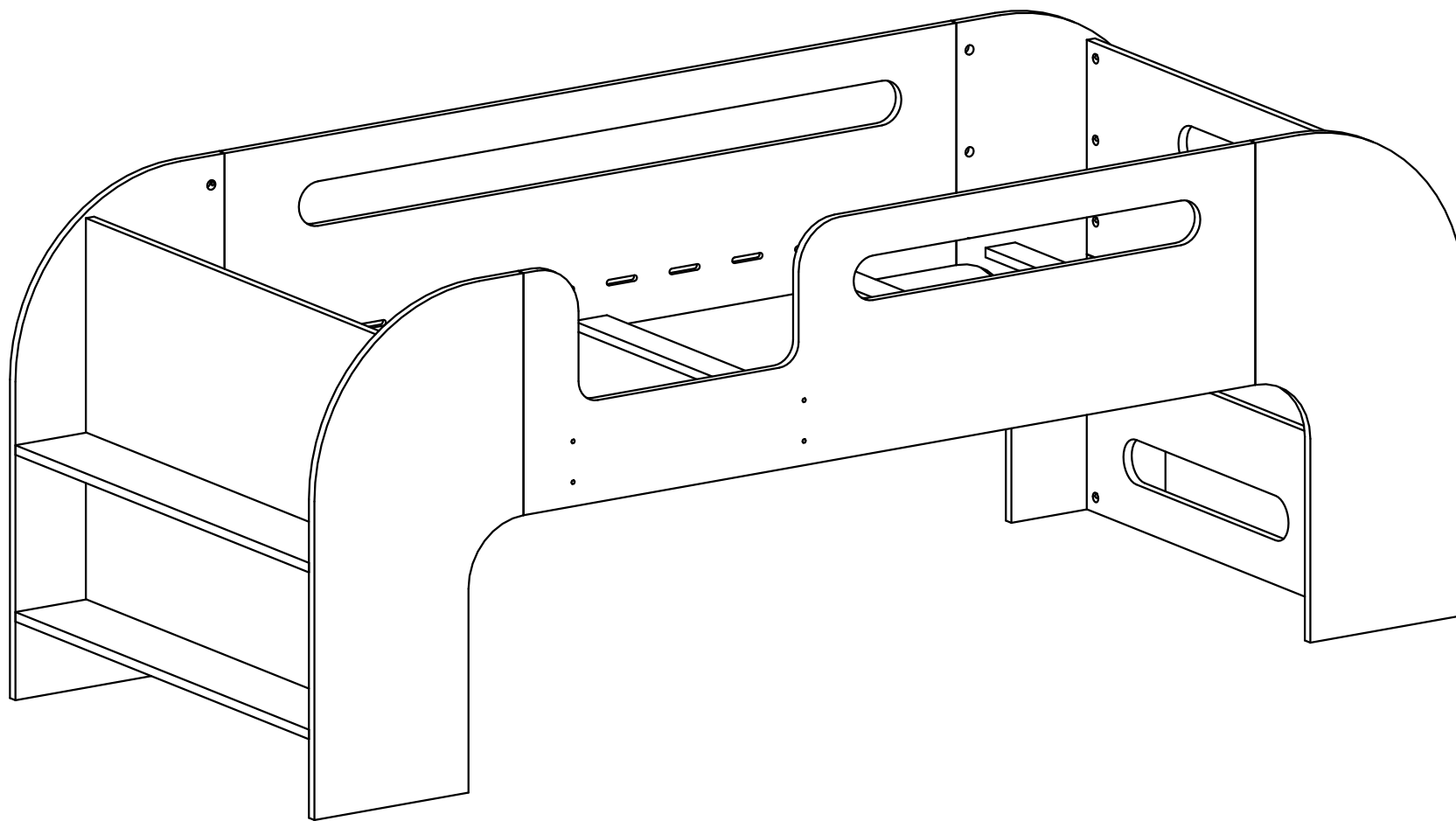


Mi



In the second step assembly the upper bed

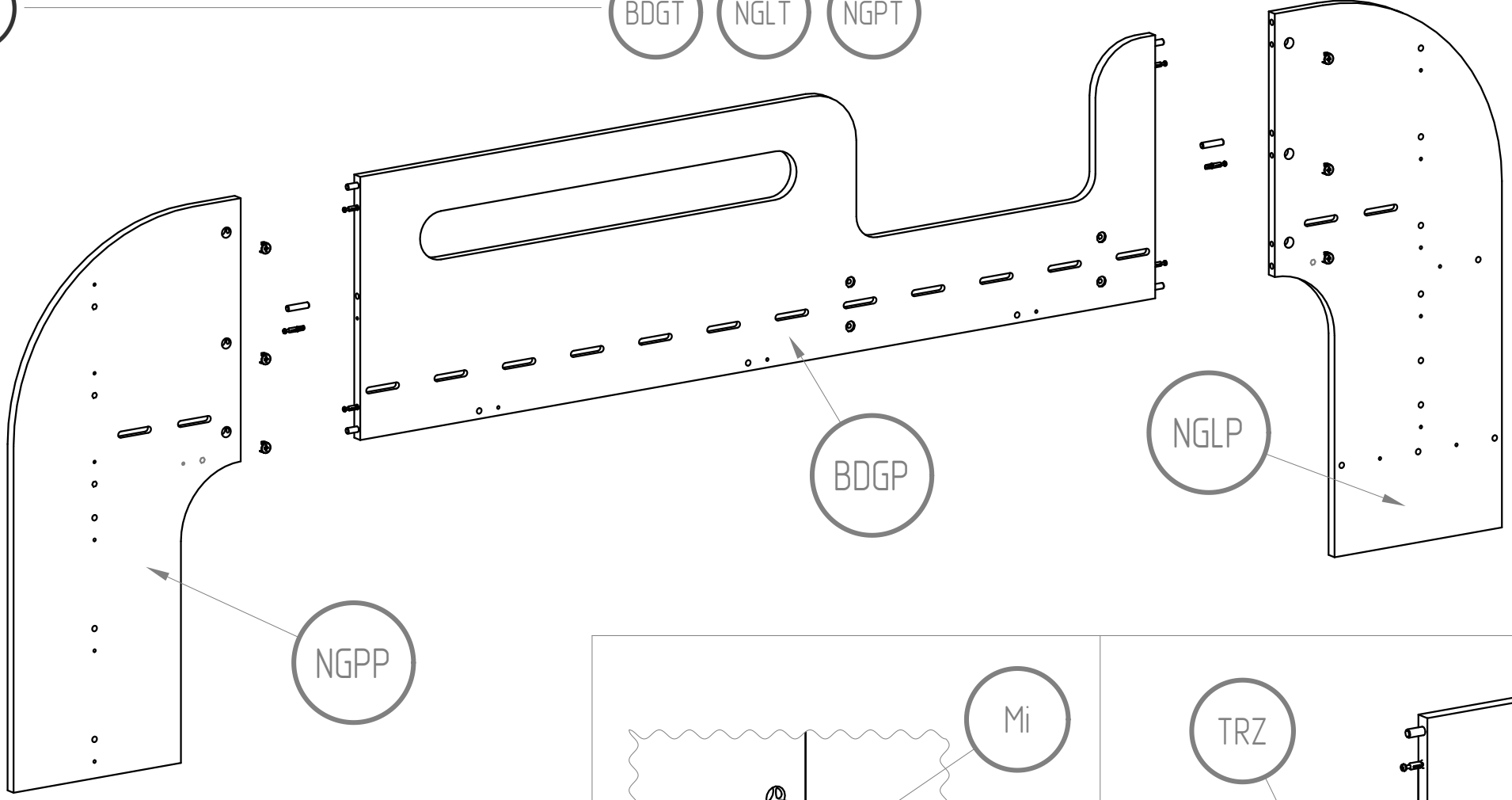
---





The same situation for elements

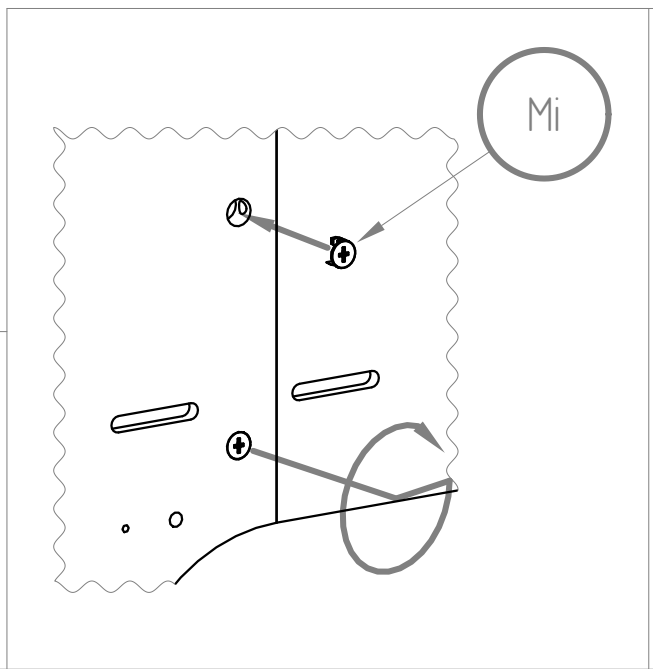
BDGT NGLT NGPT



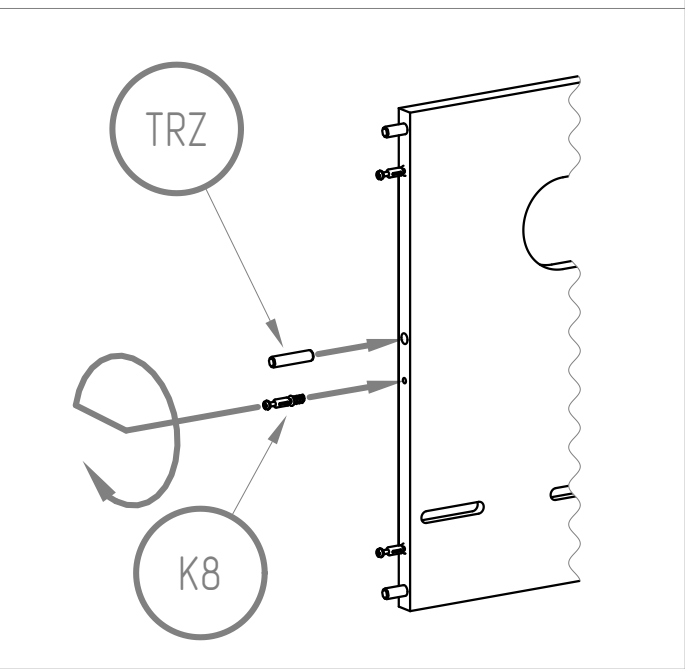
NGPP

BDGP

NGLP

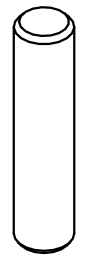


Mi

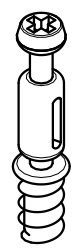


TRZ

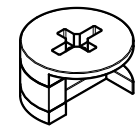
K8



K8 M8X35



TRZ M5X35



Mi

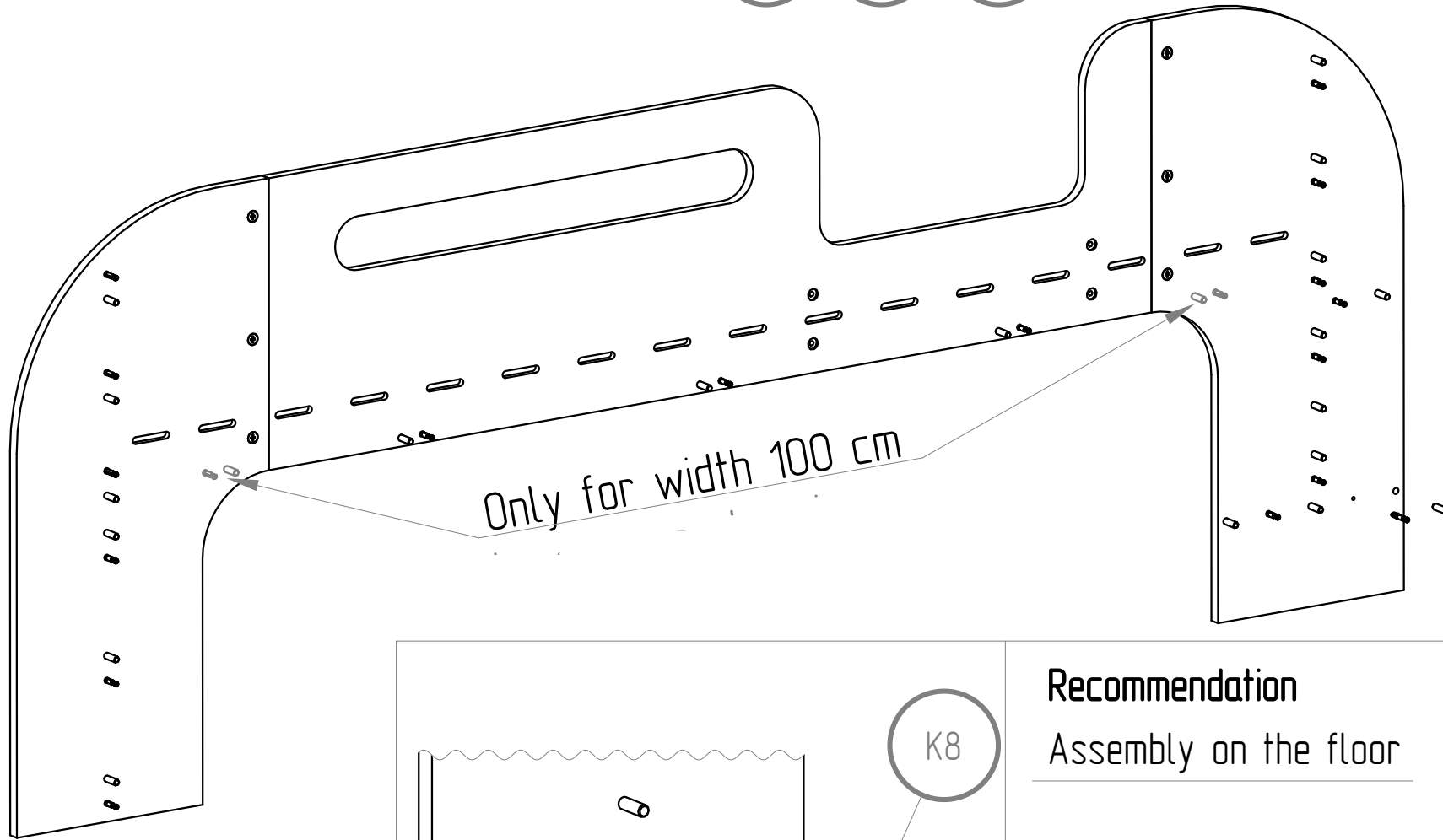


The same situation for elements

BDGT

NGLT

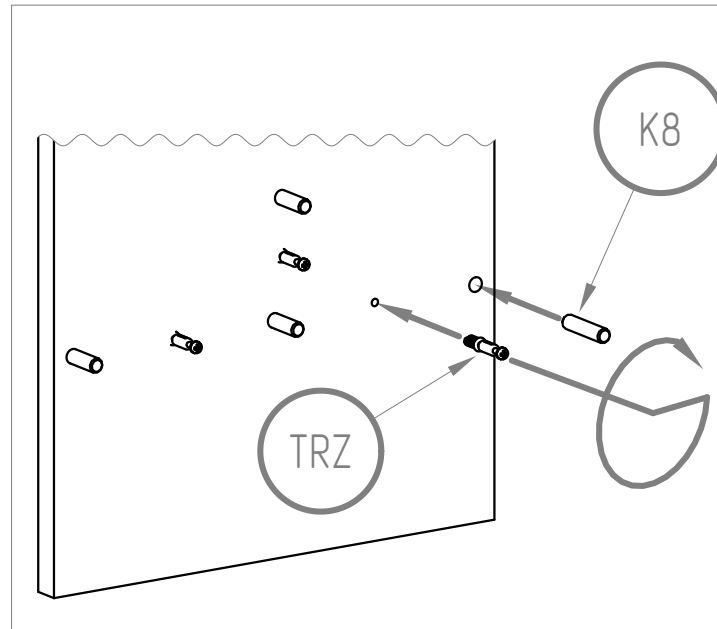
NGPT



TRZ M5X35

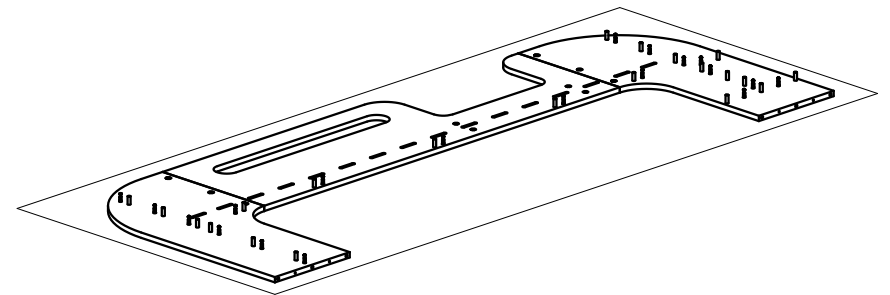


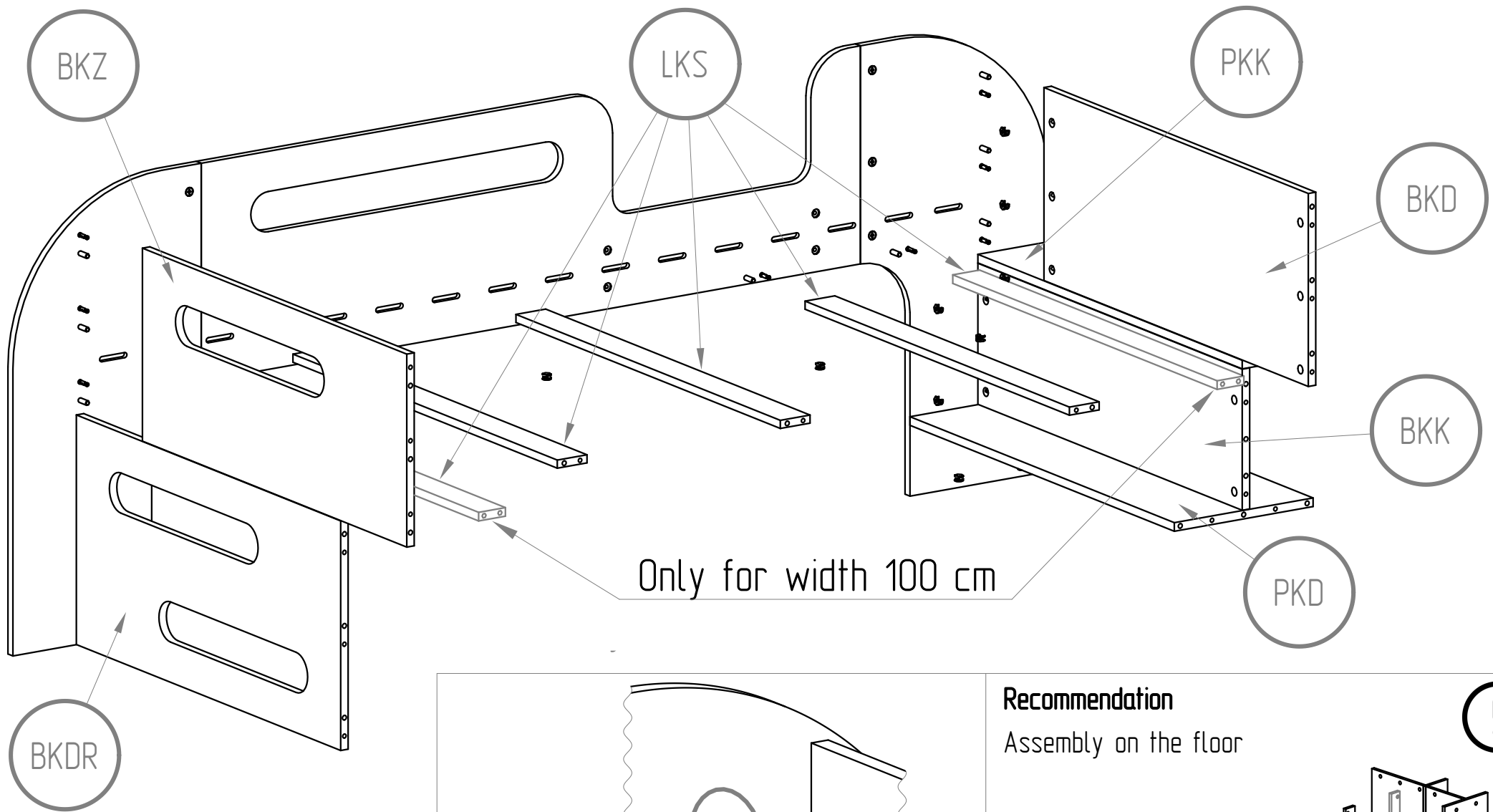
K8 M8X35



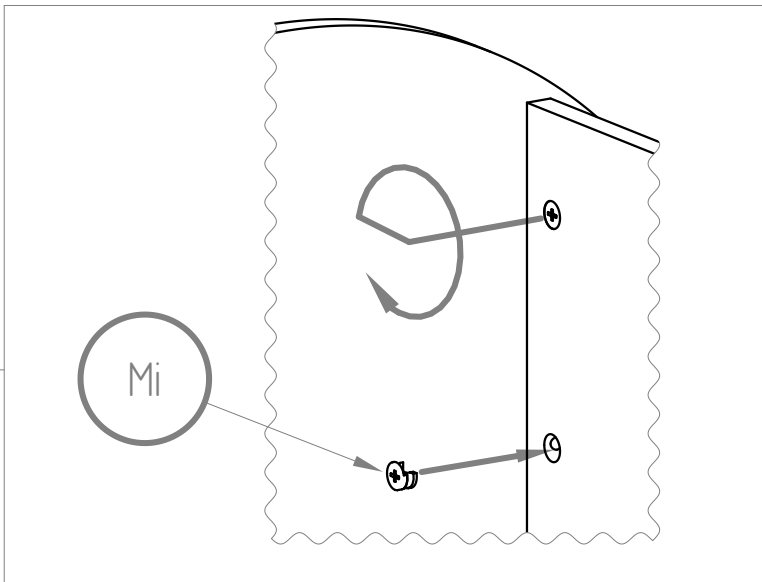
### Recommendation

Assembly on the floor



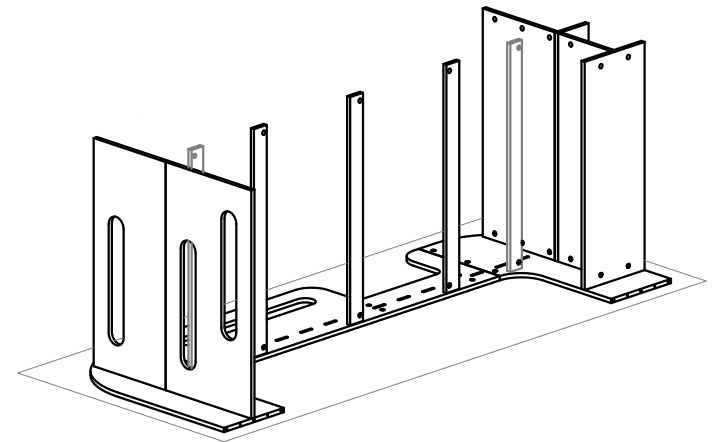


BKDR



**Recommendation**

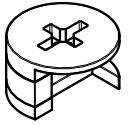
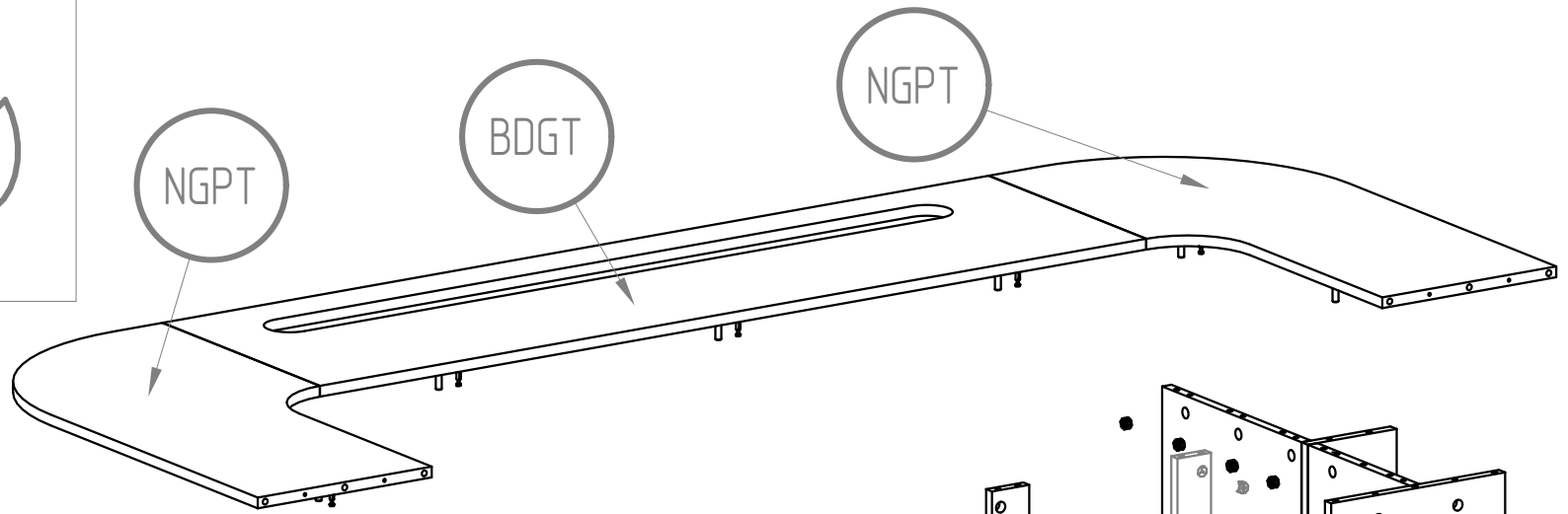
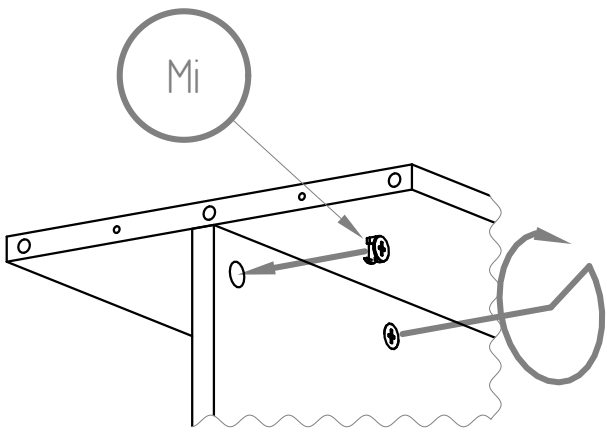
Assembly on the floor



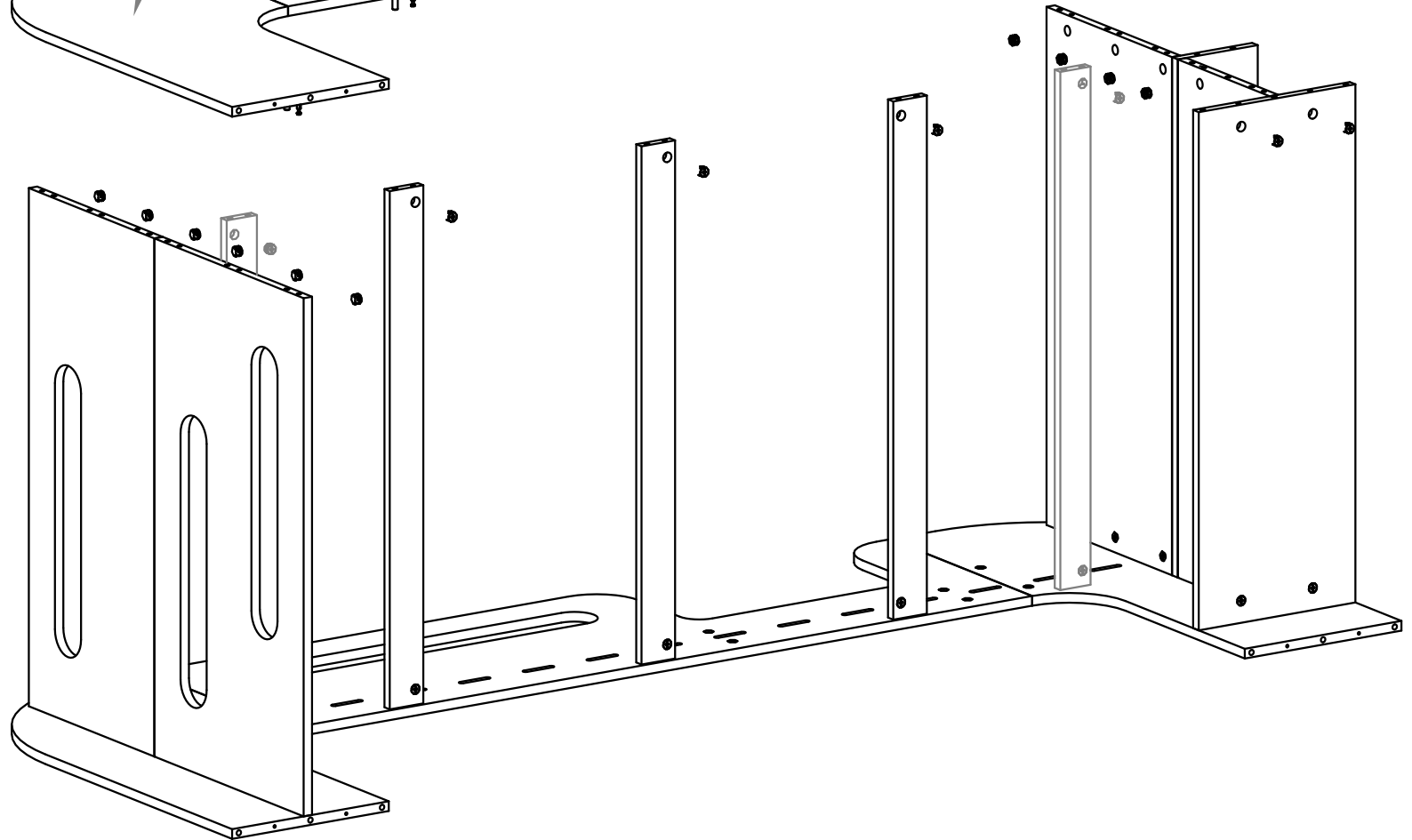


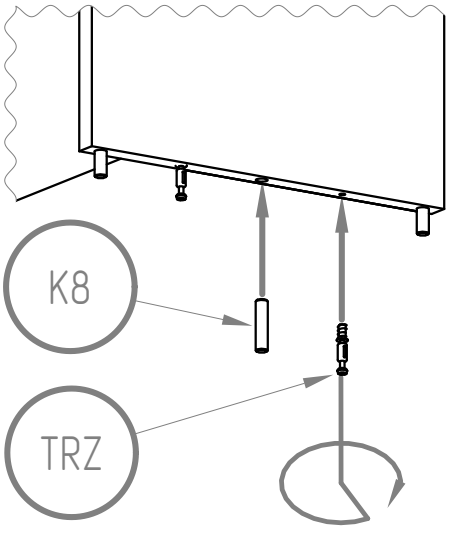
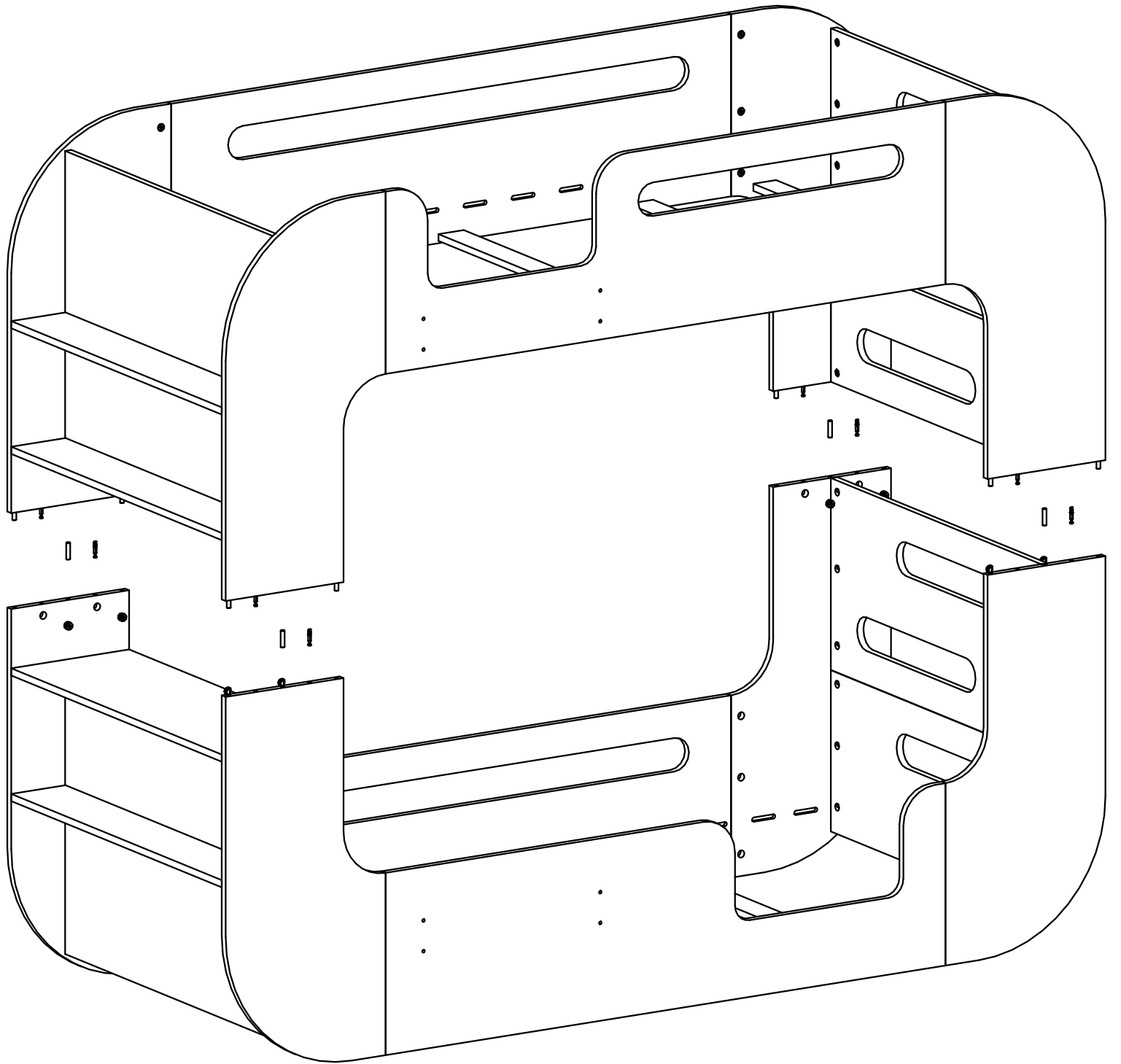


Before assembly, see pages 10 and 11



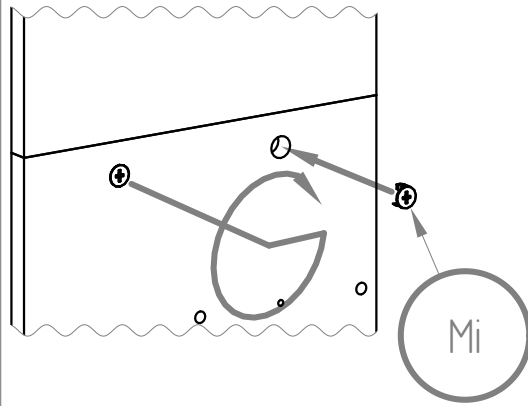
Mi





K8

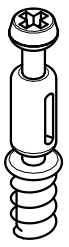
TRZ



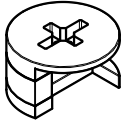
Mi



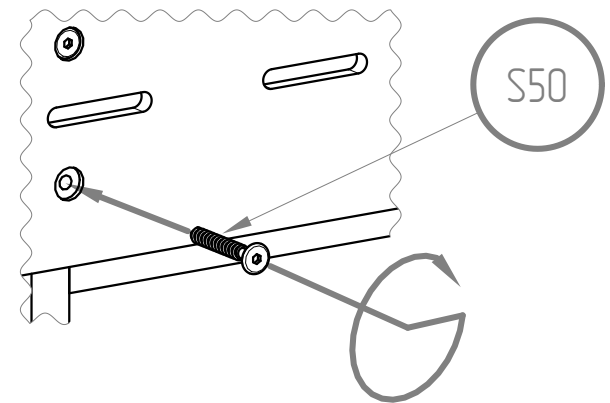
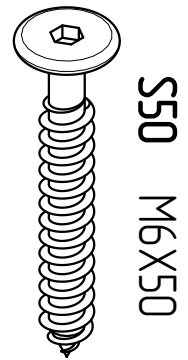
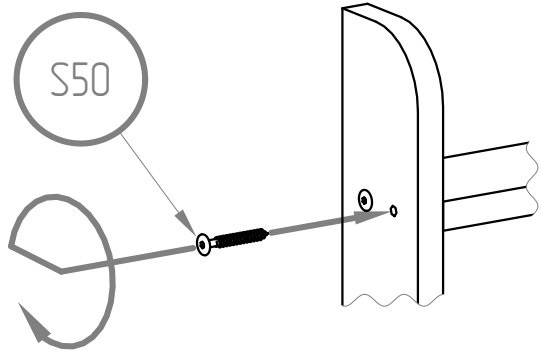
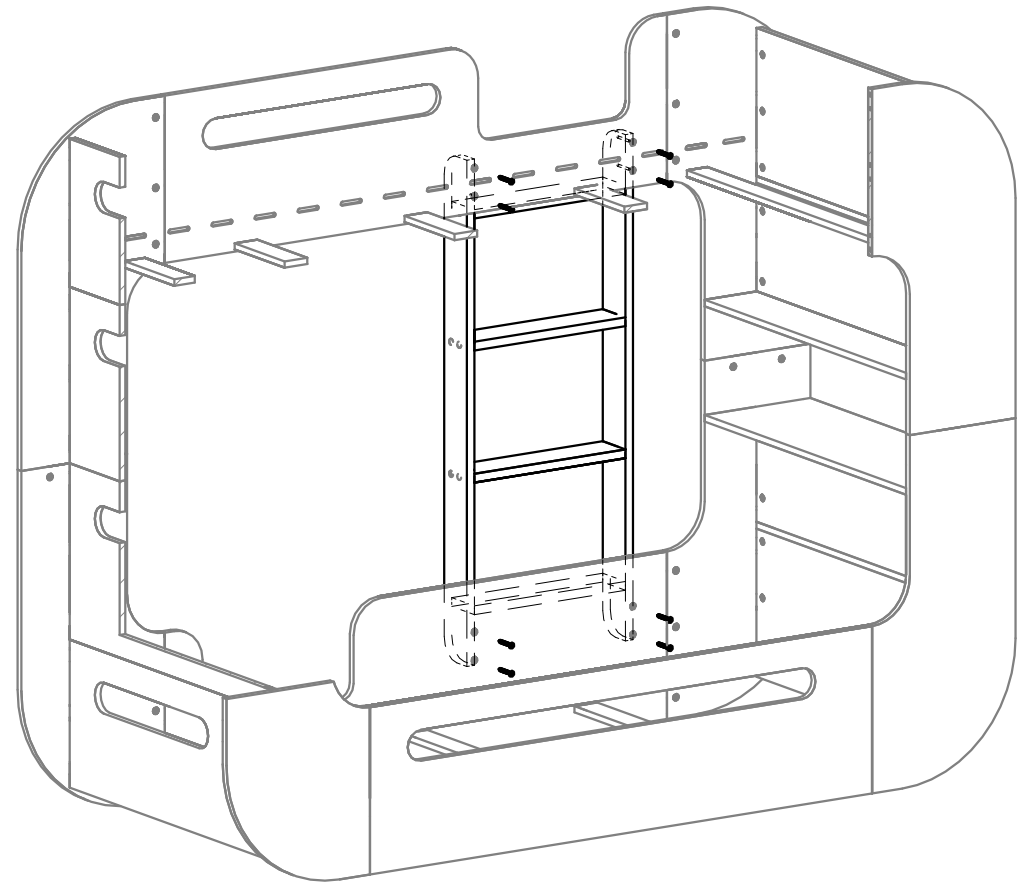
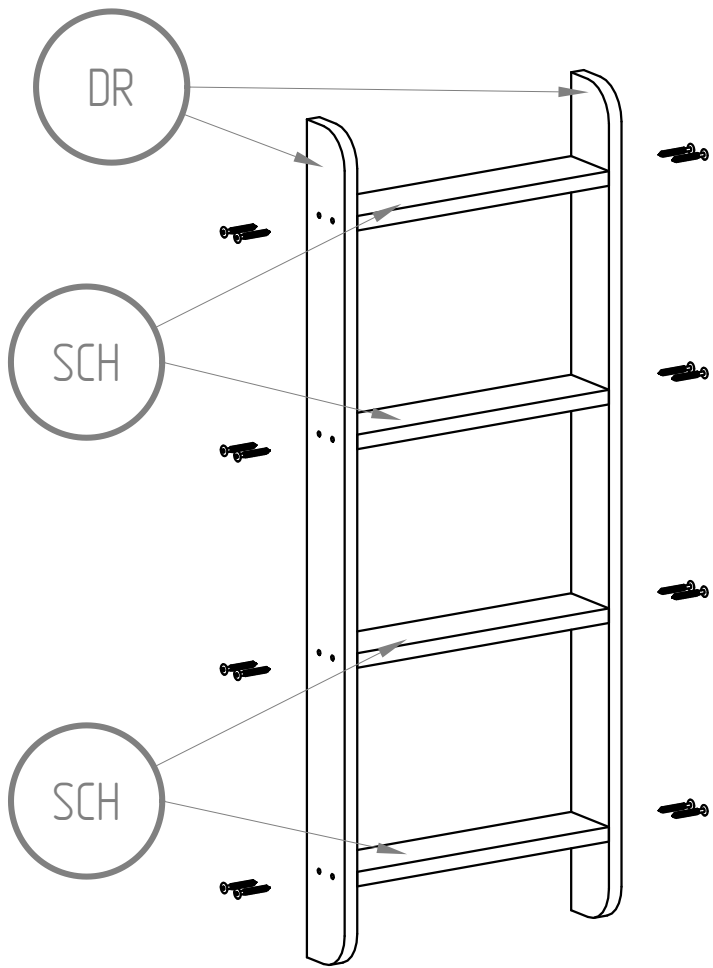
K8 M8X35

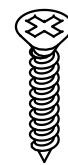


TRZ M5X35

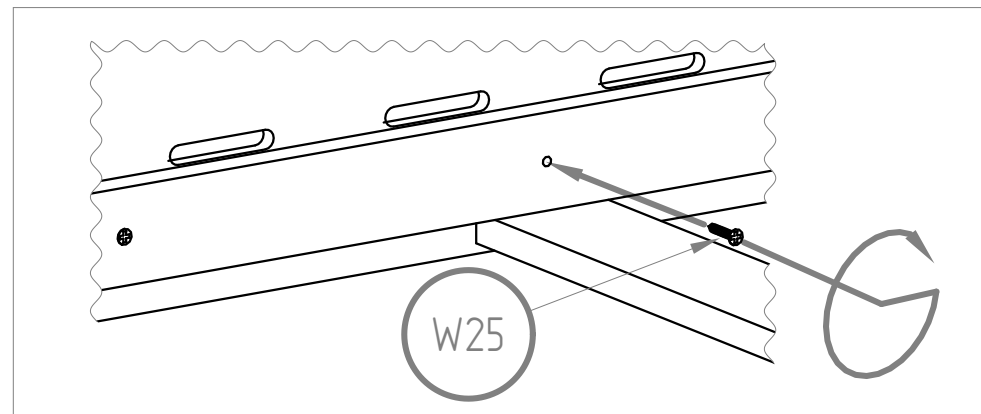
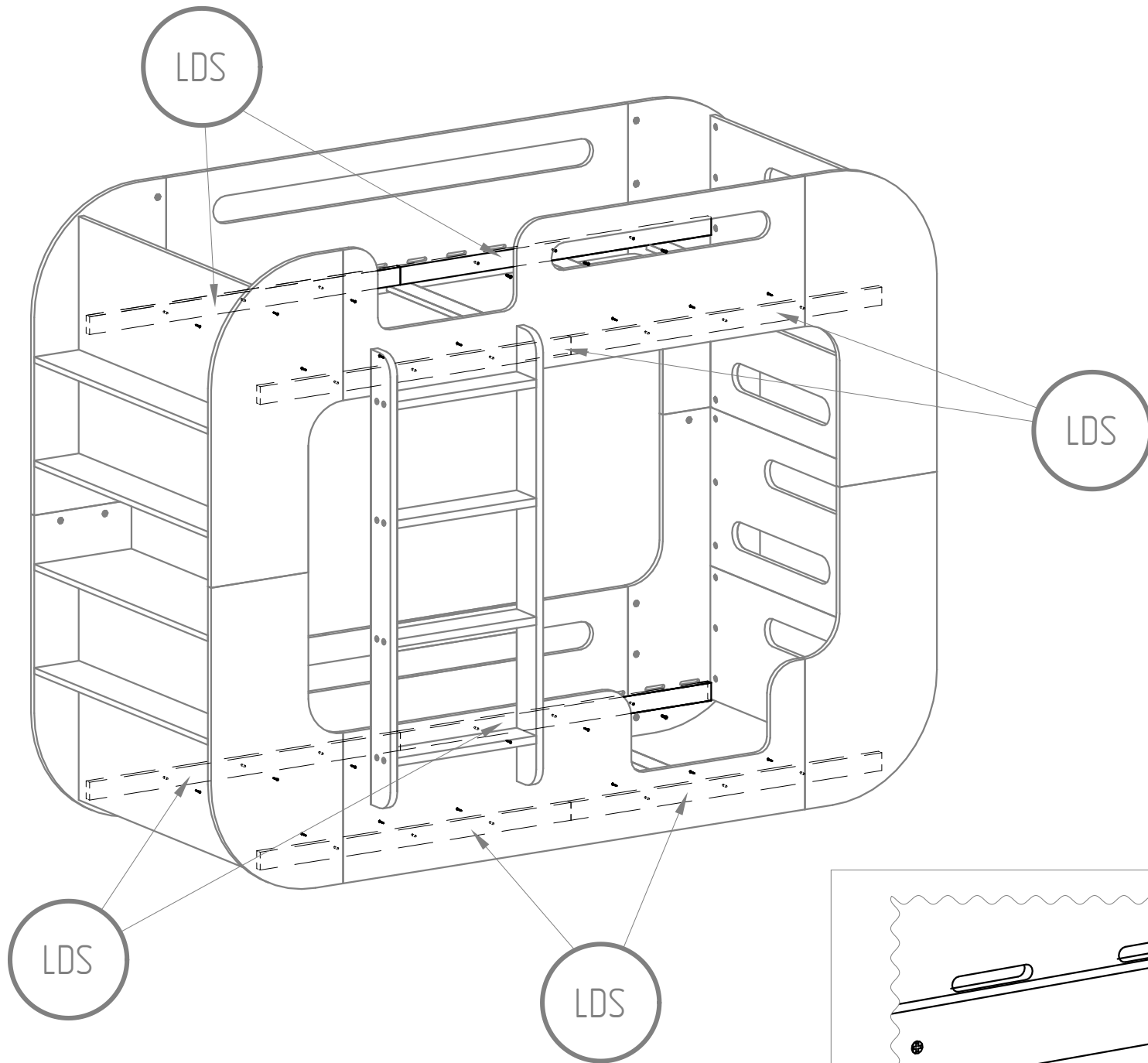


Mi



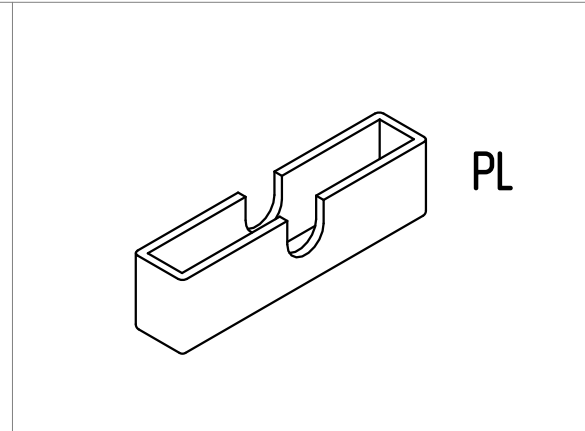
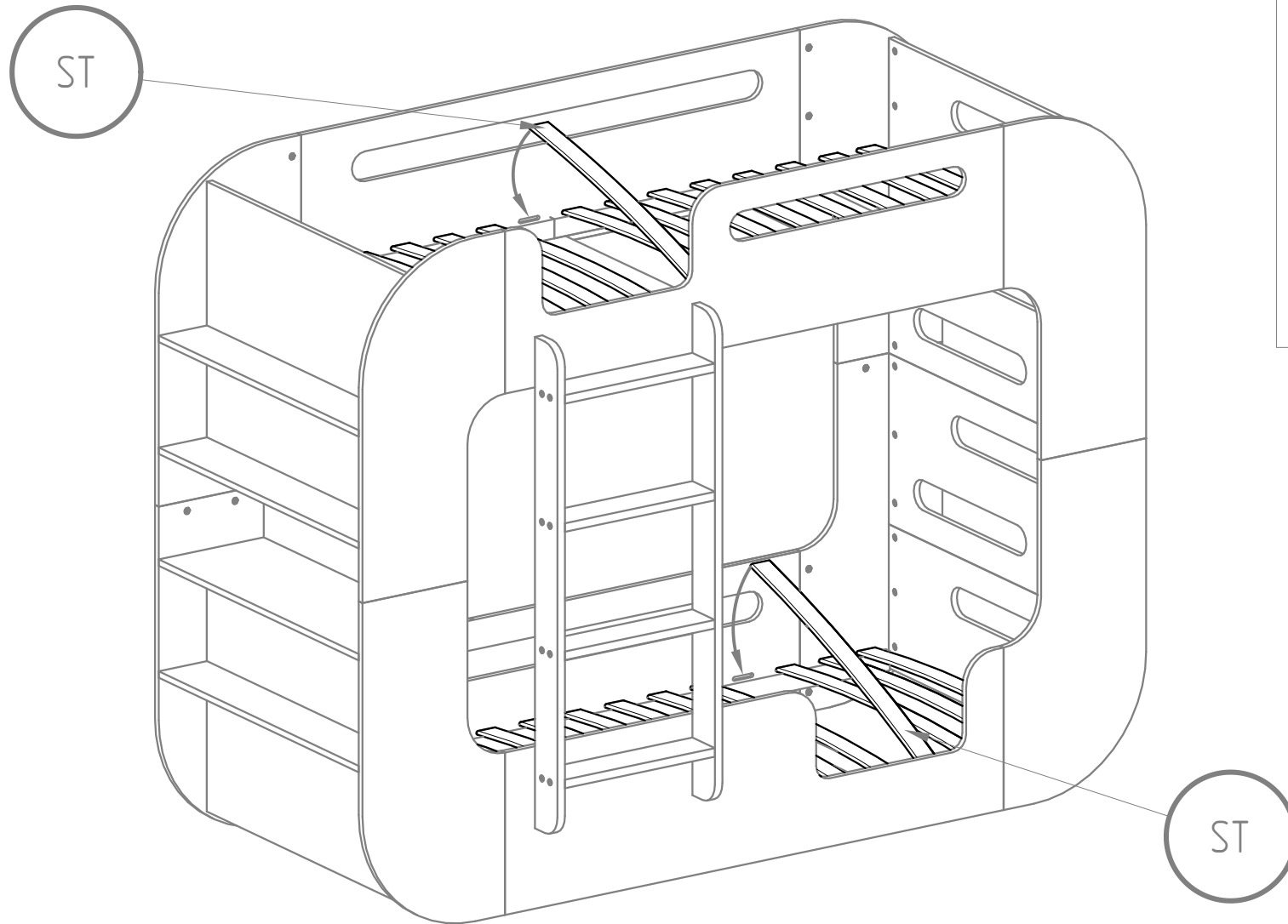
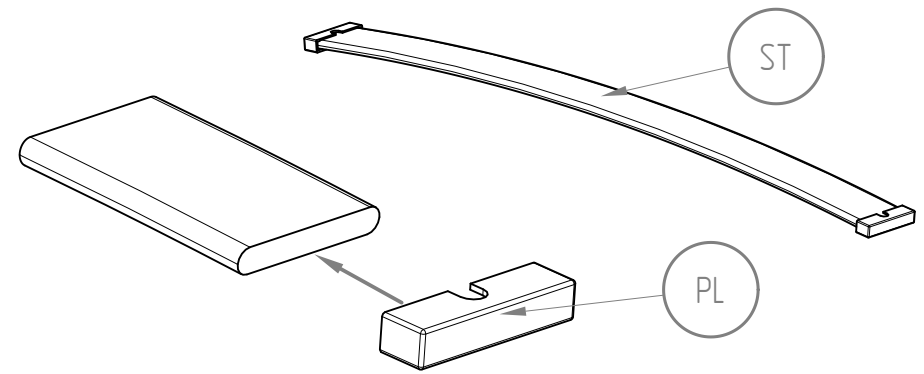


W25 M4X25



# Important!

Install the plastic caps before assembling the ST spring slats to the bed frame



## Woohoo!

High-fives all around for a job well done.

We hope your little one is over the moon with their new Petit Puk bed. And why not show off all your hard work? Snap a pic and share it with us on Instagram (tag us @petitpuk) or shoot us an email at [info@petitpuk.com](mailto:info@petitpuk.com). We love seeing our creations come to life in your wonderful homes!

Now, before your kid dives in headfirst, here are a few friendly reminders:

- Stick to mattresses between 8-14 cm thick for the perfect fit.
- Beds are for snoozing, not bouncing
- Keep it safe with just one child on the bunk bed.
- Please, no acrobatics - avoid hanging off any parts of the bed.
- Keep things tidy with a gentle wipe-down of wooden and plastic parts using a dry cloth and mild cleaner.

### **Warranty**

We've got your back with a 2-year warranty on bed parts under normal use. If you ever need a hand or have any questions, don't hesitate to reach out to Team Petit Puk. Just send us a message with your name and order number, along with images of the situation.