






## Assembly Manual for BASIL

Congratulations on your new Petit Puk bed! Get ready to transform your kid's sleeping space into a fortress of imagination, a castle of coziness, and a launchpad for their sweetest dreams! When you follow this step-by-step assembly, you'll breeze through the process.

Quick Checklist:

-  Is everything complete?
-  All pieces in good shape?
-  Do no start adding glue before you made sure all pieces are there and in perfect shape
-  Note! Applying glue to the bed base is **not** mandatory, as it could hinder the disassembly process later on. Let's keep things flexible for future adventures!
-  Ready to take a photo of your great work once completed and share with us?

Ticked all the boxes? Put on your superhero cape, and let's dive into the wonderful world of bed building.

Big wave,  
Team Petit Puk

**Questions?** Reach out via [customercare@petitpuk.com](mailto:customercare@petitpuk.com)

**Compliments?** Tag us on instagram @petitpuk

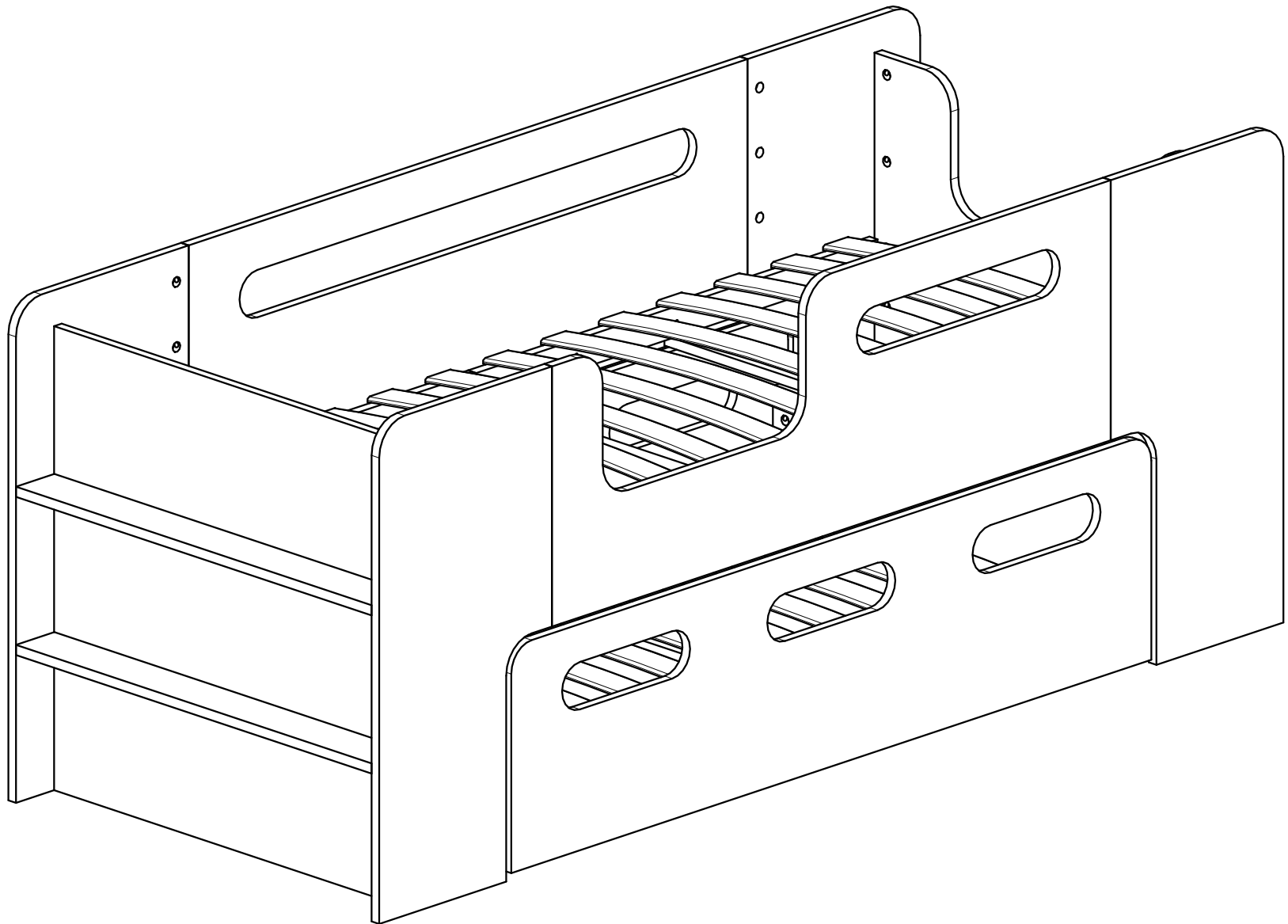
## **PLEASE READ BEFORE ASSEMBLY:**

- 1) Make sure there is free space for installation.
- 2) Before fully unpacking, please measure the elements whether they match the order.
- 3) After unpacking the elements from the cartons please check the completeness of the whole set with the assembly instruction. - If you check and find that something is missing  
- let us know, we will check the packaging and when it is necessary we will send the missing parts.
- 4) Think about whether you will need help with the assembly, if you find it necessary, find a assistant. (We recommend two people to assemble the bunk beds).
- 5) We recommend installing wooden pins on a hard flat surface  
(you can use the cardboard from the packaging).
- 6) When using a hammer to hammer in the woodpins, remember not to use too much force, and the element should be placed on a flat hard surface.

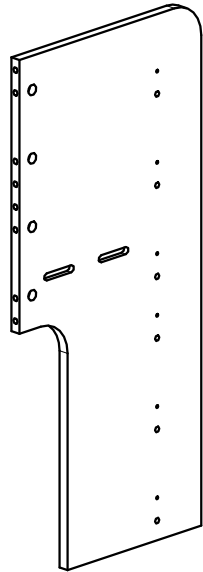
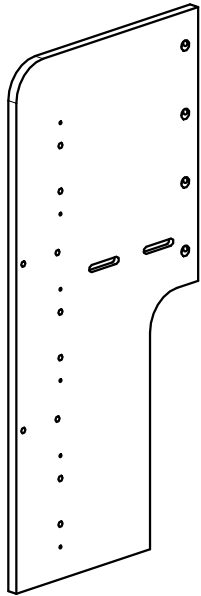
---

### **REMEMBER!**

**NEVER HAMMER THE WOODPINS TO THE PARTS IN THE AIR**

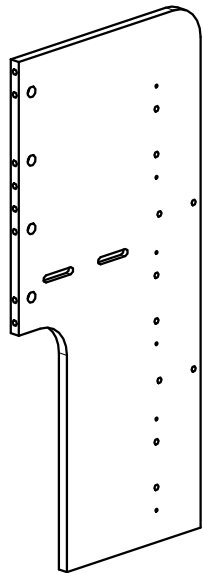
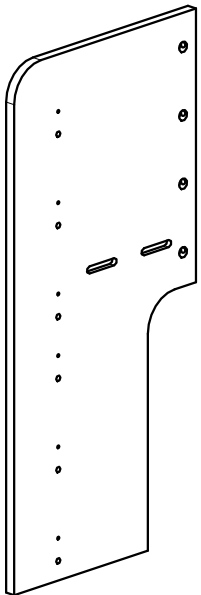


NLT



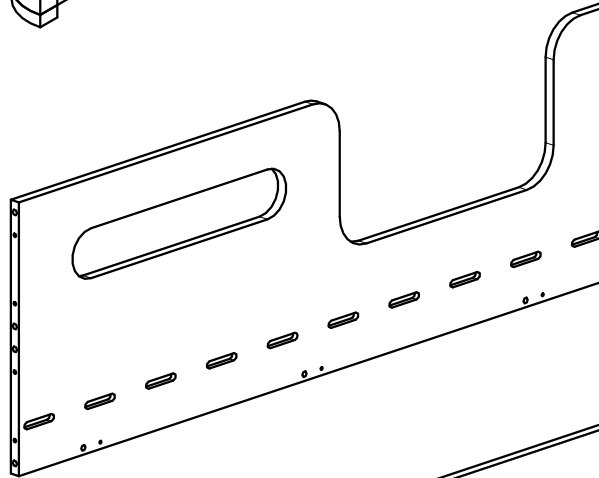
NPT

NPP

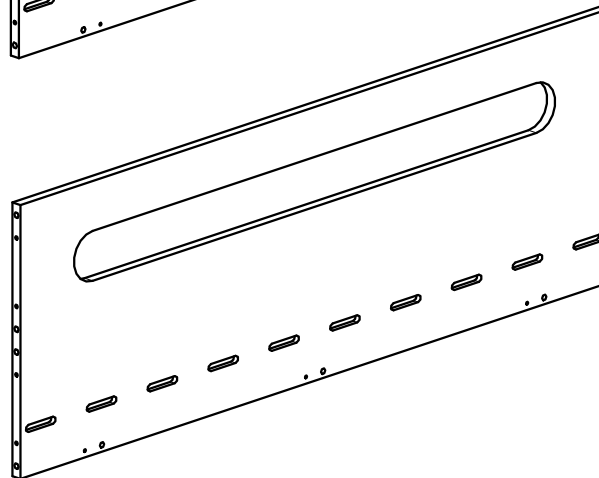


NLP

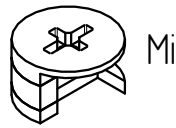
BDP



BDT



K8 M8X35



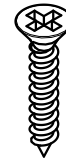
Mi



TRZ M5X35



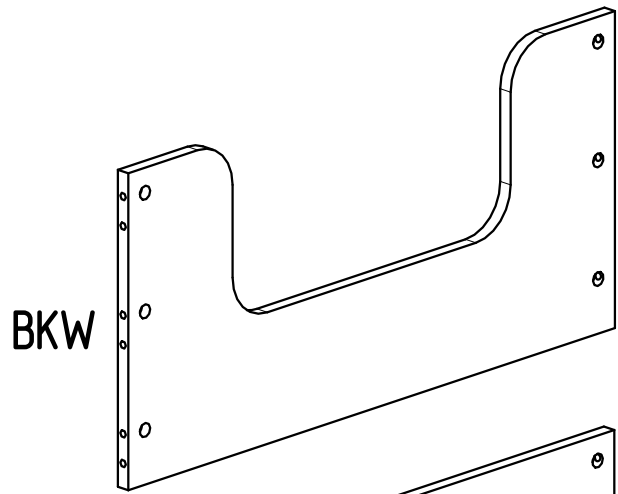
W13 M4X13



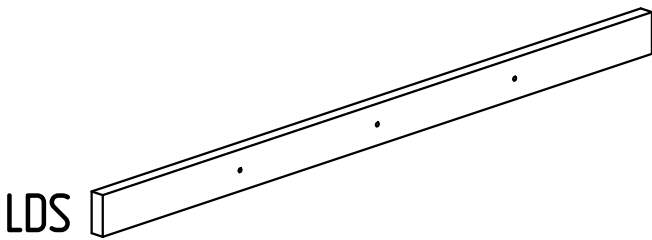
W25 M4X25

SCREWS	
Mi	x58
TRZ	x58
K8	x66
W25	x24
W13	x16

NLT	x1
NPT	x1
NPP	x1
NLP	x1
BDP	x1
BDT	x1



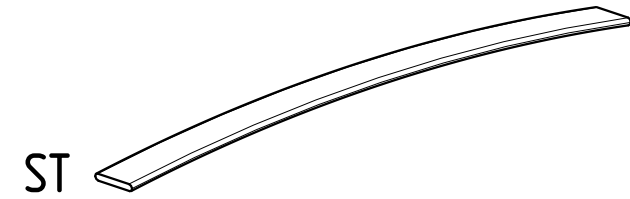
BKW



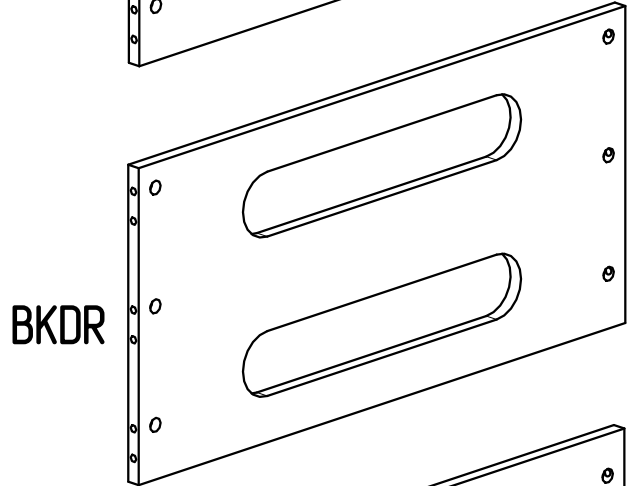
LDS



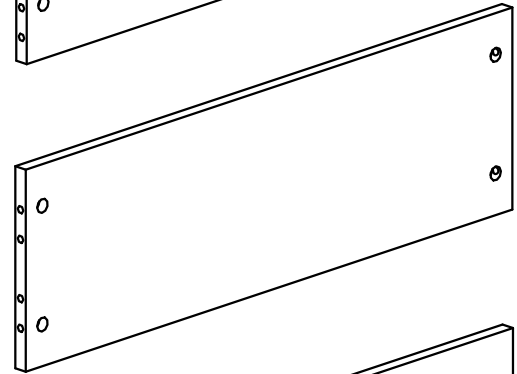
LKS



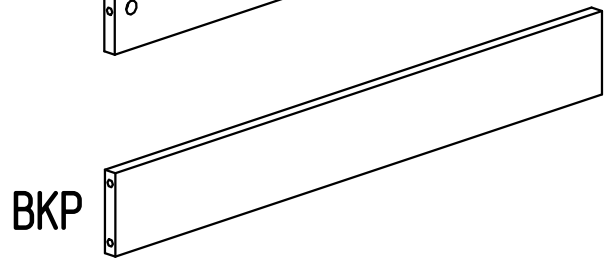
ST



BKDR



BK

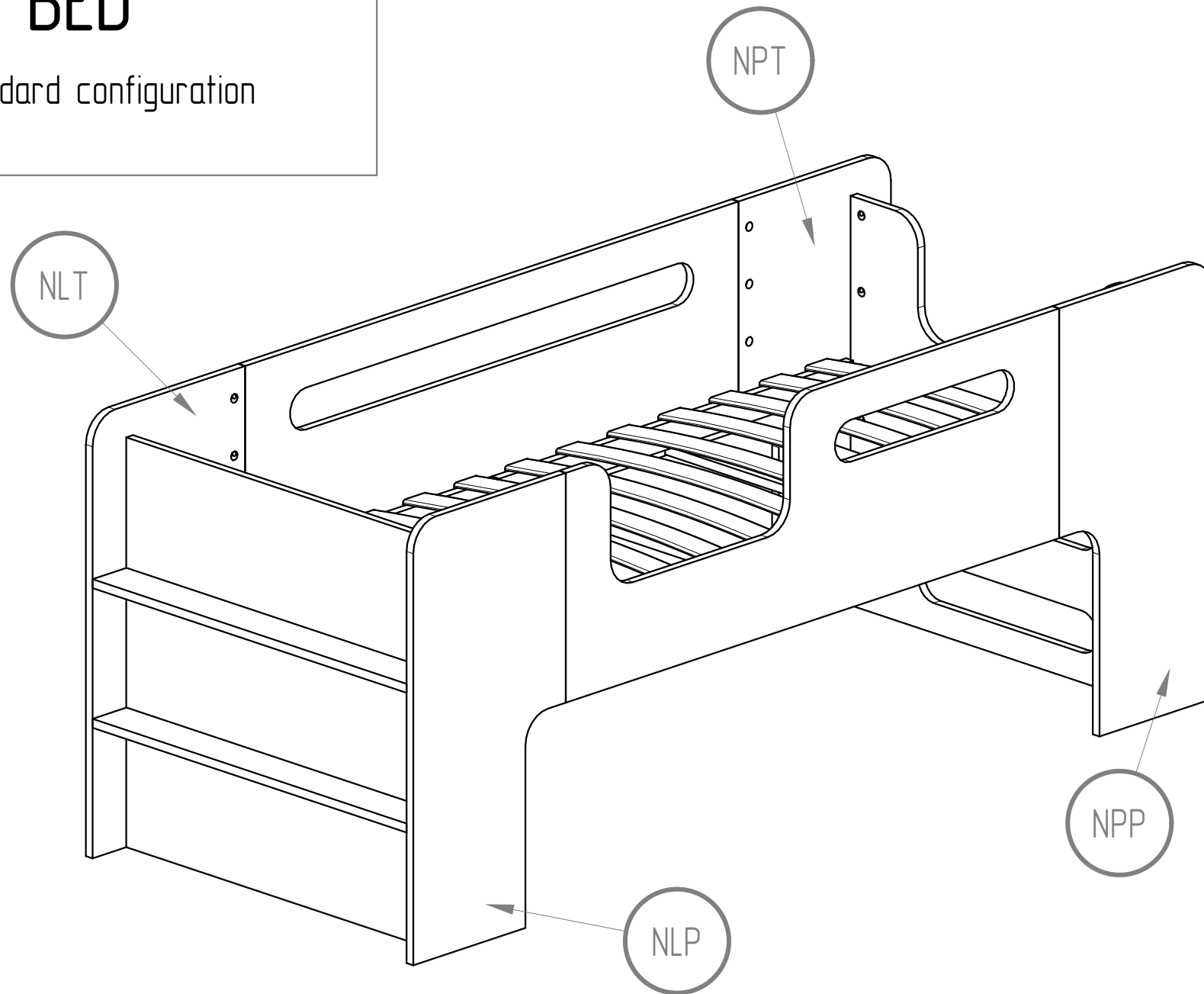


BKP

BKW	x1
BKDR	x1
BK	x3
BKP	x2
LDS	x4
LKS	x3
ST	x12-16

# BED

Standard configuration



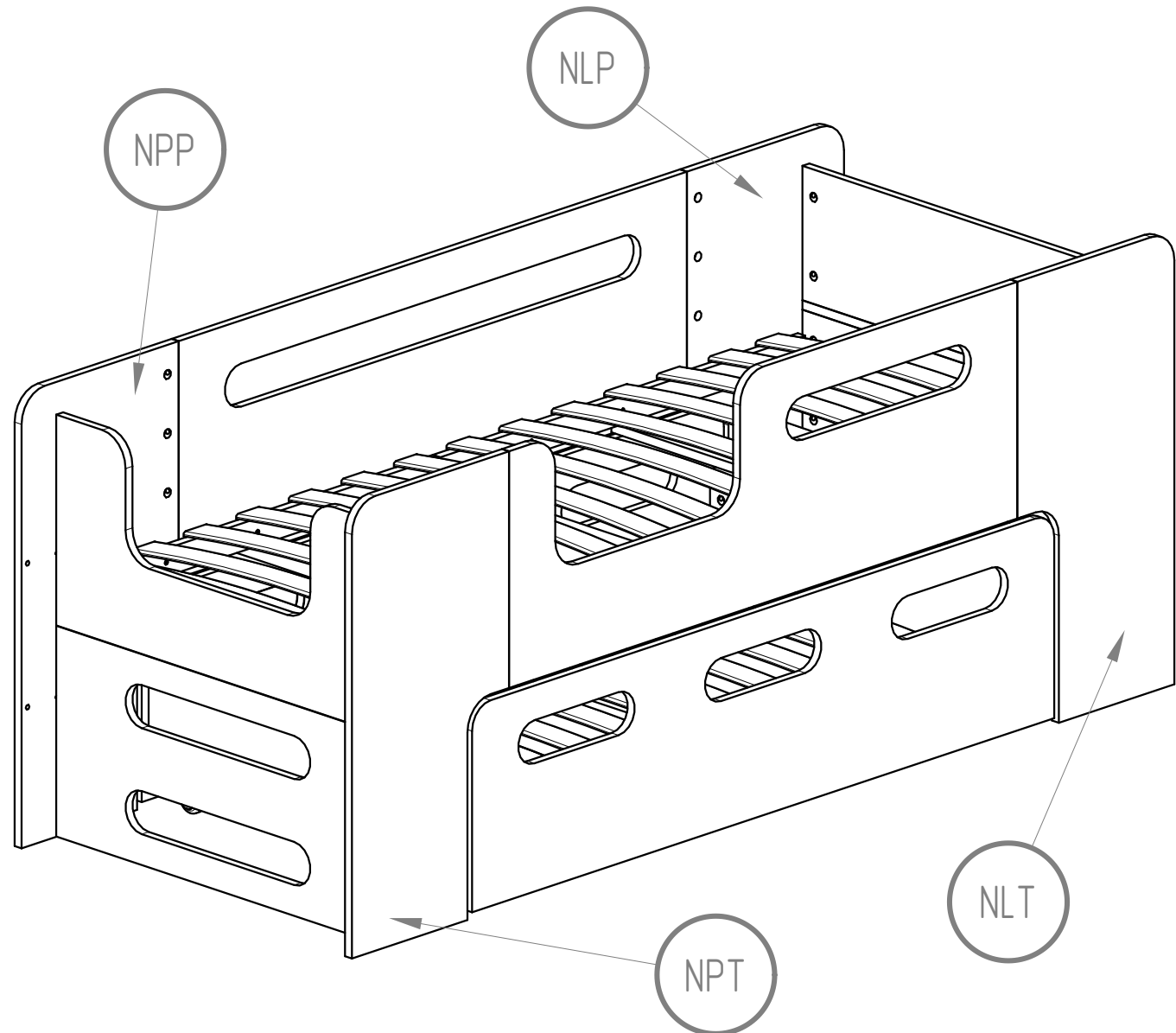
If you want to assemble the bed in the configuration as below,  
(the ladder on the left side), you should replace the elements in the instructions:

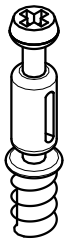
NLP → (NPT)

NPT → (NLP)

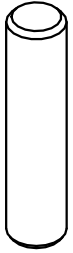
NLT → (NPP)

NPP → (NLT)

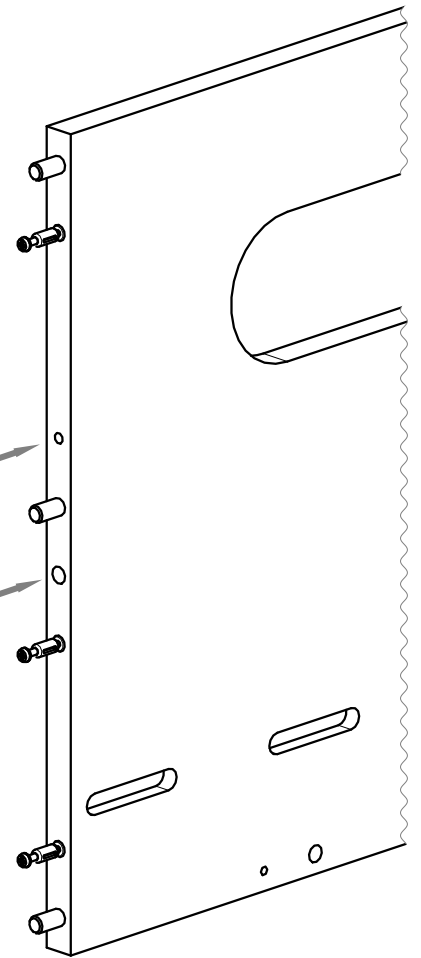
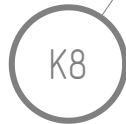
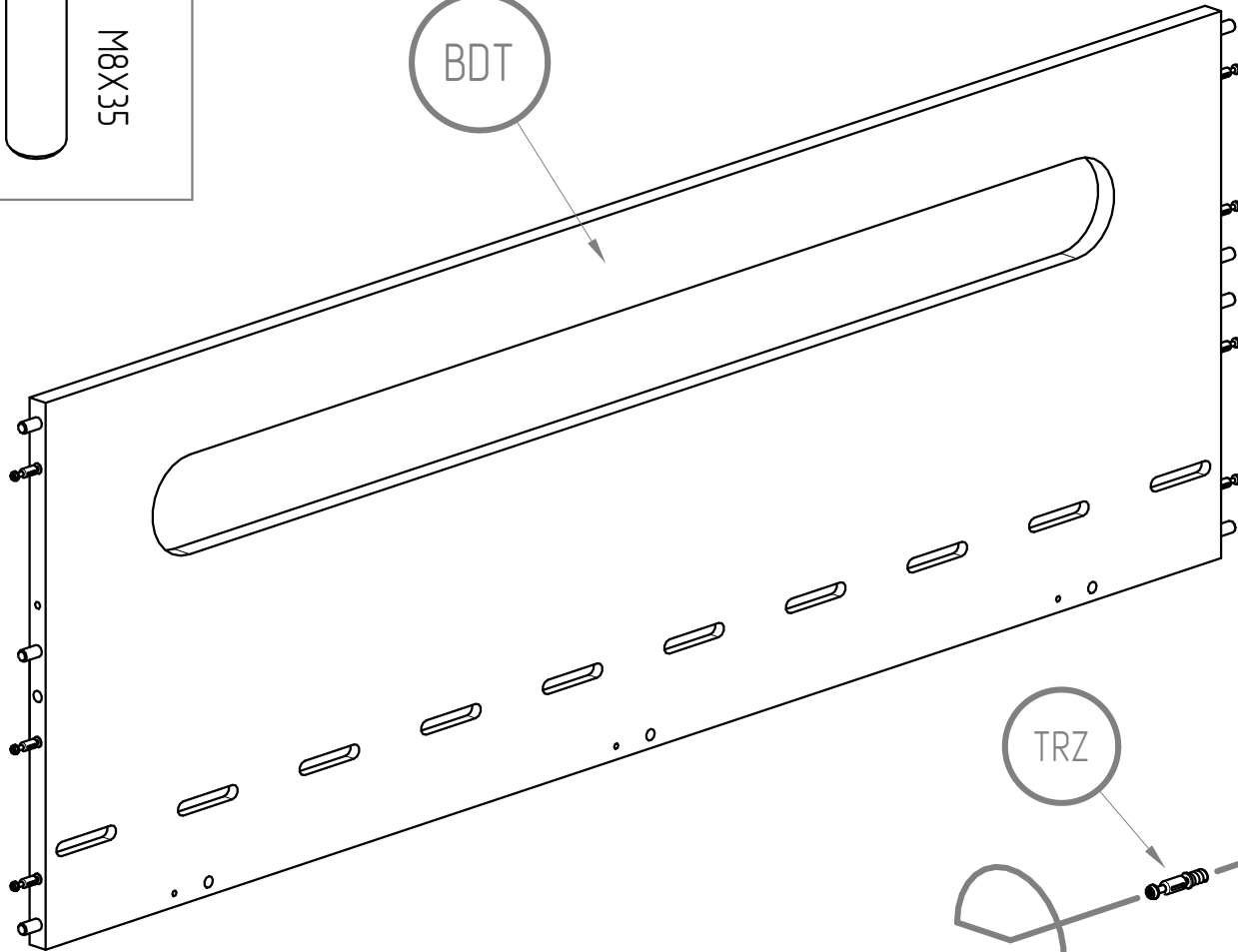




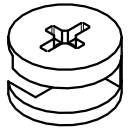
TRZ M5X35



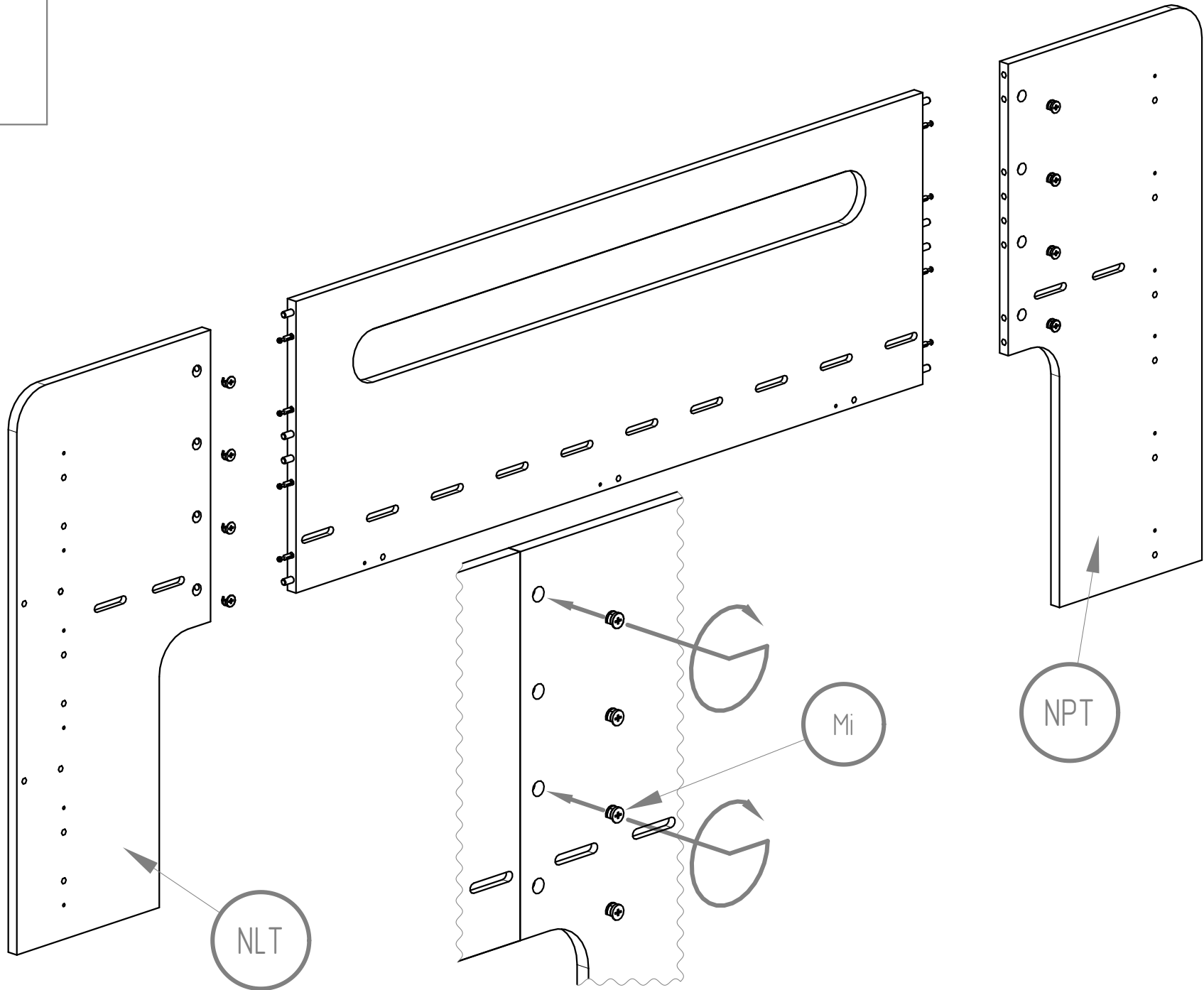
K8 M8X35

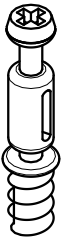




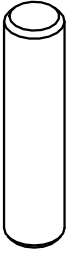


Mi

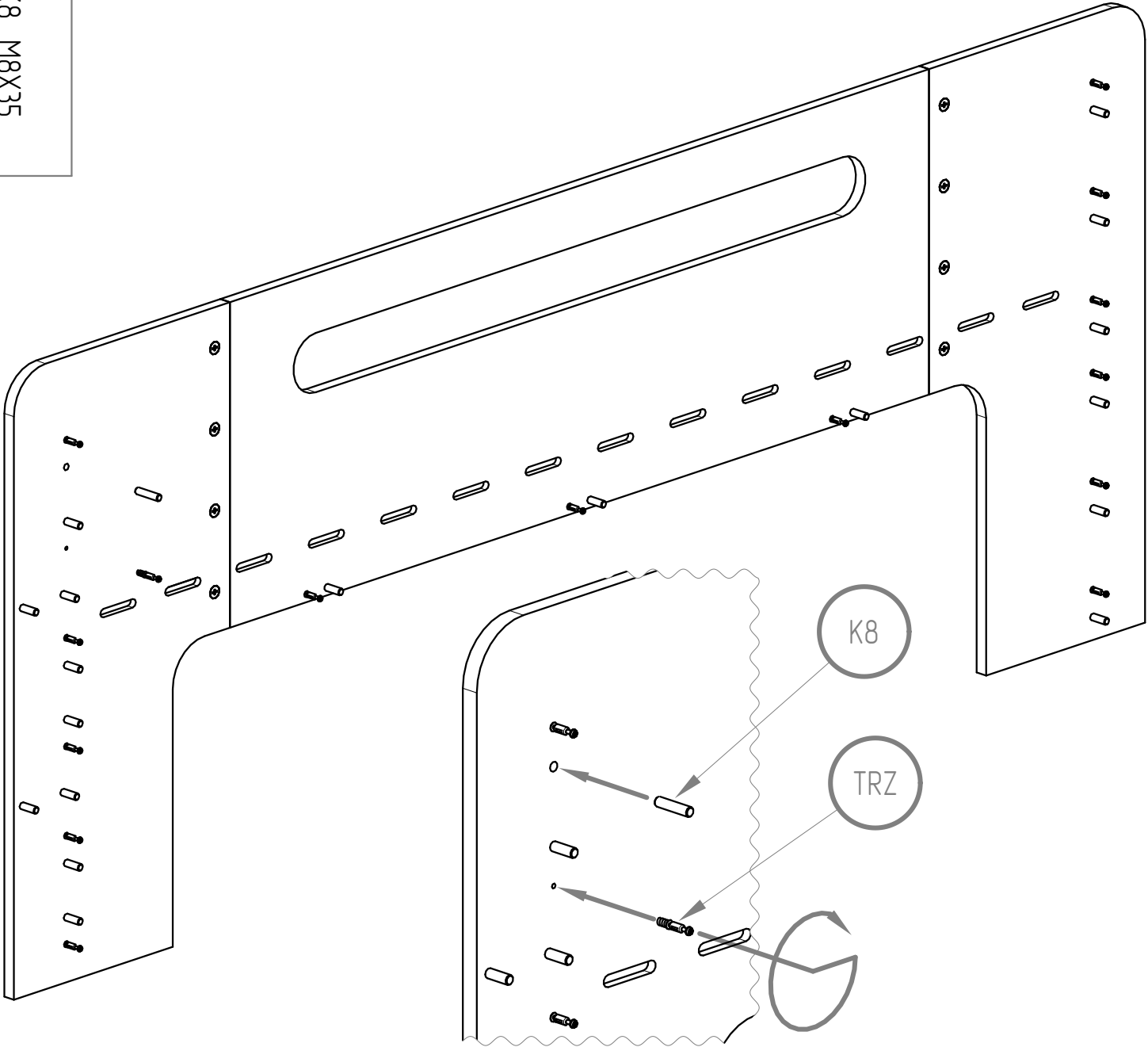


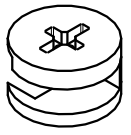


TRZ M5X35

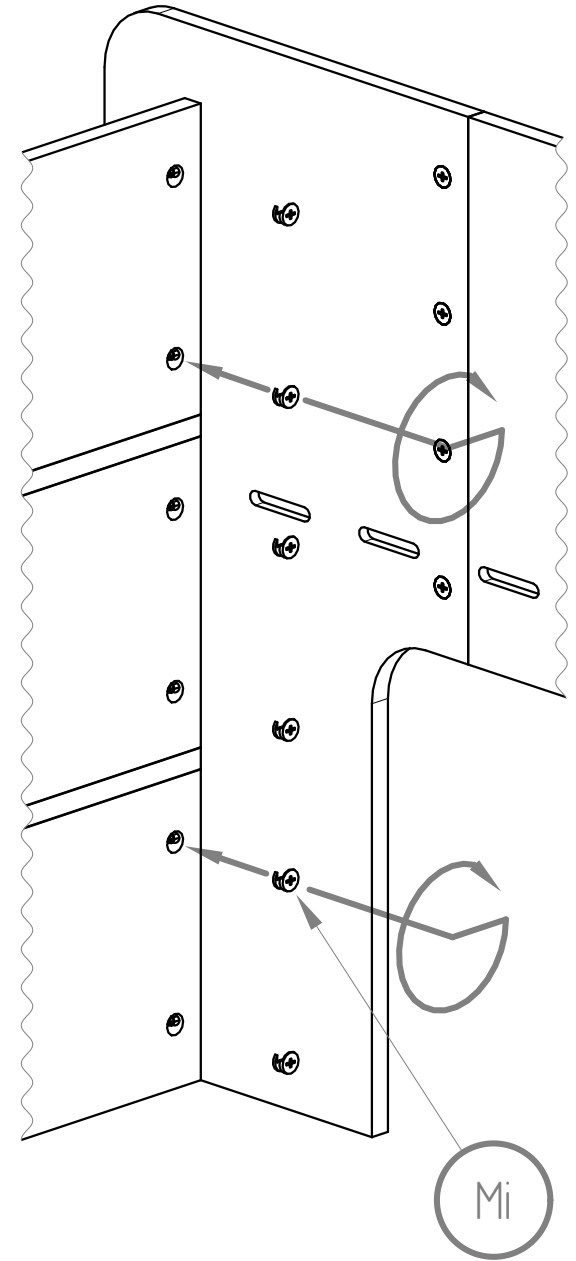
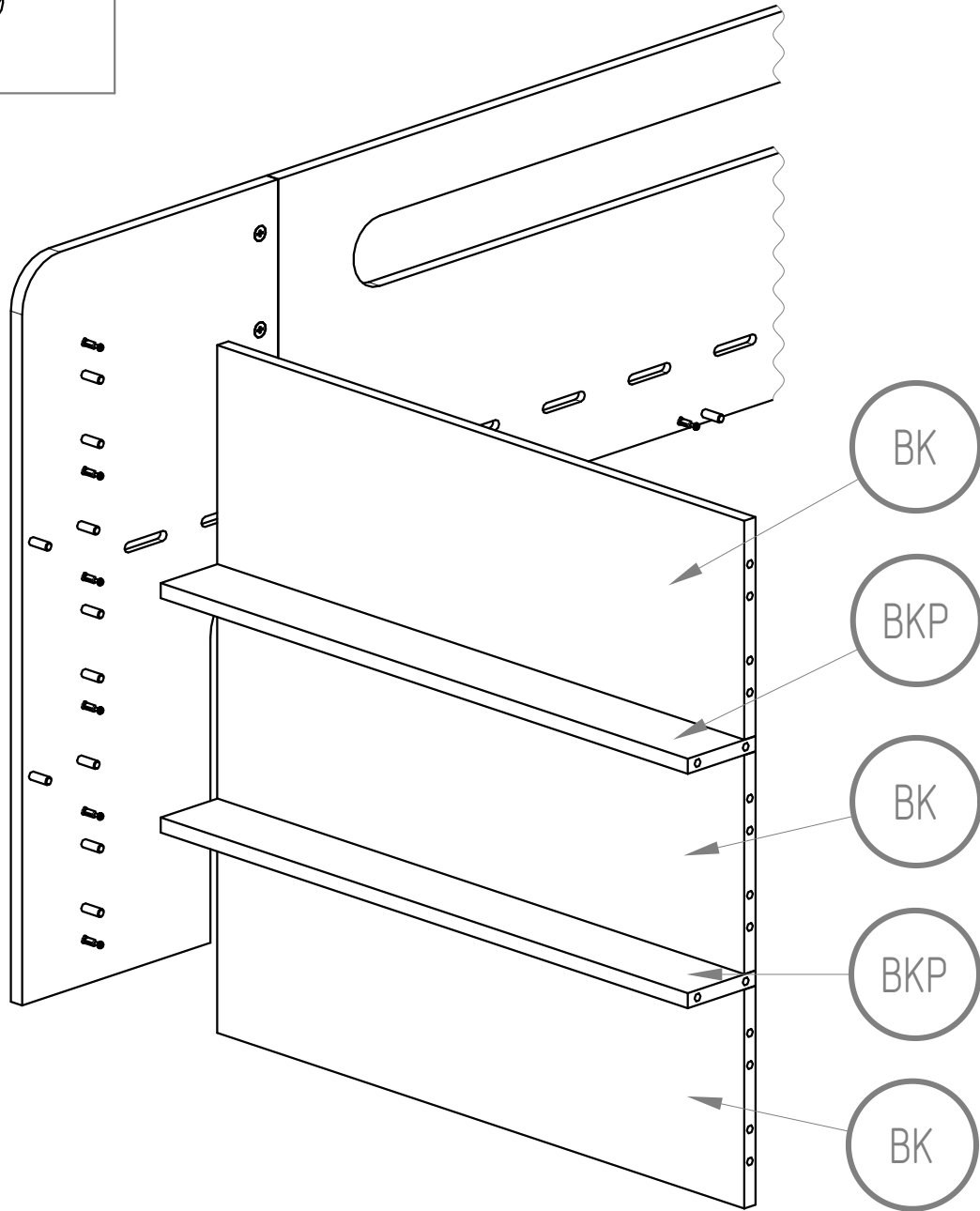


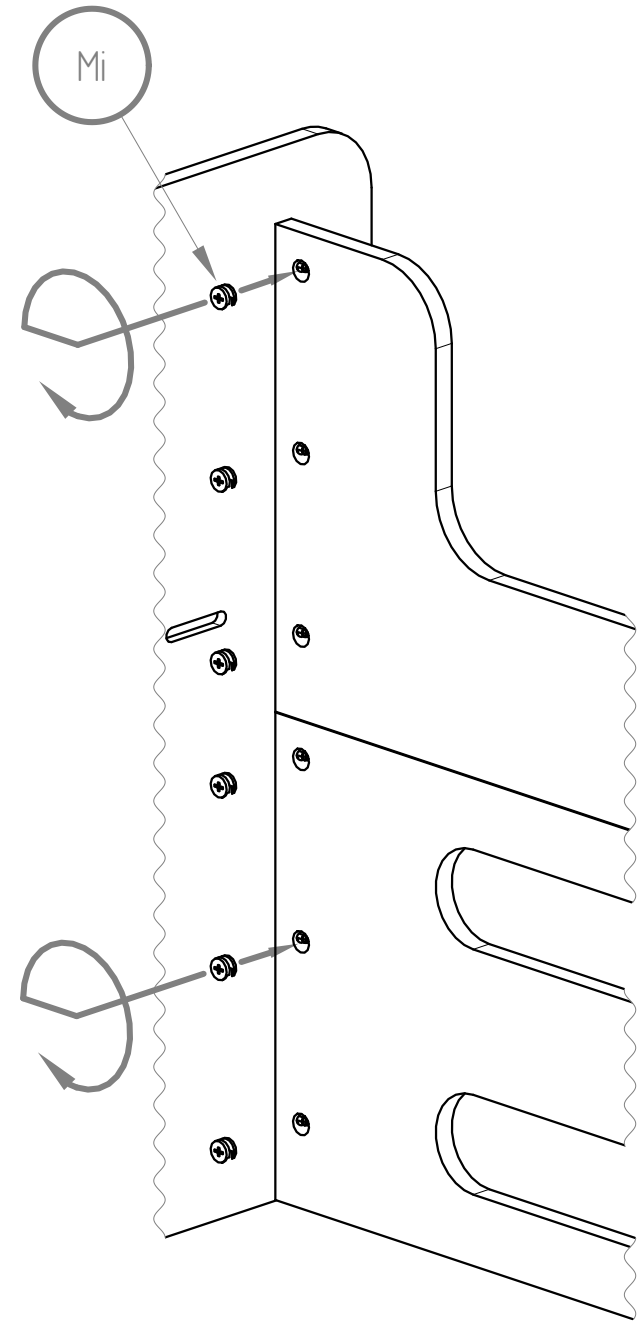
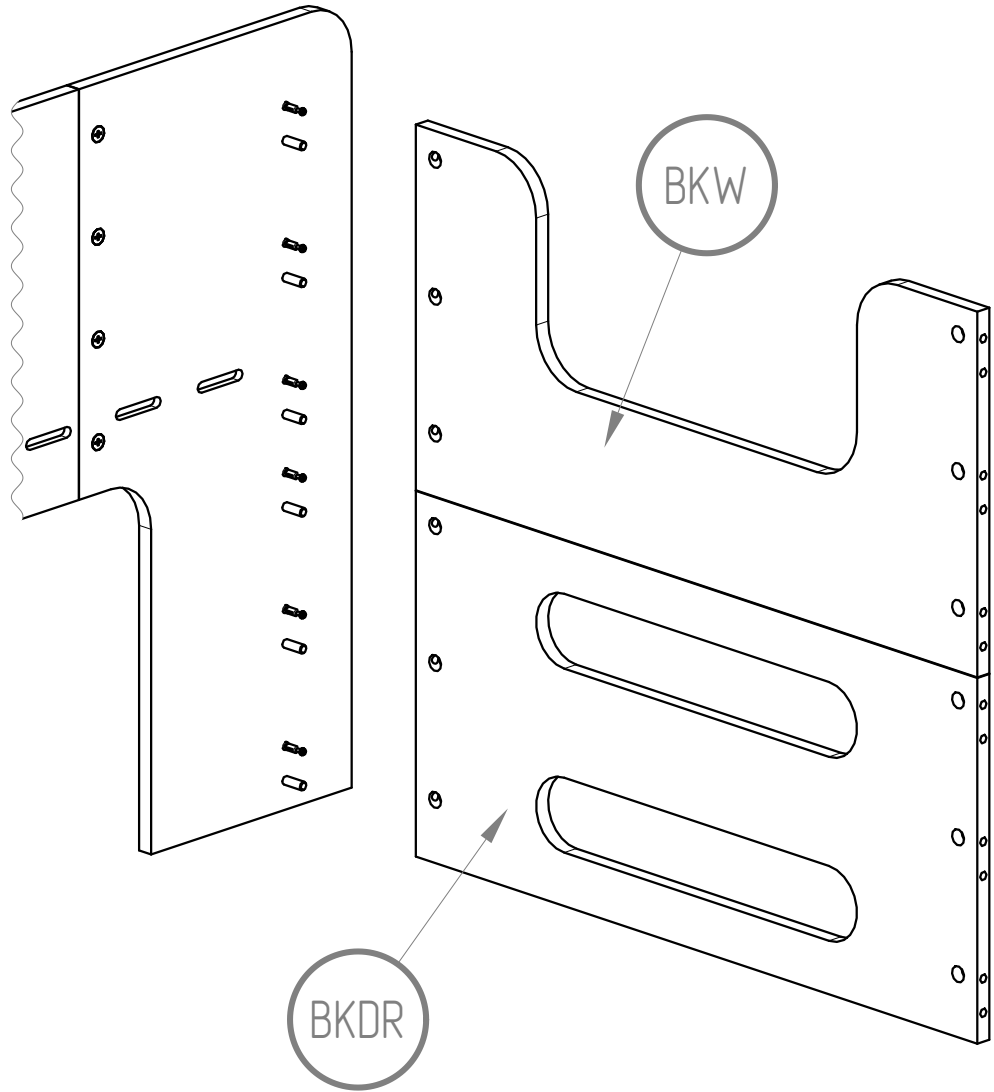
K8 M8X35

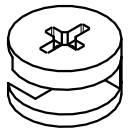




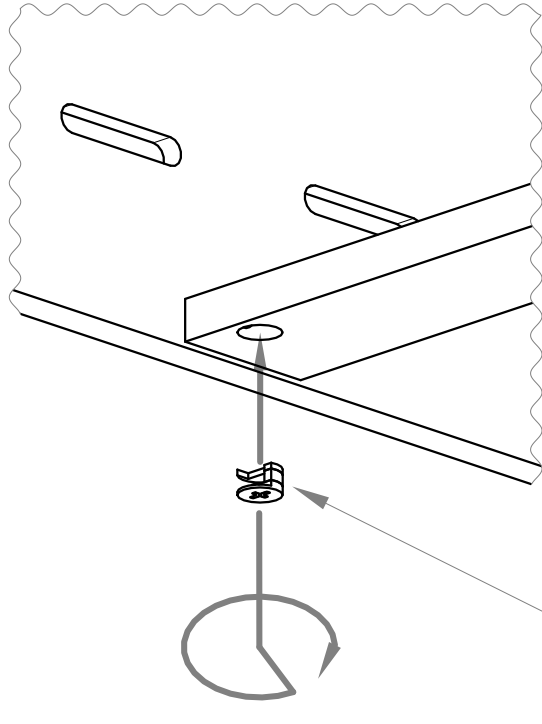
Mi



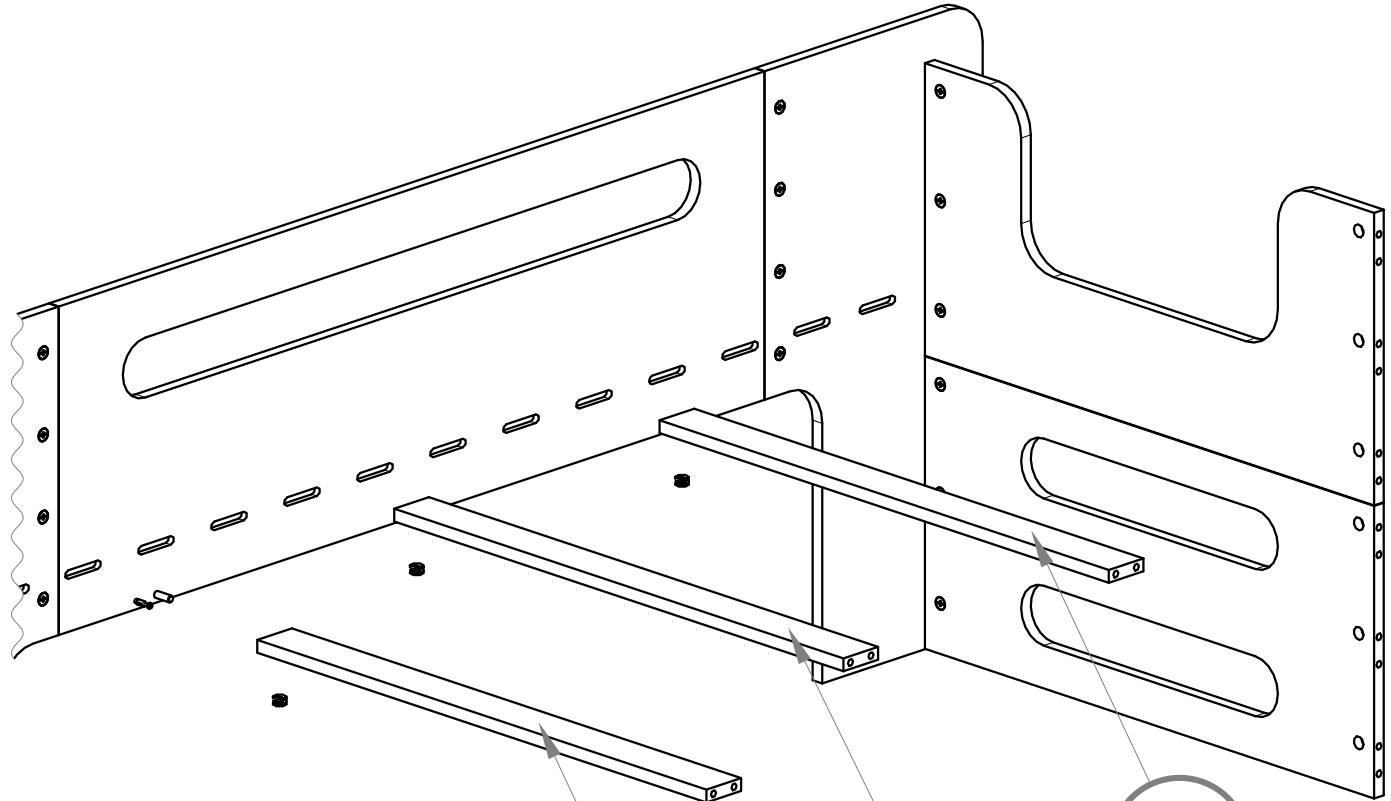




Mi



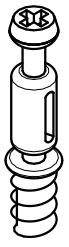
Mi



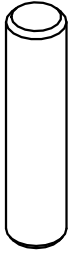
LKS

LKS

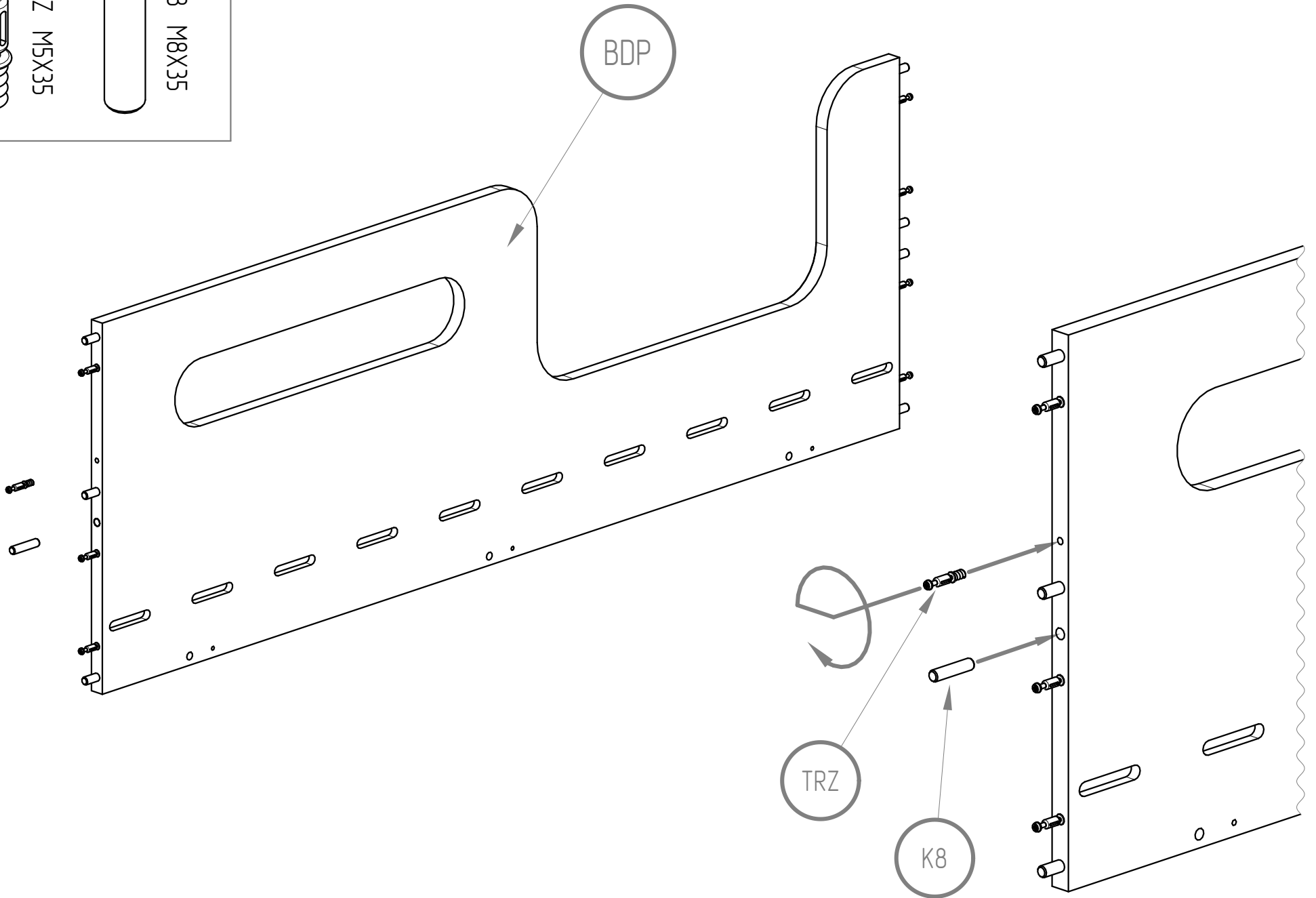
LKS

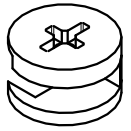


TRZ M5X35

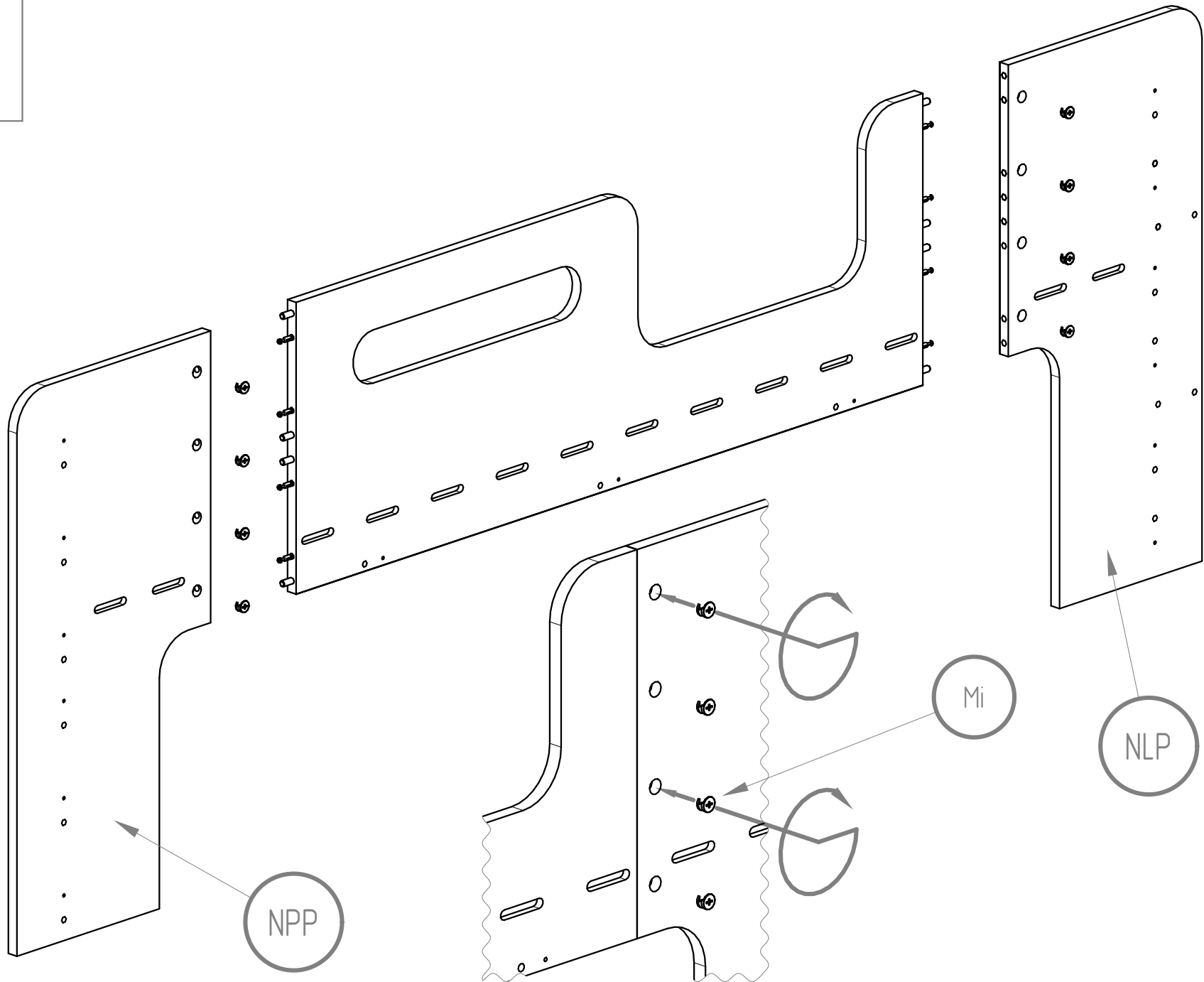


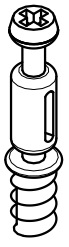
K8 M8X35



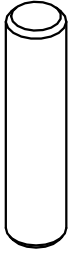


Mi

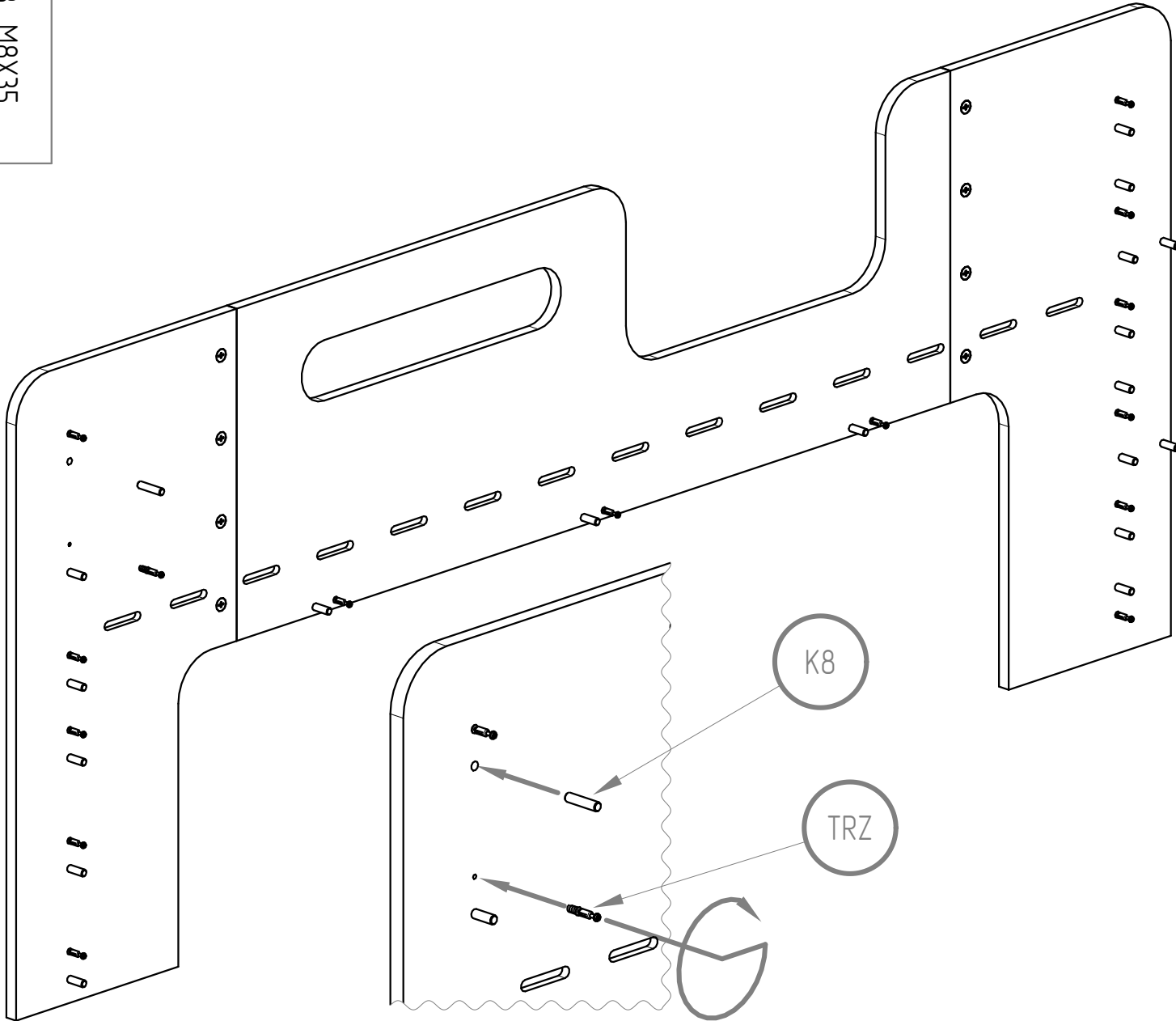




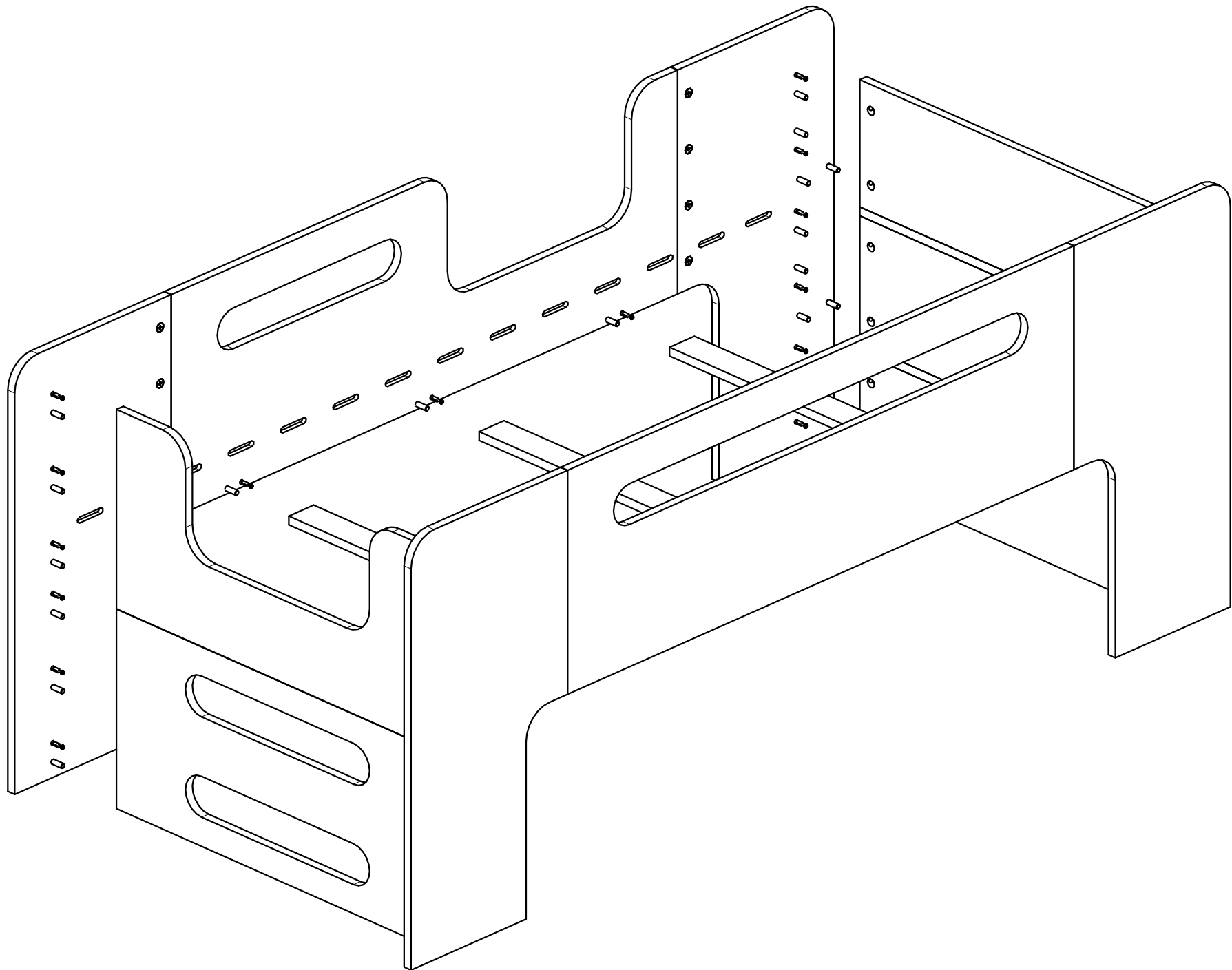
TRZ M5X35

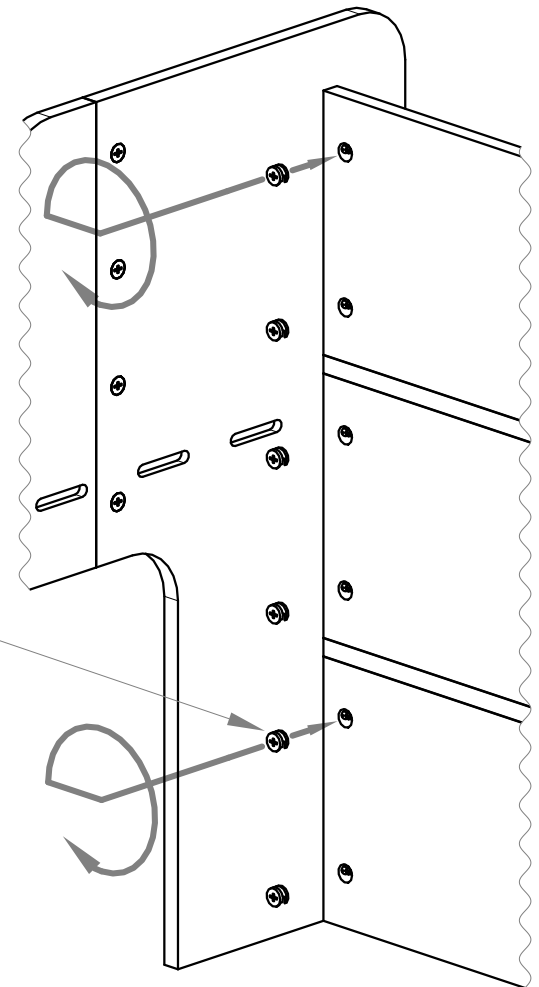
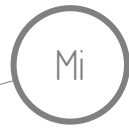
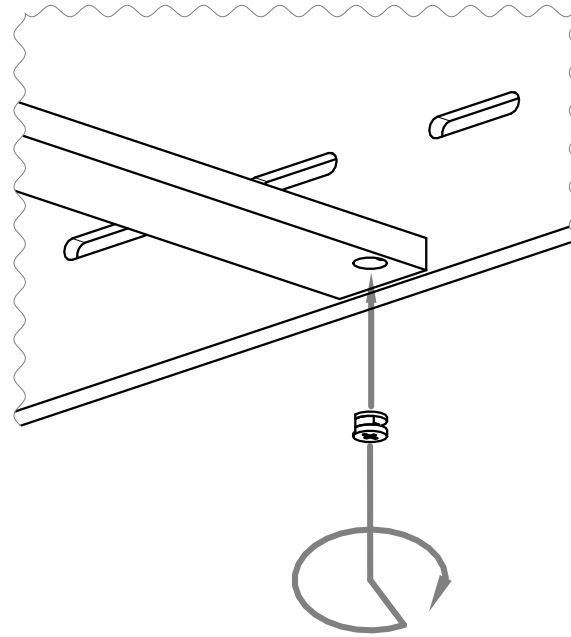
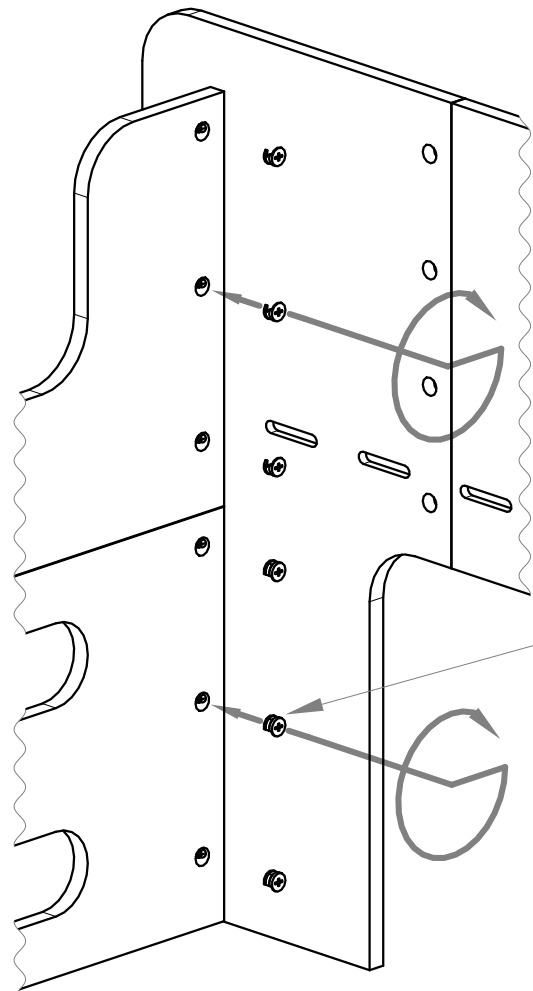


K8 M8X35

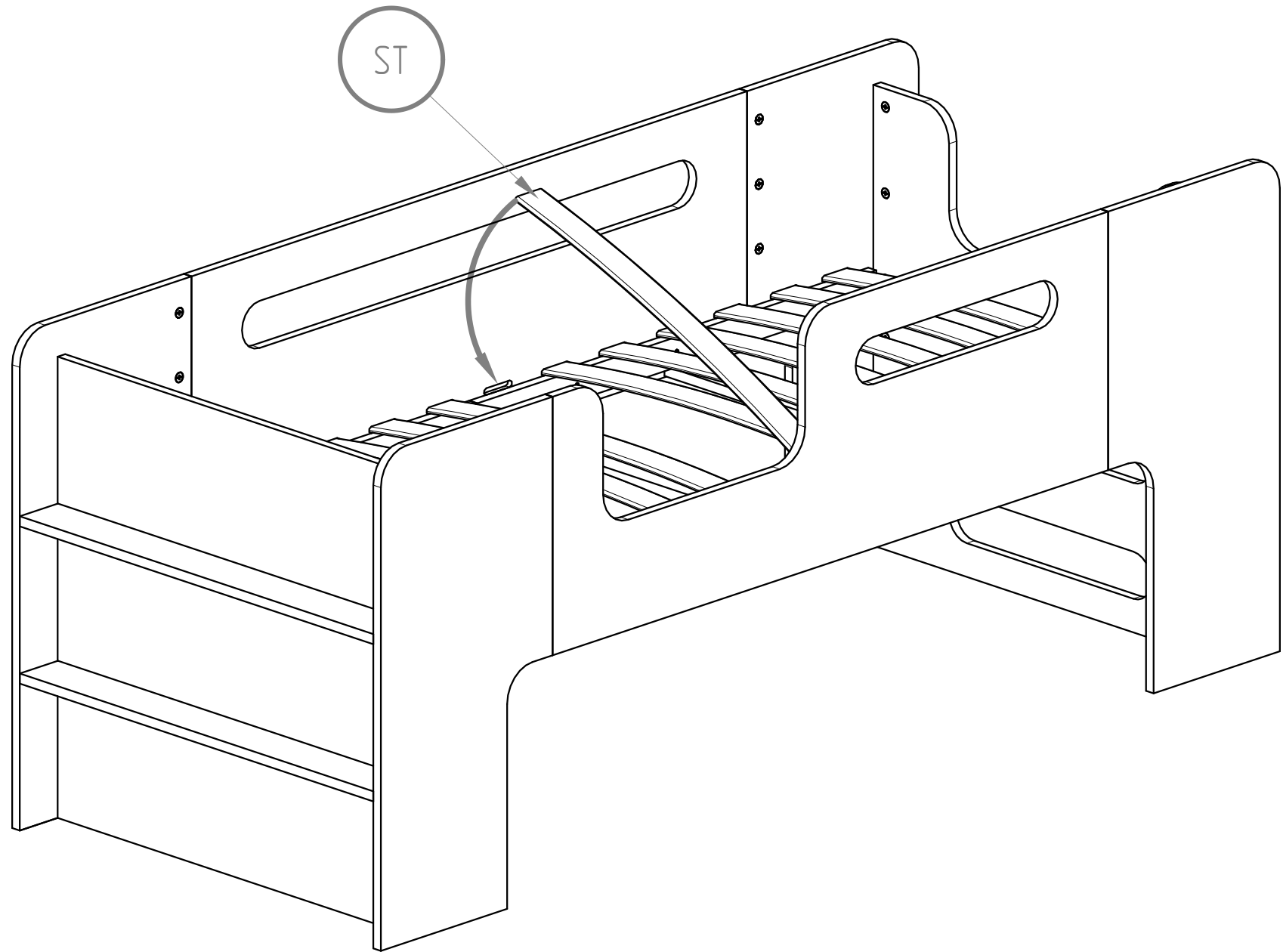






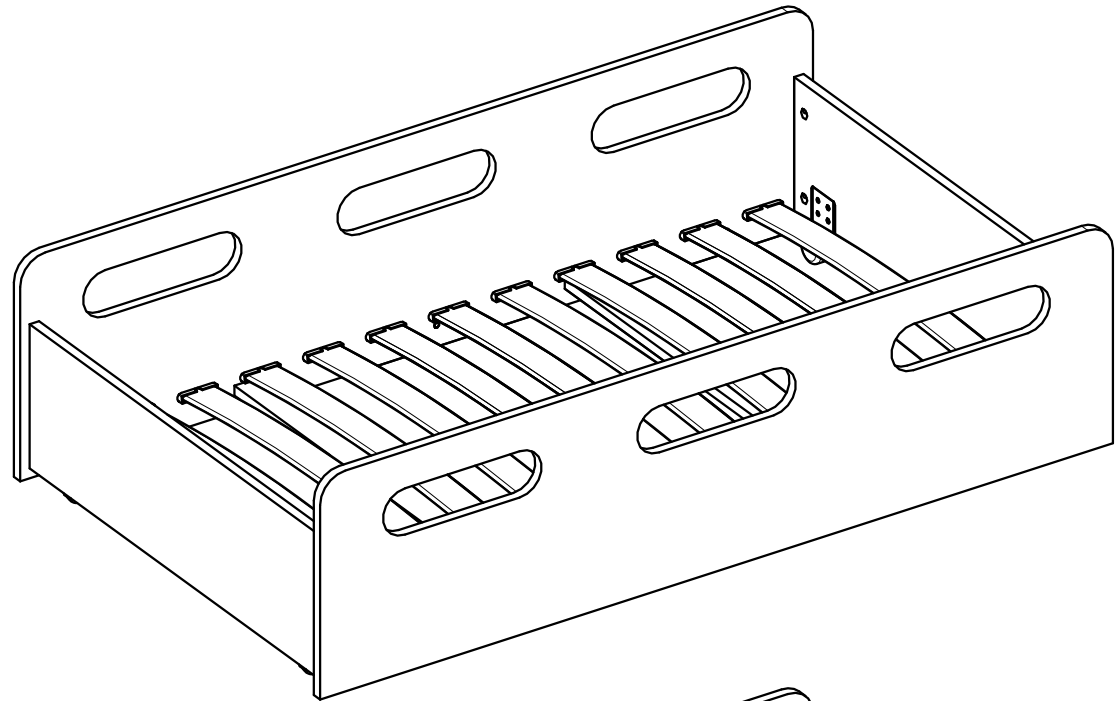




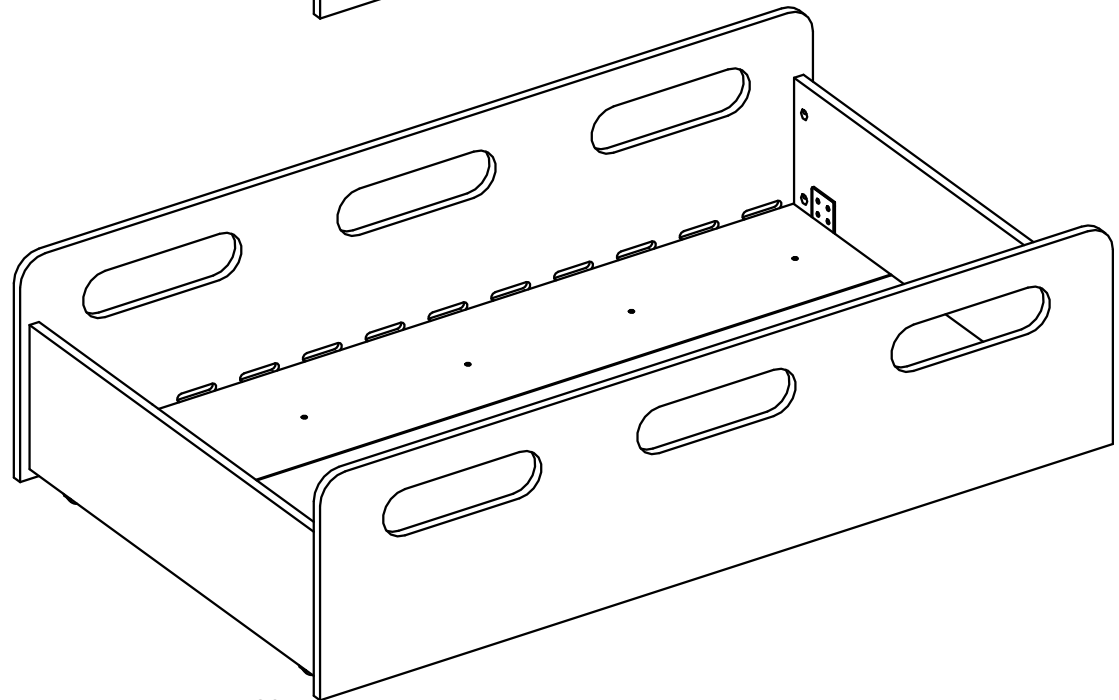


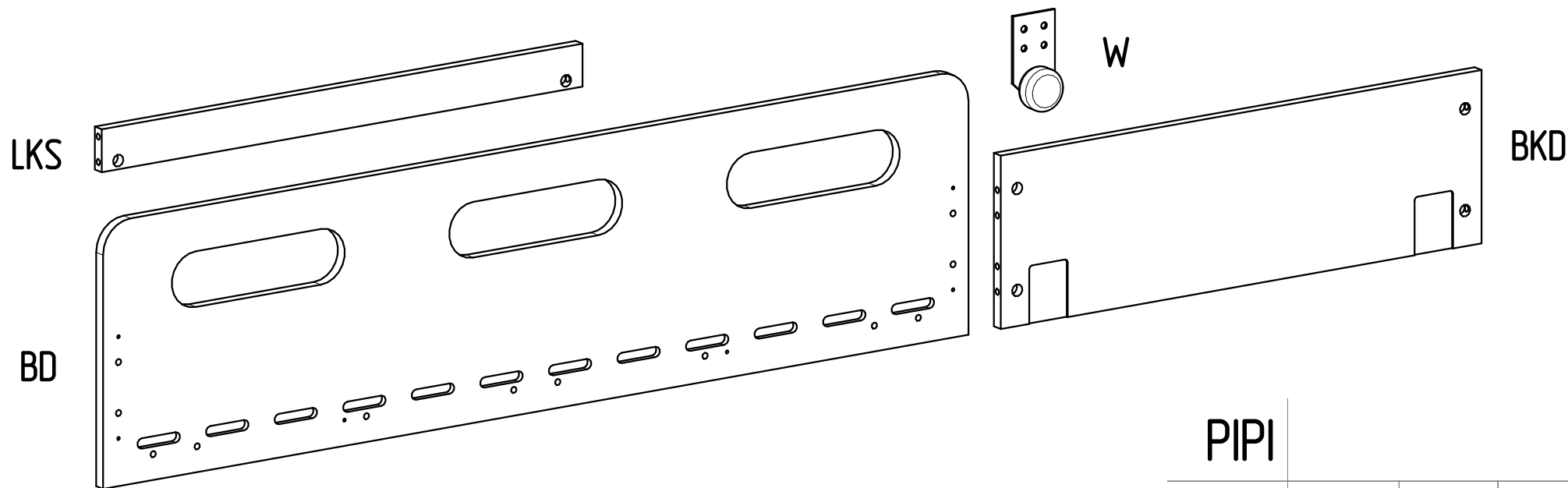
# DRAWER

FOR SLEEPING



FOR STORAGE



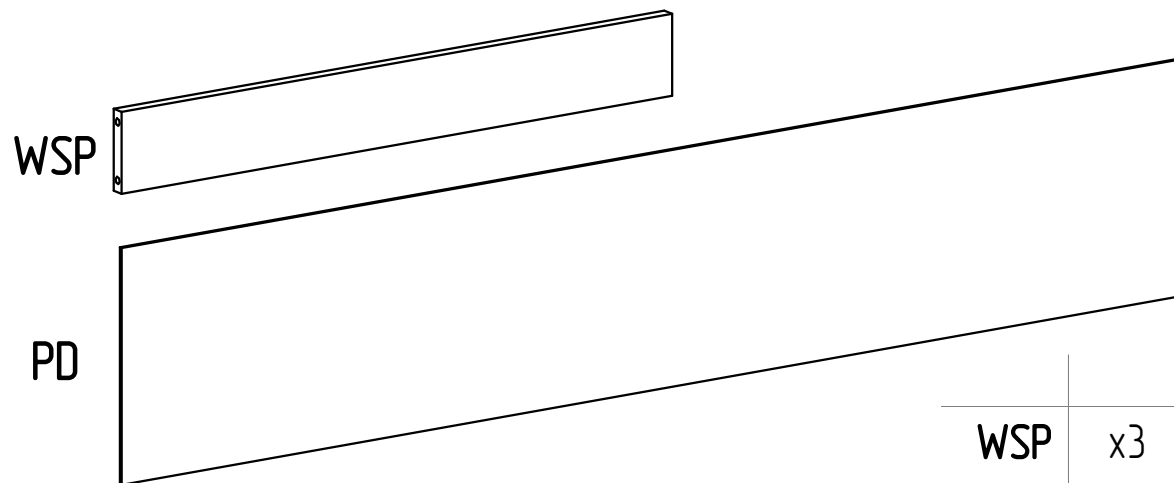


PIPI

BD	x2	LKS	x2
BKD	x2	W	x4

Depending on type of drawer, you will receive extra

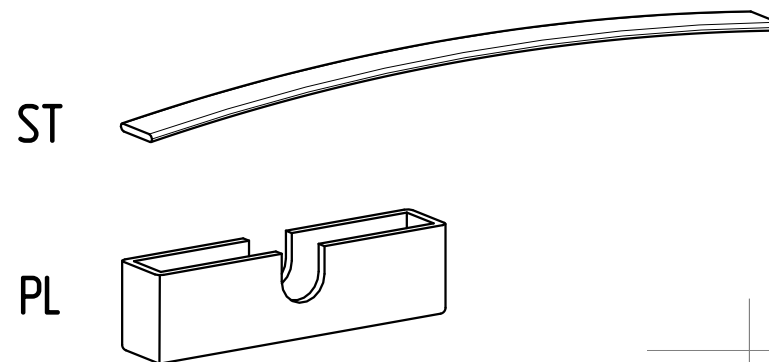
Storage drawer



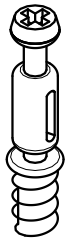
WSP	x3
PD	x3

21

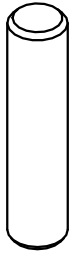
Sleeping drawer



ST	x10-14
PL	x20-28



TRZ M5X35

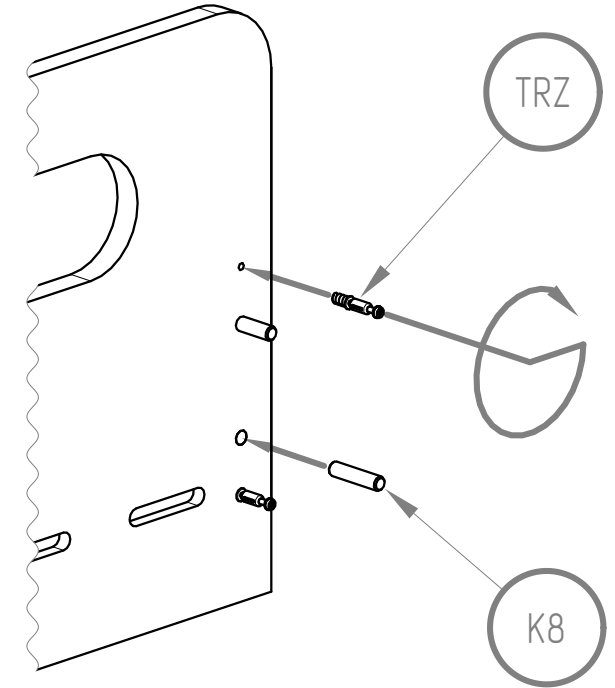
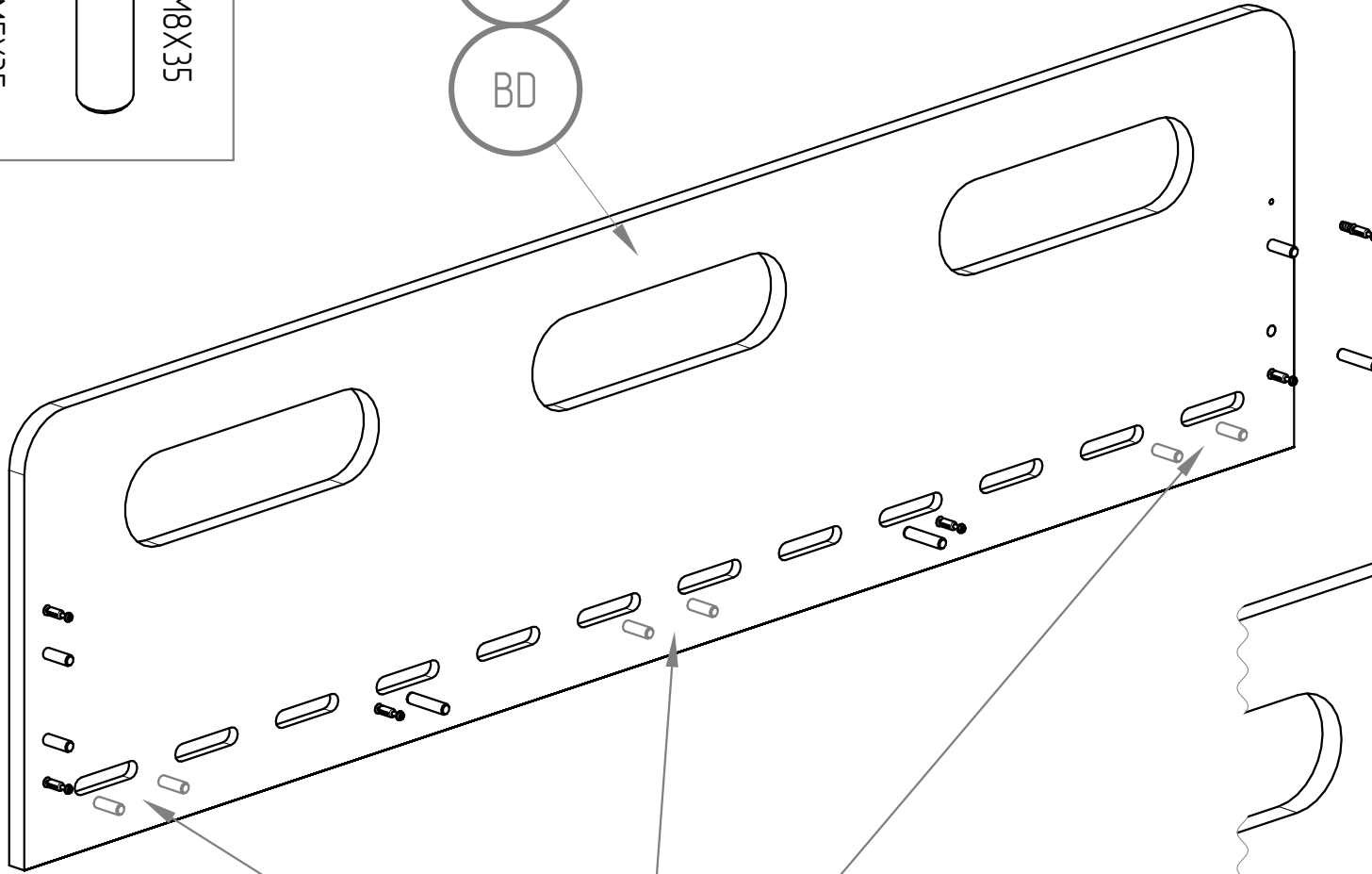


K8 M8X35



x2

BD



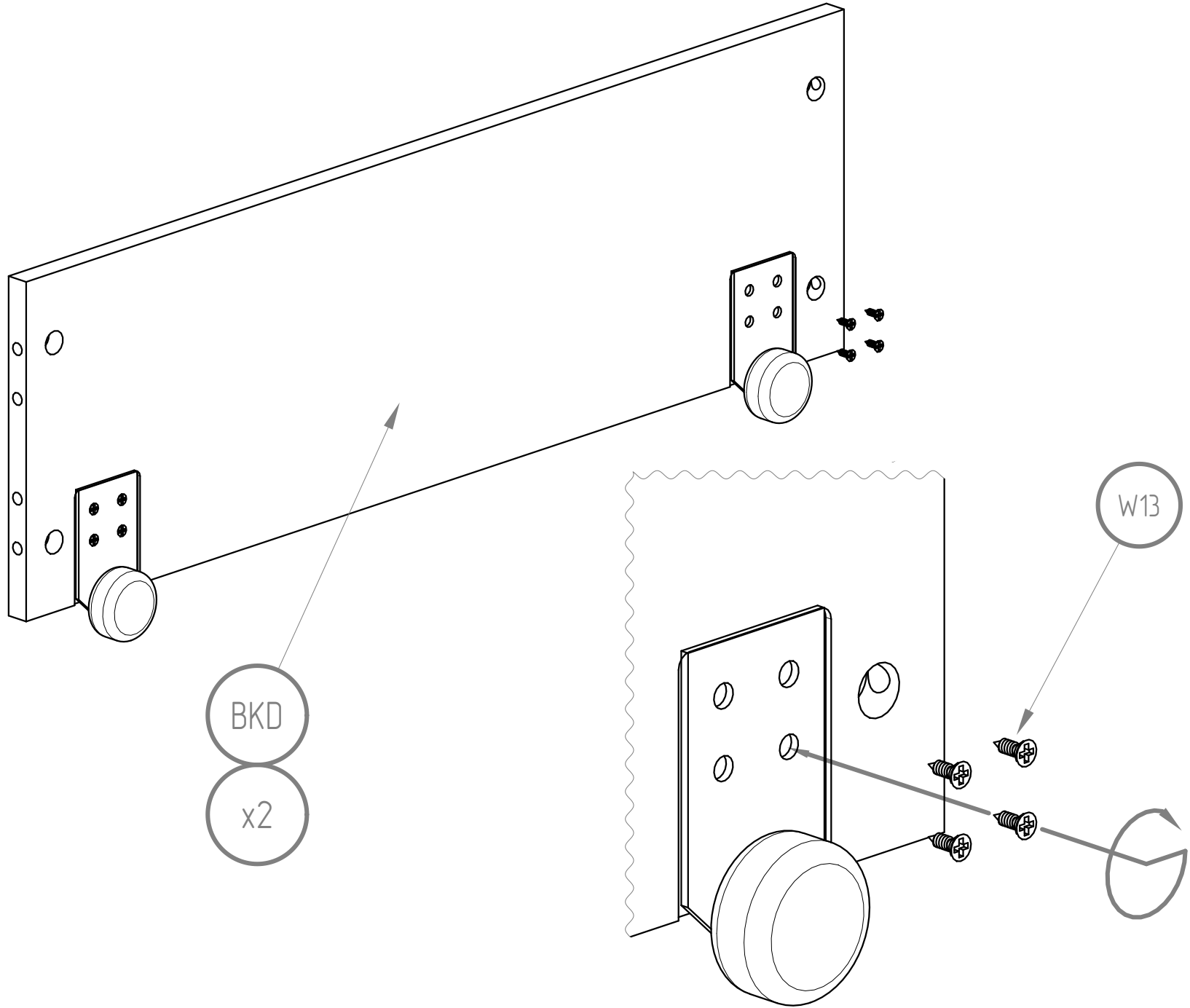
TRZ

K8

Only for storage drawer



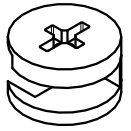
W13 M4X13



BKD  
x2

W13

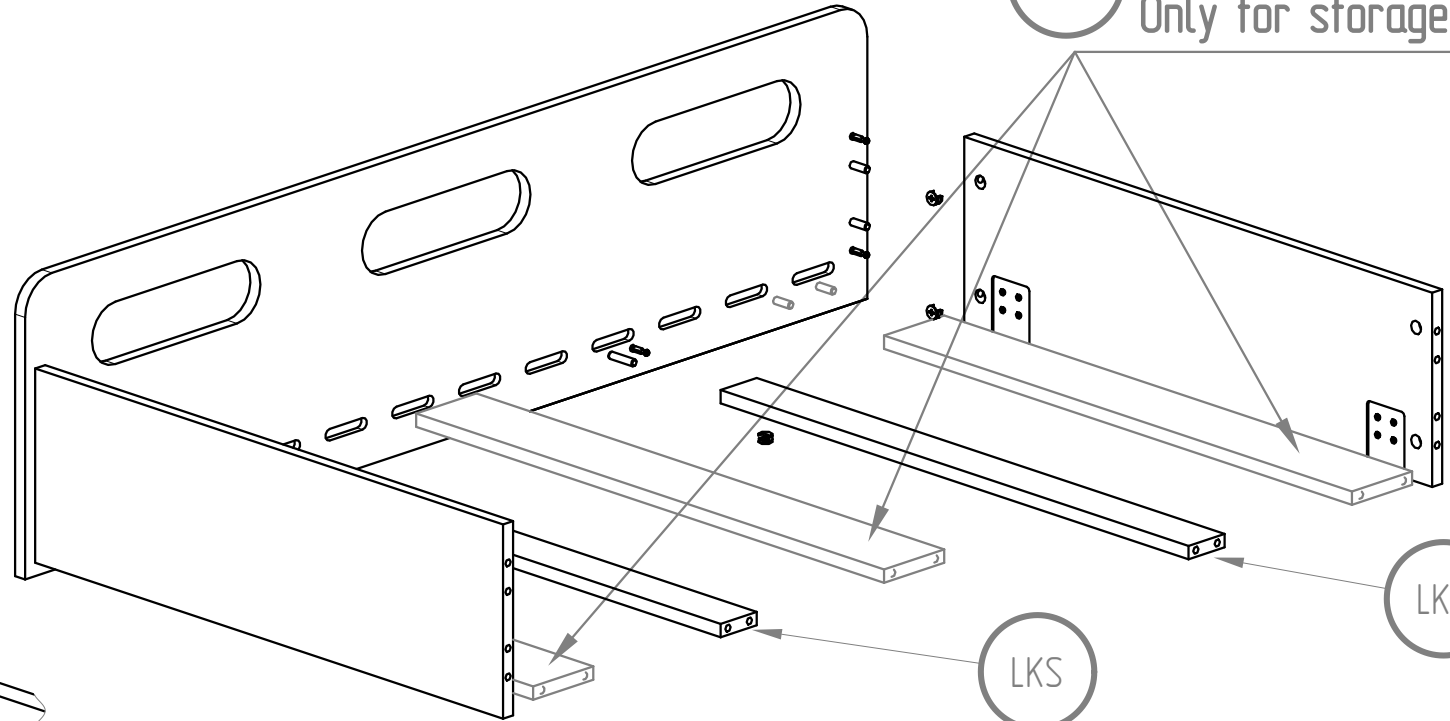




Mi

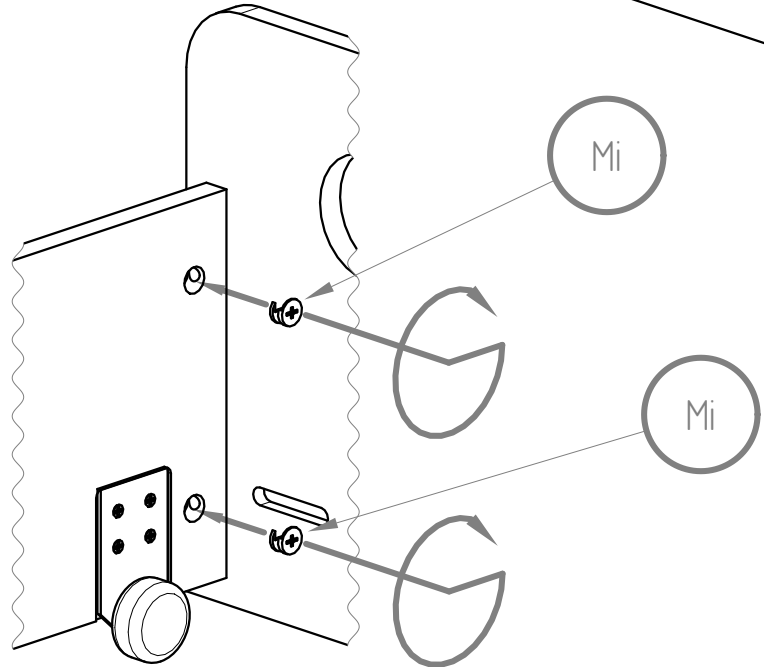
WSP

Only for storage drawer



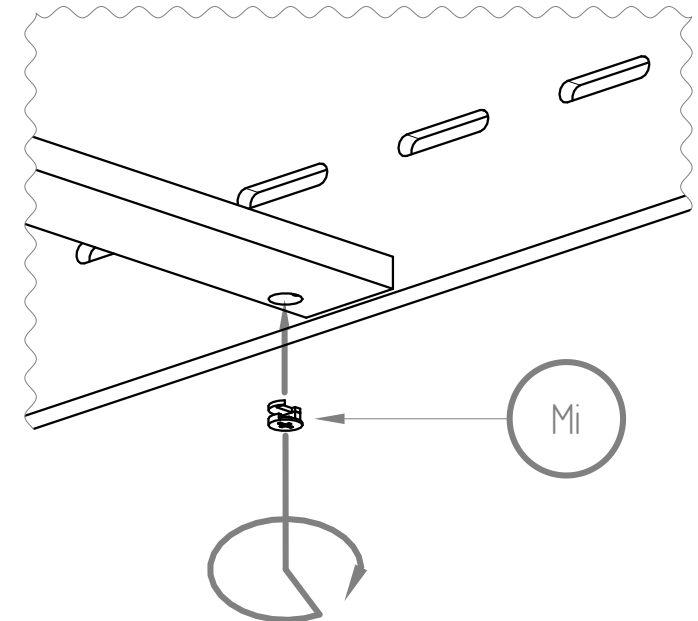
LKS

LKS



Mi

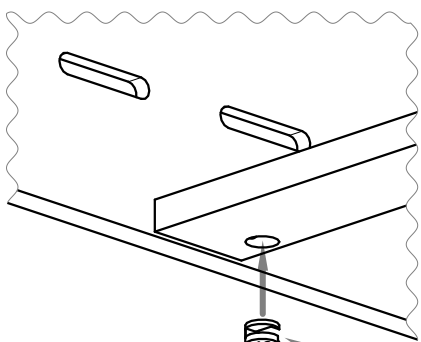
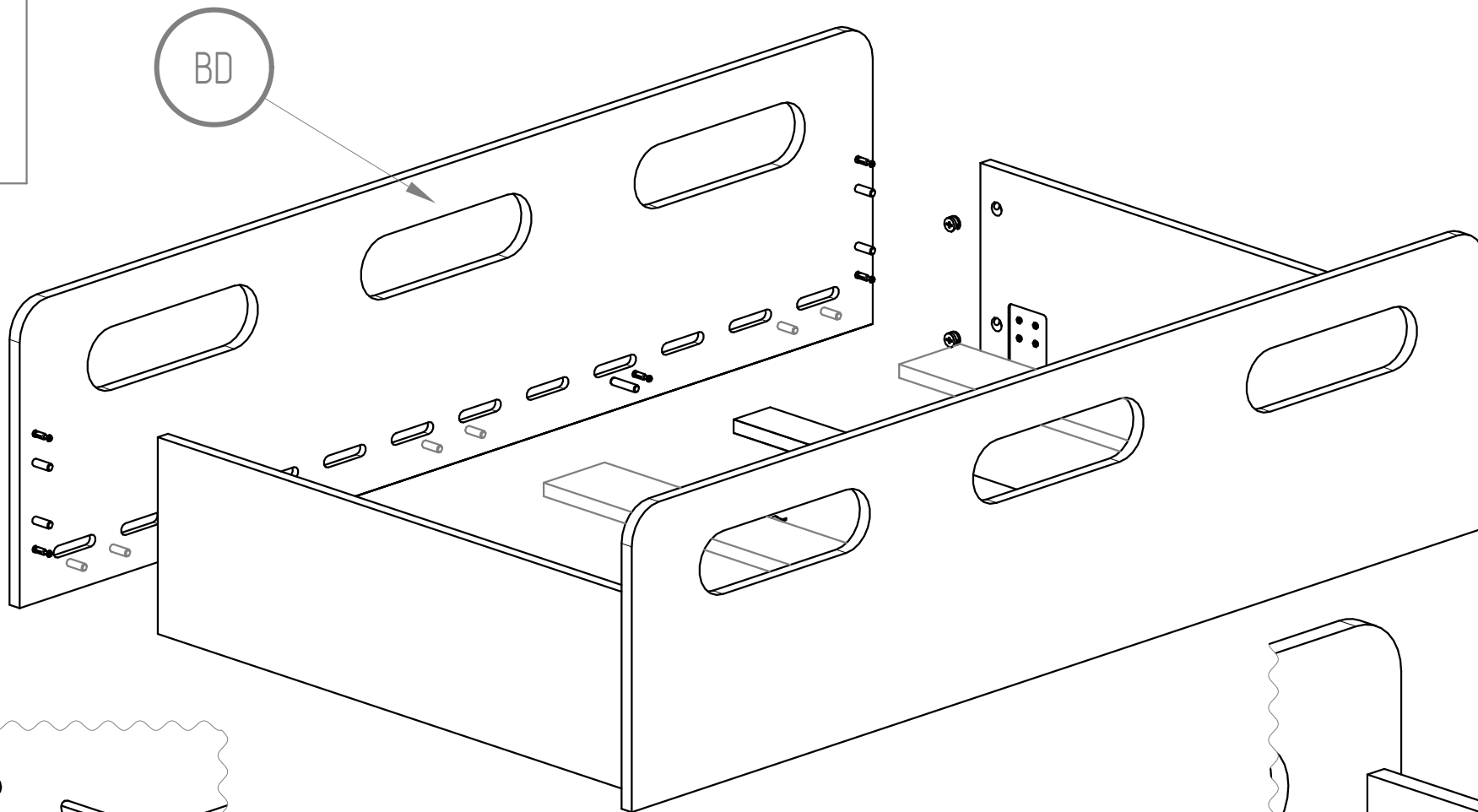
Mi



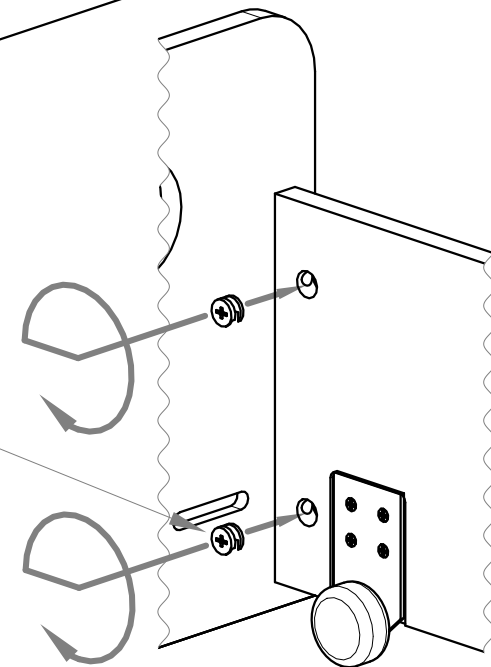
Mi



BD



Mi

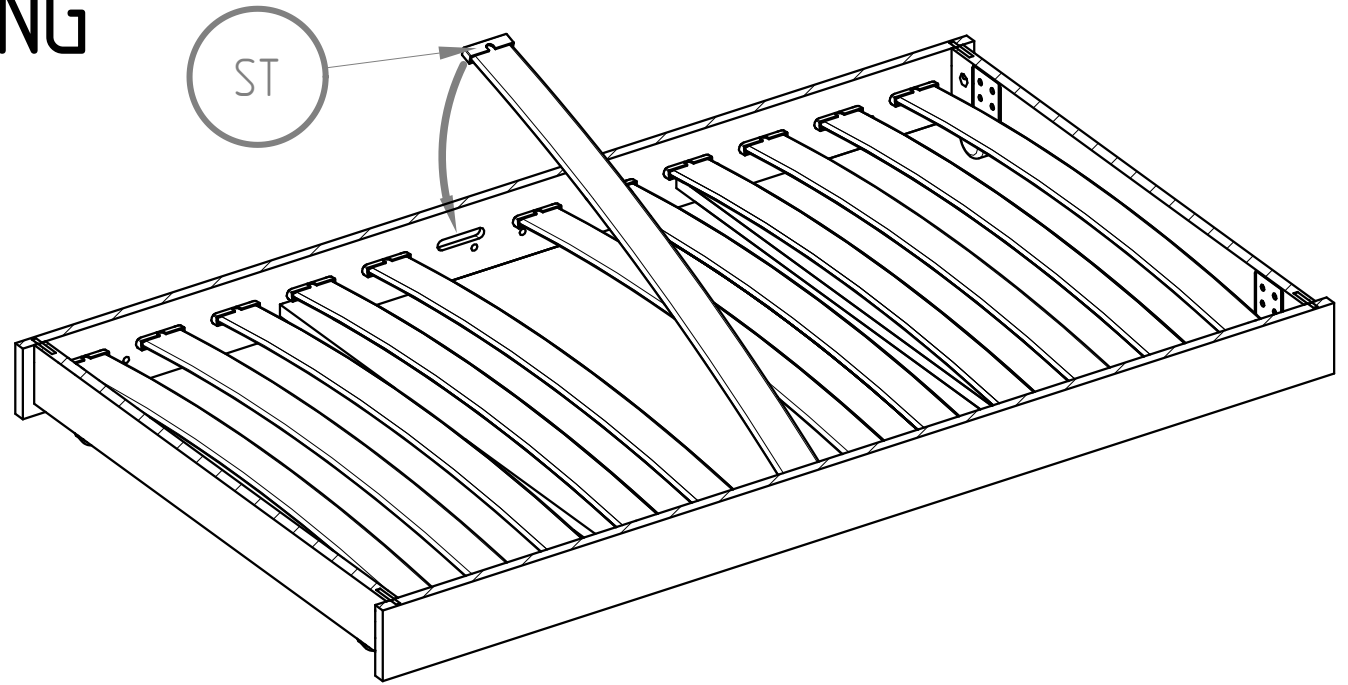
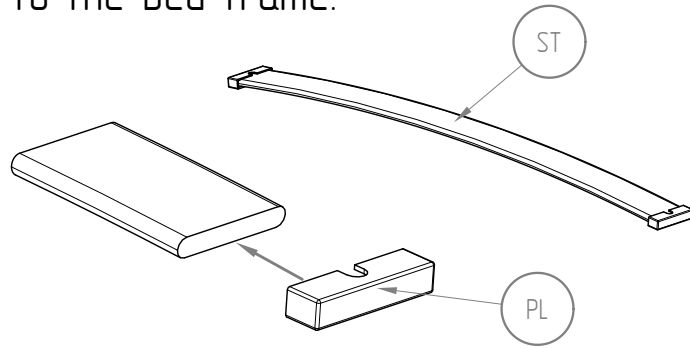


Mi

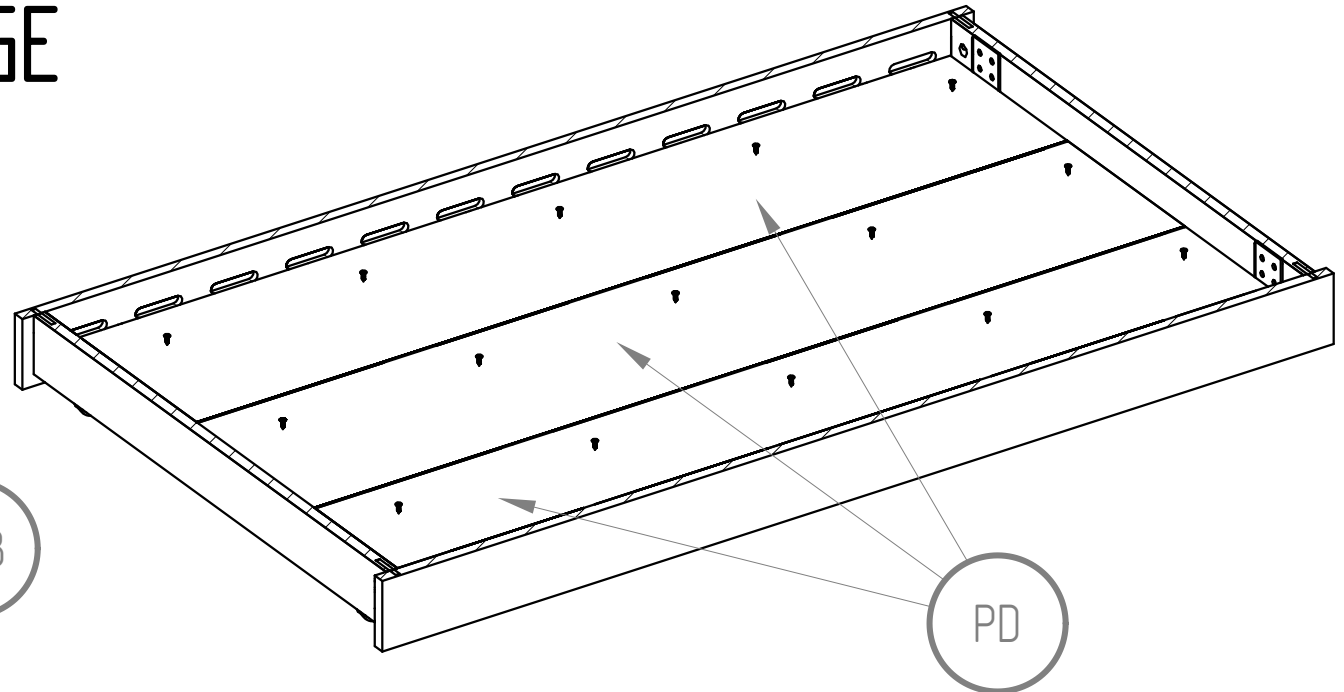
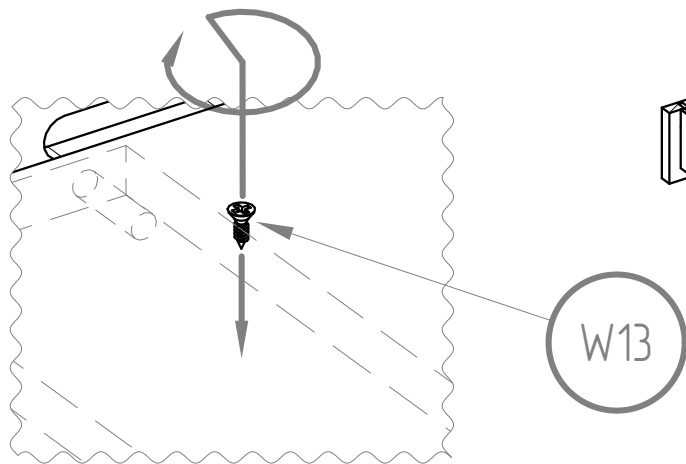
# DRAWER FOR SLEEPING

## Important!

Install the plastic caps before assembling the ST spring slats to the bed frame.



# DRAWER FOR STORAGE



## Woohoo!

High-fives all around for a job well done.

We hope your little one is over the moon with their new Petit Puk bed. And why not show off all your hard work? Snap a pic and share it with us on Instagram (tag us @petitpuk) or shoot us an email at [info@petitpuk.com](mailto:info@petitpuk.com). We love seeing our creations come to life in your wonderful homes!

Now, before your kid dives in headfirst, here are a few friendly reminders:

- Stick to mattresses between 8-14 cm thick for the perfect fit.
- Beds are for snoozing, not bouncing
- Keep it safe with just one child on the bunk bed.
- Please, no acrobatics - avoid hanging off any parts of the bed.
- Keep things tidy with a gentle wipe-down of wooden and plastic parts using a dry cloth and mild cleaner.

### **Warranty**

We've got your back with a 2-year warranty on bed parts under normal use. If you ever need a hand or have any questions, don't hesitate to reach out to Team Petit Puk. Just send us a message with your name and order number, along with images of the situation.