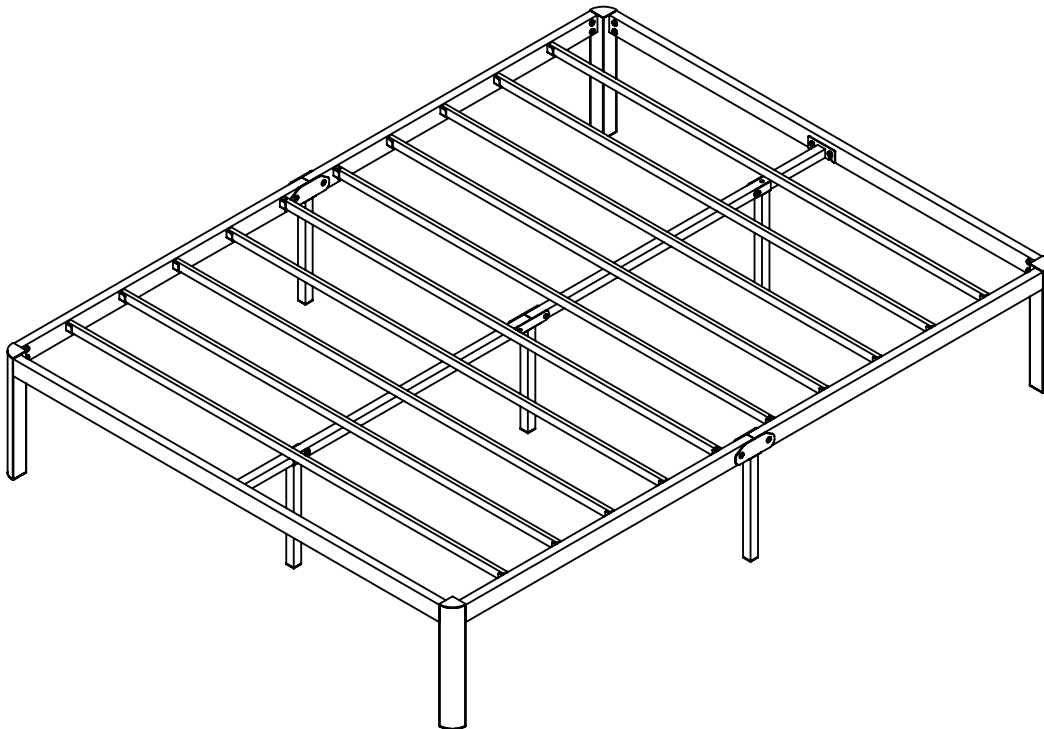




Pacific Northwest Made

14" Metal Platform Bed

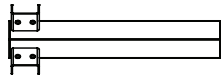
assembly instructions



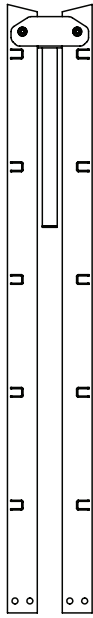


Pacific Northwest Made

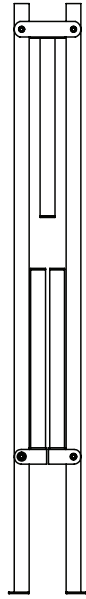
tools & parts included



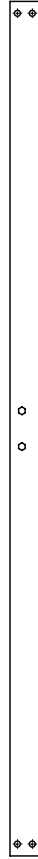
(A) x4



(B) x2



(C)



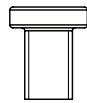
(D) x2



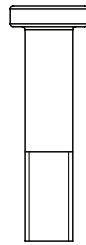
(E) x8



(F) x2



(G) x20

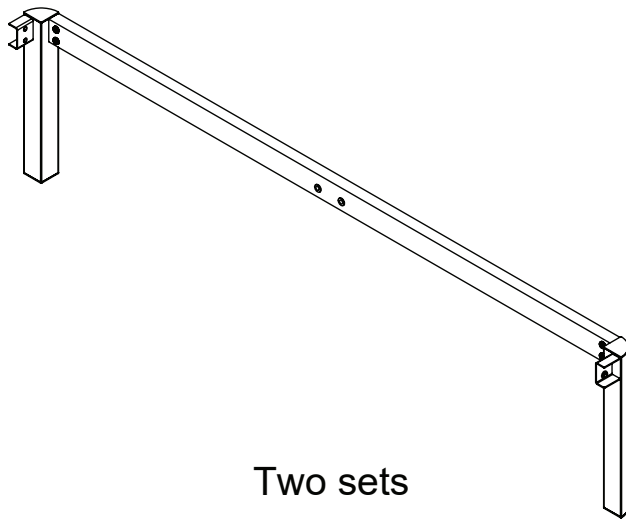
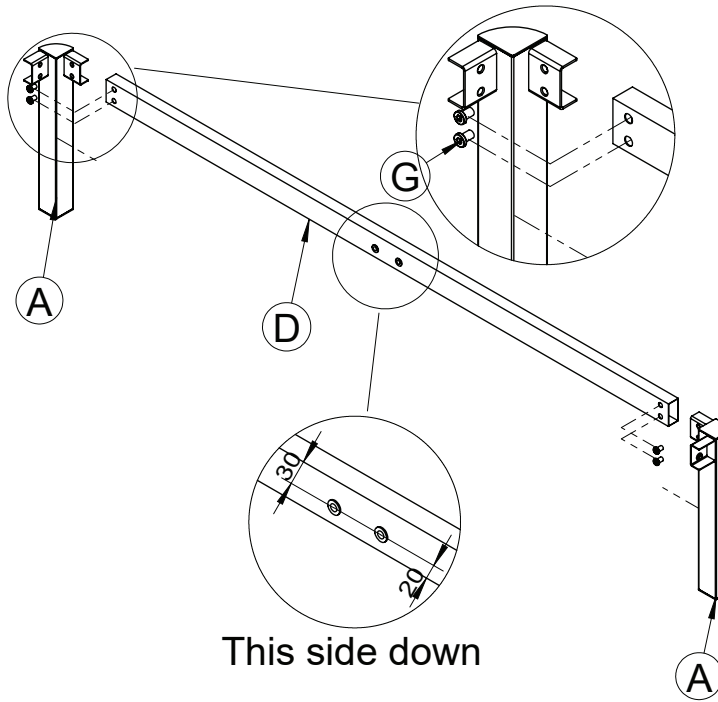


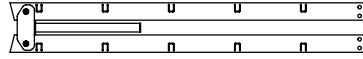
(H) x2



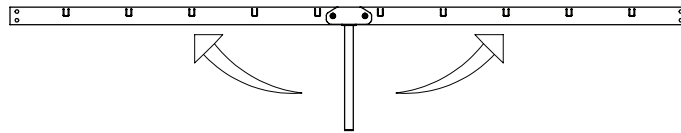
(L)

 GX8



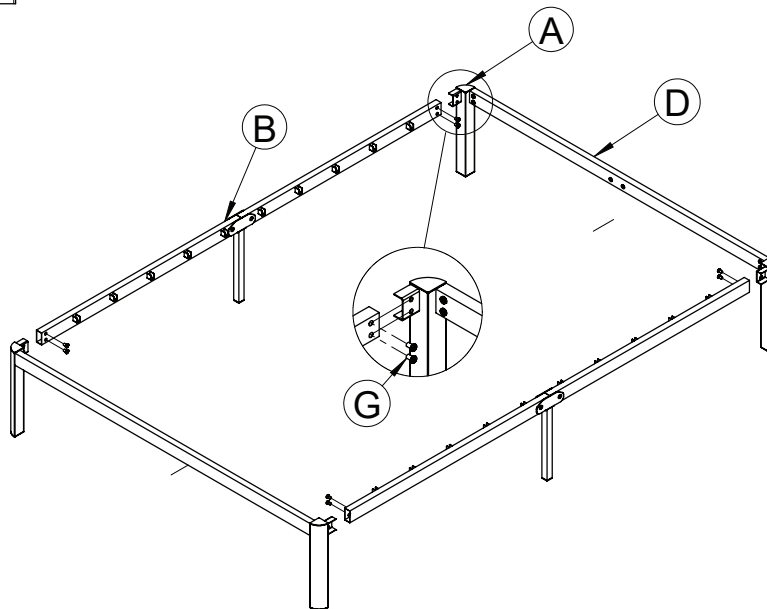


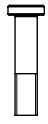
Bx2



Two sets

 GX8

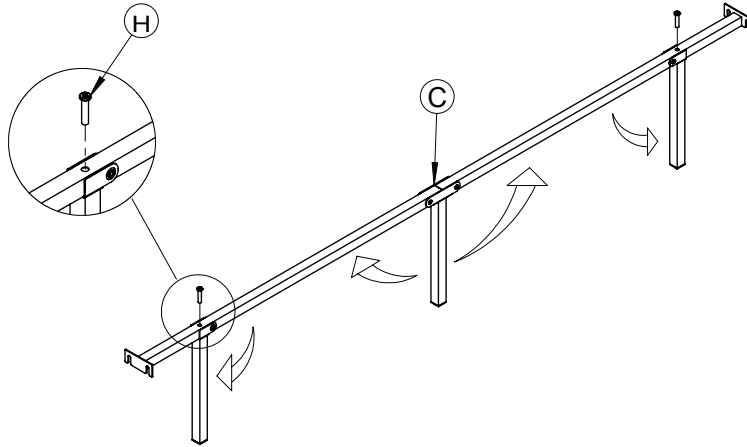




Hx2



C



GX4

