



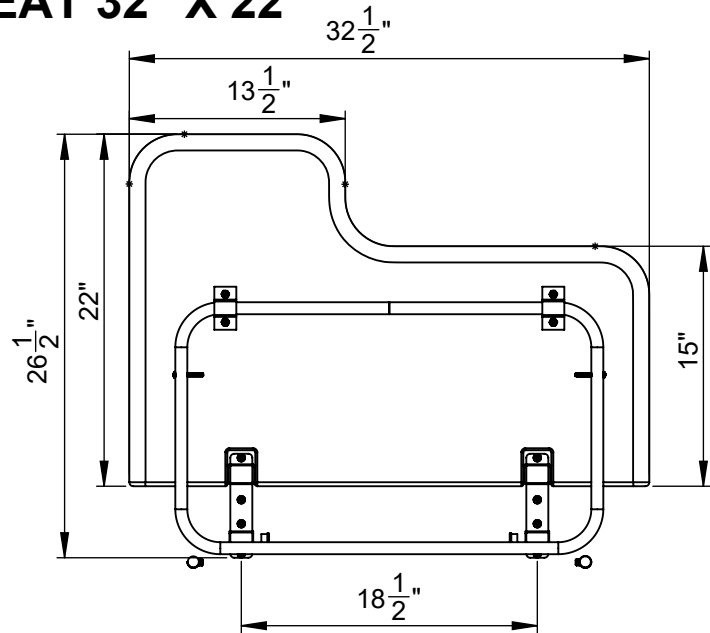
C.D. SPARLING COMPANY

Designer and Manufacturers of Self Help Products

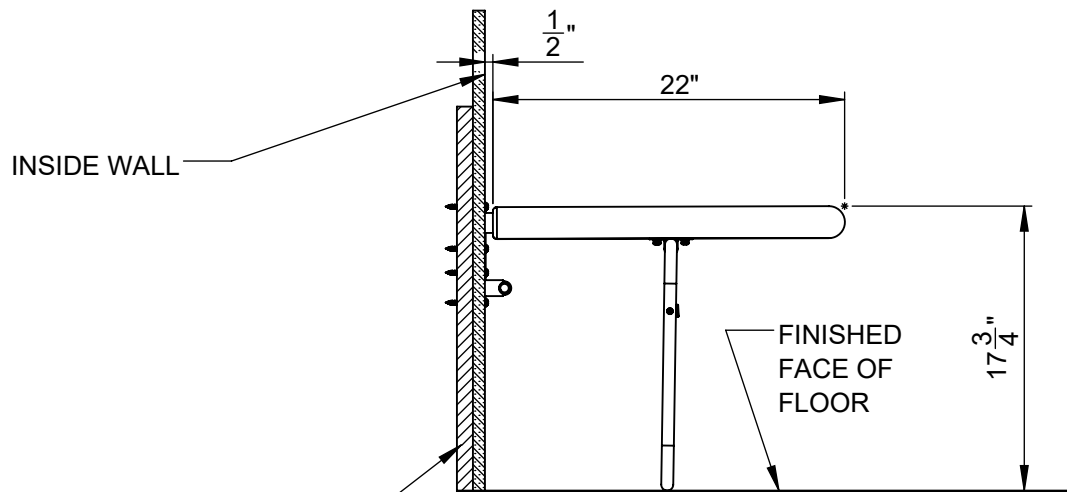
ADA-32 FOLD UP SHOWER SEAT 32" X 22"

SPECIFICATIONS:

The ADA-32 seat meets and exceeds ADAAG 4.26.3 for structural strength when properly mounted. The ADA-32 meets ANSI 610.3.1 standards specified for rectangular seats.



NOTE: Right hand version shown.



WOOD BACKING (NOT INCLUDED)

C.D. SPARLING COMPANY • 741 Victory Drive, Howell, Mi 48843
PHONE: (734) 455-3121 • FAX: (734) 455-7322 • WEB: www.cdsparling.com



C.D. SPARLING COMPANY

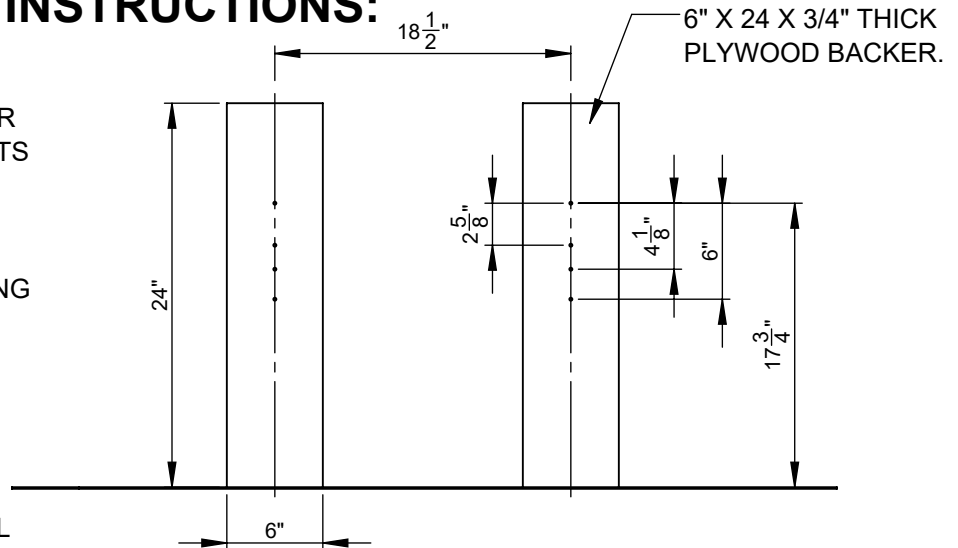
Designer and Manufacturers of Self Help Products

ADA-32 INSTALLATION INSTRUCTIONS:

FOR SAFE MOUNTING OF SEAT, PROPER BACKING FOR THE MOUNTING BRACKETS MUST BE INSTALLED AS SHOWN.

INSTALL THE 3/4" PLYWOOD BACKERS (NOT SUPPLIED) SO THAT THE MOUNTING BRACKETS WILL BE MOUNTED IN THE CENTER OF THE BACKERS.

ONCE THE BACKERS ARE IN PLACE. MARK THE SCREW LOCATIONS AS SHOWN. PRE-DRILLING THE SCREW LOCATIONS WITH AN 1/8" DRILL BIT WILL MAKE THE INSTALLATION EASIER.



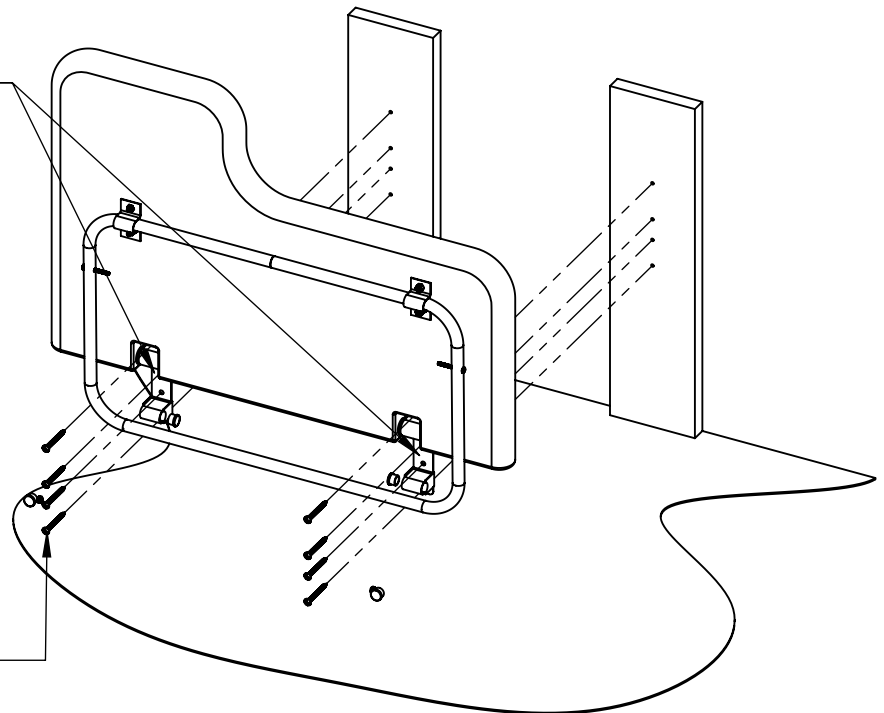
MOUNTING BRACKETS

HOLD THE ENTIRE UNIT WHILE FOLDED UP AGAINST THE WALL. LINE THE HOLES OF THE BRACKETS WITH THE HOLES IN THE WALL AND SECURE WITH THE #14 X 2 1/2" SCREWS.

DO NOT OVER TIGHTEN THE SCREWS.

UNFOLD SEAT TO CONFIRM PROPER INSTALLATION.

#14 X 2 1/2" SCREW



NOTE: RIGHT HAND VERSION SHOWN. INSTALLATION IS THE SAME FOR LEFT HAND VERSION

C.D. SPARLING COMPANY • 741 Victory Drive, Howell, Mi 48843
PHONE: (734) 455-3121 • FAX: (734) 455-7322 • WEB: www.cdsparling.com