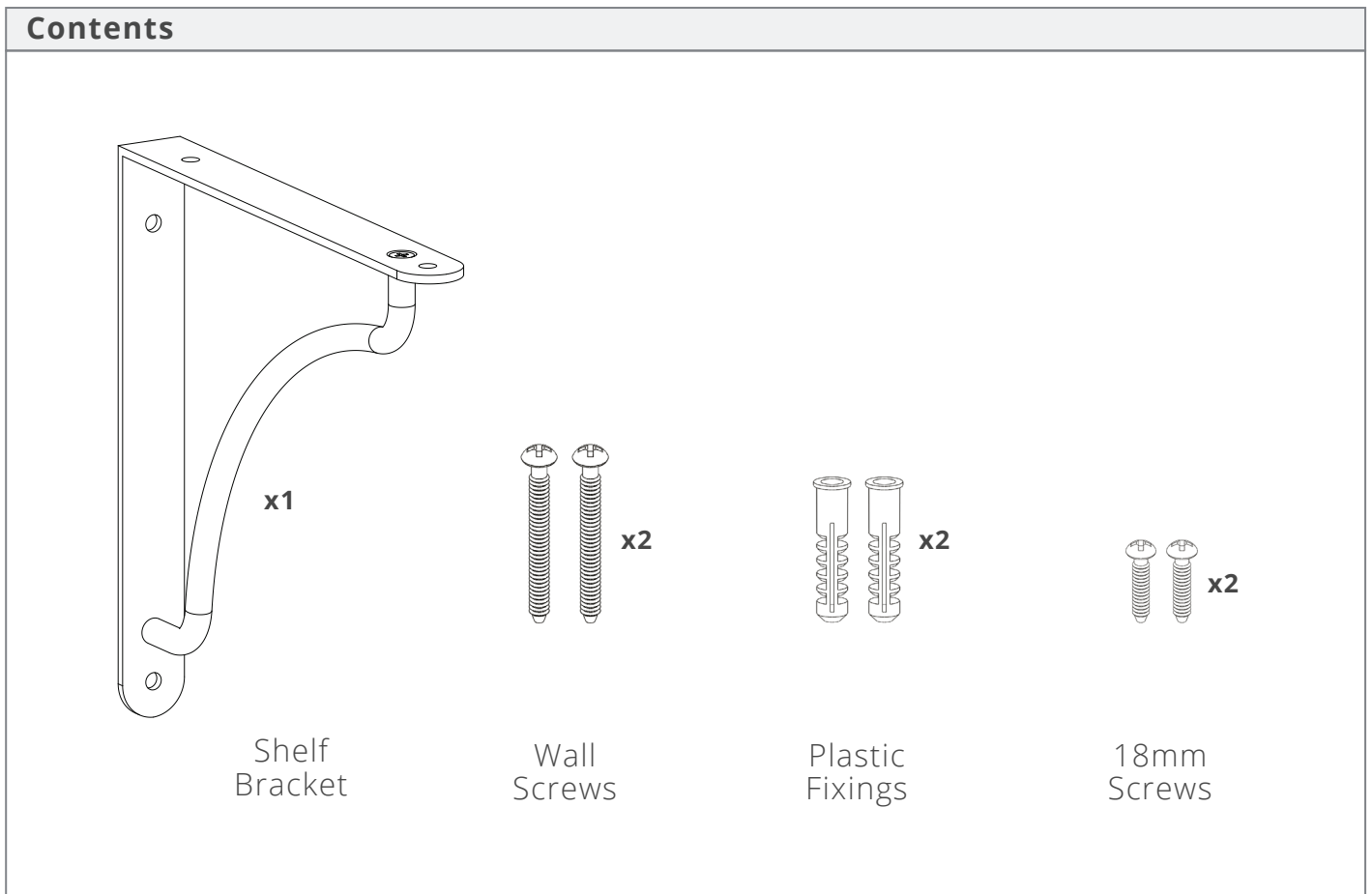


Shelf Bracket Fitting Instructions



Fitting

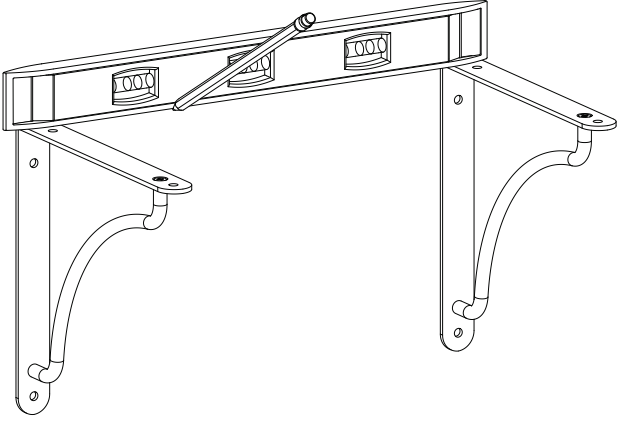
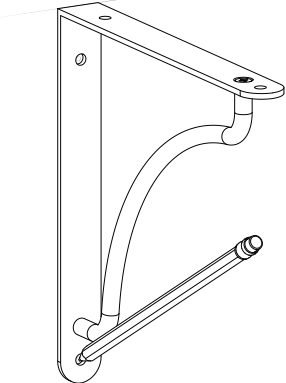
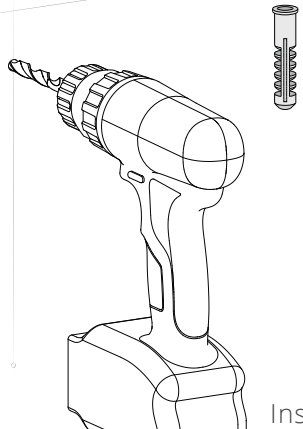
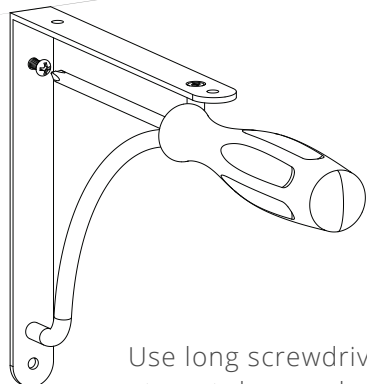
Before fitting, choose a suitable shelf to be used with the shelf brackets, work out how many brackets are required and how they will be spaced. If using a timber shelf, screw to the brackets using the 18mm screws. If using a stone shelf, secure with strong double-sided glazing tape or similar contact adhesive.

Care Instructions

Use a mild detergent and a damp cloth to maintain the hardware, avoiding chemical cleaners. Touching the hardware with another metal or hard object is likely to scratch and/or damage it.

All finishes will age and develop over time. If brass cleaner is used, it will remove the protective lacquer.

Shelf Bracket Fitting Instructions

1. Mark the horizontal shelf position	2. Mark the vertical hole positions
	
3. Drill two 8mm holes per bracket	4. Attach bracket with the long screws
 <p>Insert solid wall fixing</p>	 <p>Use long screwdriver so to not damage bracket</p>
5. For timber shelves, screw on	6. For stone, use contact adhesive
