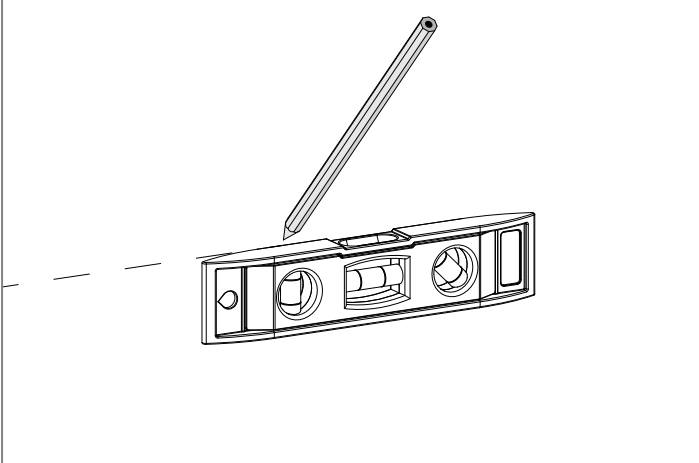
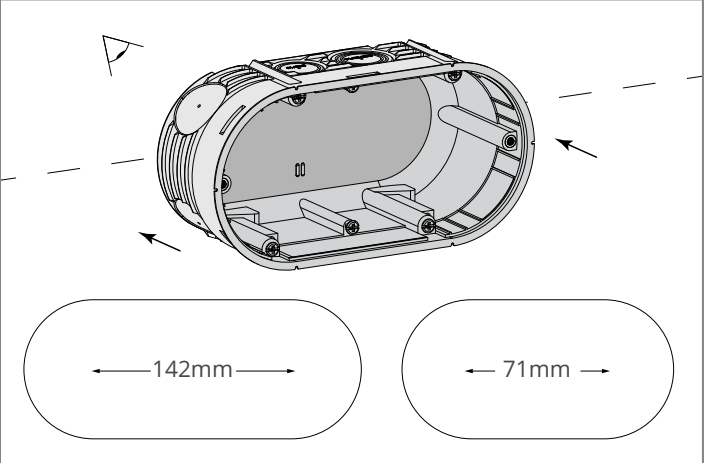


Plasterboard Backbox Fitting Instructions

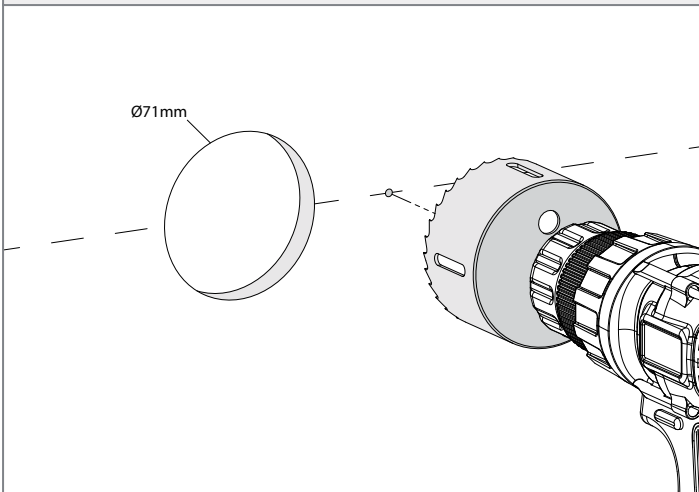
1. Draw a horizontal line on your wall, to help position your back box accurately



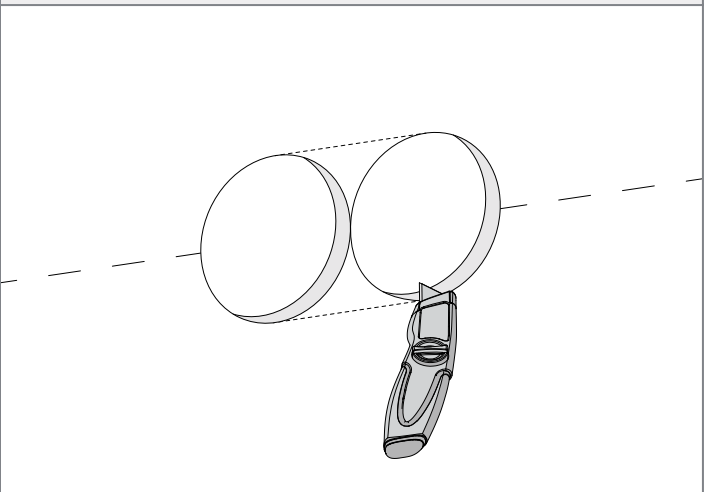
2. Use the back box to mark out hole distance



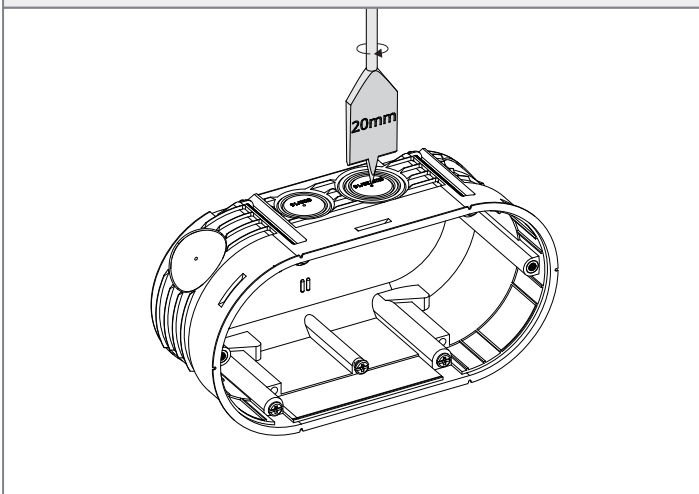
3. Drill 71mm holes using Corston holesaw



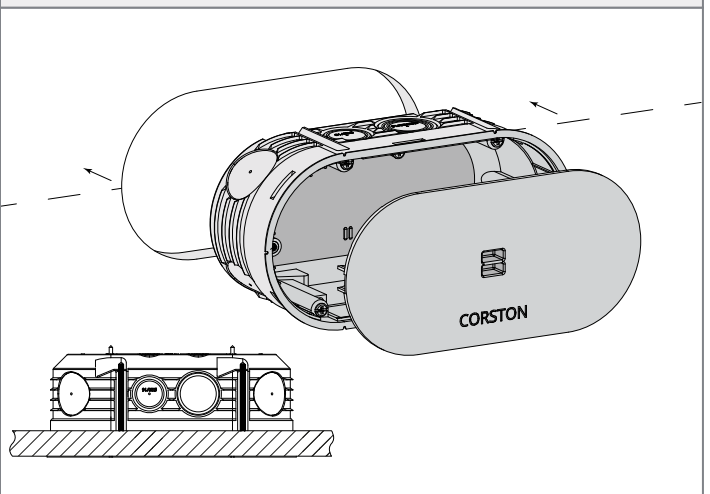
4. Cut excess plasterboard



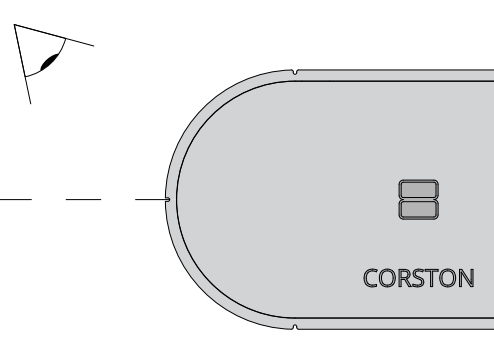
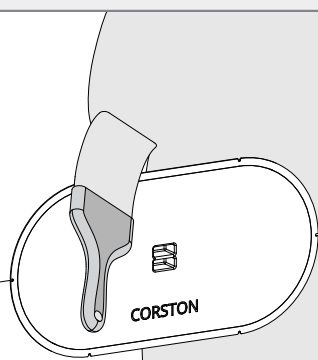
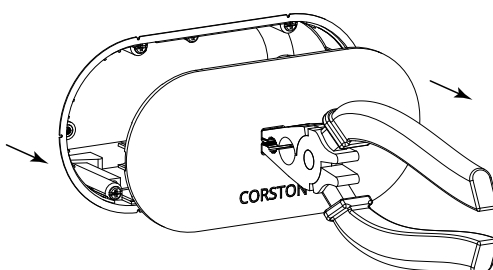
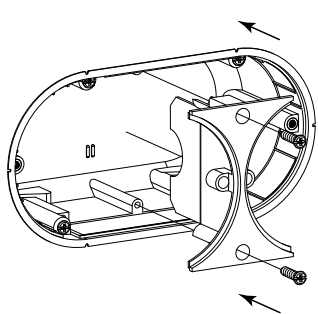
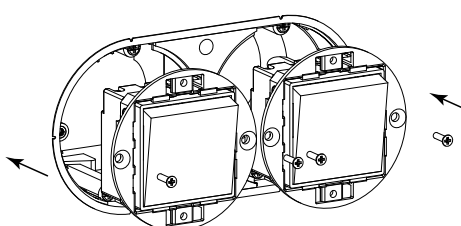
5. Drill conduit holes



6. Install back box into your wall



Plasterboard Backbox Fitting Instructions

<p>7. Ensure back box is installed level</p> 	<p>8. Paint wall</p> 
<p>9. Remove back box cover</p> 	<p>10. Install back box divider</p> 
<p>11. Install chassis</p> 	<p>12. Install front plate</p> 