

## Perryn Single Spotlight 50mm Datasheet



50mm - Antique Brass  
Code - 15002



50mm - Bronze  
Code - 14025



50mm - Polished Nickel  
Code - 14818

Location	Interior
Class	Class 1
IP Rating	-
Bathroom Zone	Zone 3
Driver Required	No
Cut out Hole	35mm - 45mm
Recess Depth	30mm
Fire Rating	No
Cable Length	200mm

Light Source	GU10
Max Wattage	6W
Lamp Included	No
Adjustable Tilt Angle	180

Switched	No
Dimmable	Bulb Dependant
Rated Voltage	220-240V
Rated Frequency	50 /60Hz



## Perryn Single Spotlight 35mm Datasheet



35mm - Antique Brass  
Code - 18600



35mm - Bronze  
Code - 16976



35mm - Polished Nickel  
Code - 17009

Location	Interior
Class	Class 1
IP Rating	-
Bathroom Zone	Zone 3
Driver Required	No
Cut out Hole	35mm - 45mm
Recess Depth	30mm
Fire Rating	No
Cable Length	200mm

Light Source	GU10
Max Wattage	3W
Lamp Included	No
Adjustable Tilt Angle	180

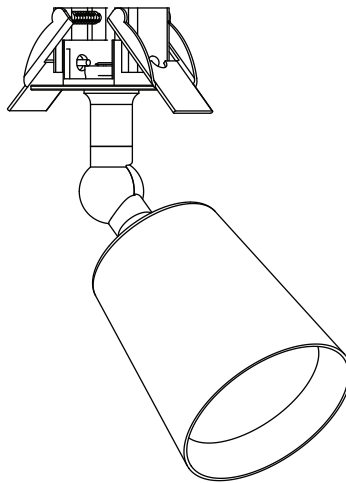
Switched	No
Dimmable	Bulb Dependant
Rated Voltage	220-240V
Rated Frequency	50 /60Hz



## Perryn Single Spotlight Instructions

Before installation the power supply should be isolated at the consumer unit circuit breaker. Verify that the power is off.

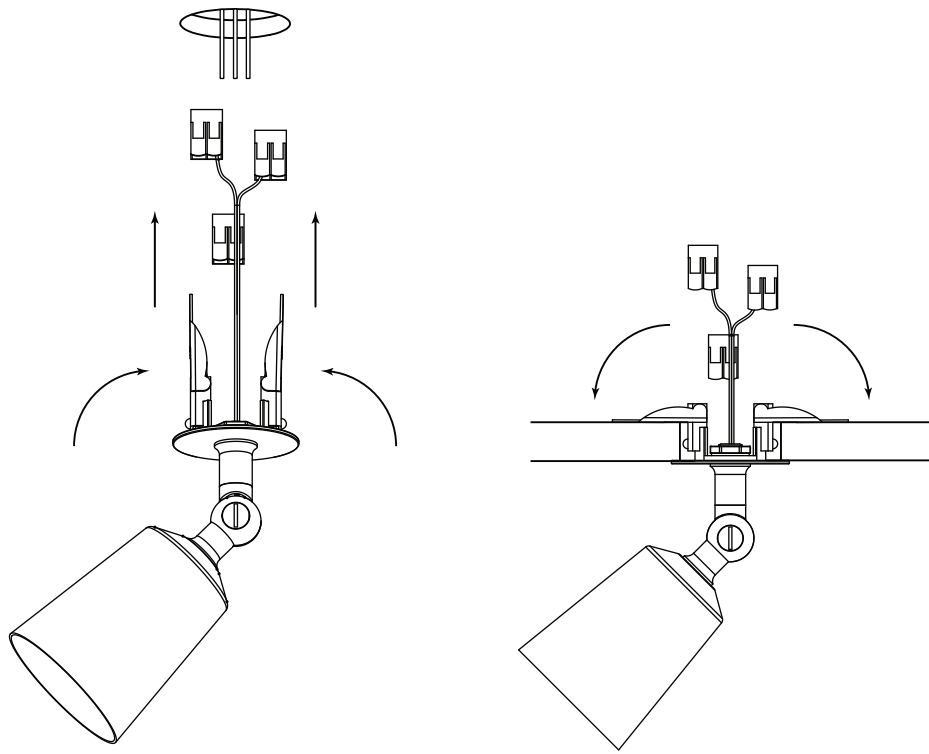
The Perryn Single Spotlight must be installed in accordance with the latest building regulations. Contact a qualified electrician if in any doubt.



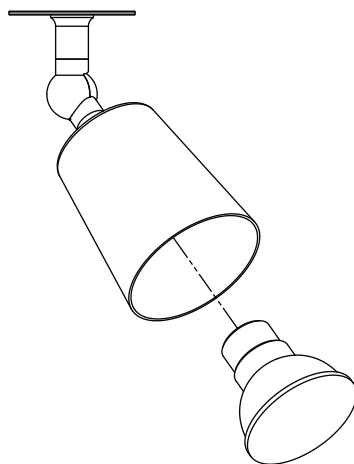
### Installation

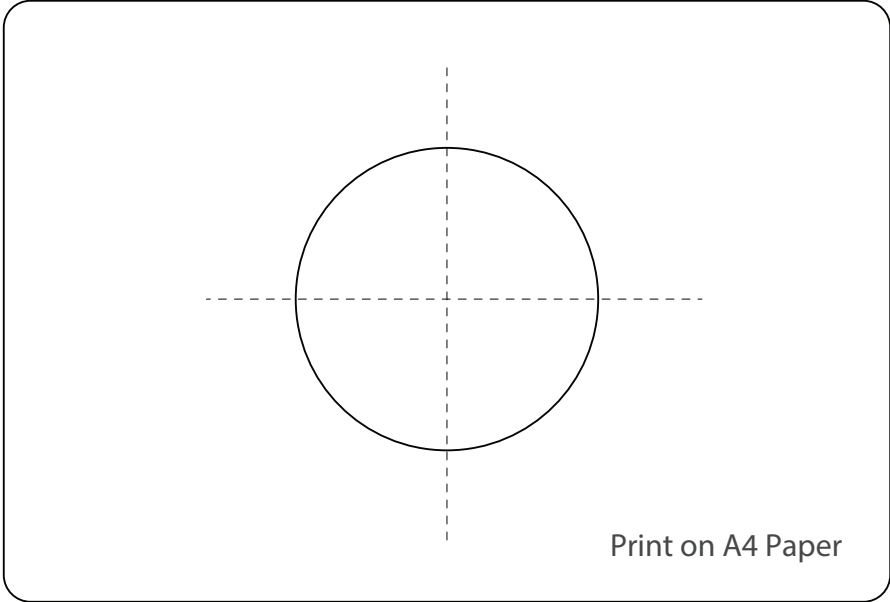
The Perryn Single Spotlight is designed to be fitted into a plaster board ceiling with a void. A 40mm hole saw is required for the wires and latching mechanism. Drill the hole for the wires and latching mechanism (template for this can be found on Page 5).

To fit the light into position, fold the two spring clips and insert the fitting through the hole, clips first. The spotlight can be pushed up into the ceiling until the springs fall into position. Position the spotlight in the direction required.



After positioning, insert a 50mm GU10 bulb (Arthur or Chester) or 35mm Bulb (Court) into the shade and test light to ensure wiring is correct.





## Perryn Double Spotlight 50mm Datasheet



50mm - Antique Brass  
Code - 17452



50mm - Bronze  
Code - 19848



50mm - Polished Nickel  
Code - 15060

Location	Interior
Class	Class 1
IP Rating	-
Bathroom Zone	Zone 3
Driver Required	No
Cut out Hole	35mm - 45mm
Recess Depth	30mm
Fire Rating	No
Cable Length	200mm
Light Source	GU10
Max Wattage	2x 6W
Lamp Included	No
Adjustable Tilt Angle	180
Switched	No
Dimmable	Bulb Dependant
Rated Voltage	220-240V
Rated Frequency	50 /60Hz



## Perryn Double Spotlight 35mm Datasheet



35mm - Antique Brass  
Code - 10932



35mm - Bronze  
Code - 11589



35mm - Polished Nickel  
Code - 15129

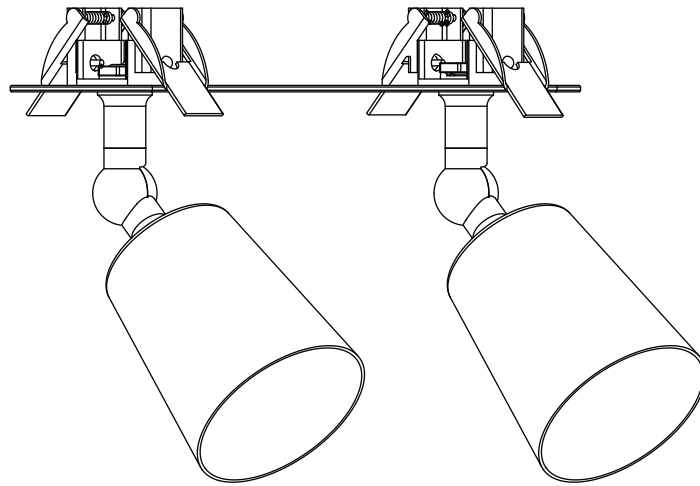
Location	Interior
Class	Class 1
IP Rating	-
Bathroom Zone	Zone 3
Driver Required	No
Cut out Hole	35mm - 45mm
Recess Depth	30mm
Fire Rating	No
Cable Length	200mm
Light Source	GU10
Max Wattage	2x 3W
Lamp Included	No
Adjustable Tilt Angle	180
Switched	No
Dimmable	Bulb Dependant
Rated Voltage	220-240V
Rated Frequency	50 /60Hz



## Perryn Double Spotlight Instructions

Before installation the power supply should be isolated at the consumer unit circuit breaker. Verify that the power is off.

The Perryn Double Spotlight must be installed in accordance with the latest building regulations. Contact a qualified electrician if in any doubt.

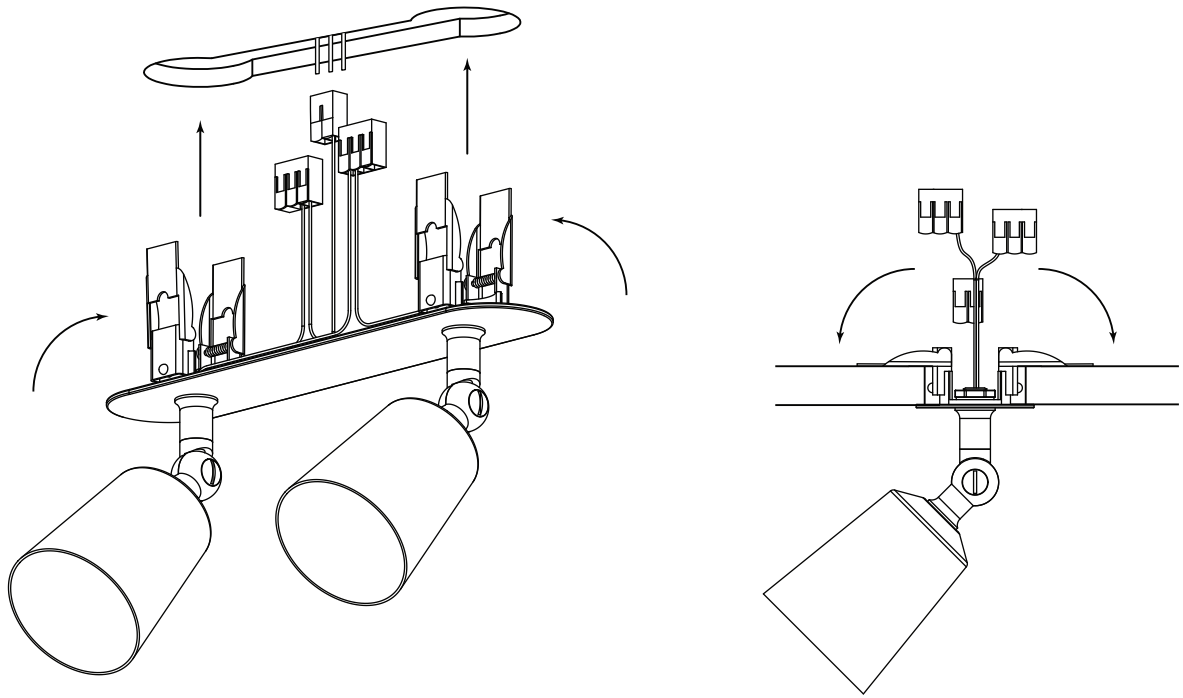


### Installation

The Perryn Double Spotlight is designed to be fitted into a plaster board ceiling with a void. A 40mm hole saw is required for the wires and latching mechanism. Drill two holes for the wires and latching mechanism 15cm apart. Using a small saw cut a track between the two holes (template for this can be found on Page 5).

To fit the light into position, fold the four spring clips and insert the fitting through the hole, clips first. The spotlight can be pushed up into the ceiling until the springs fall into position. Position the spotlight in the direction required.





After positioning, insert a 50mm GU10 bulb (Arthur or Chester) or 35mm Bulb (Court) into the shade and test light to ensure wiring is correct.

