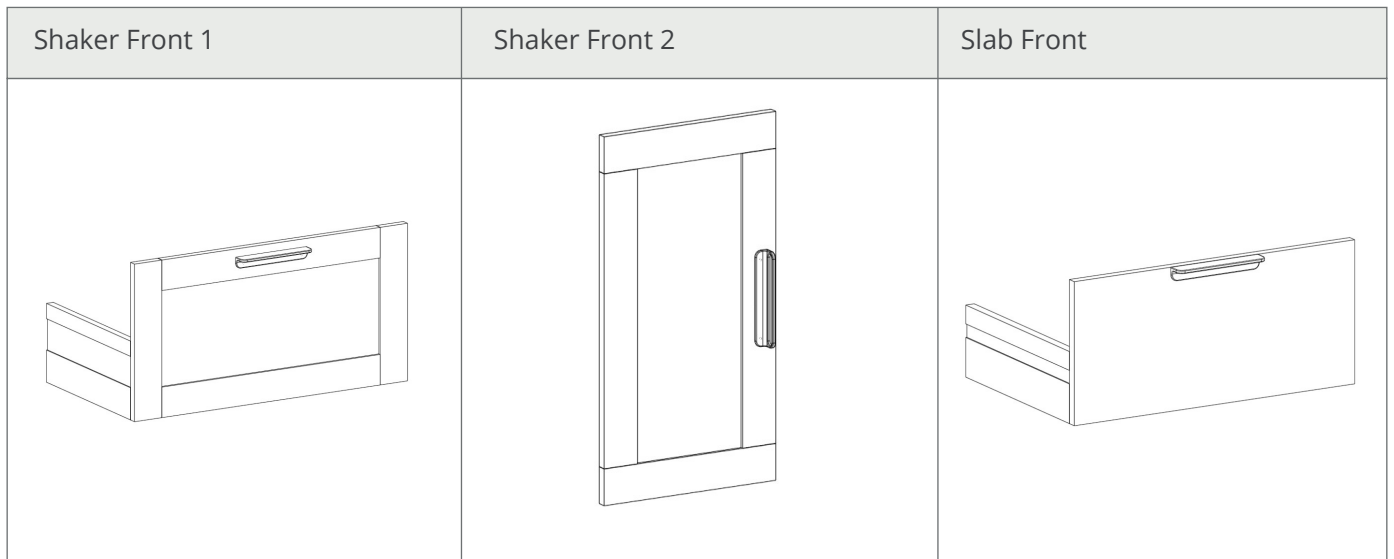
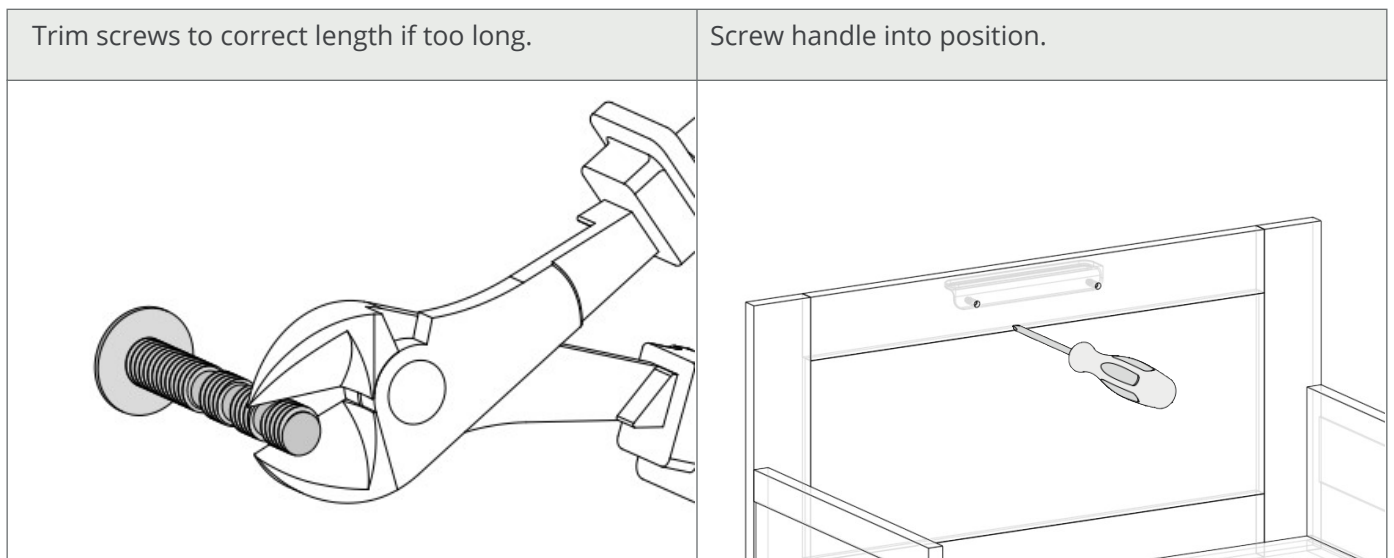
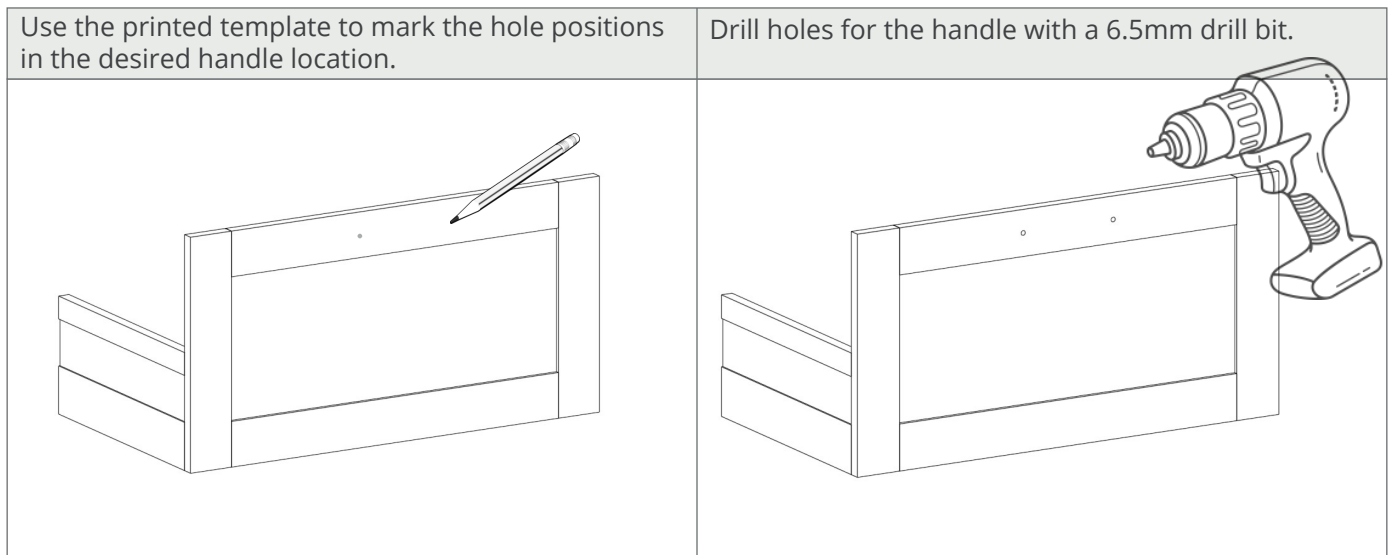


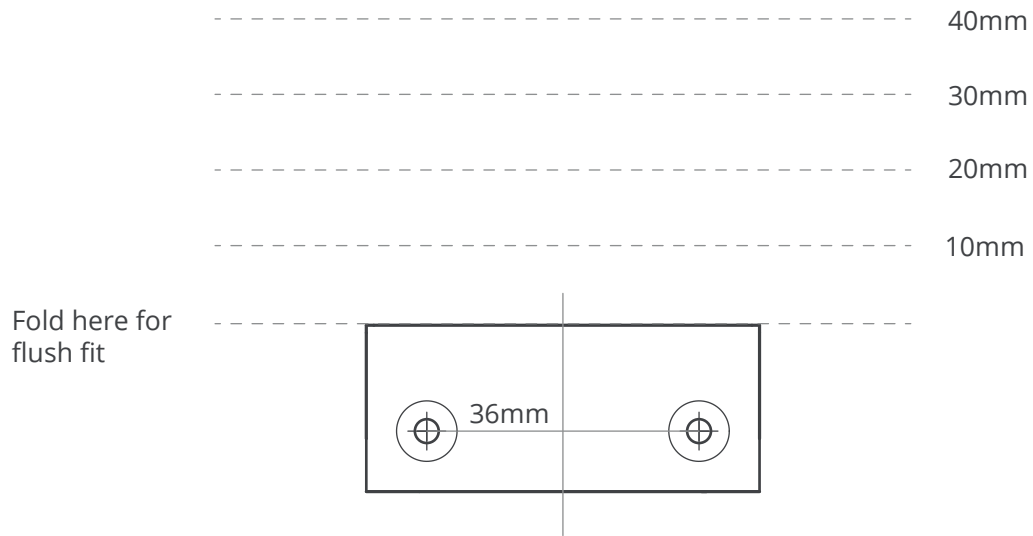
### Oxford handle instructions



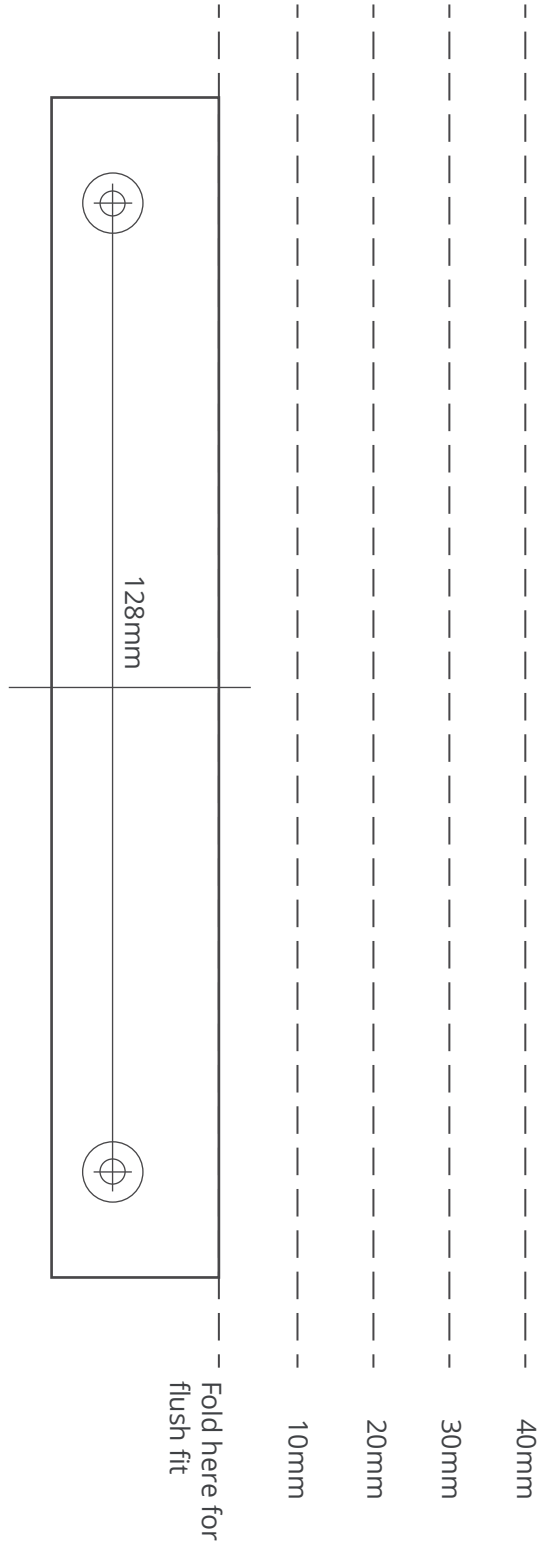
Please Note: Oxford handles can be mounted horizontally & vertically.



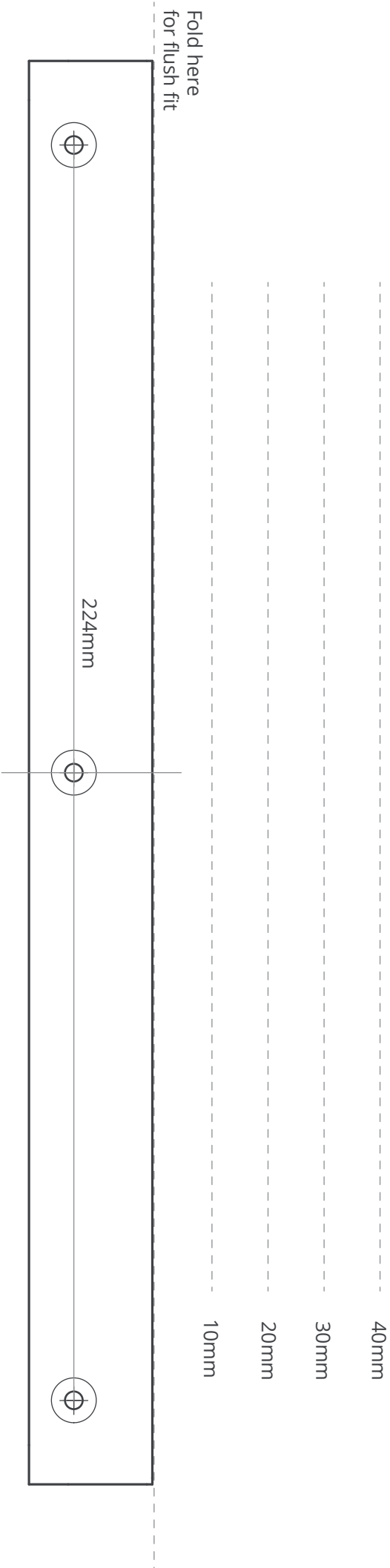
### 36mm Oxford handle mounting template



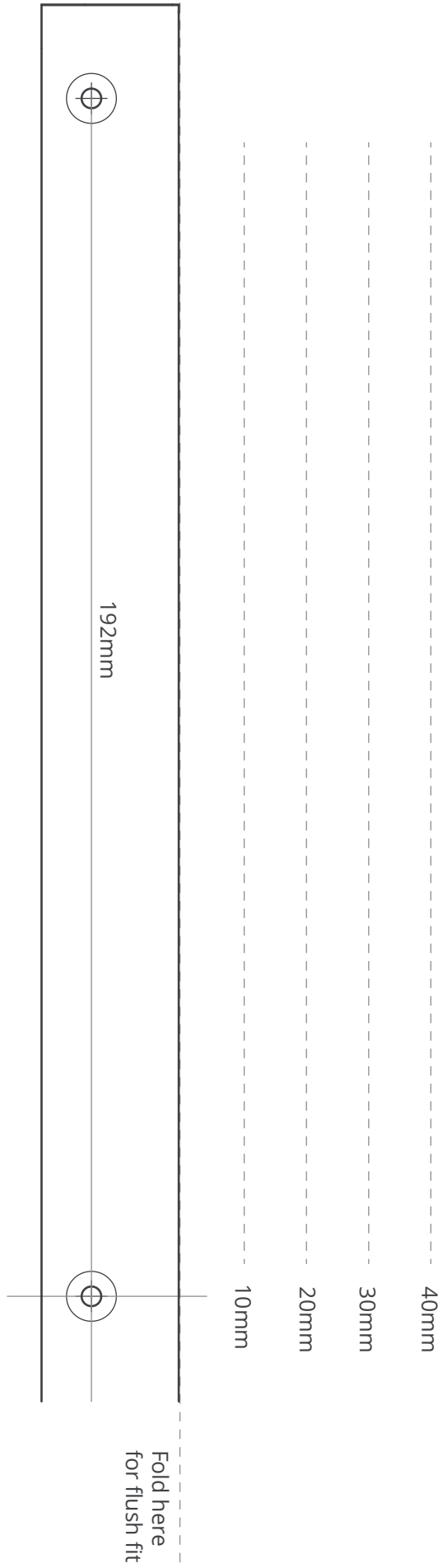
# 128mm Oxford handle mounting template



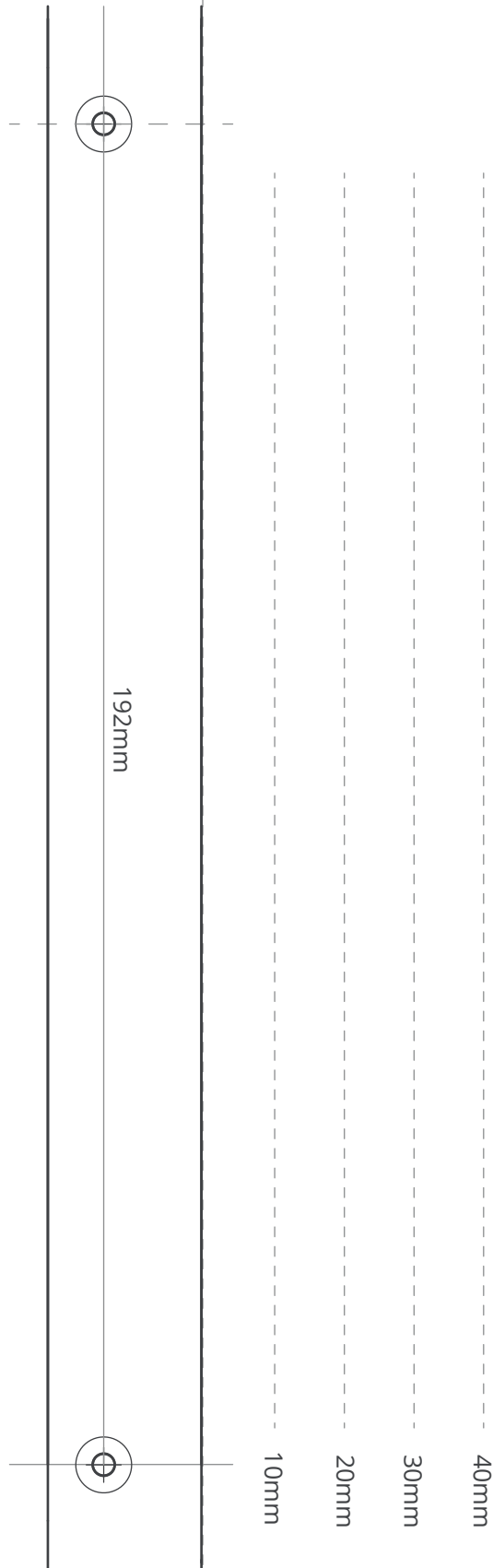
**224mm Oxford handle mounting template**



**384mm Oxford handle mounting template**  
**Please stick page 5 & 6 together**



**384mm Oxford handle mounting template**  
**Please stick page 5 & 6 together**



Fold here  
for flush fit