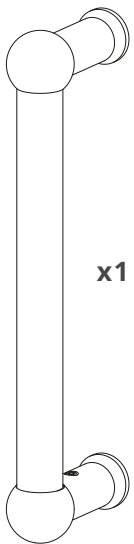


## Single Harper Pull Handle

### Contents



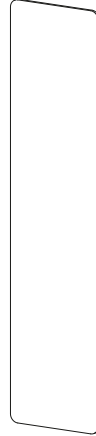
x1

Harper Pull Handle



x1

Harper Pull Handle Plate



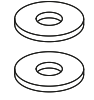
x1

Double-Sided Pad (Optional)



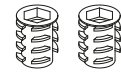
x1

Allen Key



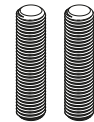
x2

Rubber Washers



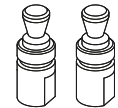
x2

Insert Nuts



x2

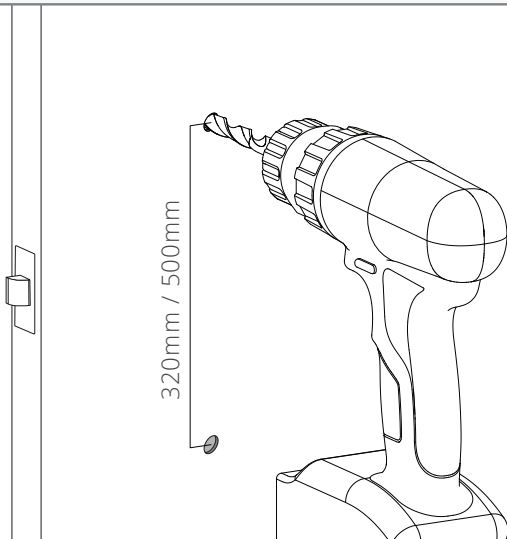
Threaded Bars



x2

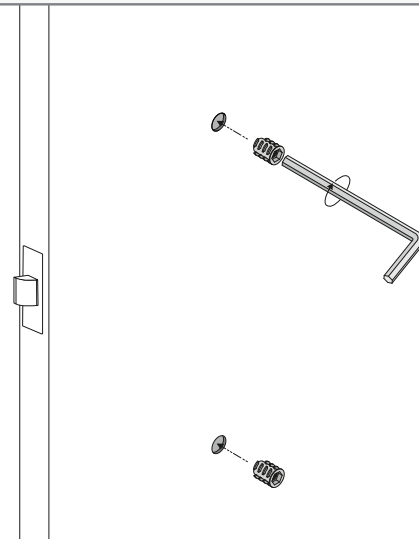
Handle Anchors

### 1. Drill the holes



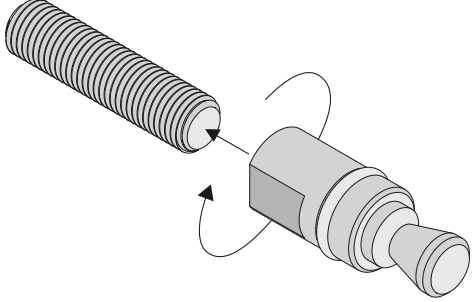
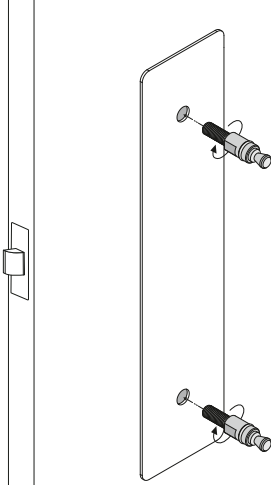
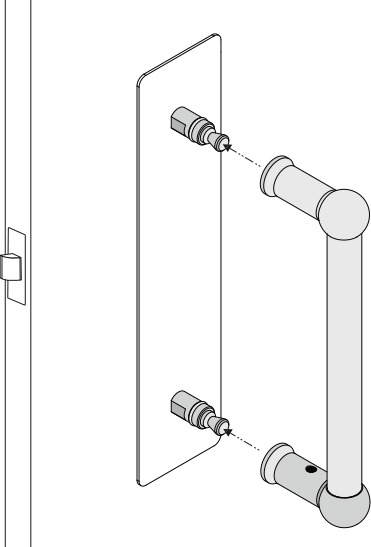
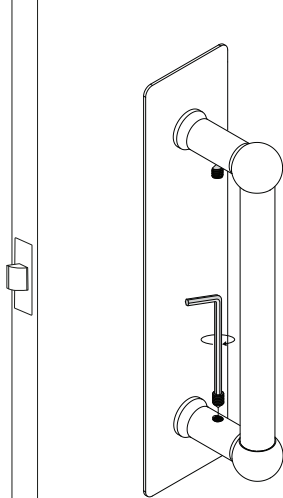
Mark and drill two holes in the timber door using a 10mm drill bit. Masking tape can be used to mark accurate holes and adjust positioning.

### 2. Insert the nuts



Use the allen key to drive the insert nuts into the holes. Ensure the insert nut is flush with surface.

## Single Harper Pull Handle

3. Insert the threaded bars	4. Attach handle anchors (and plate)
	
<p>Insert threaded bar all the way into handle anchor.</p>	<p>Screw anchors into door over plate and tighten by hand. Use a spanner for more robust doors.</p>
5. Attach the handle	6. Tighten the grub screws
	
<p>Attach handle to the anchors. Both ends of the handle should be flush with the plate/door</p>	<p>Using the allen key, tighten the two grub screws on the inside of the handle.</p>

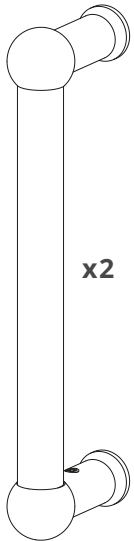
### Please Note

The double-sided pad can be used to secure the plate to the door. This is to assist with uneven door surfaces. Once attached to the plate, it cannot be removed. Only use if the plate is not stable without it.

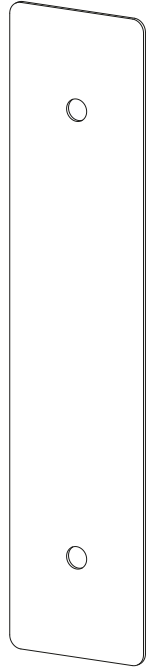
Rubber washers can be used to protect the door frame but will be visible.

**Double Harper Pull Handle**

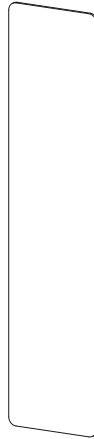
**Contents**



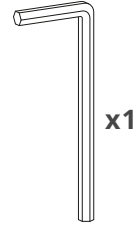
Harper Pull  
Handles



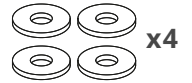
Harper Pull  
Handle Plates



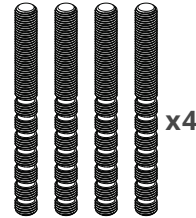
Double-Sided  
Pads (Optional)



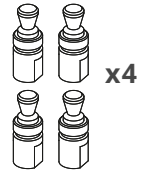
Allen  
Key



Rubber  
Washers

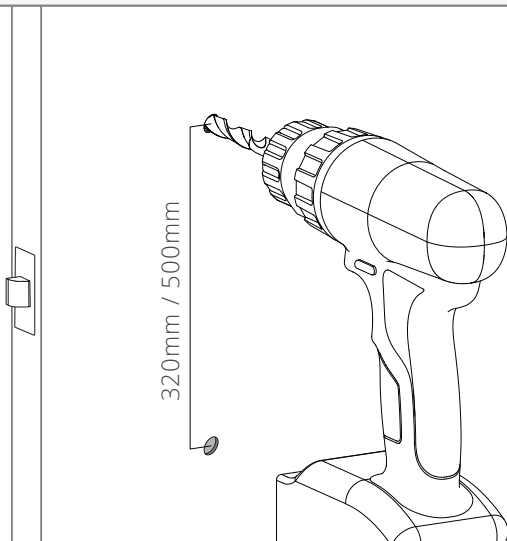


Threaded  
Bars



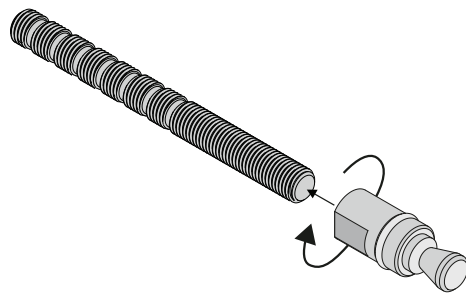
Handle  
Anchors

**1. Drill the holes**



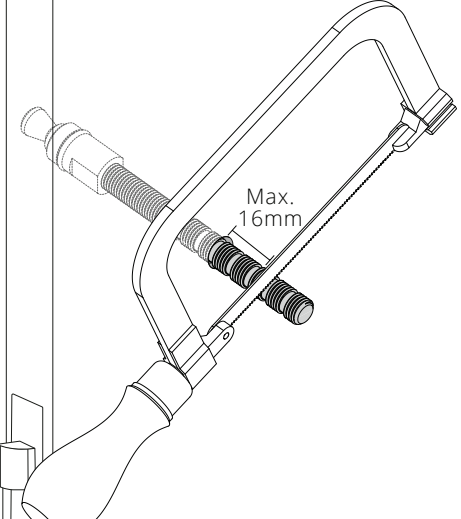
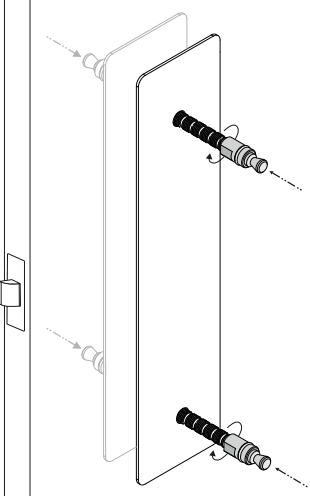
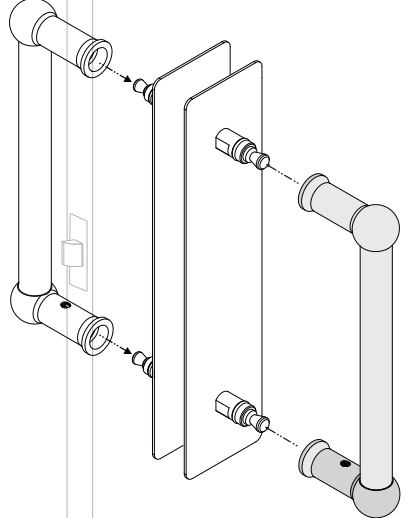
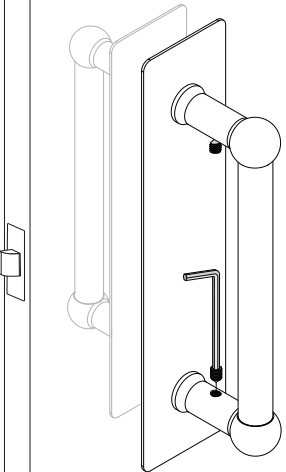
Mark and drill two holes in the timber door using a 10mm drill bit. Masking tape can be used to mark accurate holes and adjust positioning.

**2. Insert the threaded bars**



Insert threaded bar all the way into handle anchor.

## Double Harper Pull Handle

3. Cut the threaded bars	4. Attach handle anchors (and plates)
	
<p>Insert the threaded bar through the door and mark 16mm of thread through the other side. Cut the threaded bar on a thread clearance with a hacksaw.</p>	<p>Screw anchors into door over plate and tighten by hand. Use a spanner for more robust doors.</p>
5. Attach the handles	6. Tighten Grub Screws
	
<p>The handle can be attached to the anchors. Both ends of the handle should be flush to the plate or the door</p>	<p>Using the allen key, tighten the four grub screws on the inside of the handle.</p>

### Please Note

The double-sided pad can be used to secure the plate to the door. This is to assist with uneven door surfaces. Once attached to the plate, it cannot be removed. Only use if the plate is not stable without it.

Rubber washers can be used to protect the door frame but they will be visible. **Rubber washers must be used when attaching to glass doors.**