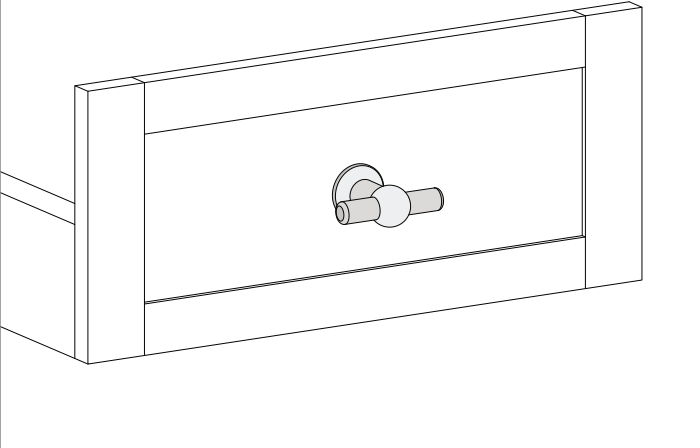
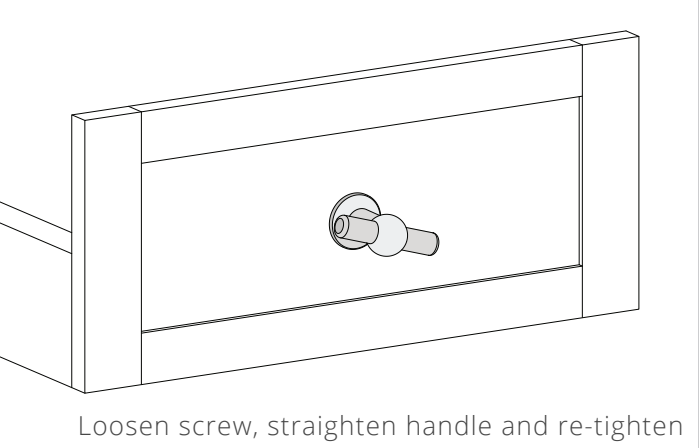
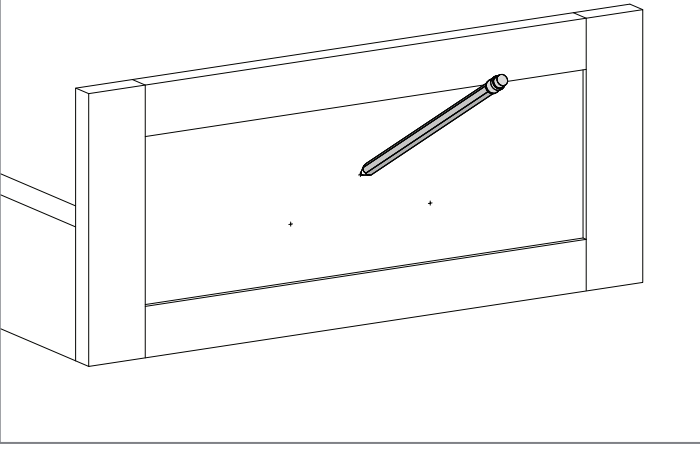
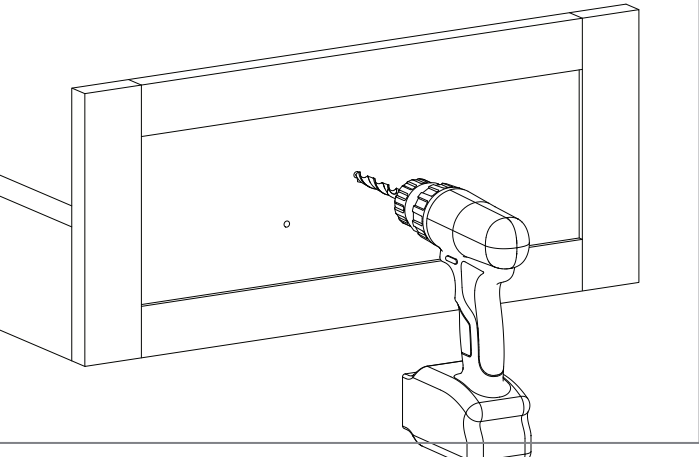
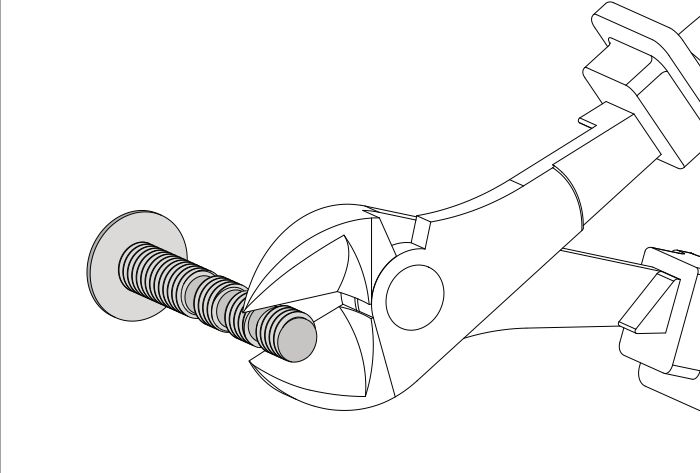
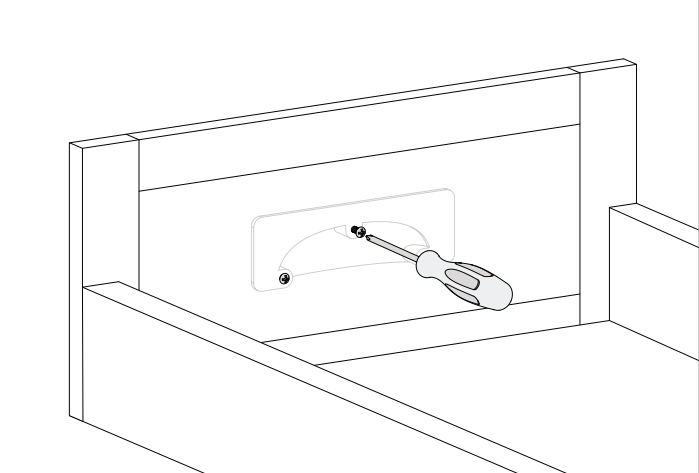


Furniture Handle Fitting Instructions

1. Secure with M4 screw provided	2. If handle is not straight
	 <p data-bbox="874 779 1492 815">Loosen screw, straighten handle and re-tighten</p>

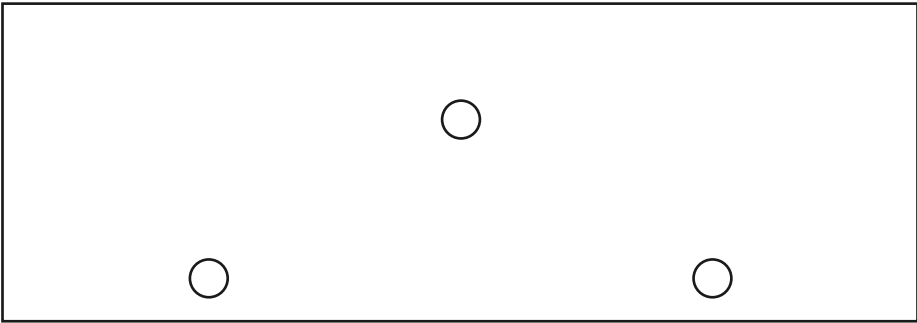
Please Note: Do not turn the handle onto a stationary screw as this may damage the door.

Cup Handle Fitting Instructions

1. Mark hole positions on cabinet*	2. Drill holes for the handle
	
	

***Please Note:** Use the templates provided

84mm Elm Cup Handle Template



164mm Elm Cup Handle Template

