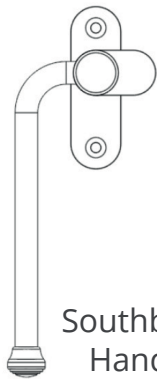


**Southbank casement handle
with plate instructions**

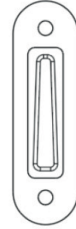
Contents



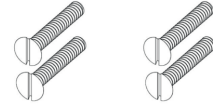
Southbank
Handle



Face Plate

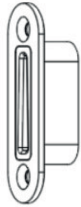


Plastic Mortice
Insert



X4 4mm slot head
wood screws

Use the back of the plastic mortice insert as a template to outline the size and shape of the recessed pocket. The pocket must be at least 15mm deep to accommodate the insert. We recommend using a router for the best results.

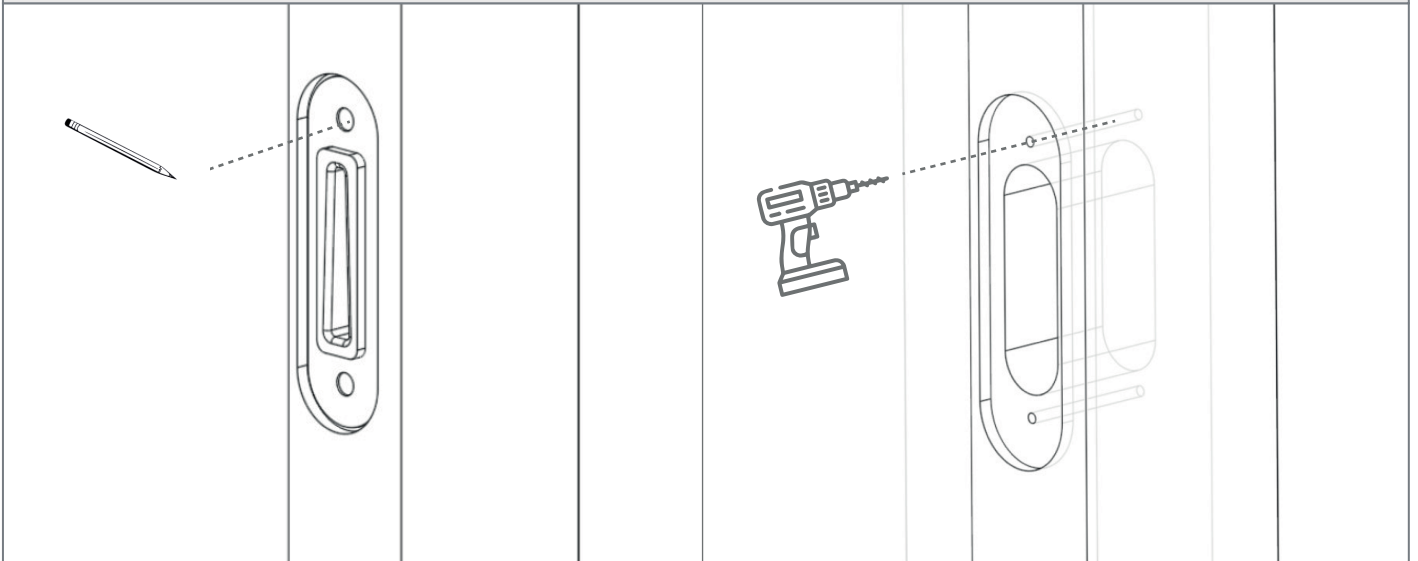


The face plate can also be recessed by 2.5mm if a flush fit is required.

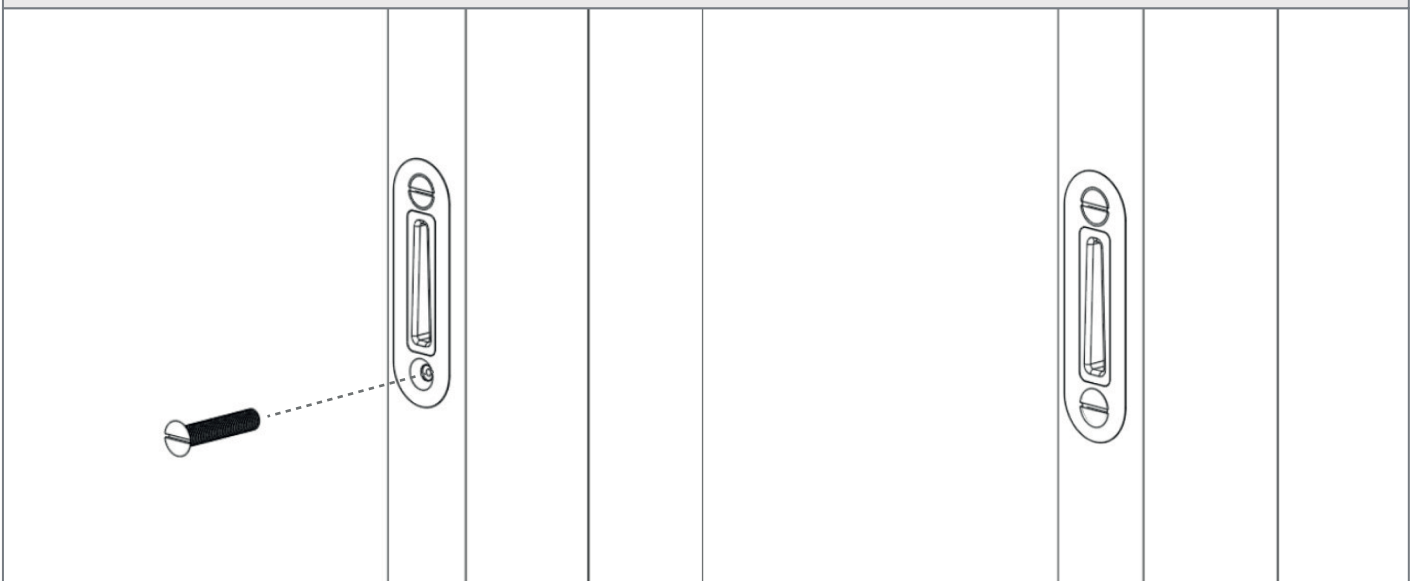


Southbank casement handle with plate instructions

Use the Plastic mortice insert to mark out the mounting holes before drilling a pilot hole for the 4mm wood screws.

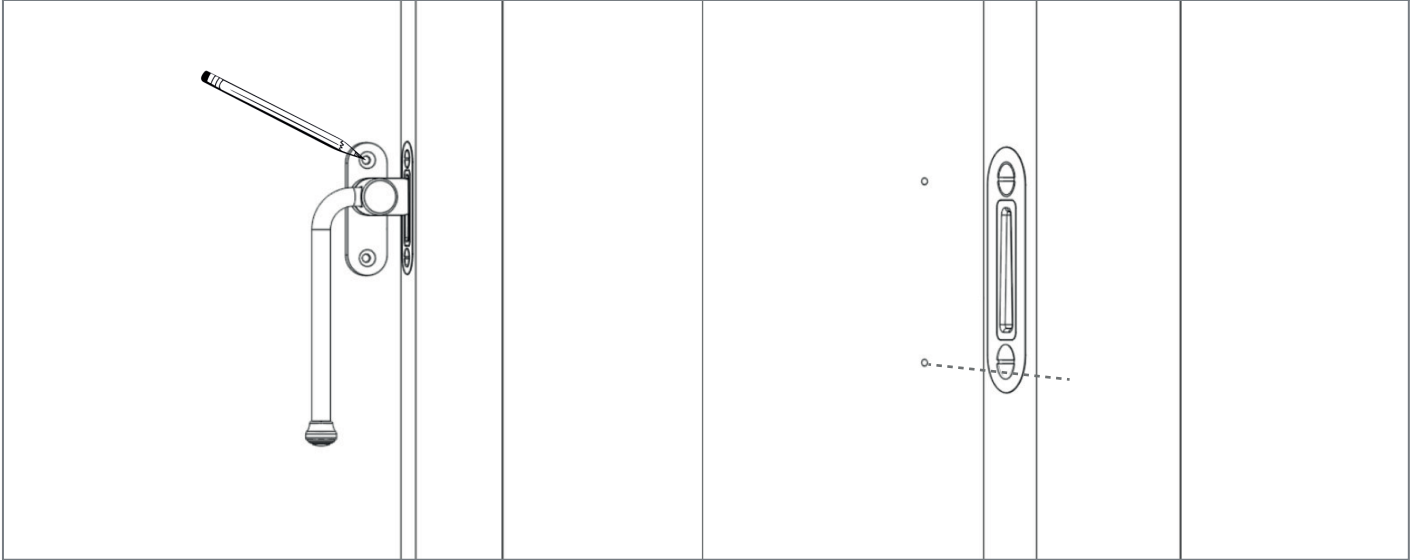


Fasten the Plate to the frame with the provided screws.

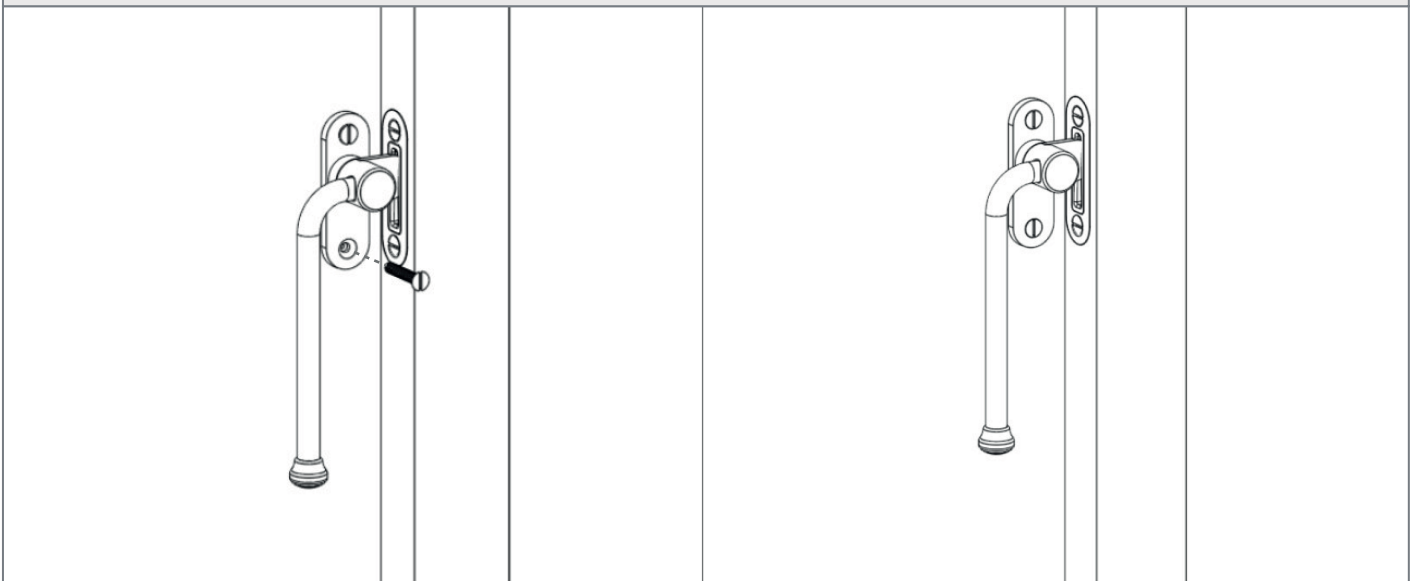


Southbank casement handle with plate instructions

Place the handle on the face of the window and use a pencil to mark the mounting hole positions. Make sure the handle is sitting in its rest position and that the window can be opened and closed freely before drilling pilot holes.



Fasten the handle to the window using the provided screws.



Southbank casement stay instructions

Contents



Southbank stay

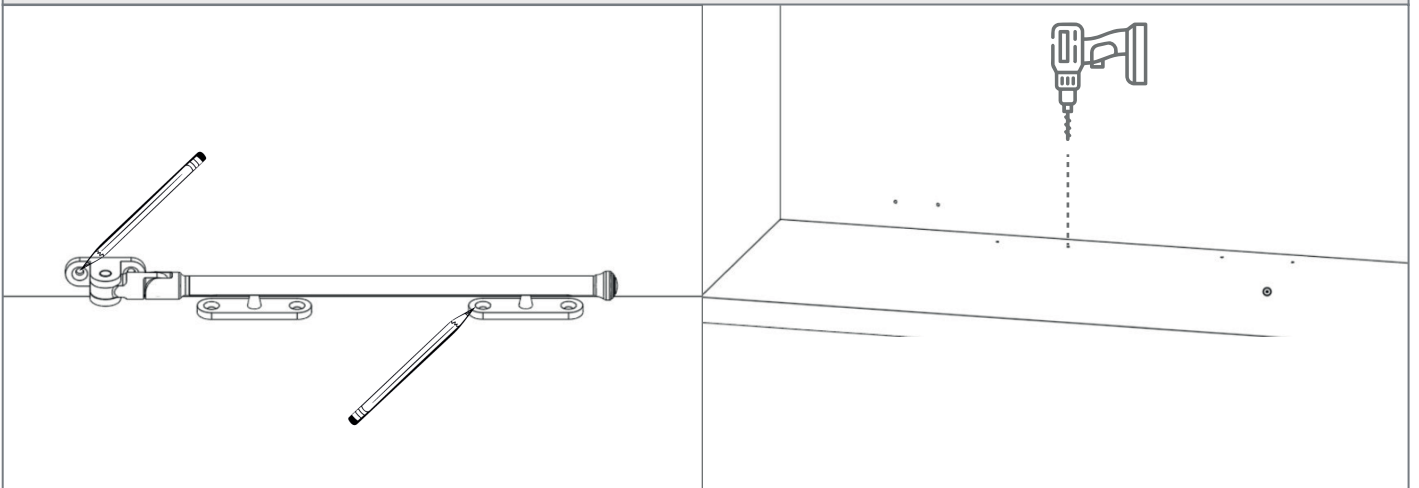


X2 Southbank
stay pin

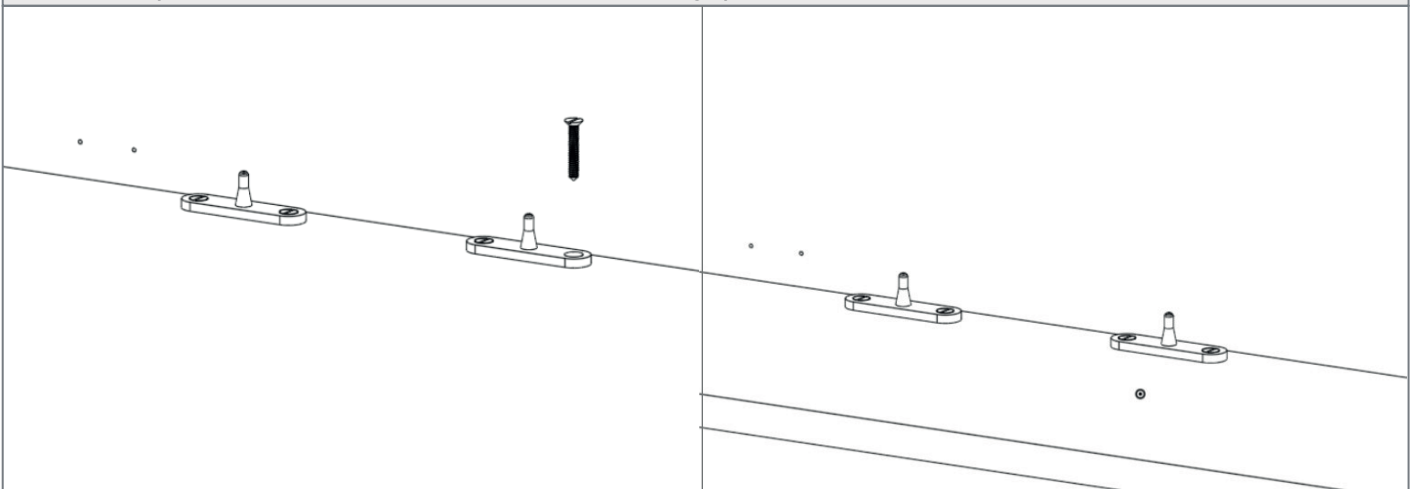


X6 4mm slot
head wood screws

Place the stay and stay pins on the window frame in the desired location. Using a pencil mark out the mounting hole positions before drilling pilot holes.

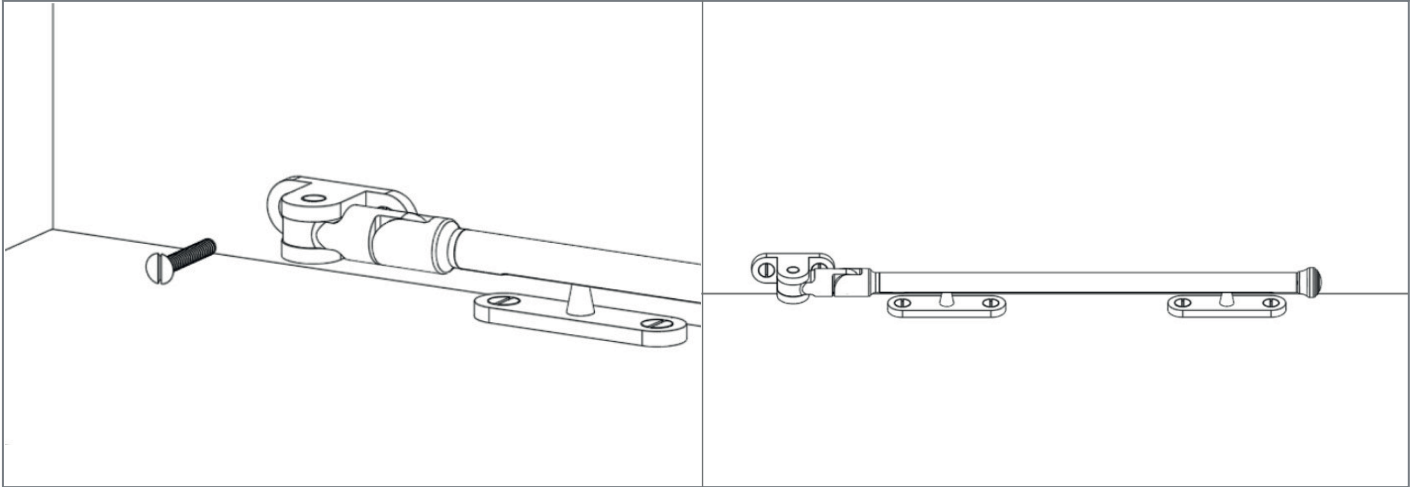


Use the provided screws to mount the stay pins to the window frame.



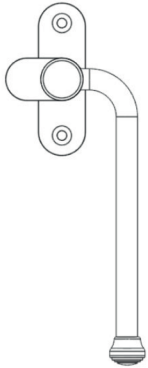
Southbank casement stay instructions

Use the screws provided to mount the stay to the window.



Southbank casement handle with hook instructions

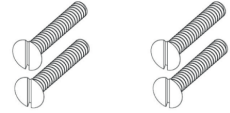
Contents



Southbank
Handle

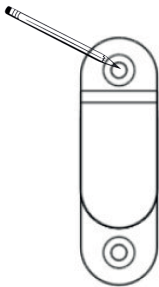


Hook Plate



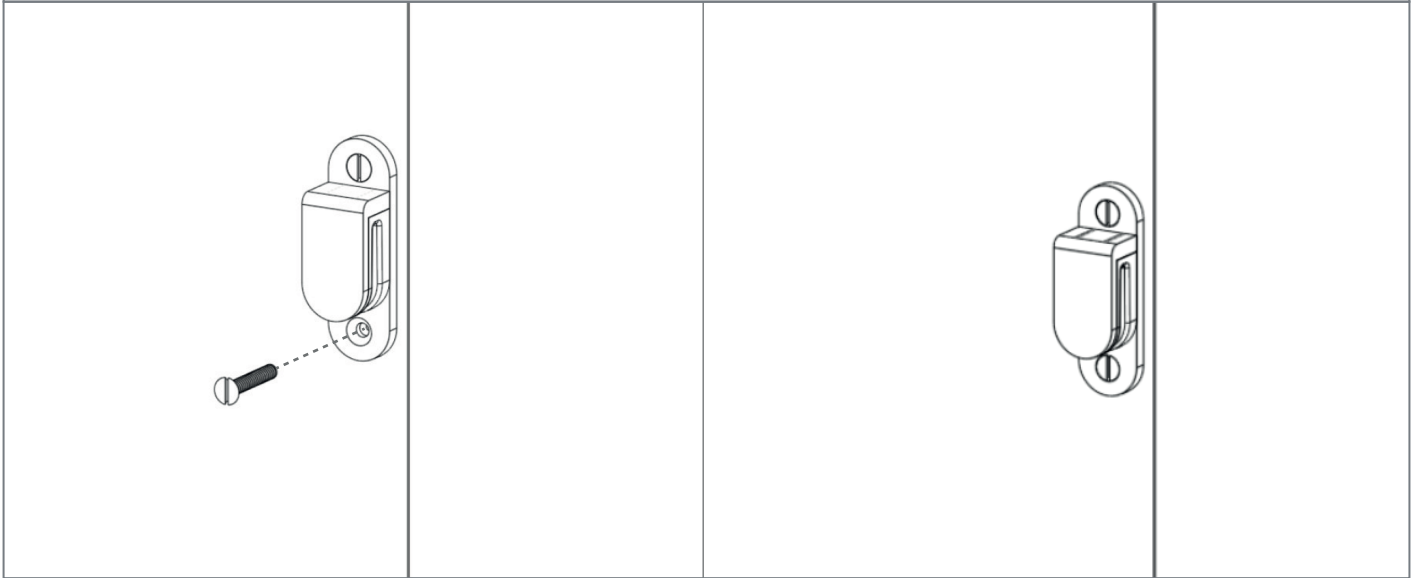
X4 4mm slot head
wood screws

Position the Hook plate in place on the window frame. Using a pencil mark out the mounting hole positions before drilling pilot holes.

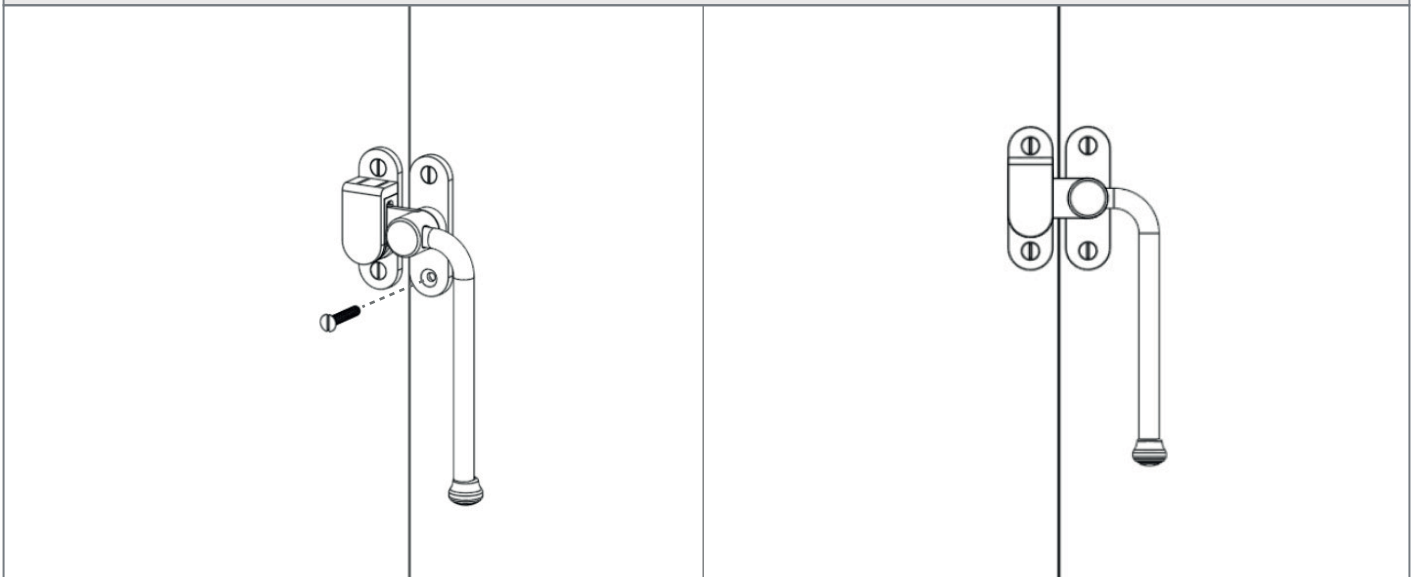


Southbank casement handle with hook instructions

Fasten the hook plate into place with the provided screws.

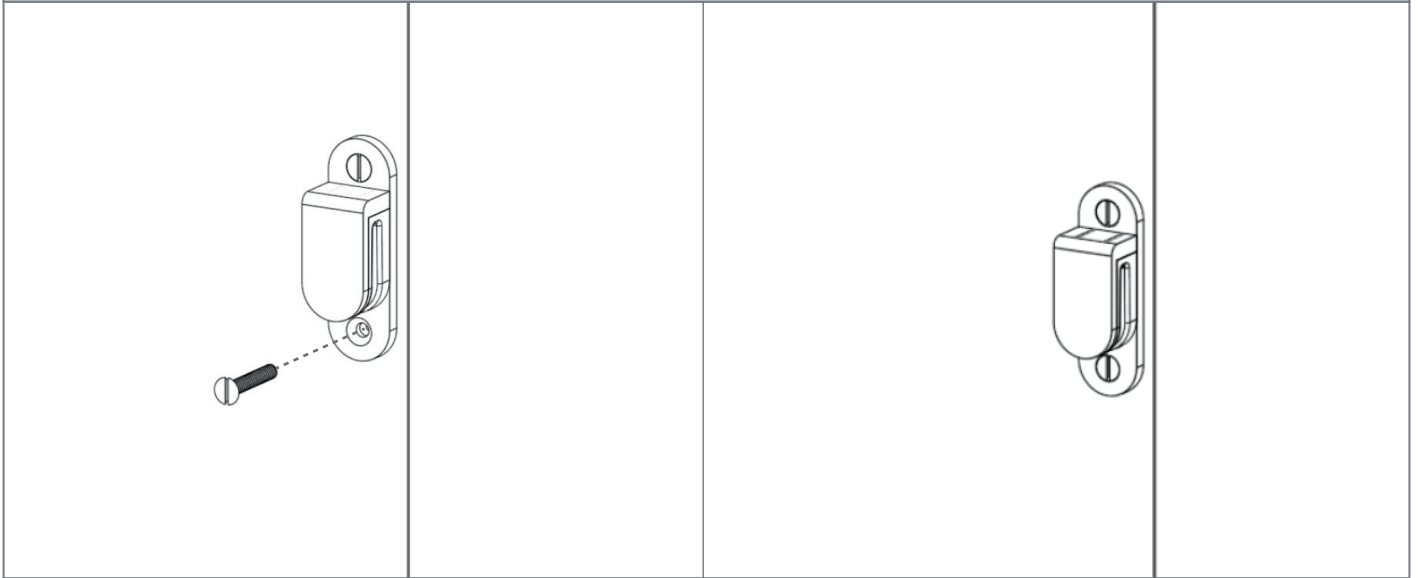


Repeat the previous steps with the Southbank handle making sure that the back plates of each part line up for a good fit.

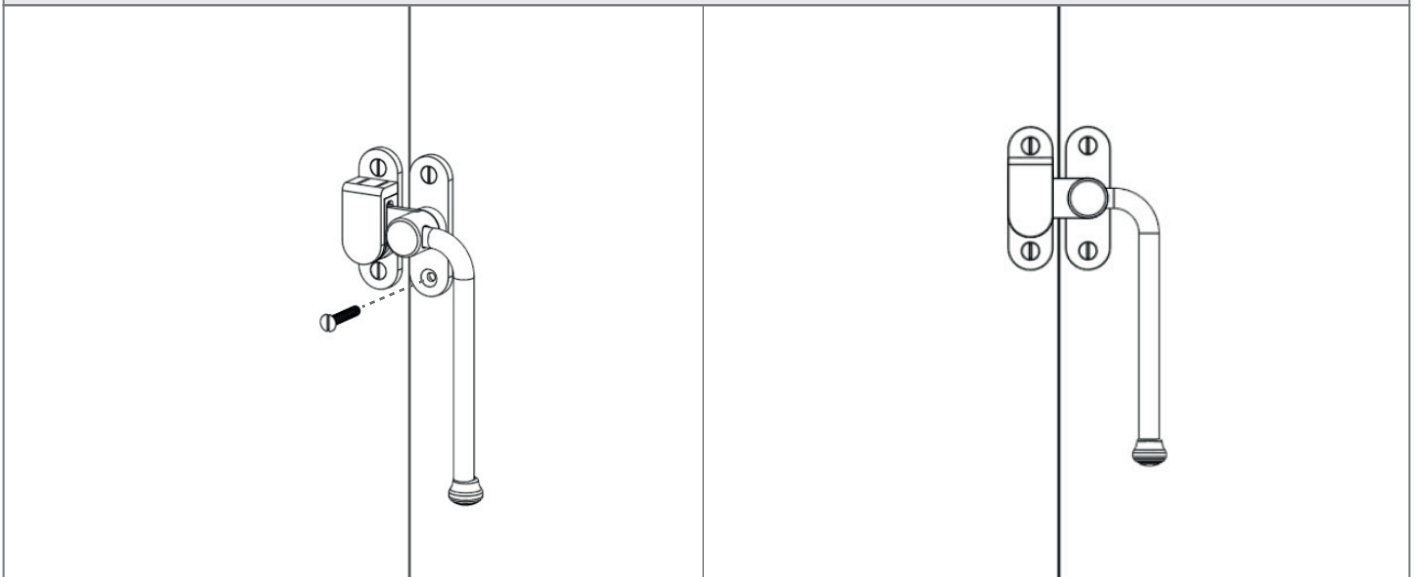


Southbank casement handle with hook instructions

Fasten the hook plate into place with the provided screws.



Repeat the previous steps with the Southbank handle making sure that the back plates of each part line up for a good fit.



Southbank casement window handle instructions

Fasten the handle in place with the supplied M5 screws.

