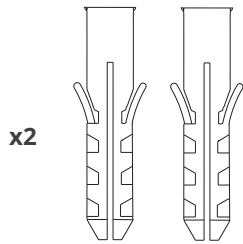


Bathroom Pull Switch

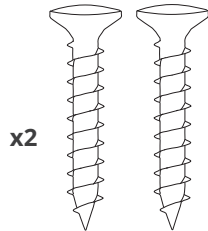
A light switch module, cover and handle designed for use in bathrooms and/or WC.

Included:



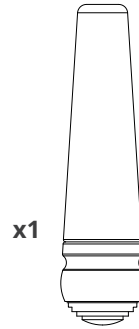
x2

Wall plug



x2

Mounting screw



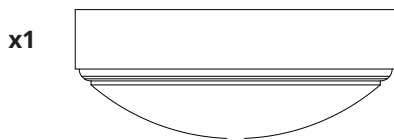
x1

Pull handle



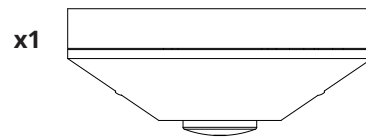
x1

Cord connector



x1

Brass cover

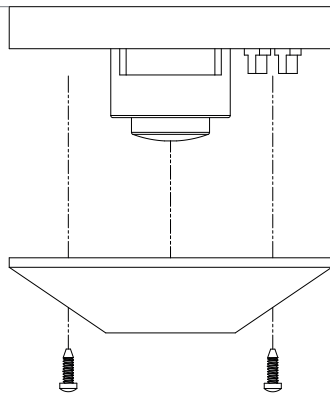


x1

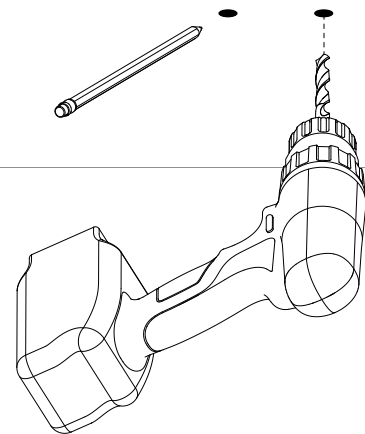
Module



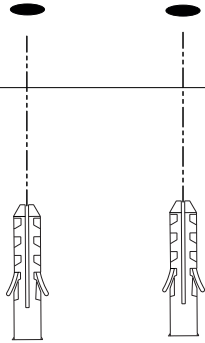
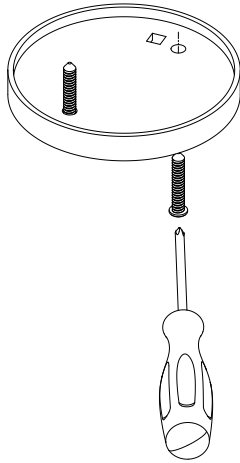
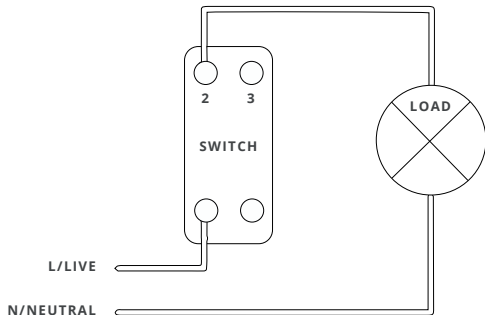
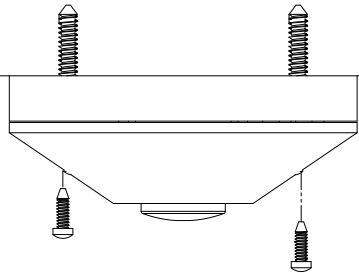
1. Remove terminal cover



2. Mark and drill holes for fixing plugs



Bathroom Pull Switch

<p>3. Install the plugs</p>	<p>4. Fasten the base to the ceiling with the fixings provided</p>
	
<p>5. Wire in the switch following Corston wiring diagrams</p>	<p>6. Re-attach the terminal cover to the base</p>
	
<p>7. Thread the brass cover over the switch module</p>	<p>8.</p>
