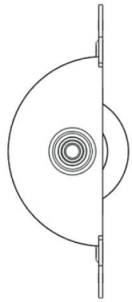


## Belmont sash pulley instructions

### Contents



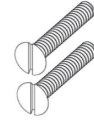
Pulley Body



Face Plate

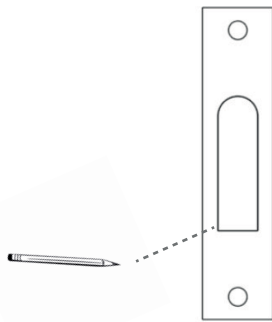


X2 Face  
Plate Screws

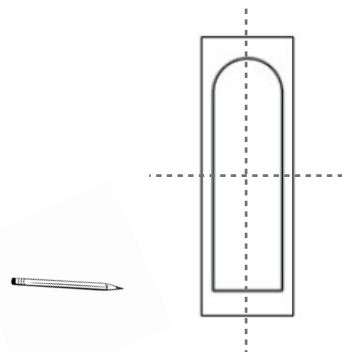


X2 4mm  
Wood Screws

Use the face plate to mark the pulley position on the window frame with a pencil.

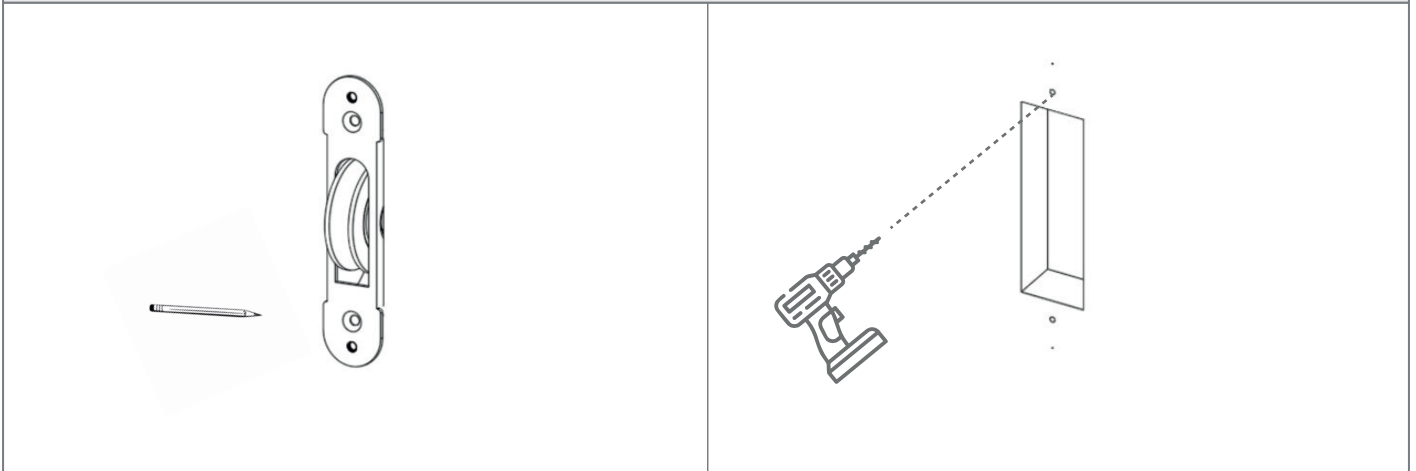


Find the centre point and mark out a H67mm x W22mm rectangle. Use these markings to make a 40mm deep cavity to house the pulley body.

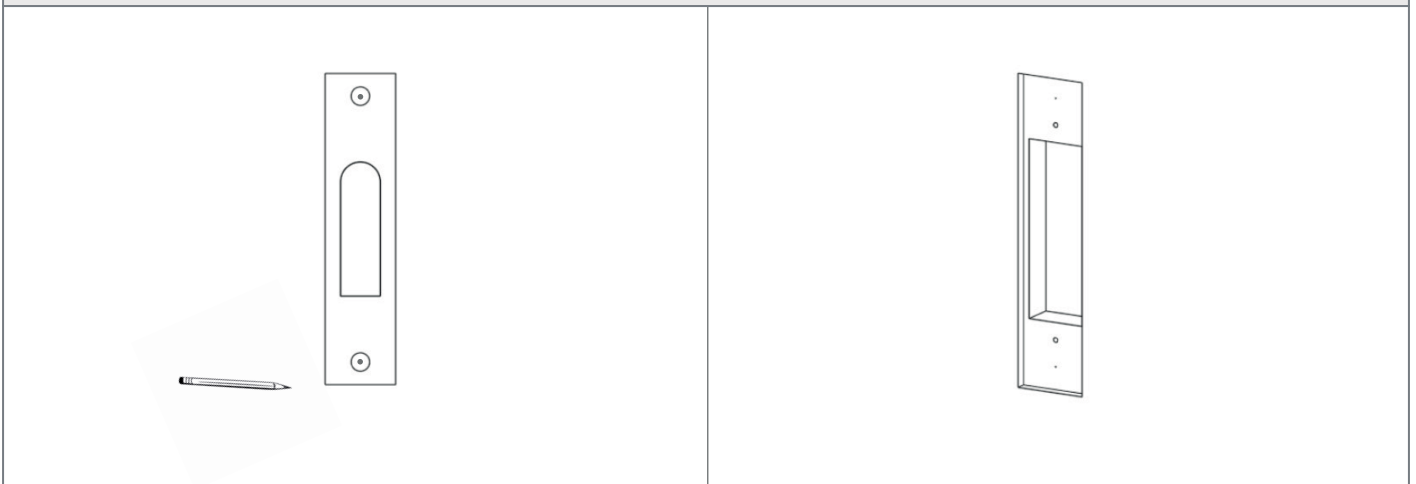


## Belmont sash pulley instructions

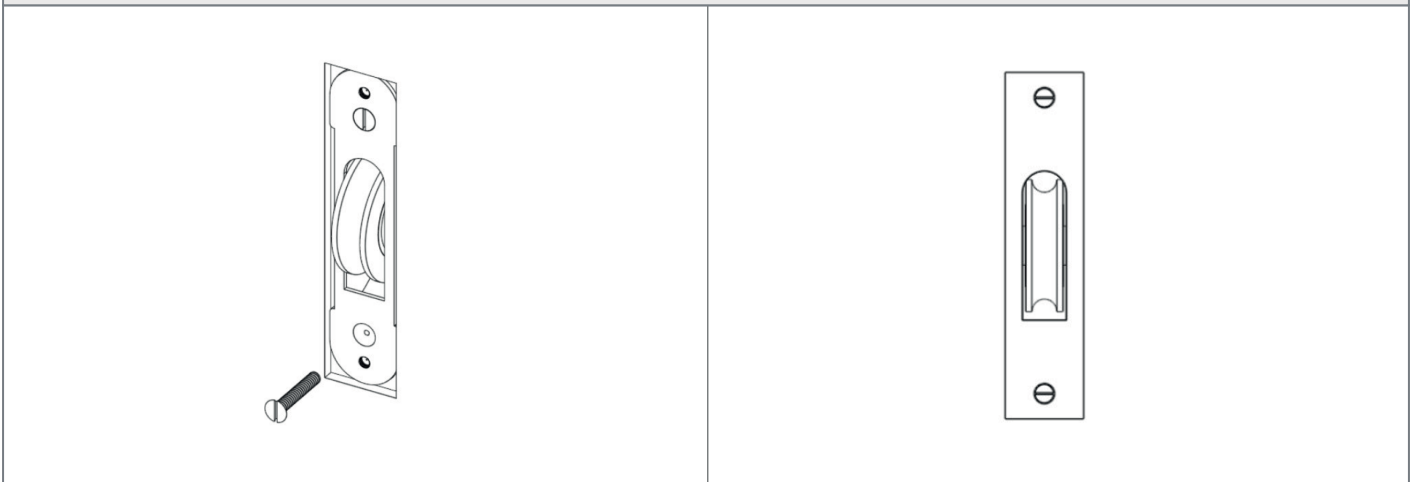
Push the pulley body into the cavity and mark all 4 holes with a pencil. Drill pilot holes in the frame for the centre points closest to the cavity.



Line the face plate up with the outward most holes and draw a line around the edge. Use this rectangle as a template to recess the plate 4mm into the frame.

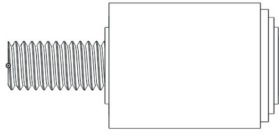


Use the supplied wood screws to install the pulley body before using the front plate screws to install the face plate.

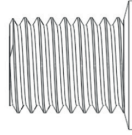


### Belmont sash stop instructions

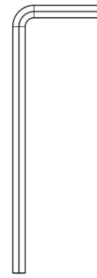
#### Contents



X2 Belmont sash stop

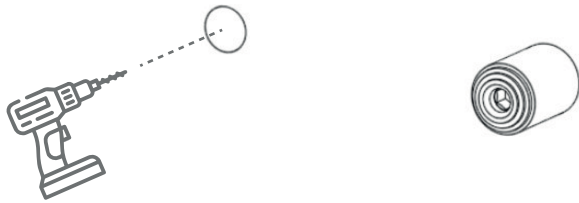


X2 Threaded wood insert



Hex key

Mark the position of the stop on the window before drilling a 13mm deep cavity with a 10mm drill bit for the threaded insert.



Install the threaded insert using a 6mm hex key.



Use the hex key provided install the stop to the window.

