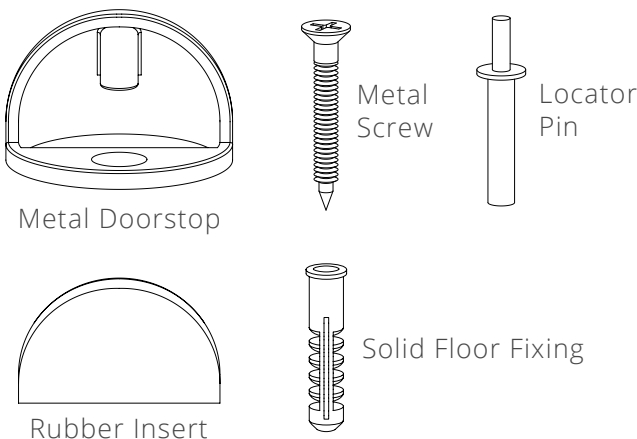
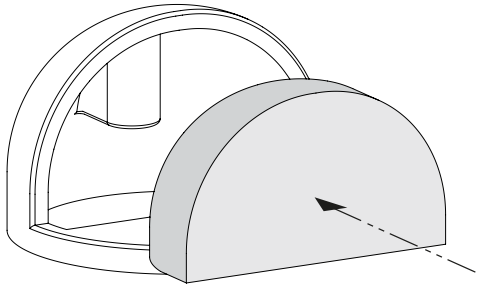
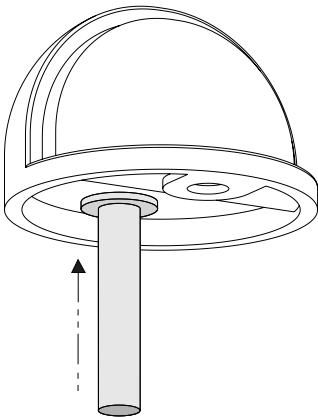
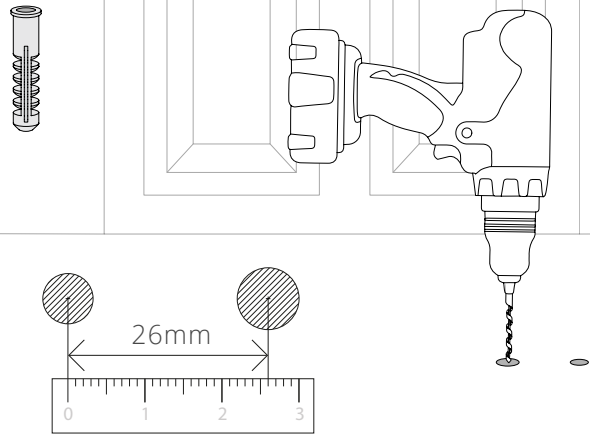
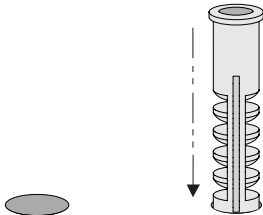
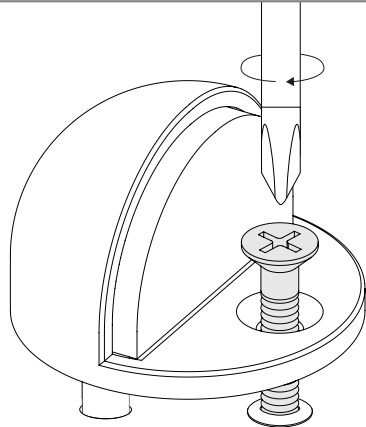
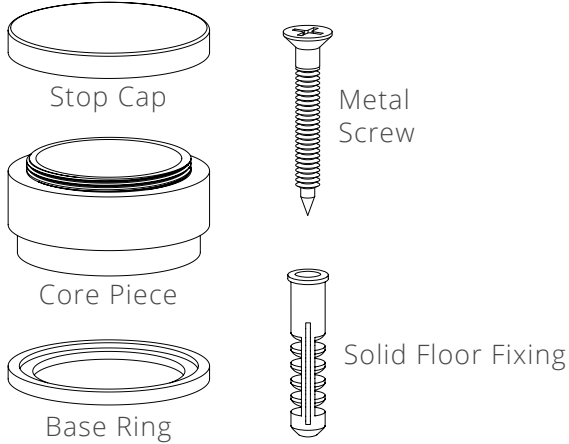
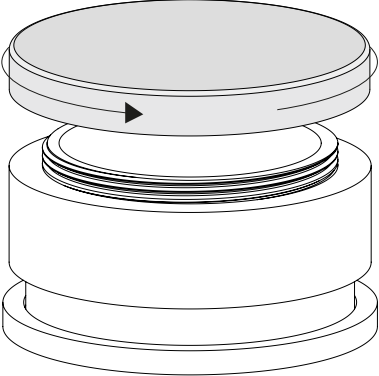
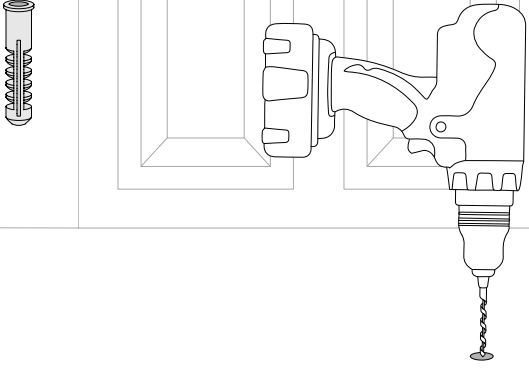
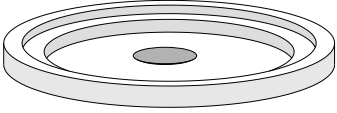
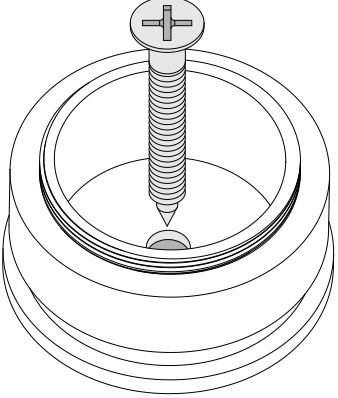
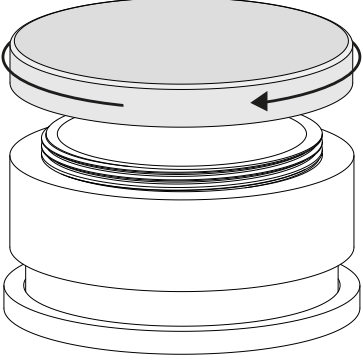


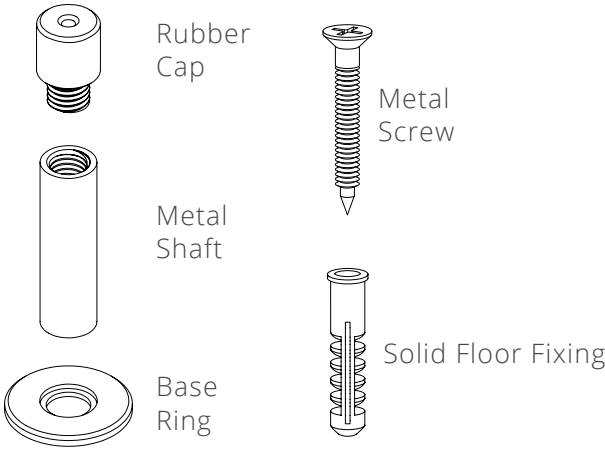
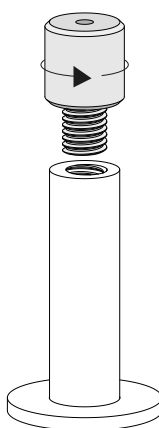
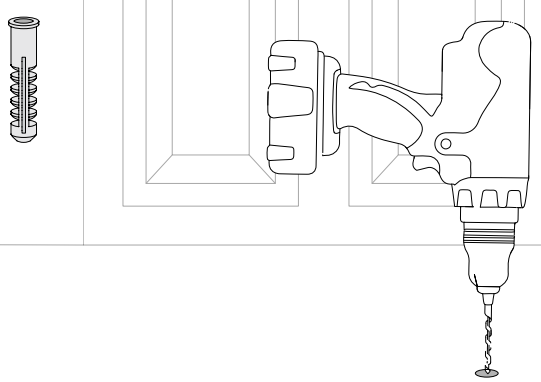
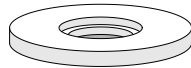
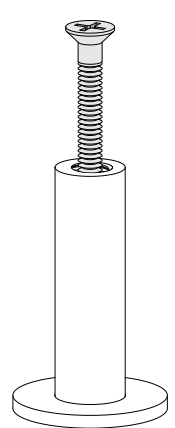
## Half Moon Doorstop Instructions

Inside the Box	1. Insert the rubber insert
 <p>Metal Doorstop</p> <p>Rubber Insert</p> <p>Metal Screw</p> <p>Locator Pin</p> <p>Solid Floor Fixing</p>	
2. Insert the locator pin	3. Drill holes 26mm apart
	 <p>26mm</p>
4. Insert the plastic screw fixing	5. Locate doorstop and fasten screw
 <p>If installing into solid stone or concrete</p>	

## Seymour Doorstop Instructions

Inside the Box	1. Unscrew the doorstop cap
 <p>Stop Cap</p> <p>Core Piece</p> <p>Base Ring</p> <p>Metal Screw</p> <p>Solid Floor Fixing</p>	
2. Drill 8mm hole if using fixing plug	3. Place base ring over the hole
 <p>If installing into solid stone or concrete</p>	
4. Position doorstop core and screw in	5. Screw on the doorstop cap
	

**Montpelier Doorstop Instructions**

<p><b>Inside the Box</b></p>  <p>Rubber Cap</p> <p>Metal Shaft</p> <p>Base Ring</p> <p>Metal Screw</p> <p>Solid Floor Fixing</p>	<p><b>1. Unscrew the rubber cap</b></p> 
<p><b>2. Drill 8mm hole if using fixing plug</b></p>  <p>If installing into solid stone or concrete</p>	<p><b>3. Place base ring over the hole</b></p> 
<p><b>4. Position the shaft and screw in</b></p> 	<p><b>5. Screw on the rubber cap</b></p> 