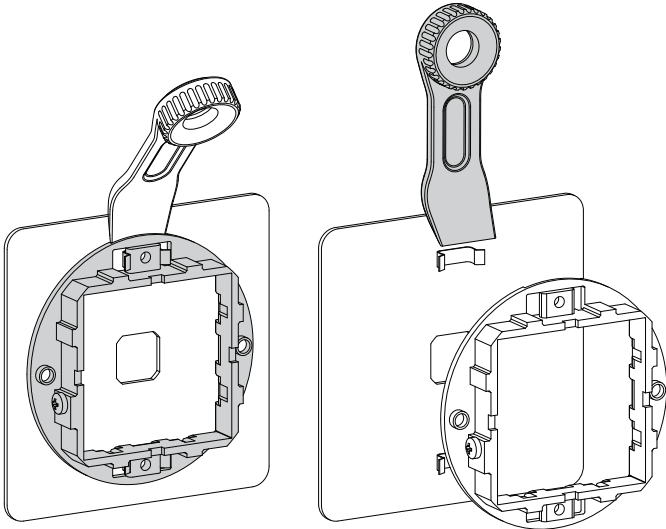


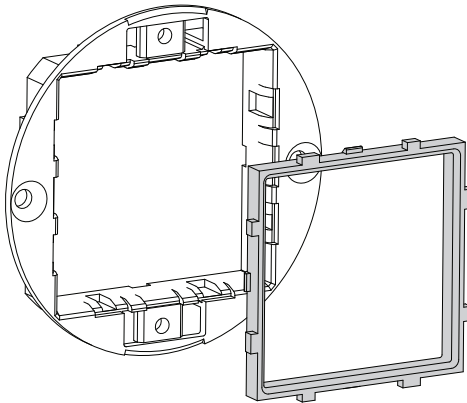
Switch Installation Instructions

Isolate the power supply at the consumer unit circuit breaker. Verify that the power is off. These products must be installed in accordance with the latest building regulations. If in any doubt, please contact a qualified electrician.



Removing the Chassis

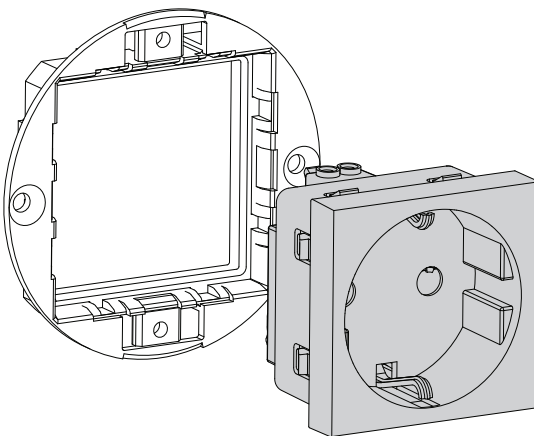
Use the toggle ring tool provided to pry the chassis away from the front plate.



Installing Power Modules

First, install the plastic adaptor plate into the metal chassis.

Do not attach plastic adaptor plate to power module first.



Secondly, install the power module into the metal chassis.

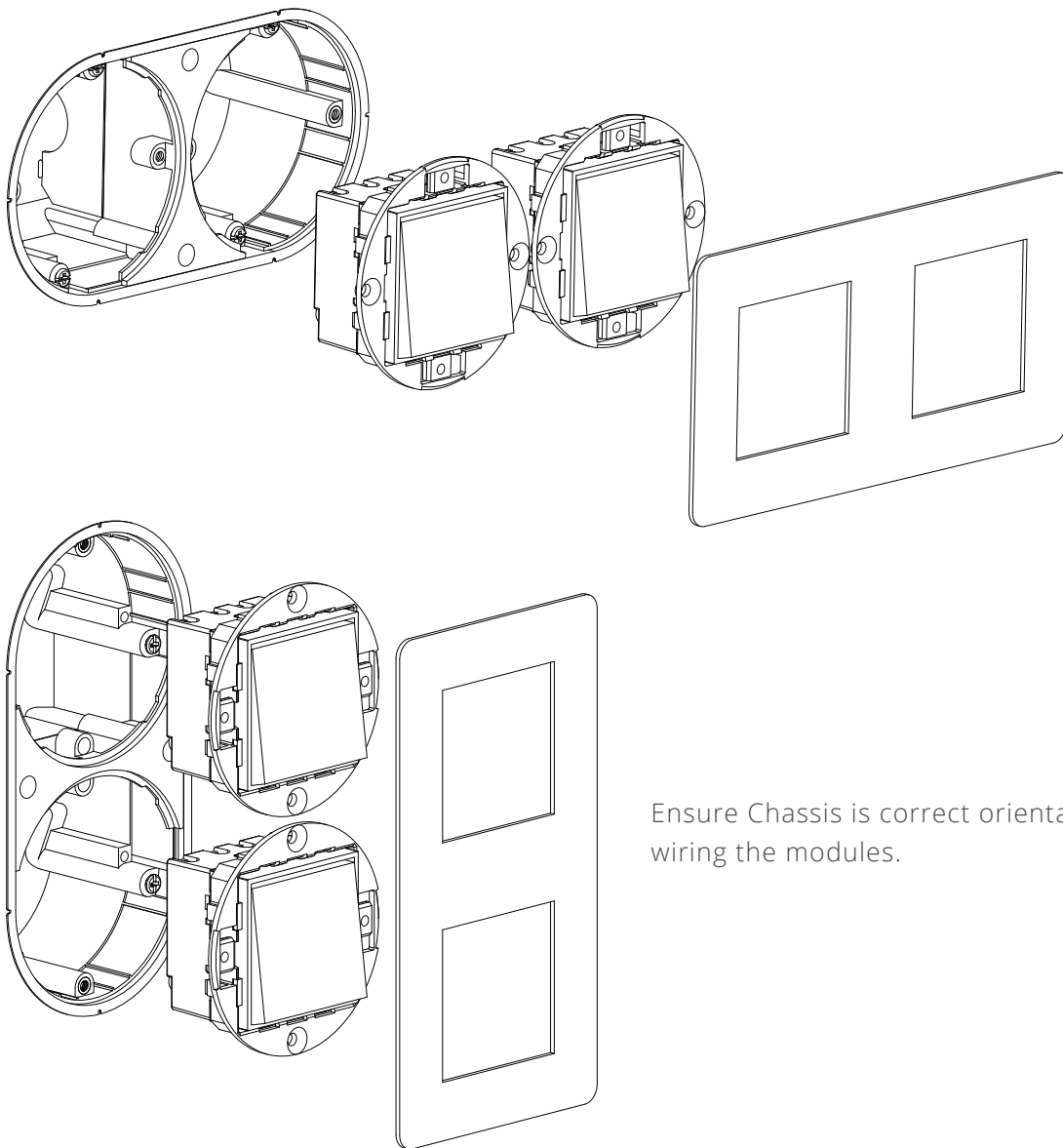
Vertical Switch Installation Instructions

Isolate the power supply at the consumer unit circuit breaker. Verify that the power is off. These products must be installed in accordance with the latest building regulations. If in any doubt, please contact a qualified electrician.

Before Fitting

Avoid fitting electrical fittings to wet plaster or paint. For best results, the wall surface around the mounting box should be fully finished and in excellent condition.

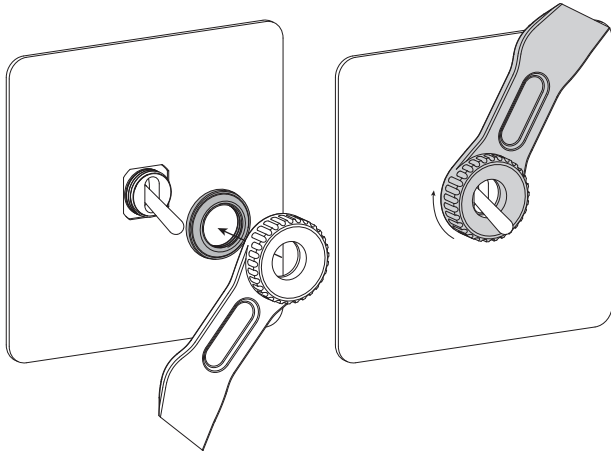
Corston Backboxes must be used for the electrical.



Ensure Chassis is correct orientation before wiring the modules.

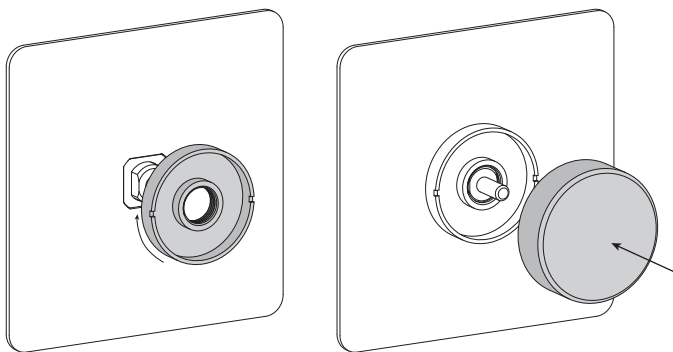
Switch Installation Instructions

Isolate the power supply at the consumer unit circuit breaker. Verify that the power is off. These products must be installed in accordance with the latest building regulations. If in any doubt, please contact a qualified electrician.



Toggle Switches

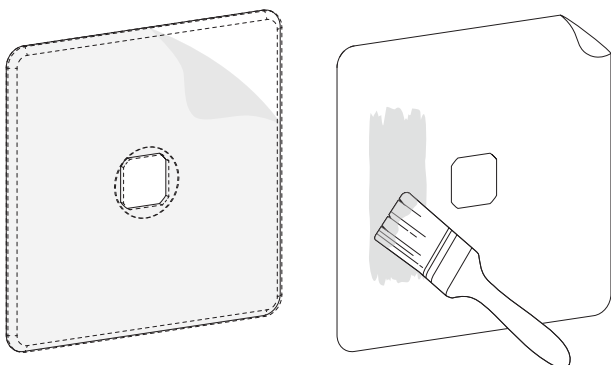
Use the toggle ring tool provided to tighten the metal retaining toggle ring.



Dimmer Switches

Pull the dimmer knob off and unscrew the ring by hand or gently with a screwdriver.

When reassembling, align the flat edge of the dimmer stalk with the knob.



Clear Switches

Remove plastic backing from plate.

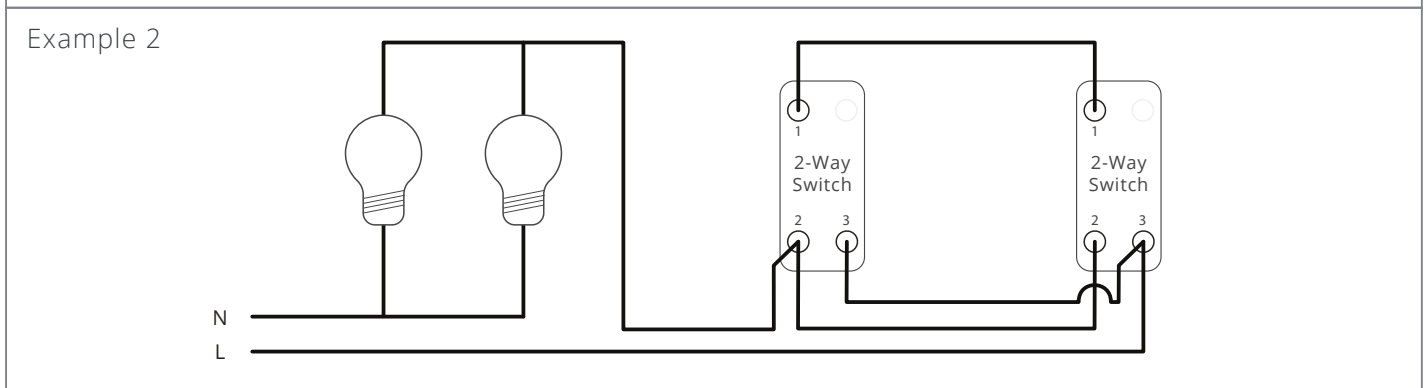
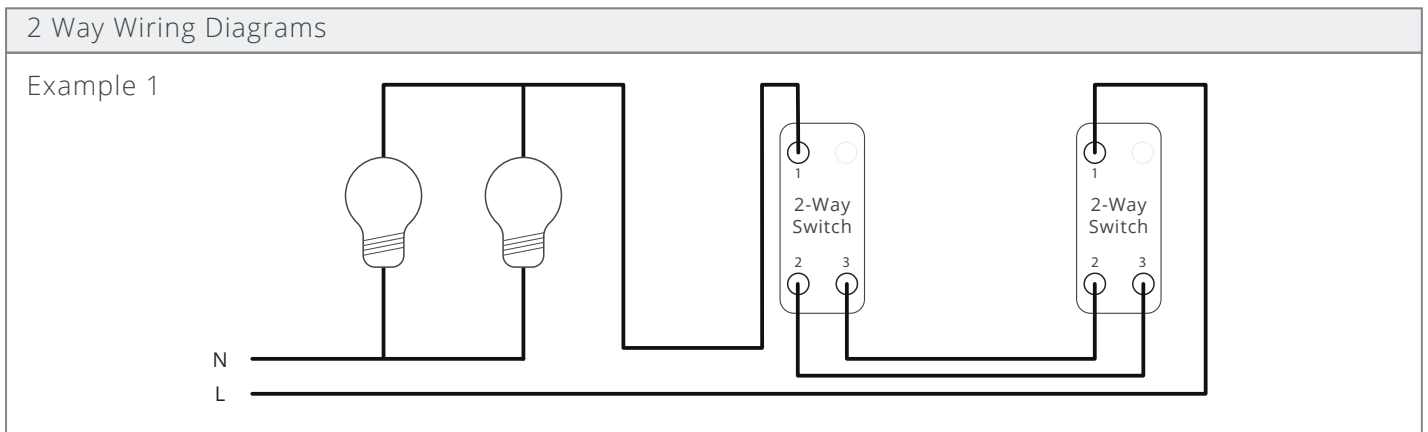
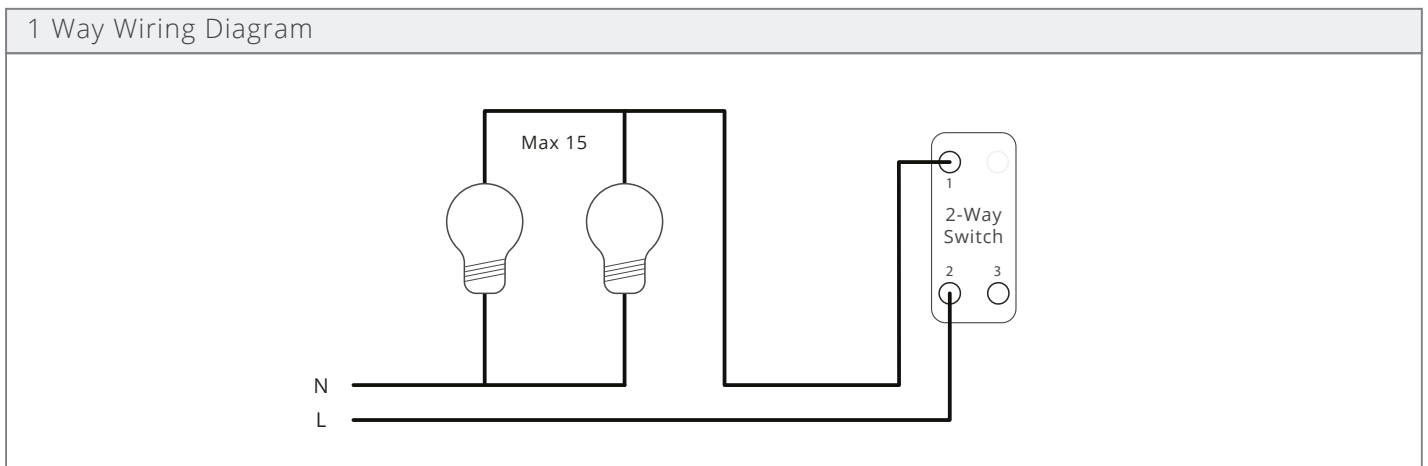
Cover paper template with wallpaper or two coats of paint.

Place behind perspex before installation.

Wiring Diagrams

Isolate the power supply at the consumer unit circuit breaker. Verify that the power is off. These products must be installed in accordance with the latest building regulations. If in any doubt, please contact a qualified electrician.

Connect the wiring as shown in the diagrams below for each type of installation. When finished, there should be no exposed wire. The connections should be secure and tight. Earth sheathing should be used on any exposed earth wire. The switch assembly should push back into the mounting box without forcing or trapping any wires.

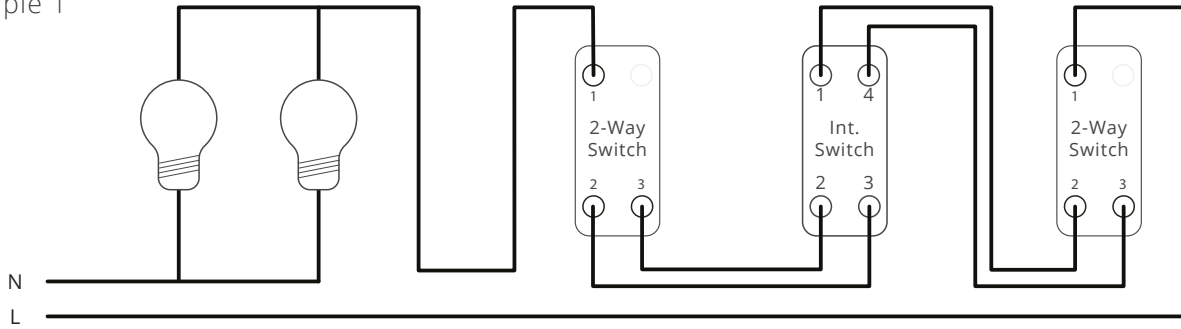


Wiring Diagrams

Isolate the power supply at the consumer unit circuit breaker. Verify that the power is off. These products must be installed in accordance with the latest building regulations. If in any doubt, please contact a qualified electrician.

3 Way Wiring Diagrams

Example 1



Example 2

