

Corston In-Line Dimmer Module

The Corston In-Line dimmer module uses electronics to control the dimming of LED's and incandescent bulbs. It allows toggles alone to dim lights, keeping the toggle faceplate consistent throughout the property.

The dimmer has a memory function so the lights turn on at the same brightness as they were last used. The dimmer has trailing edge and leading edge modes which maximises the bulbs life. The module can be used with our retractive or centre retractive switches. To change the settings of the dimmer the dip switches must be correctly set prior to installation.

Features

- Suitable for 1-way or multi-way full digital dimming and switching
- Minimum circuit load down to 2W, including dimmable LED and incandescent lighting.
- Trailing (TE) and Leading (LE) edge operation
- Soft-start operation, to extend bulb life
- Programmable Minimum Brightness
- Built-in thermal cut-off and short circuit protection
- Complies with IEC EN60669
- Can be used with Centre Retractive as well as Retractive Switches
- Multiple Modules can combine to increase total load per circuit for higher wattage circuits

Setting the Minimum Brightness

This is important to prevent LED bulbs from flickering at very low levels. With the lamp OFF, Press and hold Toggle for 3-5 seconds. It will then appear at half brightness. Release the toggle and set the desired minimum level. Press the toggle, turning Lamp off, to save the setting.

Mode Setting

There are two dip switches on the module which control the type of toggle used and the dimming mode of the module. These should be set prior to installation.

- 1 - KEY BUTTON = Retractive Toggle
- 2 - KEY BUTTON = Centre Retractive Toggle
- TE MODE = Trailing Edge Mode
- LE MODE = Leading Edge Mode



Corston In-Line Dimmer Module

Warning & Installation information

Electric shock hazard. Hazardous voltage maybe present at the output of the dimmer despite setting the dimmer to zero brightness level. Look out and tag the input circuit before accessing the wiring connections. Failure to follow this warning can result in death or serious injury.

The dimmer should be protected by a 6A or up to 16A maximum circuit breaker.

The Dimmer must always be connected to the Live side of the load.

The in line dimmer module can be connected to up to a maximum of 20 retractive or centre retractive toggles. Modules can be wired to increase maximum circuit output. Each module has a max output of 200W.







Multiple compatible loads can be used as long as the total lamp wattage does not exceed the maximum load rating of the in line dimmer module.

When connected with steel-core transformers, Only Leading Edge mode (LE) should be used, TE mode cannot be used in this case

Some lamps may exhibit unexpected performance characteristics when cold. Dimming performance should improve after the lamp warms up. Or in the case where the lamp appears unstable, it could be changed between TE and LE.

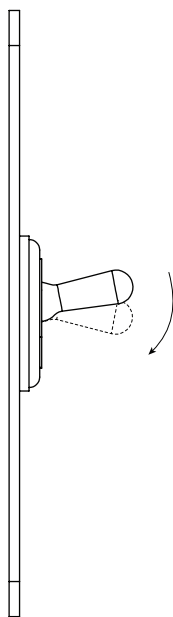
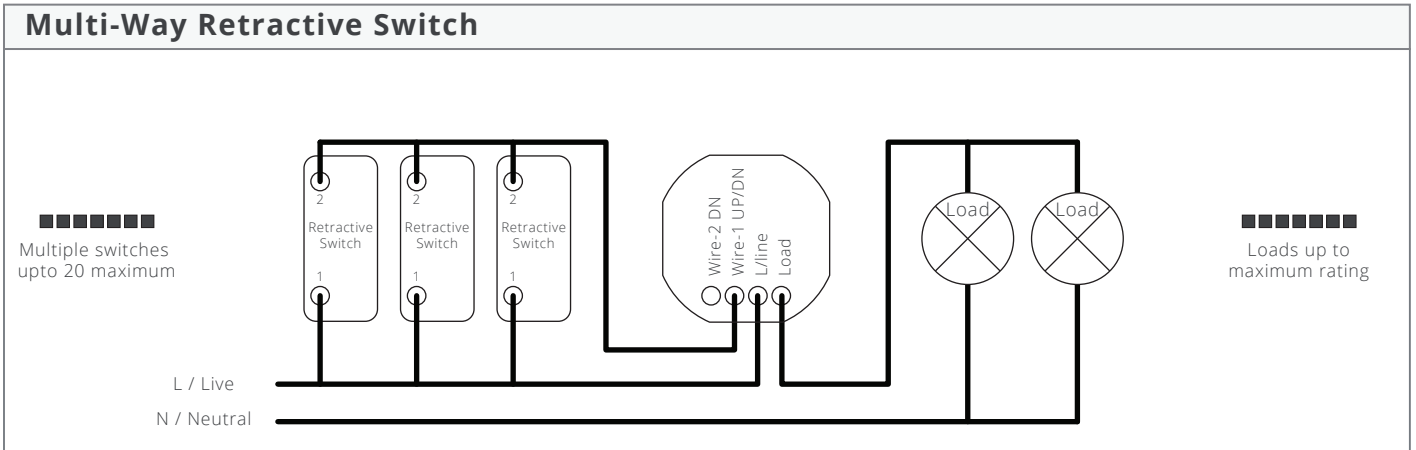
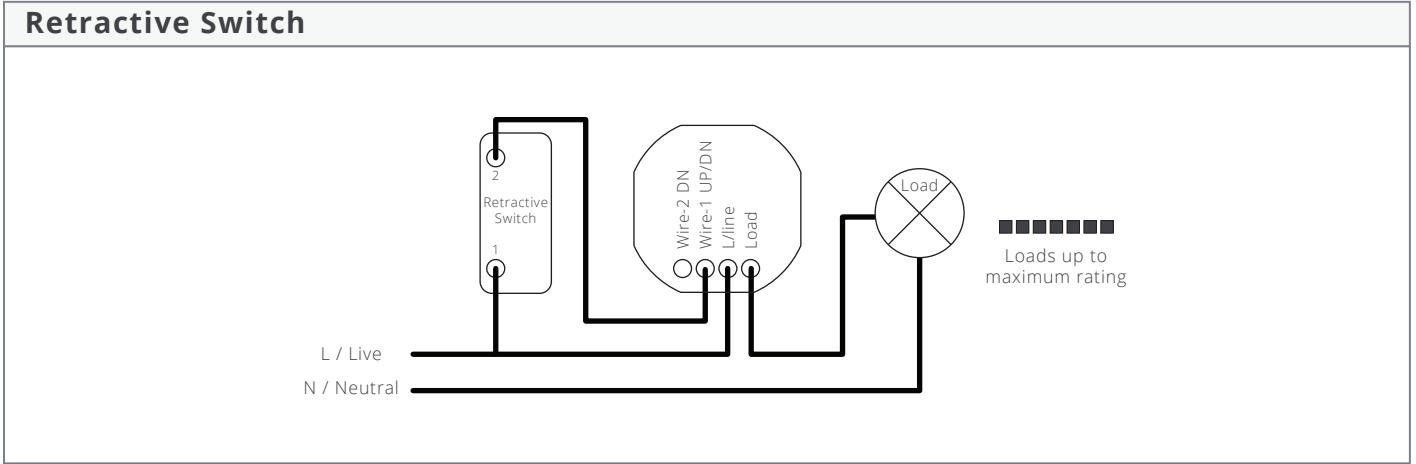
Multi-Gang De-rating

For applications where dimmers are multi-ganged, derate the maximum load rating of the unit according to the derating table show as below;

Parameter	Value
Supply voltage & Frequency	220-240V ~ 50Hz
Rating	10-300W: Incandescent lamps, high volatage halogen lamps and electrionic step-down converter for extra low-voltage incandescent lamps. 2-300W: Dimmable LED lamps.
Compatible loads for TE mode	   Dimmable LED lighting with compatible Electronic Transformers
	 Incandescent lighting, MV Halogen lamps
	 LV Halogen Lighting with electronic transformers
	 LV Halogen Lighting with Iron-core transformers
Operating Temperature	0° - 35°C
Operating Humidity	10 - 90% R.H.

Example Wiring for Corston In-Line Dimmer Switches

The Dimmer must always be connected to the Live side of the load. Each dimmer module has a maximum load 200W that can be connected to it.

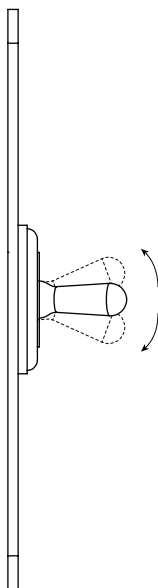
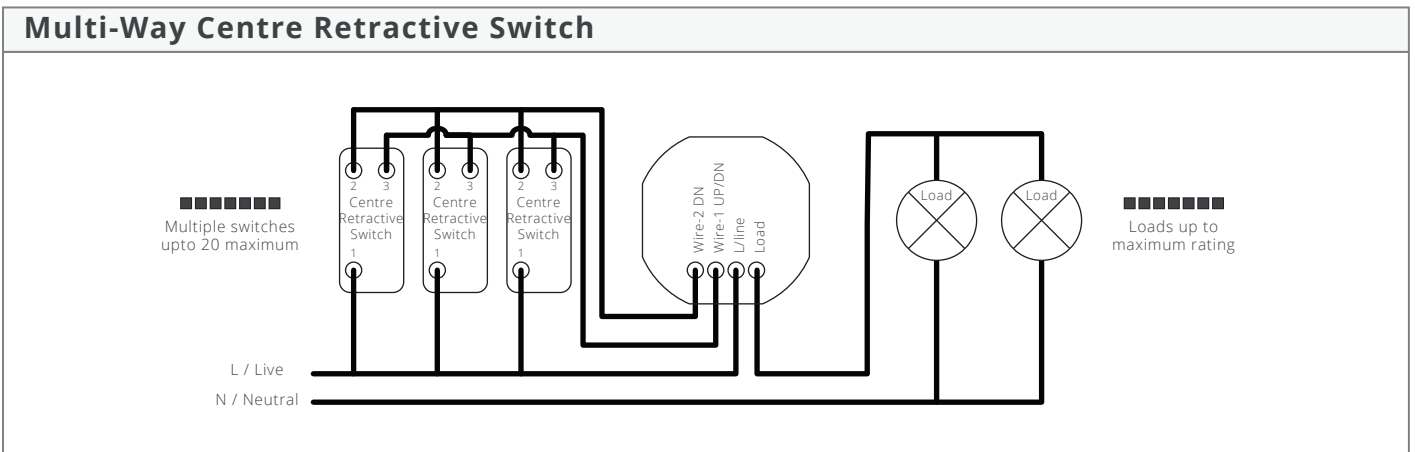
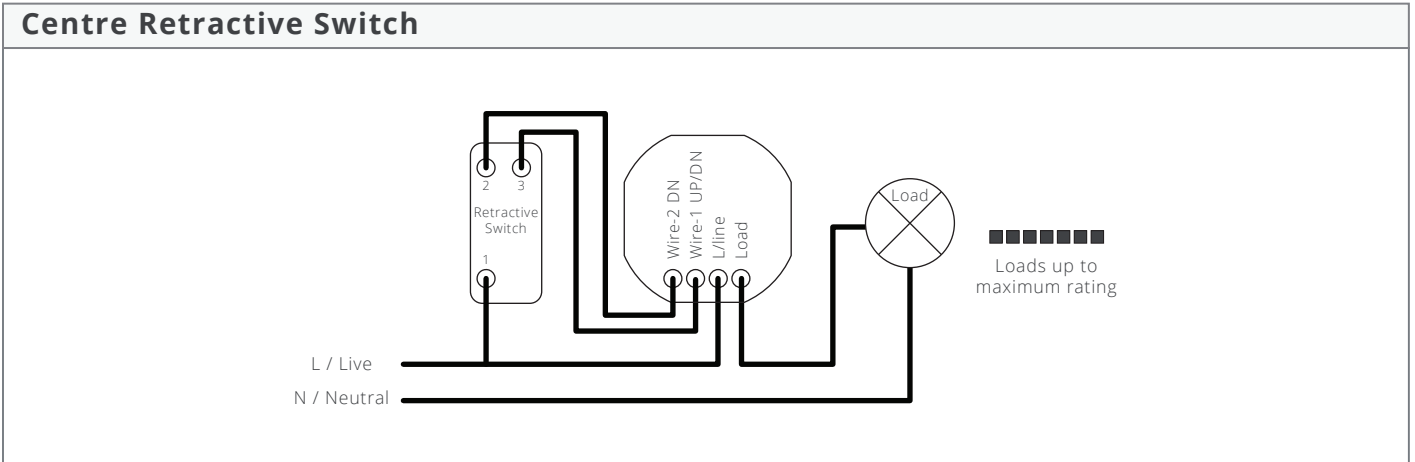


Short Press Down - On/Off
 Long Press Down - Brighter and Dimmer

(*Twin and Earth Cable between Switches)

Example Wiring for Corston In-Line Dimmer Switches

The Dimmer must always be connected to the Live side of the load. Each dimmer module has a maximum load 200W that can be connected to it.



Short Press Up - On/Off
Long Press Up - Brighter

Short Press Down - On/Off
Long Press Down - Dimmer

(*4 Core Cable between Switches)

Corston In-Line Dimmer Module

Previous wiring diagrams are examples of common installations. Consult an electrician if in any doubt. Multiple Retractive switches can be used with a Corston in line dimmer module on the same circuit. Two-way and intermediate switches cannot be used.

When finished there should be no exposed wire. The connections should be secure and tight. Earth sheathing should be used on any exposed earth wire. The switch assembly should push back into the mounting box without forcing or trapping any wires.

In Line Dimmer Troubleshooting

The Dimmer must always be connected to the Live side of the load. One circuit can have up to 20 units for UP/DOWN dim and ON/OFF function.

High Power Loads

One In Line Dimmer module can have a maximum output of up to 200W. However for instances where the load is higher multiple Dimmers can be installed to increase the maximum output per circuit. Each dimmer will add 200W to the circuit and must be connected directly to the loads with a common switch line. Detailed installation instructions are available on request.