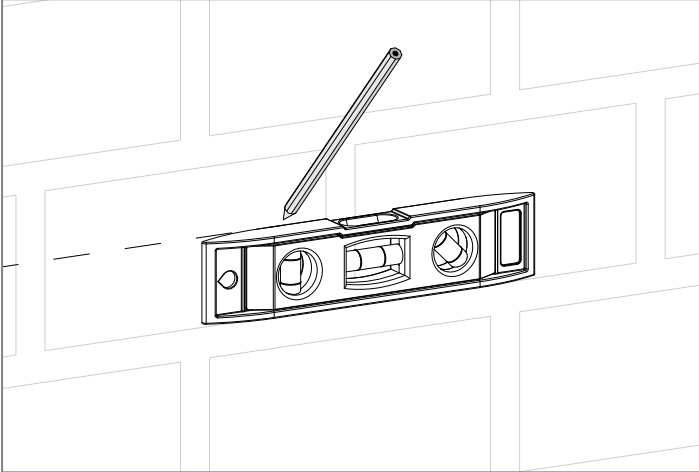
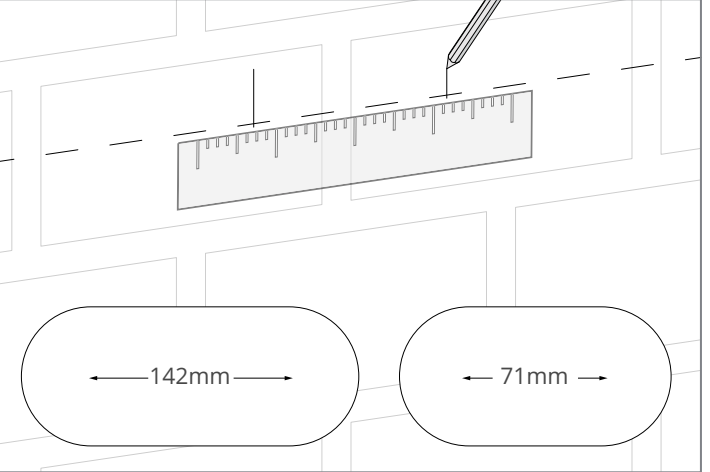


9mm Render Trim Fitting instructions

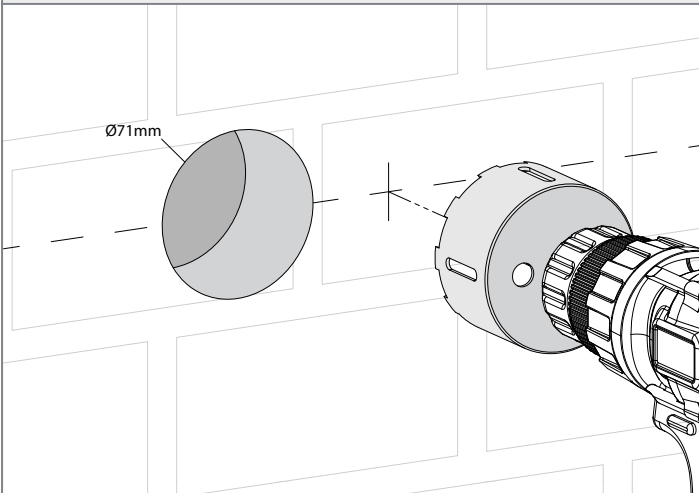
1. Draw a horizontal line on your wall, to help position your back box accurately



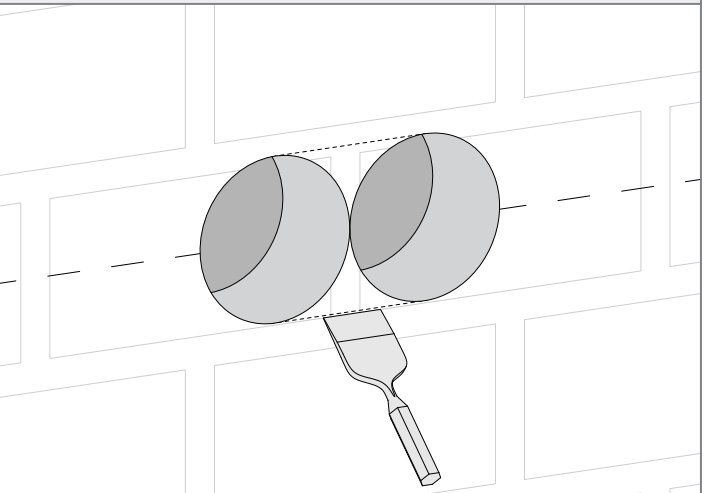
2. Use the back box to mark out hole distance



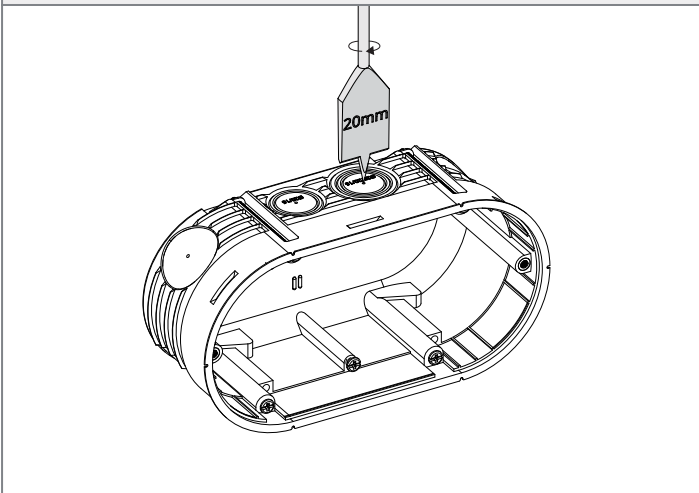
3. Drill 71mm holes using a Corston holesaw



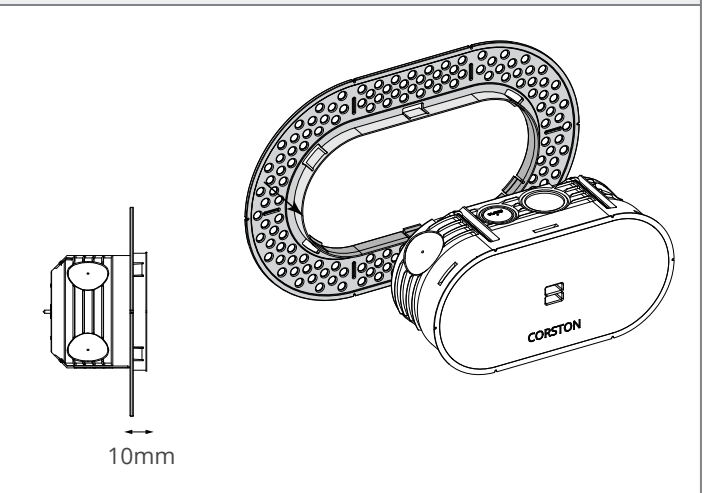
4. Chase out any excess wall



5. Drill conduit holes

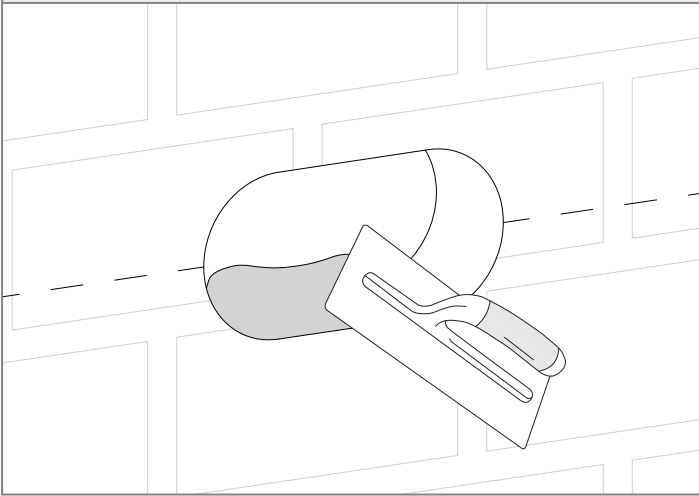


6. Install render trim to back box

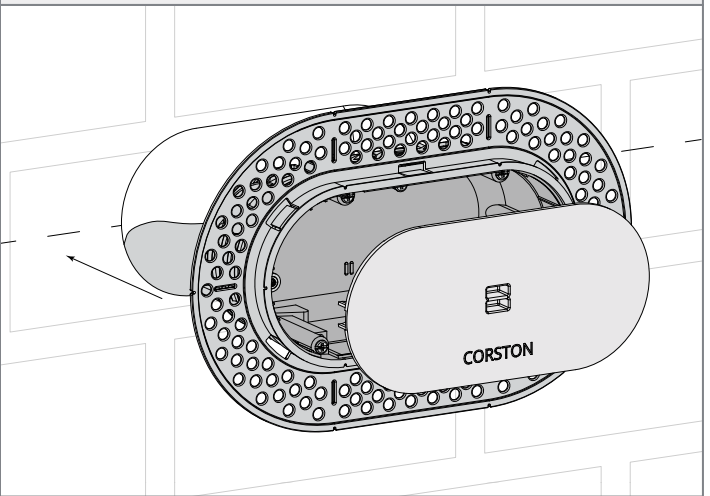


9mm Render Trim Fitting instructions

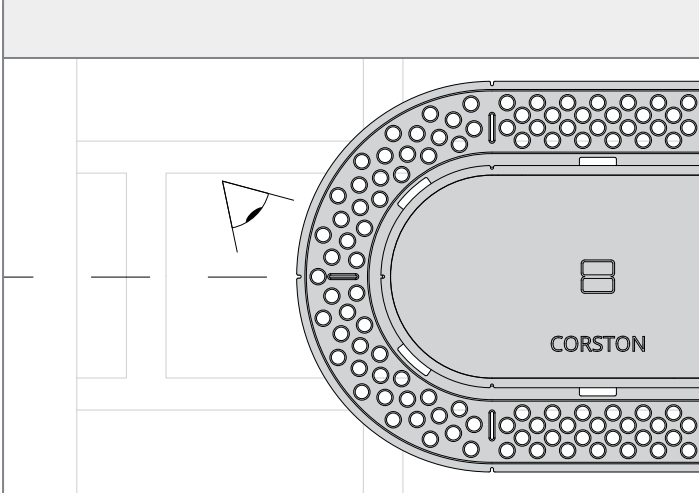
7. Apply adhesive into wall



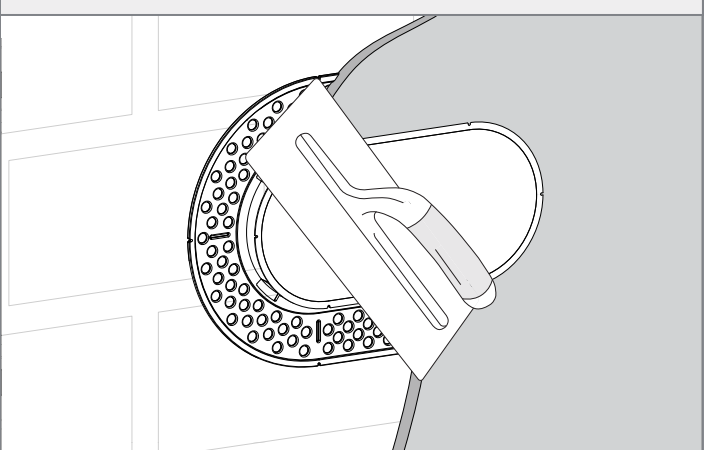
8. Install back box and render trim into wall



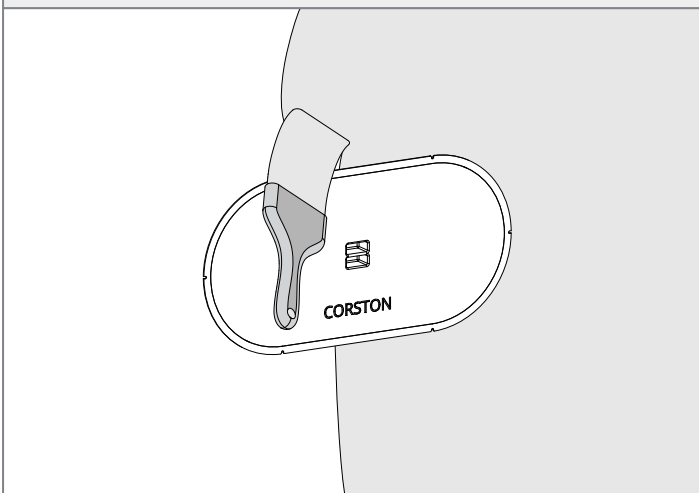
9. Ensure the back box has been installed level



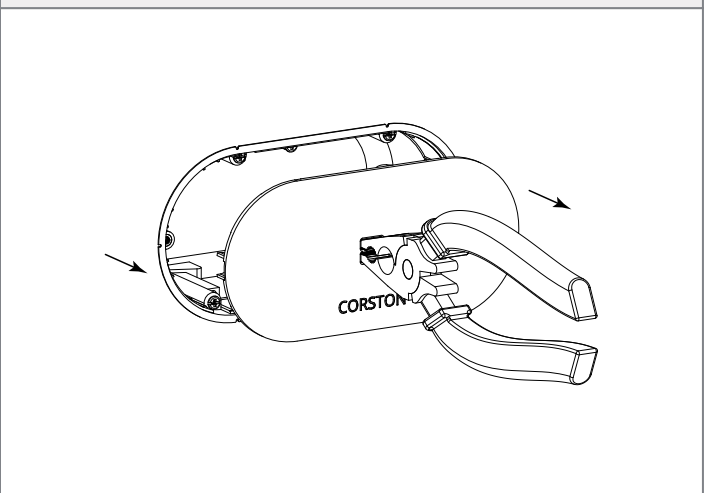
10. Render & plaster your wall, and ensure your back box is level



11. Paint wall

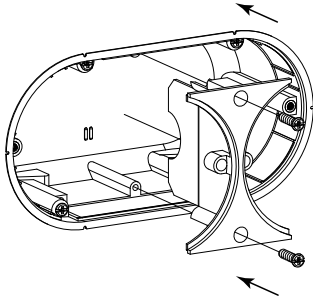


12. Remove back box cover

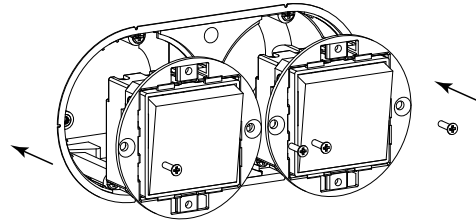


9mm Render Trim Fitting instructions

13. Install back box divider



14. Install chassis



15. Install front plate

