

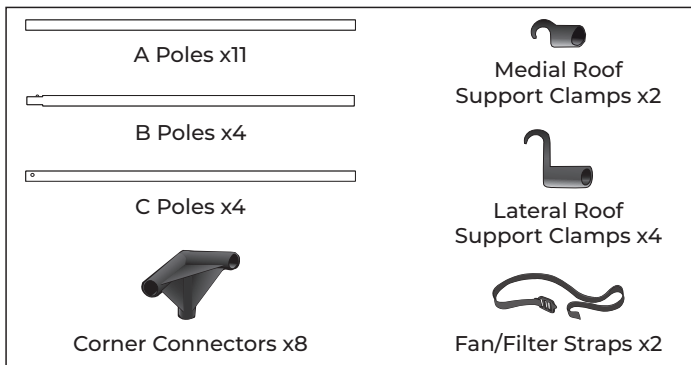


4'x4' Walden Grow Tent Installation Guide

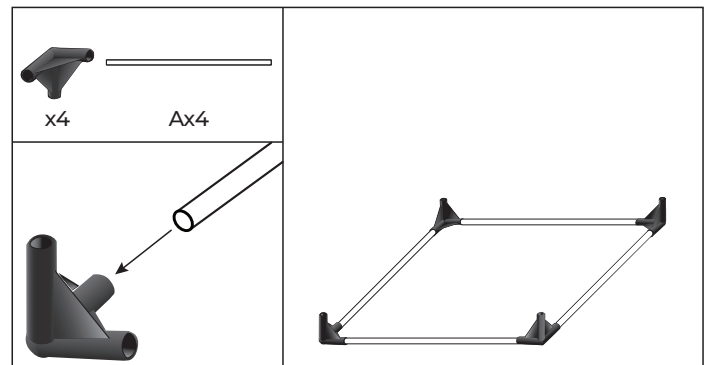
Important

- Read all product labels and instructions before assembling and installing the tent.
- Installation does not require any tools. Before assembling the tent, confirm that all pieces needed for installation have been included in the tent packaging.
- Contact Active Grow directly at info@activegrowled.com if any damaged or missing parts are discovered after opening the tent packaging.
- To avoid tearing or ripping the tent do not use excessive force when covering the frame with the tent fabric. Any damage to the frame or tent fabric during installation as a result of not following the installation instructions will void the warranty.
- Do not hang equipment exceeding 110 lbs on any poles.
- Do not use abrasive materials or any substance that can damage the tent fabric when cleaning the tent. Tent may be cleaned using soap and water or other standard hydroponic sanitizers.

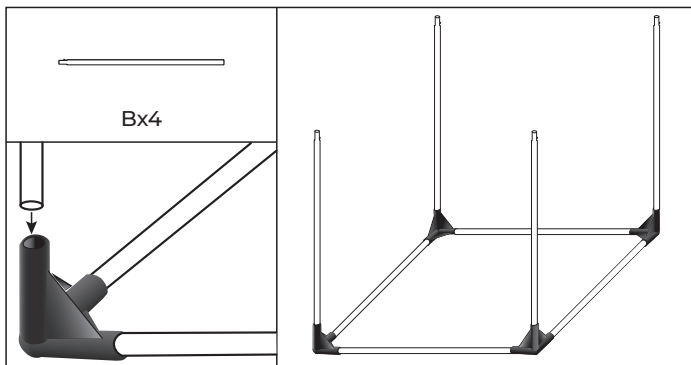
Tent Assembly Instructions



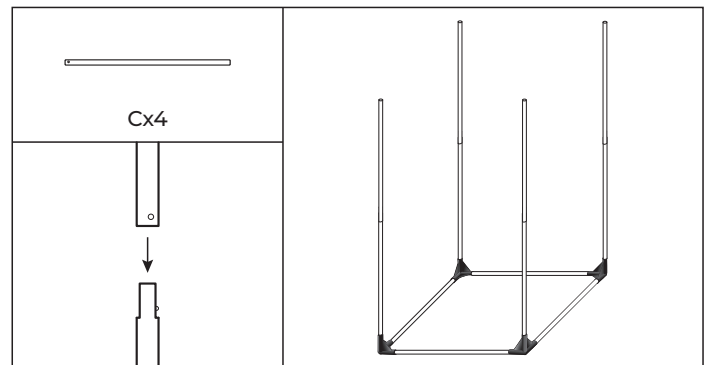
1. Before assembling the tent, confirm that all pieces needed for installation have been included in the tent packaging.



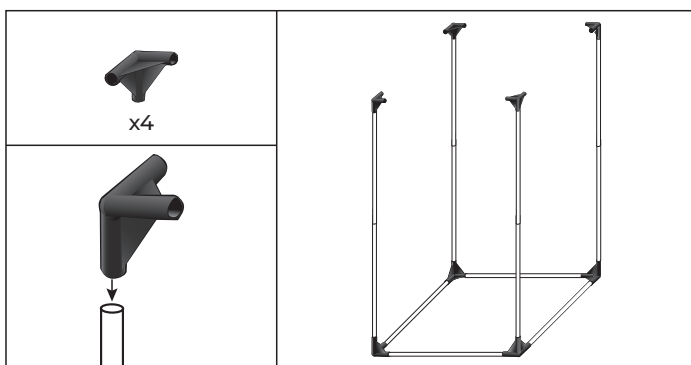
2. Build the bottom of the tent using Corner Connectors x4 and A Poles x4. Make sure tent poles are seated firmly in Corner Connectors after inserting.



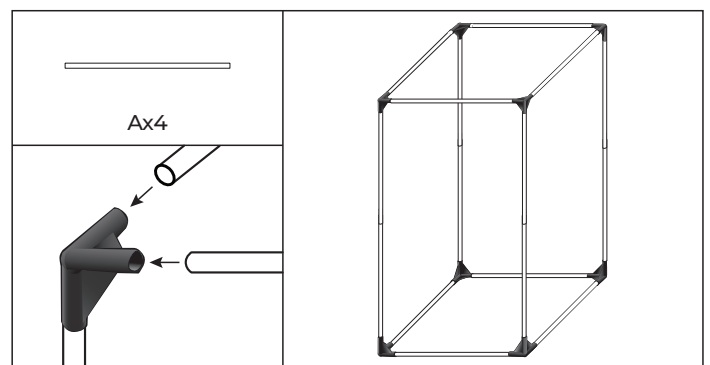
3. Slide B Poles x4 into existing Corner Connectors. Make sure tent poles are seated firmly in Corner Connectors after inserting.



4. Add another section of vertical poles using C Poles x4. Make sure the bearings on B Poles align correctly with the holes on C Poles and snap into place.



5. Slide Corner Connectors x4 on top of C Poles. Make sure tent poles are seated firmly in Corner Connectors after inserting.

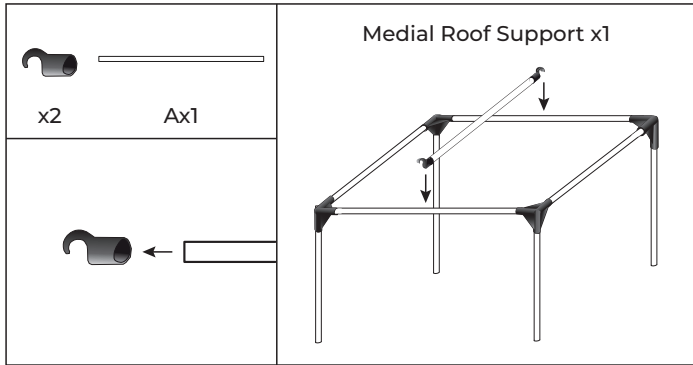


6. Start building the top of the tent using A Poles x4. Make sure the tent poles are seated firmly in Corner Connectors after inserting.

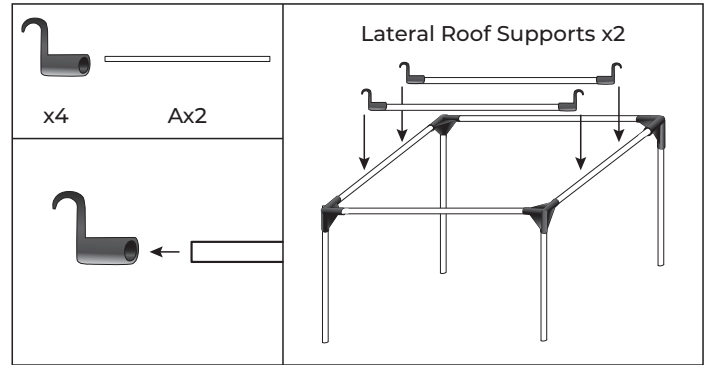


4'x4' Walden Grow Tent Installation Guide

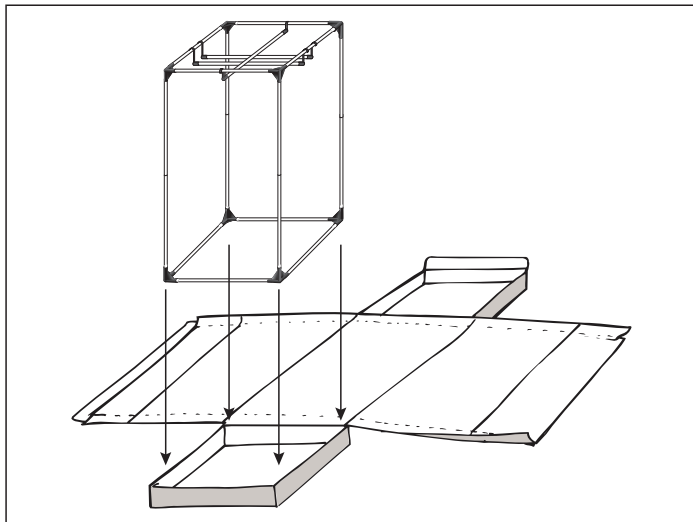
Tent Assembly Instructions (continued)



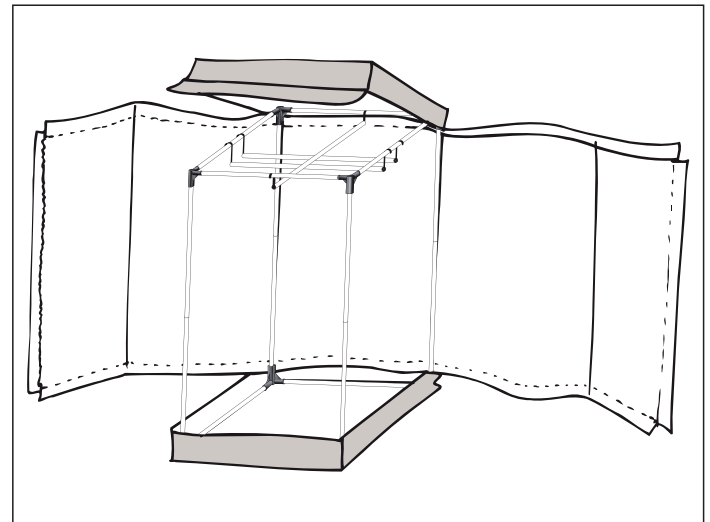
7. Create the Medial Roof Support by sliding the Medial Roof Support Clamps x2 onto the ends of A Pole x1. Attach it to the top of the tent frame in the center. Make sure the open part of the clamps face the floor when attaching the support.



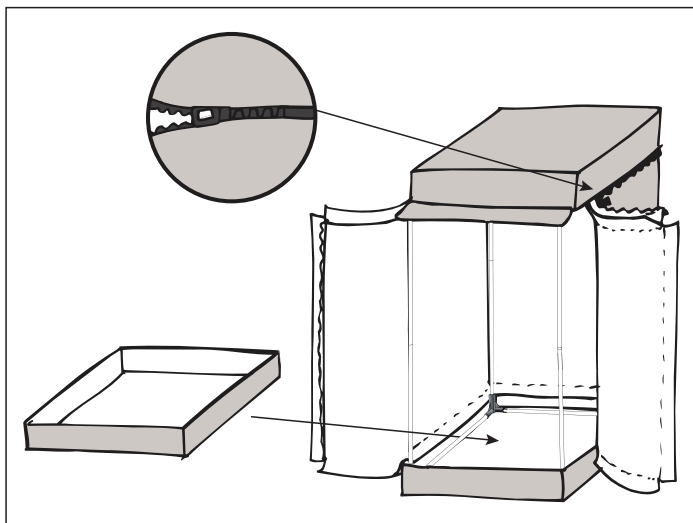
8. Create the Lateral Roof Supports by sliding the Lateral Roof Support Clamps x4 onto the ends of A Poles x2. Attach them to the top of the tent frame below the Medial Roof Support. Make sure the open part of the clamps face the floor when attaching the supports.



9. Unzip all zippers before covering the framing with the tent. Spread the tent on the ground and put the tent frame into the bottom of the tent covering.



10. Place the tent covering over the top of the tent frame and continue to wrap the sides and front of the frame. Note do not use excessive force when stretching the tent covering over the frame.



11. Zip all tent seams together and insert the spill tray into the bottom of the tent. Use the velcro straps on each corner of the spill tray to attach it to the tent's corner poles.