

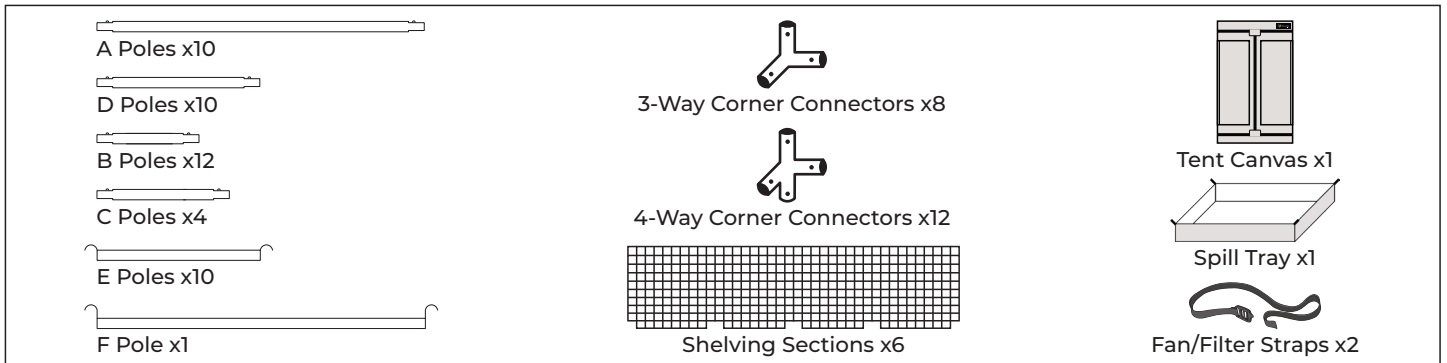


3-Tier Walden Grow Tent Installation Guide

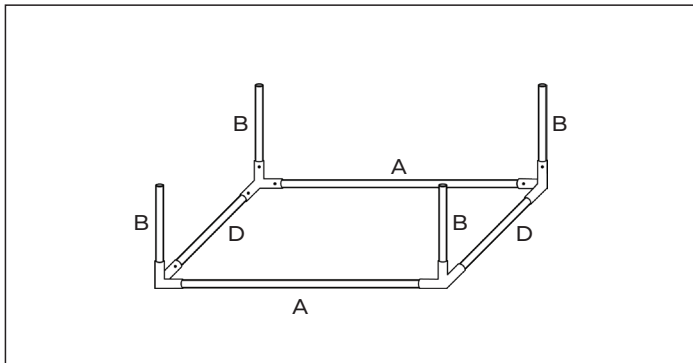
Important

- Read all product labels and instructions before assembling and installing the tent.
- Installation does not require any tools. Before assembling the tent, confirm that all pieces needed for installation have been included in the tent packaging.
- Contact Active Grow directly at info@activegrowled.com if any damaged or missing parts are discovered after opening the tent packaging.
- To avoid tearing or ripping the tent do not use excessive force when covering the frame with the tent fabric. Any damage to the frame or tent fabric during installation as a result of not following the installation instructions will void the warranty.
- Do not hang equipment >110 lbs on any pole. Do not place equipment >100 lbs on a single shelf.
- Do not use abrasive materials or any substance that can damage the tent fabric when cleaning the tent. Tent may be cleaned using soap and water or other standard hydroponic sanitizers.

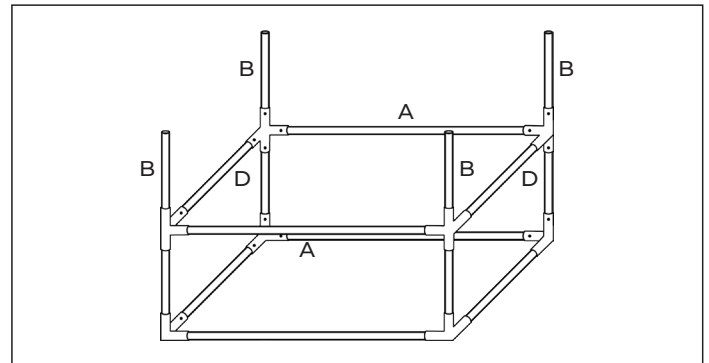
Tent Assembly Instructions



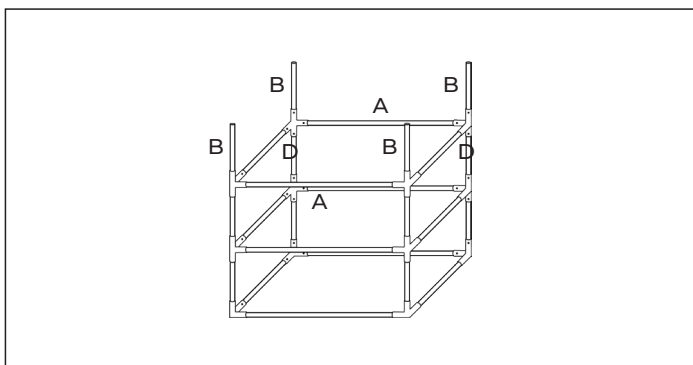
1. Before assembling the tent, confirm that all pieces needed for installation have been included in the tent packaging.



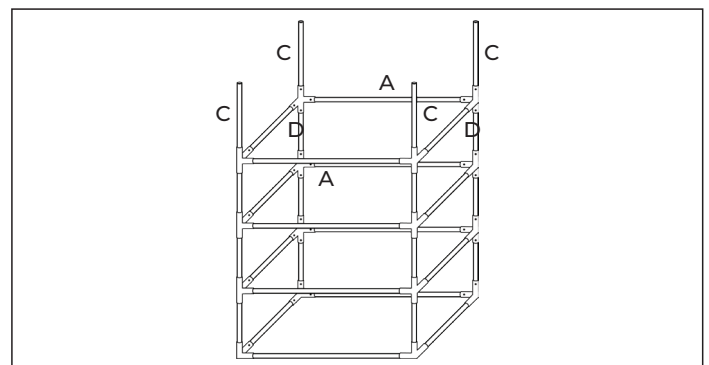
2. Build the bottom of the tent using 3-Way Corner Connectors x4, A Poles x2, D Poles x2 and B Poles x4. Make sure tent poles are locked firmly in Corner Connectors after inserting.



3. Build the bottom shelf frame using 4-Way Corner Connectors x4, A Poles x2, D Poles x2 and B Poles x4. Make sure tent poles are locked firmly in Corner Connectors after inserting.



4. Build the middle shelf frame using 4-Way Corner Connectors x4, A Poles x2, D Poles x2 and B Poles x4. Make sure tent poles are locked firmly in Corner Connectors after inserting.

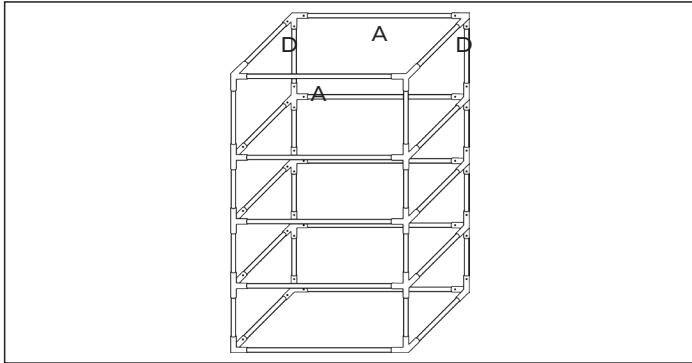


5. Build the top shelf frame using 4-Way Corner Connectors x4, A Poles x2, D Poles x2 and C Poles x4. Make sure tent poles are locked firmly in Corner Connectors after inserting.

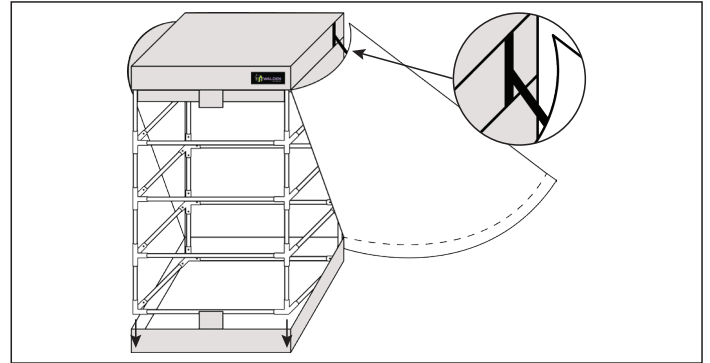


3-Tier Walden Grow Tent Installation Guide

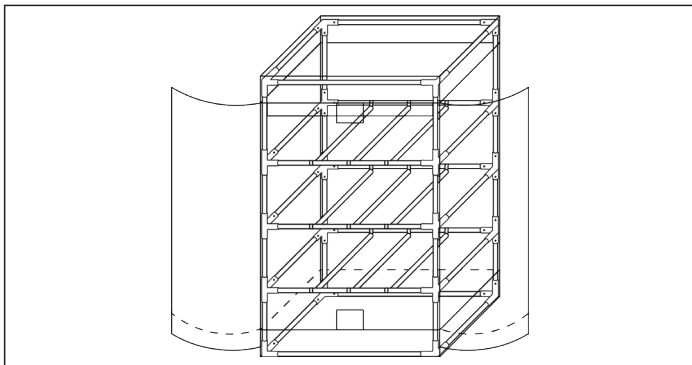
Tent Assembly Instructions (continued)



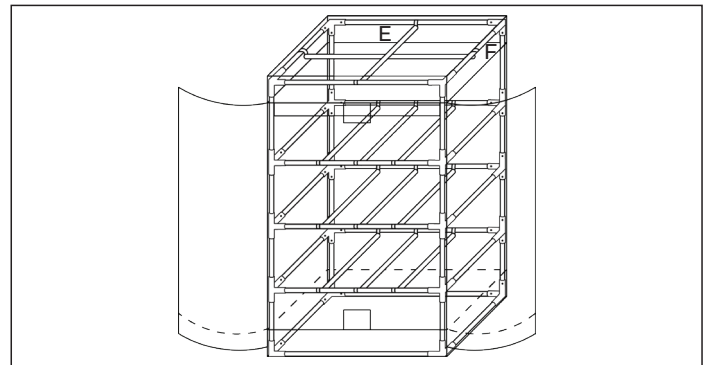
6. Build the top of the tent using 3-Way Corner Connectors x4, A Poles x2 and D Poles x2. Make sure tent poles are locked firmly in Corner Connectors after inserting.



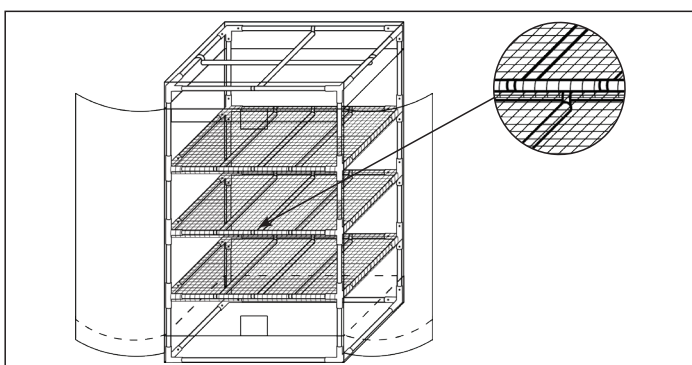
7. Unzip the tent canvas completely. Pull the canvas over the top of the tent frame first. Next, pull the canvas over the bottom of the tent frame. Tip: Lay the tent frame on the ground horizontally while adding the canvas to make installation easier. Doors may also be secured using the velcro straps on the top of the tent. Do not use excessive force when stretching the canvas over the frame.



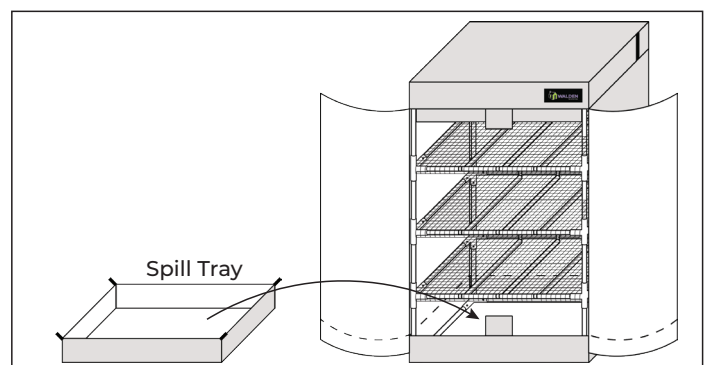
8. Add the medial shelf supports to each shelf using E Poles x9 (3 per shelf). Note: Supports must be spaced to fit the openings on each shelf.



9. Add the medial and lateral roof supports using E Pole x1 and F Pole x1.



10. Build the tent shelving using Shelving Sections x6 (2 per shelf). Place each shelf section over the shelf frame poles. Make sure to adjust the medial shelf supports if needed to line up with the openings on each shelf.

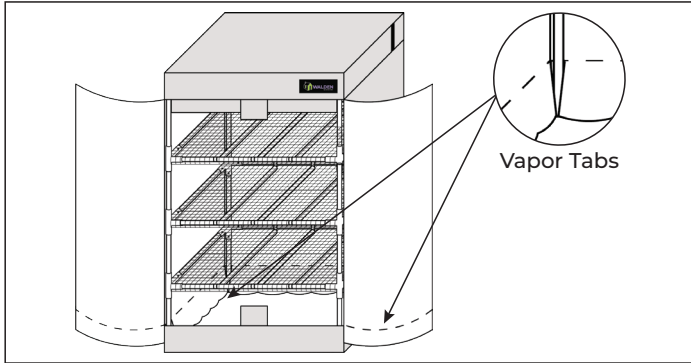


11. Insert the spill tray into the bottom of the tent. Use the velcro straps on each corner of the spill tray to attach it to the tent's corner poles.

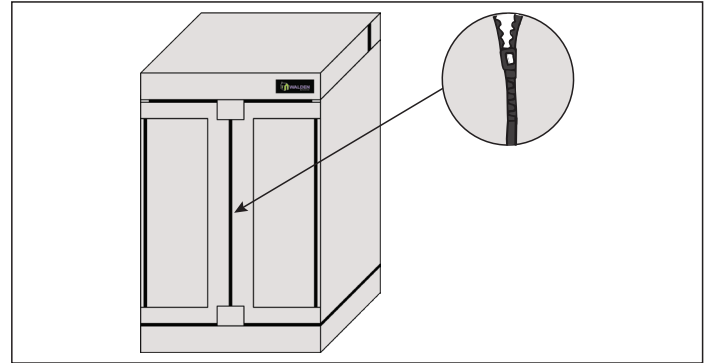


3-Tier Walden Grow Tent Installation Guide

Tent Assembly Instructions (continued)



12. While zipping the tent seams together, make sure all Vapor Tabs are tucked inside the tent doors and hanging over each side of the spill tray. This will ensure excess water buildup on the tent walls drains into the spill tray instead of the tent floor. Note: If the Vapor Tabs are not tucked inside the tent, the doors will not close.



13. Finish zipping the tent seams together and installation is complete.