

# 100W VERTFARM LED GROW LIGHT



## Lightweight & Low Profile

Lightweight (3.75 lbs) and low profile design (0.87") allows the fixture to fit in vertical racking systems with minimal clearance.



## Sun White Pro Spectrum

Professional grade full-spectrum light formulated to promote healthy full-cycle growth, root development, tight internodal spacing and flower production.



## IP66 Rated

IP66 rated components protect the fixture from dust and water exposure commonly encountered in most CEA applications.



## Custom Configurations

Simple installation, daisy chain ports, 0-10V compatibility and driver options (100W/320W/480W/600W) give growers full control to customize grow racks and optimize their space.



## 0-10V Dimmable

Compatible with standard 0-10V horticulture lighting control systems. Dim fixtures individually using a manual dimmer or dim multiple fixtures using a smart controller.



## Extra-Long Lifetime & Guarantee

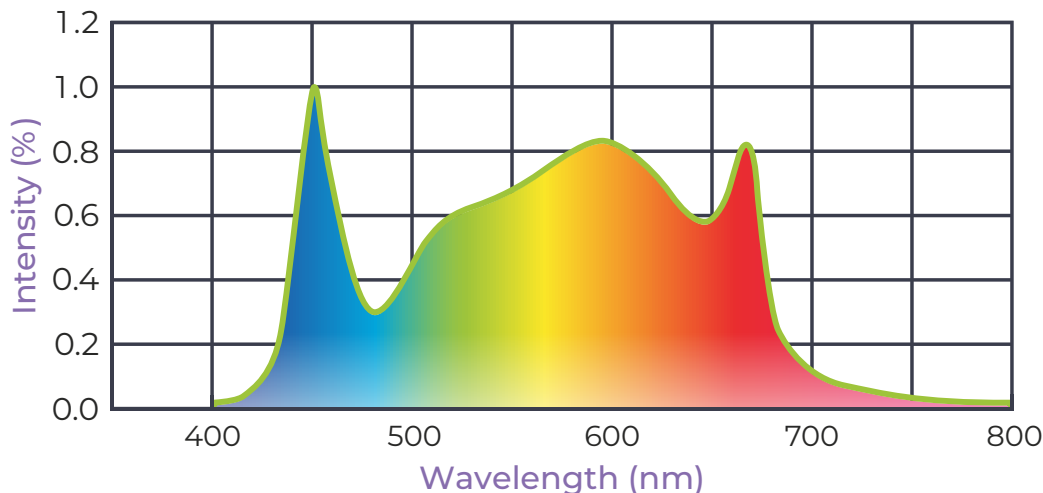
Features an exceptional 50,000-hour lifetime and a 5-year warranty.

## Active Grow Sun White Pro Spectrum Formula

### PBAR Range (280-800 nm)

Plant Biologically Active Radiation

UV 280-400 nm	Blue 400-500 nm	Green 500-600 nm	Red 600-700 nm	Far-Red 700-750 nm	Infrared 750-800 nm
0%	19%	39%	40%	2%	0%



### Blue 400-500 nm

Improves overall plant health and quality including taste, aroma, color and nutrition. Helps promote plant compactness and root development.

### Green 500-600 nm

Increases overall plant photosynthetic efficiency and penetrates the canopy to encourage growth of lower leaves. Makes detecting issues like pests and disease on plants easier to see.

### Red 600-700 nm

Promotes plant photosynthesis and increased biomass. Essential for leaf expansion and stem growth. Helps regulate plant flowering, photoperiod and germination.

### Far-Red 700-750 nm

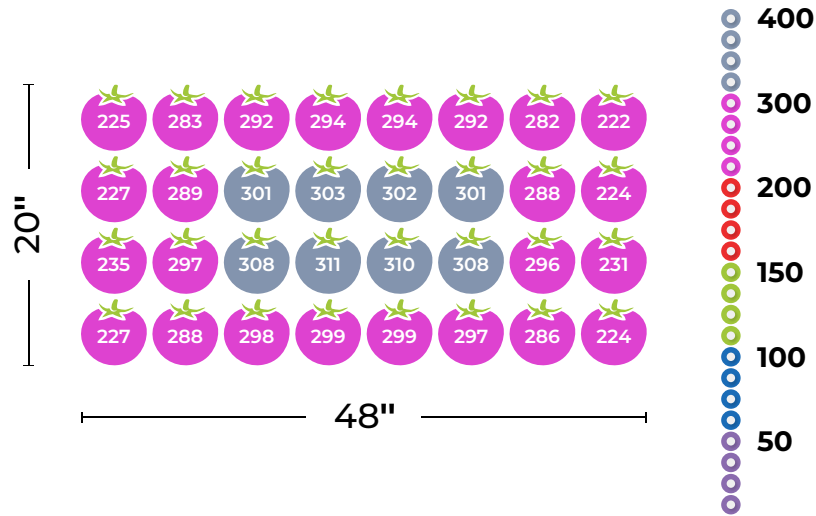
Promotes expansion and stretching of leaves and stems. Penetrates the canopy to encourage growth of lower leaves. When used with 660-680 nm wavelengths, plant photosynthesis rates increase via the Emerson effect.

# 100W VERTFARM LED GROW LIGHT



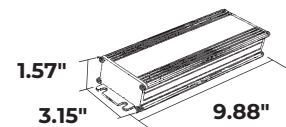
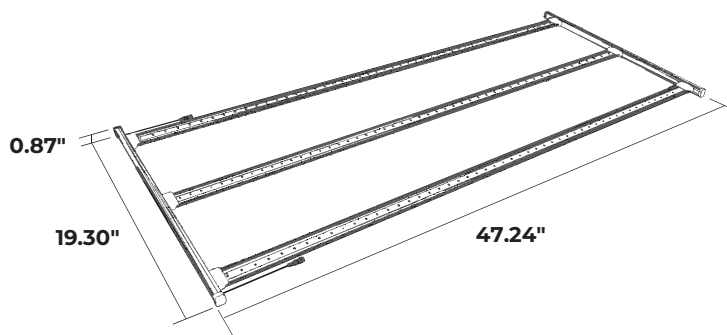
## PPFD Coverage (280-800 nm)

### 6" Hanging Height

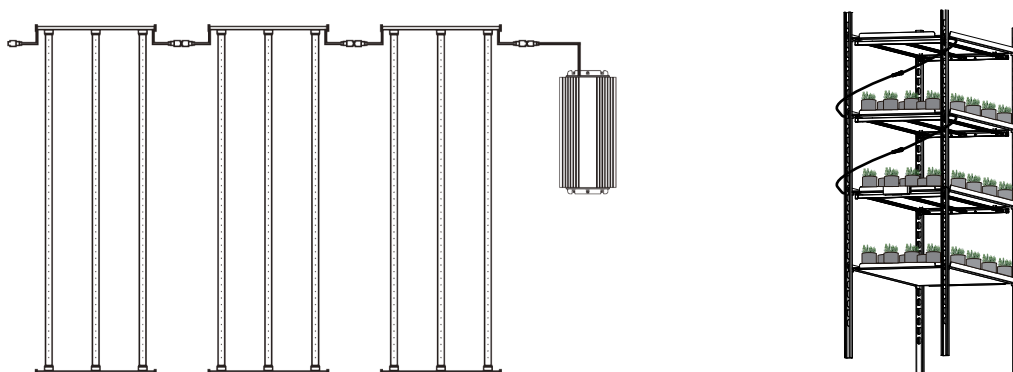


Average: 279 μmol/m²/s

## Product Dimensions



## Daisy Chain Connection



Easily connect multiple fixtures via daisy chain in vertical racking applications. All drivers are compatible with 0-10V controls, operate on 120-277V universal voltage and are available in 100W, 320W, 480W and 600W versions.

# 100W VERTFARM LED GROW LIGHT



SPECIFICATIONS*		100W VERTFARM LED GROW LIGHT	
Fixture model number	AG/100VF/PS/277V		
Power	100 watts		
Driver model numbers	AG/100DRIVER/277V / AG/320DRIVER/277V / AG/480DRIVER/277V / AG/600DRIVER/277V		
Input voltage	120-277V 50-60Hz		
Amperage	When used with 320W driver: 120V (2.50A) / 208V (1.44A) / 277V (1.08A)		
Rated power factor	>90%		
PPF output (400-700 nm)	230 µmol/s		
PBAR output (280-800 nm)	235 µmol/s		
PPF efficacy	2.3 µmol/J		
PBAR efficacy	2.35 µmol/J		
Spectrum	Sun White Pro Spectrum		
CRI	90 (typical)		
Dimensions (l x w x h)	47.24"x19.30"x0.87" (1200x490x22mm)		
Weight	3.75 lbs (1.7 kg)		
Mounting height	4-12" (102-305mm)		
Dimmable	0-10V / Manual dimmer / Smart controller		
Daisy chainable power	Yes		
Daisy chainable dimming	Yes		
Smart controller compatible	Yes		
IP rating	IP66		
Lifetime	50,000 hours		
Warranty	5 years		
Certifications	ETL		
Accessories included	Stainless steel mounting clips, hanging cables		
Optional accessories	6.5' (2m) 120V NEMA 5-15P power cord, 6.5' (2m) 240V NEMA 6-15P power cord, 1.6' (0.5m) dimming power daisy chain cable, 0-10V dimming cable, 0-10V manual dimmer, smart controller		

\* Specification data is preliminary and may be subject to change.

AG-100-VF-PS-277V-DS-121522