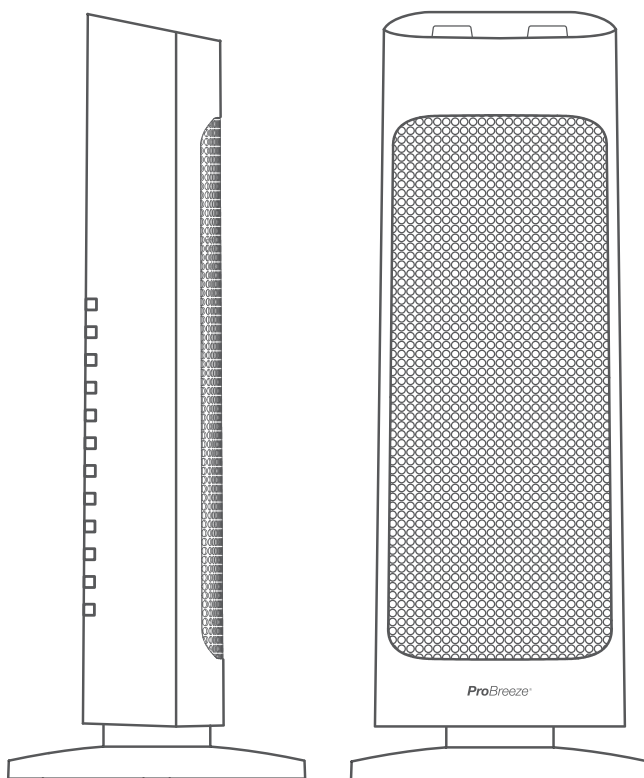


ProBreeze®

Instruction Manual



Model PB-H07 Ceramic Tower Heater

IMPORTANT INSTRUCTIONS - RETAIN FOR FUTURE USE

This product is only suitable for well insulated space or occasional use.

Thank you for choosing to purchase a product from ProBreeze. Please read the entire manual carefully prior to first use and keep in a safe place for future reference.

IMPORTANT SAFETY INSTRUCTIONS

⚠ WARNING: DO NOT COVER THE HEATER.



⚠ WARNING: TO AVOID THE RISK OF ELECTRICAL SHOCK, FIRE OR INJURY TO PEOPLE, ALWAYS MAKE SURE THE HEATER IS UNPLUGGED FROM THE ELECTRICAL OUTLET BEFORE RELOCATING, SERVICING, OR CLEANING IT.

⚠ CAUTION: SOME PARTS OF THIS PRODUCT CAN BECOME VERY HOT AND CAUSE BURNS. PARTICULAR ATTENTION HAS TO BE TAKEN WHERE CHILDREN AND VULNERABLE PEOPLE ARE PRESENT.

- Use this heater only as described in this manual. Any other use not recommended by the manufacturer may cause fire, electric shock, or injury to persons.
- The appliance is not to be used by persons (including children) with reduced physical, sensory or mental capabilities, or lack of experience and knowledge, unless they have been given supervision or instruction.
- The appliance must have a minimum 50cm clearance around all sides of the appliance. We recommend a 1-meter clearance around the heat radiator side of the appliance.
- Children must be supervised not to play with the appliance.
- Children of less than 3 years should be kept away unless continuously supervised.
- Do not leave children alone or unattended in the area where the appliance is in use.
- Cleaning and user maintenance shall not be made by children unless continuously supervised.
- This heater features an in-built tip-over switch. Place the appliance on a flat, stable, heat-resistant surface. Operating the product in any other position could cause a hazard.
- In order to avoid overheating, do not cover the heater.
- Do not use this heater to dry or heat clothes.
- Ensure the heater is not located immediately below a socket-outlet.
- Do not use this heater near water or in the immediate surroundings of a bath, a shower or a swimming pool. Never locate the heater where it may fall into a bathtub or other water container. Do not use the heater in damp areas.
- Do not allow water or other liquids to run into the interior of the heater, as this could create a fire and/or electrical hazard.
- This heater is intended for indoor household use and similar applications. Do not use outdoors.
- Never leave the heater unattended while in use. Always turn the heater off and unplug when not in use.
- Do not use the heater while sleeping or place it near a person who is sleeping.
- Do not place this heater near flammable materials, surfaces or substances. Keep

combustible materials, such as furniture, pillows, bedding, papers, clothes, and curtains at least 3 feet (0.9m) from the heater.

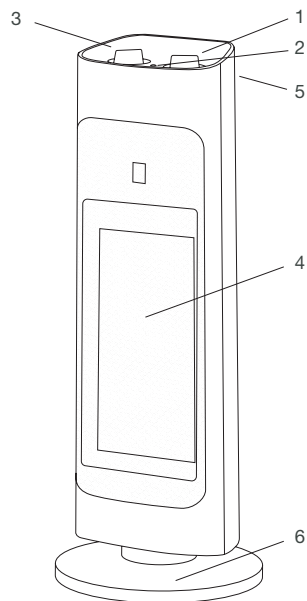
- Use the heater in a well-ventilated area.
- This heater is hot when in use. To avoid burns, do not let bare skin touch hot surfaces. If provided, use handles when moving the heater. Use gloves or oven mitts to avoid serious injury.
- Prior to cleaning or other maintenance, the appliance must be disconnected from the power supply.
- Allow the heater to thoroughly cool down before handling or cleaning.
- Do not use any abrasive cleaners or solvents, as heater damage will occur.
- To disconnect the heater from the mains power, first turn the controls to the OFF position and then remove the plug from the socket.
- Ensure the heater is switched off and the power cord is unplugged from the electrical outlet before cleaning the heater.
- Never insert fingers or metal objects into the vents and openings of the heater.
- Do not push any objects in the air inlet and outlet grills as this may cause an electric shock, fire or damage the heater.
- Avoid placing the power cord in areas where it can become a tripping hazard. Do not place the power cord under carpeting or cover it with rugs, runners or similar.
- To avoid a circuit overload when using this heater, do not operate another high-wattage heater on the same electrical circuit.
- Always plug the heater directly into a wall socket. Avoid using extension leads where possible as they may overheat and cause a risk of fire.
- Do not use this appliance with an external programmer, timer switch or any other device which would switch the device on automatically unless this has already been pre-built into the appliance by the manufacturer.
- Do not kink or wrap the power cord and plug around the appliance, as this may cause the insulation to weaken or split, particularly where it enters the appliance.
- Ensure the mains cable is fully extended before use and arrange it so that it is not in contact with any part of the appliance.
- Do not pull on the mains cable. Never move, carry or hang the appliance by the mains cable.
- The heater should not be used in a room, of which the floor area is less than 5m².
- Do not operate the appliance with any safety guards removed.
- Do not operate the appliance if there are signs of damage to the appliance, power cord, or any of the accessories.
- If the supply cord is damaged, it must be replaced by the manufacturer, its service agent or a similarly qualified person in order to avoid a hazard.
- Do not attempt to repair or adjust any electrical or mechanical elements in the appliance. Doing so may be unsafe and will void your warranty.
- Ensure that the mains supply (including voltage, frequency and power) complies with the rating label of the appliance.
- Do not use the appliance near petrol, paints, flammable gases, ovens, or other heating sources.

PARTS

1. Temperature control dial
2. Power light
3. Power/oscillation control dial
4. Safety grill
5. Handle
6. Base

IMPORTANT NOTE:

RATTLING IS NORMAL - Your heater features an in-built safety tip-over switch that is loose inside the appliance. It is normal for this safety feature to make a rattling sound when moving the appliance. Once settled and in operation on a level surface, the rattling sound will not occur. As a result always place your heater on a flat even surface prior to use.



SPECIFICATION

- Product Dimensions: 200mm x 200mm x 520mm
- Net Weight: 2.35kg
- Voltage: 220-240V ~
- Frequency: 50/60Hz
- Wattage: 2000W

OPERATING INSTRUCTIONS

This heater features an in-built tip-over switch so be sure to place the unit on a flat, even surface.


Switching On and Setting Temperature

1. Insert the plug into the power socket.
2. Turn the power/oscillation control dial to the desired level:

- ⓘ Low heat (1000W)
- ⓘ Low heat with oscillation (1000W)
- Ⓜ High heat (2000W)
- Ⓜ High heat with oscillation (2000W)

3. Turn the temperature control dial until you hear a click – this will turn the unit on. Continue turning the dial to your desired temperature. The temperature control dial acts as a thermostat. Once the room has reached the desired temperature the unit will switch off.




Switching Off

1. Turn the power/oscillation control dial to the  OFF position.
2. Turn the temperature control dial anticlockwise to the lowest setting.
3. Remove the power plug, store the heater after the unit has cooled down.

Note

- **Overheat Protection:** When the temperature of the heater is too high, the thermostat will automatically switch off the power and the heater will stop working. This may occur during improper use or certain environmental conditions. After the heater has cooled, the heater can be used normally.
- **Tip-over Protection:** When the heater is knocked over or tipped onto its side, the safety switch will automatically cut off power. Power will return to normal when the unit has been placed upright onto an even surface.

CLEANING & STORAGE

-  **WARNING: ALWAYS TURN THE HEATER OFF, UNPLUG THE POWER CORD FROM THE ELECTRICAL OUTLET AND ALLOW THE APPLIANCE TO COMPLETELY COOL DOWN BEFORE HANDLING OR CLEANING IT.**
-  **CAUTION: DO NOT ALLOW WATER OR OTHER LIQUIDS TO RUN INTO THE INTERIOR OF THE HEATER, AS THIS COULD CREATE A FIRE AND/OR ELECTRICAL HAZARD.**
-  **CAUTION: DO NOT USE ANY ABRASIVE CLEANERS OR SOLVENTS, AS HEATER DAMAGE WILL OCCUR.**

1. Clean the exterior surface of the heater by wiping it with a soft, damp cloth. Dry the heater with a soft clean cloth.
2. Clean the air inlet and outlet grills regularly with a vacuum cleaner, using the brush attachment to avoid any dust build-up.
3. To store your product out of season, we recommend using the original or similar size box.
4. Do not kink or wrap the power cord

5. Store the heater in a safe, clean and dry place when not in use.
- and plug around the appliance, as this may cause the insulation to weaken or split, particularly where it enters the appliance.

| Model: PB-H07 | Symbol | Value | Unit |
|---|--------------------|-------|------|
| Heat output | | | |
| Nominal heat output | P _{nom} | 2 | kW |
| Minimum heat output (indicative) | P _{min} | 0 | kW |
| Maximum continuous heat output | P _{max,c} | 2 | kW |
| Auxiliary electricity consumption | | | |
| At nominal heat output | el _{max} | N/A | kW |
| At minimum heat output | el _{min} | N/A | kW |
| In standby mode | el _{sb} | N/A | kW |
| Type of heat input, for electric storage local space heaters only | | | |
| Manual heat charge control, with integrated thermostat. | | | No |
| Manual heat charge control with room and/or outdoor temperature feedback. | | | No |
| Electronic heat charge control with room and/or outdoor temperature feedback. | | | No |
| Fan assisted heat output. | | | No |
| Type of heat output/room temperature control | | | |
| Single stage heat output and no room temperature control. | | | No |
| Two or more manual stages, no room temperature control. | | | No |
| With mechanic thermostat room temperature control. | | | Yes |
| With electronic room temperature control. | | | No |
| Electronic room temperature control plus day timer. | | | No |
| Electronic room temperature control plus week timer. | | | No |
| Other control option | | | |
| Room temperature control, with presence detection. | | | No |
| Room temperature control, with open window detection. | | | No |
| With distance control option. | | | No |
| With adaptive start control. | | | No |
| With working time limitation. | | | No |
| With black bulb sensor. | | | No |

RECYCLING AND DISPOSAL

Waste electrical and electronic products (WEEE), batteries, accumulators and packaging should not be disposed of with general household waste. This is to prevent possible harm to the environment and human well-being, and to help conserve our natural resources. Most electrical products with a plug, battery, or cable can be recycled. Contact your local council, household waste disposal service, or the store where you purchased the product for information regarding the collection schemes in your area.

Waste Electrical and Electronic Equipment (WEEE)

This symbol on the product and/or packaging indicates that Waste Electrical products (WEEE) under Directive 2012/19/EU which governs used electrical and electronic appliances, should not be disposed of with general household waste.



The Mobius Loop

This symbol indicates that the product or packaging is capable of being recycled.



Take-Back Scheme

Waste electrical products (WEEE) can be sent to One Retail Group for recycling and disposal when you purchase a new product from One Retail Group, on a like-for-like basis. For more information on how to recycle this product please visit www.probreeze.com

The end-user of electrical and electronic products (WEEE) is responsible for separating old batteries and lamp bulbs before they are handed over to a designated disposal and recycling service. Waste batteries can also be disposed of in collection bins, which can be found in most local supermarkets and household waste recycling centres.



www.probreeze.com

One Retail Group, Ryland House
24a Ryland Road, London, NW5 3EH, United Kingdom

EU Authorised Representative: Brandrep Limited, The Black Church
St Mary's Pl N, Dublin, D07 P4AX, Ireland

© Copyright 2022

