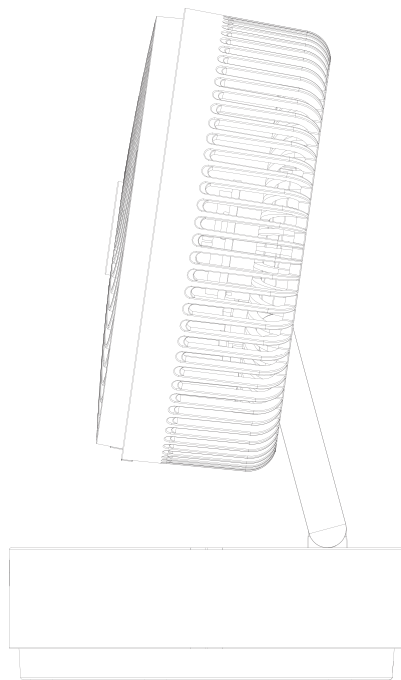
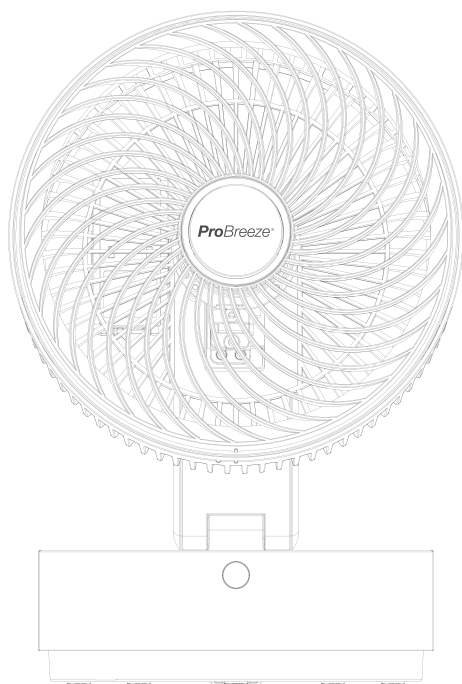


# ProBreeze®

Instruction Manual



## Model PB-F13-UK

Foldable Desk Fan with Touch Screen

**IMPORTANT INSTRUCTIONS**  
- RETAIN FOR FUTURE USE

# CONTENTS

Safety Instructions..... Page 2  
Batteries ..... Page 3  
Symbols Explained ..... Page 4  
Parts ..... Page 4  
Specifications..... Page 4  
Control Panel ..... Page 5  
Operating Instructions..... Page 6  
Cleaning & Storage..... Page 7  
Maintenance..... Page 7  
Recycling & Disposal..... Page 7

Thank you for choosing to purchase a product from Pro Breeze. Please read the entire manual carefully prior to first use and keep in a safe place for future reference.

### SAFETY INSTRUCTIONS

#### PLEASE READ AND SAVE THESE IMPORTANT SAFETY INSTRUCTIONS

When using electrical appliances, basic safety precautions should always be followed to reduce the risk of fire, electric shock, and injury to persons, including the following:

**⚠ WARNING: TO AVOID THE RISK OF ELECTRICAL SHOCK, FIRE OR INJURY TO PEOPLE, ALWAYS MAKE SURE THE APPLIANCE IS UNPLUGGED FROM THE ELECTRICAL OUTLET BEFORE RELOCATING, SERVICING, OR CLEANING IT.**

- Use this appliance only as described in this manual. Any other use not recommended by the manufacturer may cause fire, electric shock, or injury to persons.
- The appliance is not to be used by persons (including children) with reduced physical, sensory or mental capabilities, or lack of experience and knowledge, unless they have been given supervision or instruction.
- The appliance must have a minimum 50cm clearance around all sides of the appliance. Take care that curtains or other objects are not sucked into the fan during operation.
- Children must be supervised not to play with the appliance.
- Children of less than 3 years should be kept away unless continuously supervised.
- Do not leave children alone or unattended in the area where the appliance is in use.
- Cleaning and user maintenance shall not be made by children unless continuously supervised.
- Place the appliance on a flat, stable and dry surface and always keep the appliance in an

upright position. Operating the product in any other position could cause a hazard.

- Do not cover the appliance or restrict the air flow of the inlet or exhaust grills whilst in use.
- Do not use this appliance to dry clothes.
- Do not use the appliance in high humidity or steam filled rooms.
- Do not use this appliance near water or in the immediate surroundings of a bath, a shower or a swimming pool.
- Do not allow water or other liquids to run into the interior of the appliance, as this could create a fire and/or electrical hazard.
- This appliance is intended for indoor household use and similar applications. Do not use outdoors.
- Always turn the appliance off and disconnected from the power supply when not in use.
- Do not use the fan while sleeping or place it near a person who is sleeping.
- Never place anything on top of the appliance.
- Do not operate the appliance with wet hands.
- Never touch the fan blades during use.
- Do not use any abrasive cleaners or solvents, as this will damage the appliance.
- Ensure the appliance is switched off and the power cord is unplugged from the electrical outlet before cleaning, servicing, or relocating the appliance.
- Never insert fingers or metal objects into the vents and openings of the fan.
- Do not push any objects in the air inlet and outlet grills as this may cause an electric shock, fire or damage the fan.
- Avoid placing the power cord in areas where it can become a tripping hazard. Do not place the power cord under carpeting or cover it with rugs, runners or similar.
- To avoid a circuit overload when using this appliance, do not operate another high-wattage appliance on the same electrical circuit.
- Always plug the fan directly into a wall

socket. Avoid using extension leads where possible as they may overheat and cause a risk of fire.

- Do not use this appliance with an external programmer, timer switch or any other device which would switch the device on automatically unless this has already been pre-built into the appliance by the manufacturer.
- Do not kink or wrap the power cord and plug around the appliance, as this may cause the insulation to weaken or split, particularly where it enters the appliance.
- Do not pull on the mains cable. Never move, carry or hang the appliance by the mains cable.
- Do not operate the appliance with any safety guards removed.
- Do not operate the appliance if there are signs of damage to the appliance, power cord, or any of the accessories.
- Do not operate the appliance with the fan safety guards removed.
- If the supply cord is damaged, it must be replaced by the manufacturer, its service agent or a similarly qualified person in order to avoid a hazard.
- Do not attempt to repair or adjust any electrical or mechanical elements in the appliance. Doing so may be unsafe and will void your warranty.
- Ensure that the mains supply (including voltage, frequency and power) complies with the rating label of the appliance.
- Do not use the appliance near petrol, paints, flammable gases, ovens, or other heating sources.
- Keep the appliance out of reach of children and pets.
- Always unplug the appliance when not in use.
- Never leave the appliance unattended while in use.
- There may be trace of odour during the first few minutes of initial use. This is normal and will quickly disappear.
- The mains cable should not hang down from the surface on which the appliance is placed in order to prevent the appliance from being pulled down.

## BATTERIES

This product is supplied with CR2032/3.2V Lithium Battery Coin Cells disposable batteries.





### PLEASE READ AND SAVE THESE IMPORTANT SAFETY INSTRUCTIONS

**⚠ BATTERY WARNING: KEEP OUT OF REACH OF CHILDREN.**

Choking hazard. Do not swallow. Harmful if swallowed. Swallowing can lead to chemical burns, perforation of soft tissue, and death. Severe burns can occur within 2 hours of ingestion. If you think batteries might have been swallowed or placed inside any part of the body, seek immediate medical attention.

- This product only uses a CR2032/3.2V Lithium Battery Coin Cells battery. It is not compatible with other battery types.
- Do not allow children to handle batteries.
- If the battery compartment does not close securely, stop using the product and keep it away from children.
- Ensure that the battery is installed with the correct polarity (+ and -).
- Remove exhausted battery promptly.
- Always inspect new batteries before use. Damaged or weak batteries may leak acid. Discontinue use if batteries show signs of leakage, damage, or weakness at any time.
- Ensure the battery compartment is correctly and securely closed after installing the batteries.
- Wash hands after handling batteries.
- Disposable batteries are not rechargeable and must be recycled or disposed of separately from household waste. Always dispose of batteries at an official collection point and according to your local environmental laws and guidelines.

## SYMBOLS EXPLAINED

	Equipment complies with the applicable UK safety requirements and regulations.
	Equipment complies with the applicable EU safety requirements and regulations.
	Class II Double Insulated / Reinforced Insulation Equipment.
	For indoor use only.

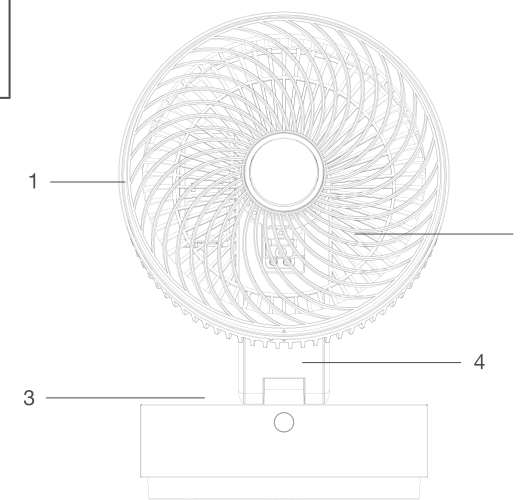
## SPECIFICATIONS

Product Dimensions: 24 x 24 x 17.3 cm  
 Net Weight: 1.55kg  
 Voltage: 220V - 240V~  
 Frequency: 50Hz  
 Power: 25W  
 Noise Level: <55dB

## PARTS

### Front View

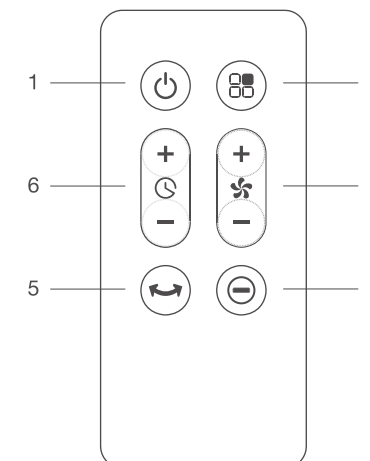
1. Front grill
2. Remote control holder
3. Control panel
4. Folding mechanism



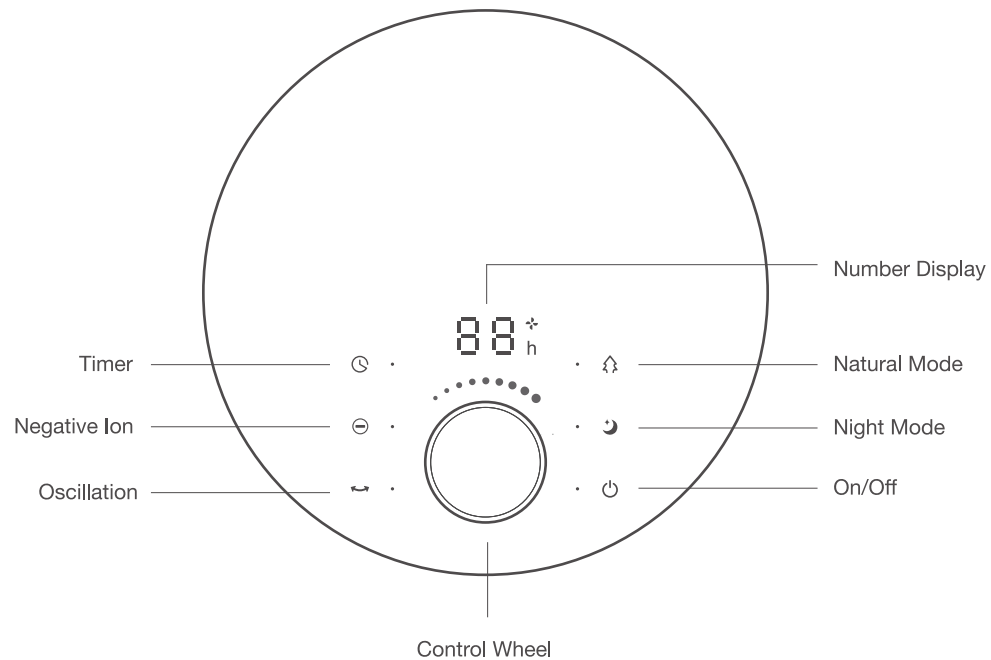
### Remote

This remote control is stored on the back of the fan for safekeeping.

1. On/Off
2. Select mode
3. Fan speed increase/decrease
4. Negative Ion
5. Oscillation
6. Time increase/decrease



## CONTROL PANEL



## OPERATING INSTRUCTIONS

**Note:** the buttons on the control panel mirror the buttons on the remote control. To select a mode using the remote, press the MODE button until the mode you require illuminates on the control panel.

### On/Off



Press once on your remote or on the control panel to turn your fan ON or OFF.

### Control Wheel

- Your fan has 24 different fan speeds.
- Turn the control wheel clockwise to increase the fan speed. Turn the control wheel anti-clockwise to reduce the speed. The fan speed can be seen on the number display.
- The control wheel can also be used to increase or decrease the time in timer mode, or to change the setting in natural mode (outlined below).
- Alternatively, use the increase/decrease buttons on your remote to change the speed/time.

### Natural Mode



- Natural mode is designed to mimic the natural flow of wind by sporadically increasing and decreasing the speed of the fan.
- Press once to turn natural mode on/off and use the control wheel to choose your maximum speed.
- There are three natural mode speeds (8, 16, and 24). The fan will increase to the speed set before increasing and decreasing on a continuous cycle.

### Night Mode



- Press once to turn night mode on/off.
  - Night mode can only be set in speeds 1-6 and will reduce the fan speed every 30 minutes until it reaches level 1.
- Note: the fan will remain ON and in level 1 once this has been reached.**

### Timer



- Timer mode can be used to set your fan to turn on or off automatically.
- For auto turn on:** press the timer button once, and use the control wheel to set when you would like the fan to turn on (1 hr increments, from 1-12 hours). The time will illuminate on the control panel.
- For auto turn off:** press the On/Off button to turn on the fan. Press the timer button once, and use the control wheel to set when you would like the fan to turn off (1 hr increments, from 1-12 hours). The time will illuminate on the control panel.

### Oscillation



- Press once to activate or de-activate oscillation.


### Negative Ion Mode





- Your fan comes with a built-in negative ion generator, which produces powerful negative ions that binds to and neutralises airborne pollutants for a cleaner environment.
- To activate this, press the negative ion button once.

## CLEANING & STORAGE

Your fan can easily be folded for easy compact storage.

 **WARNING: ALWAYS TURN THE APPLIANCE OFF, UNPLUG THE POWER CORD FROM THE ELECTRICAL OUTLET BEFORE HANDLING OR CLEANING IT.**

 **CAUTION: DO NOT ALLOW WATER OR OTHER LIQUIDS TO RUN INTO THE INTERIOR OF THE APPLIANCE, AS THIS COULD CREATE A FIRE AND/OR ELECTRICAL HAZARD.**

 **CAUTION: DO NOT USE ANY ABRASIVE CLEANERS OR SOLVENTS, AS THIS WILL DAMAGE THE APPLIANCE.**

- Clean the exterior surface of the appliance by wiping it with a soft, damp cloth. Dry the appliance with a soft clean cloth.
- To store your product out of season, we recommend using the original or similar size box.
- Do not kink or wrap the power cord and plug around the appliance, as this may cause the insulation to weaken or split, particularly where it enters the appliance.
- Store the appliance in a safe, clean and dry place, away from direct sunlight and out of reach of children when not in use.
- Do not attempt to clean the appliance in any other way than that detailed by the manufacturer.
- Clean the vents and openings of the appliance regularly with a vacuum cleaner, using the brush attachment to avoid any dust build-up.

## MAINTENANCE

The fan requires little maintenance. Do not try to fix it by yourself. Refer it to qualified service personnel if service is required.

1. To ensure adequate air circulation to the motor, keep vents at the rear of the motor free of dust. Do not disassemble the fan to remove dust.
2. Do not allow water or any other liquid into the motor housing or interior parts.

## RECYCLING & DISPOSAL

Waste electrical and electronic products (WEEE), batteries, accumulators, and packaging should not be disposed of with general household waste. This is to prevent possible harm to the environment and human well-being, and to help conserve our natural resources. Most electrical products with a plug, battery, or cable can be recycled. Contact your local council, household waste disposal service, or the store where you purchased the product for information regarding the collection schemes in your area.

### Waste Electrical and Electronic Equipment (WEEE)

This symbol on the product and/or packaging indicates that Waste Electrical products (WEEE) under Directive 2012/19/EU which governs used electrical and electronic appliances, should not be disposed of with general household waste.



### Waste Batteries and Rechargeable Batteries

This symbol on the batteries supplied with your product indicates that Waste Batteries under Directive 2006/66/EC which governs used batteries and accumulators should not be disposed of with general household waste. If the battery contains more than 0.004% lead, the battery symbol will be accompanied by the letters (PB).



## The Mobius Loop

This symbol indicates that the product or packaging is capable of being recycled.



### Take-Back Scheme

Waste electrical products (WEEE) can be sent to One Retail Group for recycling and disposal when you purchase a new product from One Retail Group, on a like-for-like basis. For more information on how to recycle this product please visit [www.probreeze.com](http://www.probreeze.com)

The end-user of electrical and electronic products (WEEE) is responsible for separating old batteries and lamp bulbs before they are handed over to a designated disposal and recycling service. Waste batteries can also be disposed of in collection bins, which can be found in most local supermarkets and household waste recycling centres.





[www.probreeze.com](http://www.probreeze.com)

One Retail Group, Ryland House  
24a Ryland Road, London, NW5 3EH, United Kingdom

EU Authorised Representative: Brandrep Limited, The Black Church  
St Mary's Pl N, Dublin, D07 P4AX, Ireland

© Copyright 2022