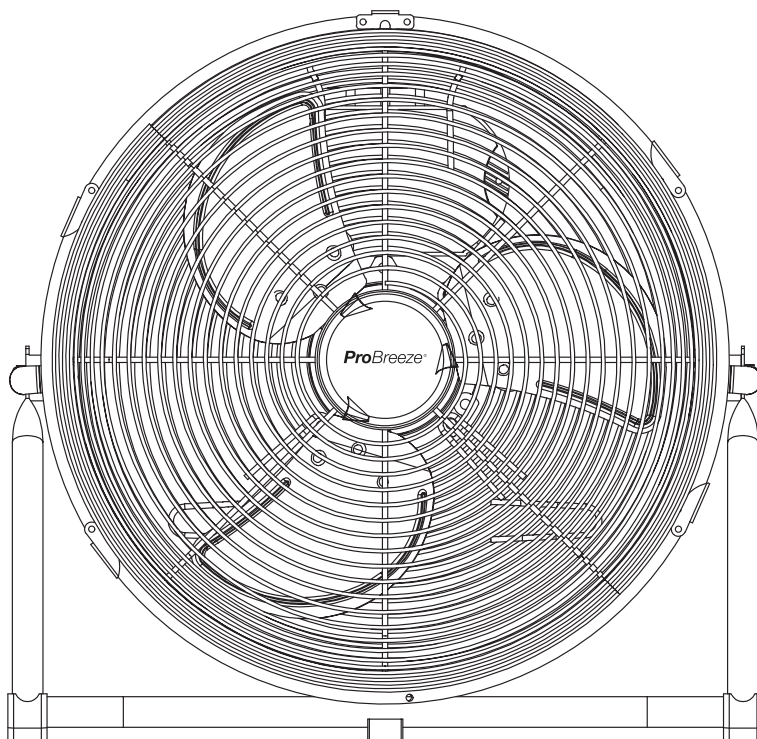


# **ProBreeze**<sup>®</sup>

Instruction Manual



**Model PB-F-21**

12" Chrome Floor Fan

**IMPORTANT INSTRUCTIONS  
- RETAIN FOR FUTURE USE**

# CONTENTS

<b>EN</b> Safety Instructions.....	Page 3
Specifications.....	Page 5
Symbols Explained .....	Page 5
Parts .....	Page 6
Set-Up .....	Page 6
On/Off and Speed Controls .....	Page 6
Angle Adjustment.....	Page 7
Cleaning and Storage.....	Page 7
Recycling and Disposal .....	Page 9

**ProBreeze**<sup>®</sup>

**12" CHROME FLOOR FAN  
MODEL PB-F-21**

Thank you for choosing to purchase a product from Pro Breeze. Please read the entire manual carefully prior to first use and keep in a safe place for future reference.

## SAFETY INSTRUCTIONS

### PLEASE READ AND SAVE THESE IMPORTANT SAFETY INSTRUCTIONS.

When using electrical appliances, basic safety precautions should always be followed to reduce risk of fire, electric shock, and injury to persons, including the following:

**⚠ WARNING: TO AVOID THE RISK OF ELECTRICAL SHOCK, FIRE OR INJURY TO PEOPLE, ALWAYS TURN THE APPLIANCE OFF, UNPLUG THE POWER CORD FROM THE ELECTRICAL OUTLET BEFORE HANDLING, CLEANING OR SERVICING THE APPLIANCE.**

- Use this appliance only as described in this manual. Any other use not recommended by the manufacturer may cause fire, electric shock, or injury to people.
- Ensure that the fan is switched off from the supply mains before removing the guard.
- Do not cover the appliance whilst in use.
- Always unplug the appliance when not in use.
- Keep the appliance out of reach of children and pets.
- Do not leave children alone or unattended in the area where the appliance is in use.
- Children shall not play with the appliance.
- Cleaning and user maintenance shall not be made by children without supervision.
- This appliance can be used by children aged from 8 years and above and persons with reduced physical, sensory or mental capabilities or lack of experience and knowledge if they have been given supervision or instructions concerning use of the appliance in a safe way and understand the hazards involved.

- The appliance must have a minimum 50cm clearance around all side of the appliance. We recommend a 30cm clearance around the back side of the appliance.
- Never leave the appliance unattended while in use.
- Always turn the appliance off and disconnected from the power supply when not in use.
- Avoid placing the power cord in areas where it can become a tripping hazard. Do not place the power cord under carpeting or cover it with rugs, runners or similar.
- Place the appliance on a flat, stable and dry surface and always keep the appliance in an upright position. Operating the appliance in any other position could cause a hazard.
- Never place anything on top of the appliance,
- Ensure that the mains supply (including voltage, frequency, and power) complies with the rating label of the appliance.
- There may be trace of odour during the first few minutes of initial use. This is normal and will quickly disappear.
- Do not cover the appliance or restrict the airflow of the inlet of exhaust grills whilst in use.
- Do not use this appliance to dry clothes.
- Do not use the appliance in high humidity or steam-filled rooms.
- Do not operate the appliance with wet hands.
- Never touch the blades during use.
- Do not use this appliance near water or in the immediate surroundings of a bath, shower or a swimming pool. Never place the appliance where it may fall into a bathtub or other water container.
- Do not allow water or other liquids to run into the interior of the appliance, as this could create a fire and/or electrical hazard.
- This appliance is intended for indoor household use and similar applications. Do not use outdoors.
- Do not use the appliance while sleeping or place it near a person who is sleeping.
- Do not use this appliance near petrol, paints, flammable gases, ovens or other heating sources.
- The mains cable should not hang down from the surface



on which the appliance is placed in order to prevent the appliance from being pulled down.

- To avoid a circuit overload when using this appliance, do not operate another high-wattage appliance on the same electrical circuit.
- Always plug the appliance directly into a wall socket. Avoid using extension leads where possible as they may overheat and cause a risk of fire.
- Do not use this appliance with an external programmer, timer switch or any other device which would switch the appliance on automatically unless this has already been pre-built into the appliance by the manufacturer.
- Do not pull on the power cord. Never move, carry, or hang the appliance by the power cord.
- Do not kink or wrap the power cord and plug around the appliance, as this may cause the insulation to weaken or split, particularly where it enters the appliance.
- Do not operate the appliance with any safety guards removed.
- Do not operate the appliance if there are any signs of damage to the appliance or accessories supplied.
- Do not attempt to repair or adjust any electrical or mechanical elements in the appliance. Doing so may be unsafe and will void your warranty.

#### SPECIFICATIONS

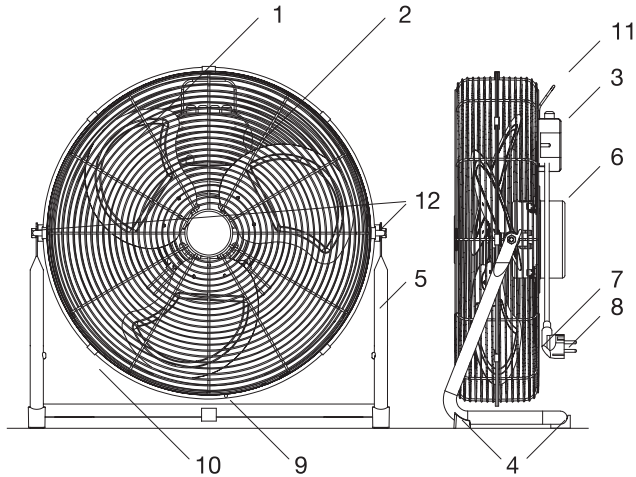
Model:	PB-F-21-UK	Voltage:	220-240V~
Frequency:	50-60Hz	Power:	50W
Product Dimensions:	L390xW150xH385mm	Net Weight:	2.85kg

#### SYMBOLS EXPLAINED

	For indoor use only.		Please read instruction manual and retain for future use.
	Equipment complies with the applicable UK safety requirements and regulations.		Equipment complies with the applicable EU safety requirements and regulations.

## PARTS

1. Fan Blades
2. Safety Grill
3. On/Off & Speed Controls
4. Rubber Feet
5. Stand
6. Motor
7. Cord Storage Hooks
8. Power Cord & Plug
9. Safety Screw
10. Secure Clips (5)
11. Carry Handle
12. Adjusting Nuts



These images are for reference only, please refer to your product.

If you find you're missing any parts from your order, please contact our customer care team by emailing [help@probreeze.com](mailto:help@probreeze.com) for fast and friendly help.

## SET-UP

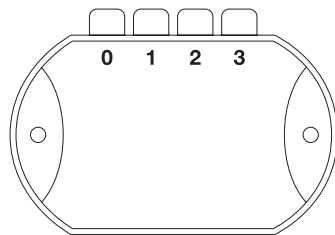
1. Place the fan on a flat level floor.
2. Adjust the fan to the desired angle. It may be necessary to tighten the nuts on either side of the fan to secure the position.
3. Connect the fan to a power outlet.
4. Turn fan on.

**⚠ WARNING: DO NOT MOVE OR ADJUST THE ANGLE OF THE FAN WHILE IT IS ON.**

## ON/OFF AND SPEED CONTROLS

Use the control at the back of the fan to control the speed and turn the fan On and Off.

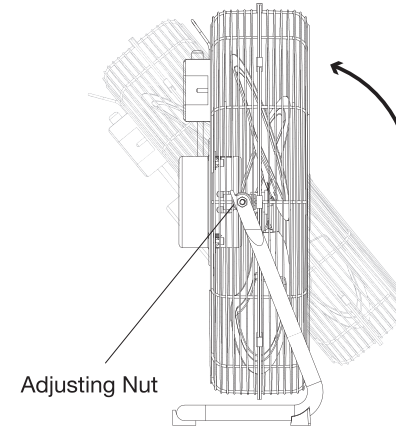
- 0 – Off
- 1 – Low Power
- 2 – Medium Power
- 3 – High Power



## ANGLE ADJUSTMENT

To make adjustments to the angle of the fan, switch it off and adjust it to the desired angle using minimal force, to not damage the fan.

If the fan does not adjust using minimal force, slightly loosen the adjusting nuts at the side of the fan by turning it anti-clockwise. Adjust the fan to the desired angle and tighten again by turning the clockwise.



## CLEANING AND STORAGE

**⚠ WARNING: ALWAYS TURN THE APPLIANCE OFF AND UNPLUG THE POWER CORD FROM THE ELECTRICAL OUTLET BEFORE HANDLING OR CLEANING IT.**

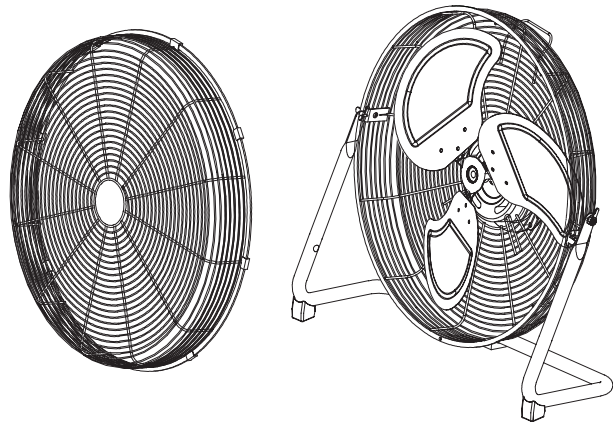
**⚠ CAUTION: DO NOT ALLOW WATER OR OTHER LIQUIDS TO RUN INTO THE INTERIOR OF THE APPLIANCE, AS THIS COULD CREATE A FIRE AND/OR ELECTRICAL HAZARD.**

**⚠ CAUTION: DO NOT USE ANY ABRASIVE CLEANERS OR SOLVENTS, AS THIS WILL DAMAGE THE APPLIANCE.**

To clean the blades and interior of the fan:

1. Unclip the secure clips around the rim of the safety grill.

2. Unscrew the safety screw at the bottom of the safety grill.
3. Slide the top half of the safety grill upward to release it.
4. Use a duster or soft dry cloth to remove any dust on the fan blades and safety grill.
5. Replace the top half of the safety grill, safety screw and clips before using the fan again.



**To clean the exterior of the fan:**

- Wipe the exterior of the safety grill and stand by wiping it with a soft, damp cloth. Dry the appliance with a soft, dry cloth.

**Storage:**

- To store you product, we recommend using the original or similar size box.
- Store the appliance in a safe, clean and dry place, away from direct sunlight and out of reach of children when not in use.

**RECYCLING AND DISPOSAL**

Waste electrical and electronic products (WEEE), batteries, accumulators, and packaging should not be disposed of with general household waste. This is to prevent possible harm to the environment and human well-being, and to help conserve our natural resources. Most electrical products with a plug, battery, or cable can be recycled. Contact your local council, household waste disposal service, or the store where you purchased the product for information regarding the collection schemes in your area.

	<p><b>Waste Electrical and Electronic Equipment (WEEE)</b></p>	<p>This symbol on the product and/or packaging indicates that Waste Electrical products (WEEE) under Directive 2012/19/EU which governs used electrical and electronic appliances, should not be disposed of with general household waste.</p>
	<p><b>The Mobius Loop</b></p>	<p>This symbol indicates that the product or packaging is capable of being recycled.</p>

**Take-Back Scheme**

Waste electrical products (WEEE) can be sent to One Retail Group for recycling and disposal when you purchase a new product from One Retail Group, on a like-for-like basis. For more information on how to recycle this product please visit [www.probreeze.com](http://www.probreeze.com)

The end-user of electrical and electronic products (WEEE) is responsible for separating old batteries and lamp bulbs before they are handed over to a designated disposal and recycling service. Waste batteries can also be disposed of in collection bins, which can be found in most local supermarkets and household waste recycling centres.



[www.probreeze.com](http://www.probreeze.com)

One Retail Group, Ryland House,  
24a Ryland Road, London, NW5 3EH, United Kingdom

EU Authorised Representative: Brandrep Limited, The Black Church,  
St Mary's Pl N, Dublin, D07 P4AX, Ireland

© Copyright 2024