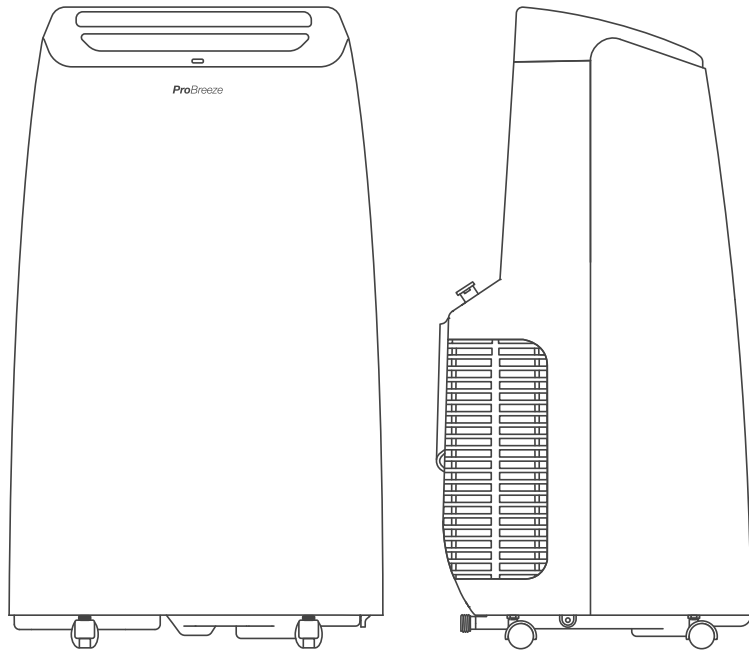




Scan for video instructions on fitting your door or window sealing kits.

ProBreeze®

Instruction Manual



Model PB-AC05

12000 BTU Portable Air Conditioner

**IMPORTANT INSTRUCTIONS
- RETAIN FOR FUTURE USE**

CONTENTS

Safety Warning	Page 3
Symbols Explained.....	Page 5
Specific Information Regarding R290 Refrigerant Gas...	Page 5
Caution	Page 6
Specifications	Page 6
Parts	Page 7
Control Panel.....	Page 8
Installation	Page 9
Controls.....	Page 11
Wifi and Smart Life App Set-Up.....	Page 13
Amazon Echo Set-Up.....	Page 13
Google Home Set-Up.....	Page 14
Emptying the Water Tank	Page 15
Connecting the Water Hose for Continuous Drainage ...	Page 16
Cleaning	Page 17
Storage.....	Page 18
Safety Features	Page 18
Disposal.....	Page 19
Helpful Information	Page 20

Thank you for choosing to purchase a product from Pro Breeze. Please read the entire manual carefully prior to first use and keep in a safe place for future reference.

SAFETY WARNING

PLEASE READ AND SAVE THESE IMPORTANT SAFETY INSTRUCTIONS

When using electrical appliances, basic safety precautions should always be followed to reduce the risk of fire, electric shock, and injury to persons, including the following:

WARNING: TO AVOID THE RISK OF ELECTRICAL SHOCK, FIRE OR INJURY TO PEOPLE, ALWAYS TURN THE APPLIANCE OFF, UNPLUG THE POWER CORD FROM THE ELECTRICAL OUTLET AND EMPTY THE WATER TANK BEFORE HANDLING, CLEANING OR SERVICING THE APPLIANCE.

CAUTION: THIS APPLIANCE IS HEAVY. TAKE EXTRA CARE WHEN HANDLING.

- Use the appliance only as described in this instruction manual.
- Check that the voltage of the main circuit corresponds with the rating of the appliance before operating.
- This appliance is suitable for indoor use only.
- This appliance is not a toy. Never leave unattended around children or pets.
- This appliance can be used by children aged from eight years above and persons with reduced physical, sensory or mental capabilities or lack of experience and knowledge if they have been given supervision or instruction concerning use of the appliance in a safe way and understand the hazards involved.
- Children shall not play with the appliance.
- Cleaning and user maintenance shall not be made by children without supervision.
- Keep the appliance and all parts out of the reach of children.
- This appliance is intended for domestic use only. It should not be used for commercial purposes.
- Place the appliance on a flat and dry surface. Keep it at least 50cm away from surrounding walls and/or objects.
- When moving the appliance ensure it is kept in an upright position.
- When adjusting the louvres do so gently so as not to cause damage.
- Ensure the power cord plug is properly inserted into the power socket before operating.
- Where there is the need to install a continuous drainage hose ensure the





connection of the drainage hose is in good condition without flexure.

- Do not cover the power cord.
- Do not insert fingers or objects into the air inlet or air outlet. Be sure to keep the air inlet and air outlet unblocked.
- Do not operate the appliance with wet hands.
- Do not leave the appliance unattended whilst connected to the power supply.
- Do not pull the power cord to stop the appliance.
- Do not unplug the appliance until it has been switched off.
- Do not modify the appliance or use any accessories other than those supplied.
- Do not place or use the appliance, power cord, or any accessories in a bathroom, wet, or damp place.
- Do not cover the appliance whilst in use.
- Do not use pressurised containers (e.g. aerosol cans) or other flammable substances near the appliance.
- Do not use the appliance near petrol, flammable gases, ovens, or other heating sources.
- Do not allow water or other liquids to enter into the appliance or contaminate electrical parts.
- Do not attempt to repair or adjust any electrical or mechanical elements in the appliance. Doing so may be unsafe and will void your warranty.
- Do not operate the appliance if there are signs of damage to the appliance, power cord, or any of the accessories.
- Do not wipe or wash the appliance with chemical solvents. Prior to cleaning ensure the appliance is turned off and unplugged from the power supply.
- Avoid placing the power cord in areas where it can become a tripping hazard.
- Avoid using extension cables as they may overheat and cause a fire risk.
- Unplug the appliance and store in a cool and dry place when not in use.
- Never place anything on top of the appliance.
- Always unplug the appliance when not in use.
- Dispose of water held by the appliance. This water is not drinkable.
- The appliance must have a minimum 50cm clearance around all sides.
- When moving the appliance, ensure it is kept in an upright position.
- Never leave the appliance unattended while in use. Always turn the appliance off and disconnected from the power supply when not in use.
- Avoid placing the power cord in areas where it can become a tripping hazard. Do not place the power cord under carpeting or cover it with rugs, runners, or similar.
- Ensure that the mains supply (including voltage, frequency and power) complies with the rating label of the appliance.
- There may be trace of odour during the first few minutes of initial use. This is normal and will quickly disappear.
- Do not cover the appliance or restrict the air flow of the inlet or exhaust grills whilst in use.
- Do not operate the appliance without the filter.
- Do not use this appliance near water or in the immediate surroundings of a bath, shower or a swimming pool. Never place the appliance where it may fall into a bathtub or other water container.
- Do not place the continuous drainage hose outside when the temperature falls below 1C.
- This appliance is intended for indoor

household use and similar applications.
Do not use outdoors.

- Do not use the appliance near petrol, paints, flammable gases, ovens, or other heating sources.
- The mains cable should not hang down from the surface on which the appliance is placed in order to prevent the appliance from being pulled down.
- To avoid a circuit overload when using this appliance, do not operate another high-wattage appliance on the same electrical circuit.
- Always plug the appliance directly into a wall socket. Avoid using extension leads where possible as they may overheat and cause a risk of fire.
- Do not use this appliance with an external programmer, timer switch or any other device which would switch the appliance on automatically unless this has already been pre-built into the appliance by the manufacturer.
- Do not pull on the power cord. Never move, carry, or hang the appliance by the power cord.
- Do not kink or wrap the power cord and plug around the appliance, as this may cause the insulation to weaken or split, particularly where it enters the appliance.
- Do not operate the appliance with the water tank removed.
- Do not operate the appliance with any safety guards removed.
- Do not move the appliance whilst it is in use.

SYMBOLS EXPLAINED

	<p>Equipment complies with the applicable UK safety requirements and regulations.</p>
	<p>Equipment complies with the applicable EU safety requirements and regulations.</p>
	<p>Please read instruction manual and retain for future use.</p>
	<p>For indoor use only.</p>

SPECIFIC INFORMATION REGARDING R290 REFRIGERANT GAS

- The appliance must be installed, used and stored in an area that is greater than 13m².
- This appliance contains 265g of R290 refrigerant gas.
- R290 is a refrigerant gas that complies with the European directive on the environment.
- Do not puncture any part of refrigerant circuit.
- Be aware R290 refrigerant is odourless and does not have the odour normally associated with natural gas and propane tanks.
- The appliance must be placed in an area without any continuous sources of ignition such as open flames, gas, or electrical appliances in operation.
- Do not puncture and do not burn.
- If the appliance is installed, operated

or stored in a non-ventilated area, the room must be designed to prevent the accumulation of refrigerant leaks resulting in a risk of fire or explosion due to ignition of the refrigerant caused by electric heaters, stoves, or other sources of ignition.

- The appliance must be stored in such a way as to prevent mechanical failure.
- Individuals who operate or work on the refrigerant circuit must have the appropriate certification issued by an accredited organisation that ensures competence in handling refrigerants according to a specific evaluation recognised by associations in the industry.
- Maintenance and repairs that require the assistance of other qualified personnel must be performed under the supervision of an individual specified in the use of flammable refrigerants.



CAUTION

- Do not operate the appliance if the room temperature is greater than 32°C in cooling mode or lower than 5°C in dehumidifying mode.

SPECIFICATIONS

- Size: 36cm x 43cm x 73cm
- Net Weight: 29.5kg
- Input Voltage: 220V-240V~
- Frequency: 50Hz
- Cooling Capacity: 12000 BTU/H
- Heating Capacity: 12700 BTU/H
- Refrigerant: R290 (265g)
- Energy Efficiency Class For Cooling: A
- Energy Efficiency Class For Heating: A+
- Rated Capacity For Cooling: 3520W
- Rated Capacity For Heating: 3300W
- Rated Input For Cooling: 1350W
- Rated Input For Heating: 1500W
- Rated Current For Cooling: 5.5A
- Rated Current For Heating: 6.0A
- EER For Cooling: 2.6
- EER For Heating: 2.6
- Moisture Removal: 1.1L/H
- Air Flow Volume: 480m³/H
- Applicable Area: 30m²
- Operating Temperature Range: 5-32°C
- Available Temperature Settings: 16-30°C
- Noise Level | High: 65dB
- Noise Level | Low: 56dB

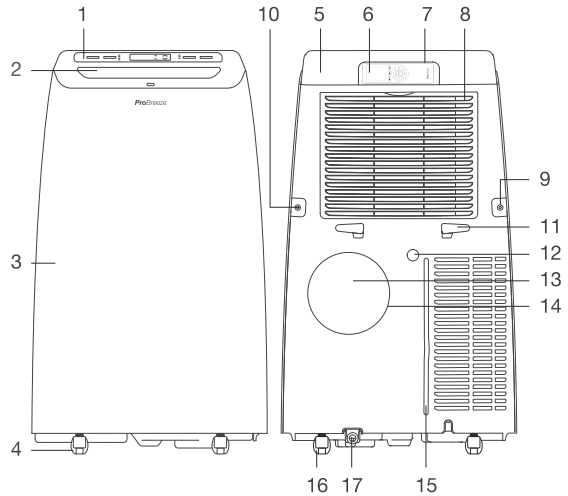
PARTS

Front View

1. Control panel
2. Swinging louvre
3. Body
4. Wheels

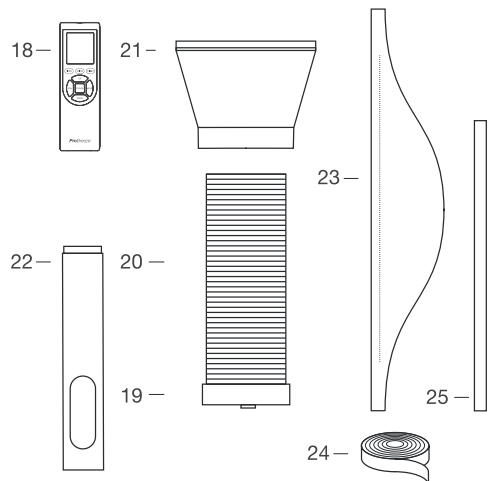
Rear View

5. Body
6. Remote control
7. Remote control holder
8. Evaporator filter cover / evaporative filter
9. Handle
10. Handle
11. Power cord tidy
12. Continuous drainage cap / continuous water outlet
13. Radiating filter
14. Heat exhaust hose connector
15. Condenser filter
16. Wheels
17. Bottom drainage cap / bottom water outlet

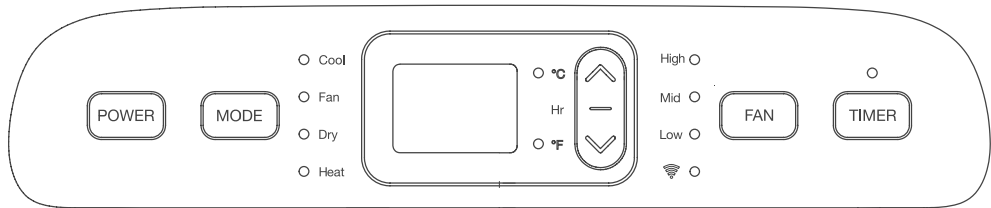


Accessories

18. Remote control
19. Circular heat exhaust hose connector
20. Heat exhaust hose
21. Heat exhaust hose short connector
22. Sliding window sealing board assembly
23. Hinged window fabric sealing assembly
24. Sealing velcro
25. Water hose



CONTROL PANEL



1. Buttons moving from left to right

- Power button
- Mode button
- Up button
- Down button
- Fan speed button
- Timer button

2. Indicator light symbols moving from top to bottom and left to right

- Cooling mode indicator light
- Fan-only mode indicator light
- Dehumidifying mode indicator light
- Heating mode indicator light
- High fan speed indicator light
- Medium fan speed indicator light
- Low fan speed indicator light
- WiFi indicator light
- Timer indicator light

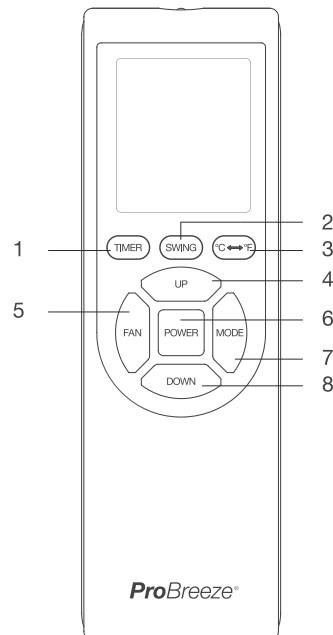
3. Digital display panel moving from top to bottom

- Degrees celsius indicator light
- Degrees fahrenheit indicator light

REMOTE CONTROL

1. Timer button
2. Swing button
3. Temperature unit change button
4. Up button
5. Fan speed button
6. Power button
7. Mode button
8. Down button

Note: Two AAA batteries included.



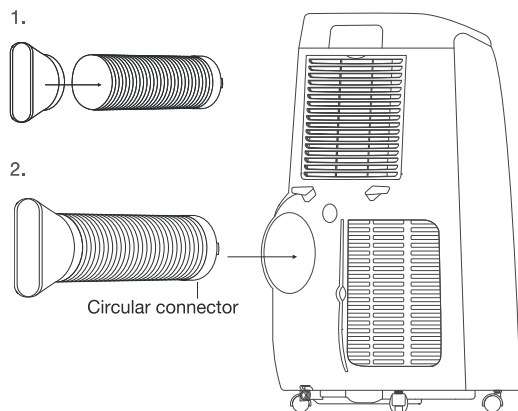
INSTALLATION

Prior to and after installation adhere to the below:

- When moving the appliance to the chosen location ensure it is kept in an upright position.
- Do not place or use the appliance, power cord, or any accessories in a bathroom, wet, or damp place.
- Place the appliance on a flat and dry surface. Keep it at least 50cm away from surrounding walls and/or objects.
- Leave the appliance in an upright position for at least two hours prior to first use.

Heat Exhaust Hose Installation

1. Insert the circular connector into the heat exhaust hose connector.
2. Rotate the circular connector counterclockwise to lock it into place.

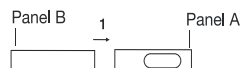


Sliding Window Sealing Board Assembly Installation

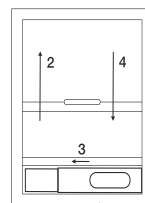
1. Insert panel B into panel A and adjust to the length or height of the window.
2. Open window and place the sealing board assembly into window.
3. Adjust to ensure an exact fit and secure with the provided screw.
4. Close window to lock everything into place.
5. Attach the heat exhaust hose short connector to the elliptical hole.
6. The sealing board assembly is now ready for use.

Notes:

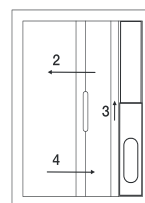
- If your window opening is smaller than the minimum length of the sealing board assembly trim to desired length using a hacksaw.
- If your window opening is larger than the maximum length of the sealing board assembly use plywood or similar to fill the gap.



Horizontal Window

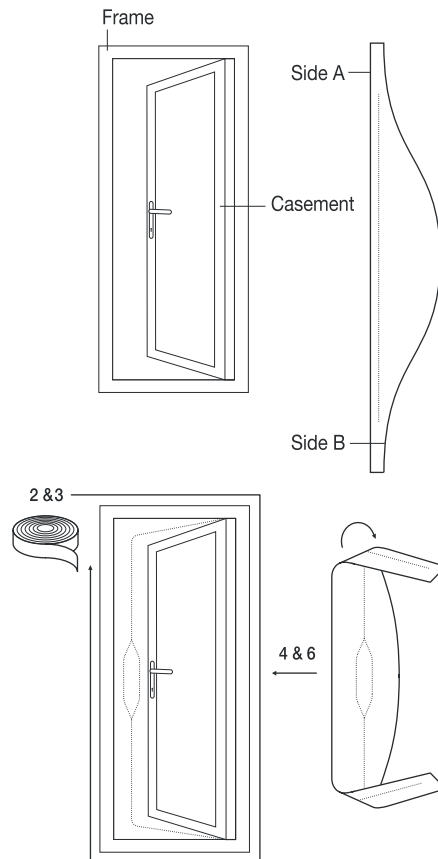


Vertical Window



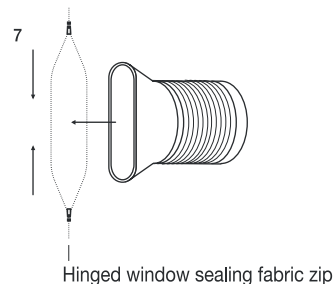
Hinged Window Sealing Fabric Assembly Installation

1. Open window and clean frame and casement surfaces of dust and particles.
2. Stick the velcro tape around the entire window frame. Never stick to the window seal as doing so will prohibit the window from closing fully.
3. Stick the velcro tape around the entire window casement (inside or outside). Check to ensure the window can close fully.
4. Attach side A of the sealing fabric assembly to the velcro on the window frame working from the centre outwards.
5. Close and open window to ensure no fabric gets trapped.
6. Attach side B of the sealing fabric assembly to the velcro on the window casement working from the centre outwards.
7. Open the window slightly and insert the heat exhaust hose short connector into the sealing fabric assembly securing with the zippers around its lip.
8. The sealing fabric assembly is now ready for use.



Notes:

- Do not bend the heat exhaust hose in excess of 45 degrees. It should be as short and as straight as possible to ensure efficient air flow.
- Do not overstretch the heat exhaust hose as this may affect the appliances efficiency.



CONTROLS

Control Panel

Power Button

Turn the appliance on and off.

Mode Button

Select between cooling, dehumidifying, fan-only, and heating modes.

- **Cooling Mode** - Perfect for cooling a room in hot weather. Use the up and down buttons when in cooling mode to set the desired temperature between 16-30°C. The appliance will cool the room if the room temperature goes above the set temperature. If the room temperature goes below the set temperature the appliance will stop cooling the room and the fan will remain operating at the set fan speed.
Note: The heat exhaust hose must be connected to allow the hot and humid air to be discharged outside.
- **Fan-Only Mode** - The appliance operates at the set fan speed. Room temperature is displayed on the digital display panel.
Note: The heat exhaust hose does not have to be connected to the appliance.
- **Dehumidifying Mode** - Ideal for reducing room humidity in humid and damp times of year. The appliance will dehumidify the room if the room temperature is greater than or equal to 15°C and the fan operates at the low fan speed. If the room temperature decreases to less than 15°C the appliance will stop

dehumidifying the room and the fan operates at the low fan speed. Room temperature is displayed on the digital display panel.

Note: The heat exhaust hose must be connected to allow the hot and humid air to be discharged outside.

Note: Continuous drainage is only available when the appliance is in Dehumidifying Mode. All other modes will use the water tank for drainage.

- **Heating Mode** - Perfect for heating a room in cold weather. Use the up and down buttons when in heating mode to set the desired temperature between 16-30°C. The appliance will heat the room if the room temperature goes below the set temperature. If the room temperature goes above the set temperature the appliance will stop heating the room and the fan will remain operating at the set fan speed.
Note: The heat exhaust hose must be connected to allow the cold and humid air to be discharged outside.

Note: Temperature can only be set when in cooling mode or heating mode.

Fan Speed Button

Select between high, medium, and low fan speeds.

Note: Option not available in dehumidifying mode.

Timer Button

Set a turn-on or turn-off timer between 1-24 hours.

Setting a turn-on timer:

1. Ensure the appliance is plugged in and the power socket turned on.
2. Press the timer button to activate the timer function.
3. Press the up and down buttons to set the desired time (1-24 hours) until turn-on.
4. The time digits will blink five times to confirm a timer has been set and the timer indicator light will remain illuminated.
5. Select the desired settings prior to turn-on.
6. To check the remaining time till turn-on press the timer button.
7. To cancel the turn-on timer set the time until turn-on to 0 hours or turn the appliance on and off.

Note: If no desired settings are selected the appliance will turn on in the previously set settings.

Setting a turn-off timer:

1. Ensure the appliance is plugged in and the power socket turned on.
2. Press the power button to turn the appliance on.
3. Press the timer button to activate the timer function.
4. Press the up and down buttons to set the desired time (1-24 hours) until turn-off.
5. The time digits will blink five times to confirm a timer has been set and the timer indicator light will remain illuminated.
6. Select the desired settings prior to turn-off.

7. To check the remaining time till turn-off press the timer button.
8. To cancel the turn-off timer set the time until turn-off to 0 hours or turn the appliance on and off.

Up And Down Buttons

Use the up and down buttons to:

- Set desired temperature when in cooling mode and heating mode.
- Set desired hours till turn-on and turn-off when setting a timer.
- Change between °C and °F by pressing both down at the same time.

Swing Button (Remote Control Only)

Activate the swinging louvre ensuring continuous air circulation.

Note: Should a constant wind flow direction be required in place of continuous air circulation simply manually position the louvre to the desired angle.

Temperature Unit Change Button (Remote Control Only)

Change the temperature units between °C and °F.

WIFI AND SMART LIFE APP SET-UP

To connect the appliance to a smartphone via WiFi through the Smart Life app follow the below steps.

Note: Ensure WiFi network is set to 2.4GHz.

1. Download the Smart Life app by Tuya Inc from the Apple App Store or Google Play Store.
2. Register for a Smart Life account.
3. Log into the Smart Life app.
4. On the Home page tap Add Device or the + symbol in the top right hand corner.
5. Tap Large Home Appliances.
6. Tap Air Conditioner.
7. Plug in the appliance and ensure the power socket is turned on.
8. Press the power button to turn on the appliance and then press the power button again to turn off the appliance and place it in standby mode.
9. Press and hold the fan speed button for three seconds to activate the appliances WiFi pairing function. After three seconds the WiFi indicator light will begin to blink.
10. Tap Confirm WiFi Indicator Light Rapidly Blinking.
11. Input WiFi password and tap Confirm.
12. The Smart Life app will automatically connect to the appliance and show Successfully Added Device.
13. Return to the Smart Life app home page and tap the appliances name.
14. Use the controls to fully control the appliance and set desired settings etc.

AMAZON ECHO SET-UP

To connect the appliance to an Amazon Echo device via WiFi follow the below steps.

Notes:

- The Smart Life app must have already been downloaded and the appliance successfully paired with the Smart Life app.
- The Amazon Alexa app must have already been downloaded.
- An Amazon Echo device must be paired with the Amazon Alexa app.

1. Link the Amazon Alexa app to the Smart Life app:

1. Open the Amazon Alexa app.
2. Go to Skills.
3. Search for Smart Life by Tuya Inc.
4. Tap Enable.
5. Follow the on-screen instructions to connect your Smart Life account with the Amazon Alexa app.

2. Pair the Amazon Alexa app to the appliance:

1. Open the Amazon Alexa app.
2. Go to Devices.
3. Tap the + symbol to add a new device.
4. Tap the appliances name and follow the on-screen instructions to pair the Amazon Alexa app to the appliance.
5. Use Amazon Alexa to control the appliance e.g. "Alexa, turn on the air conditioner."

GOOGLE HOME SET-UP

To connect the appliance to a Google Home device via WiFi follow the below steps.

Notes:

- The Smart Life app must have already been downloaded and the appliance successfully paired with the Smart Life app.
 - The Google Home app must have already been downloaded.
 - A Google Home device must be paired with the Google Home app.
1. Open the Google Home app.
 2. Tap the + symbol.
 3. Tap Set up device.
 4. Tap Have something already set up?
 5. Search for Smart Life by Tuya Inc.
 6. Follow the on-screen instructions to connect your Smart Life account with and the appliance to the Google Home app.
 7. Return to the Google Home home screen.
 8. Tap the room assigned to the appliance and tap the appliances name.
 9. Use Google Assistant to control the appliance e.g. "Hey Google, turn on the air conditioner."

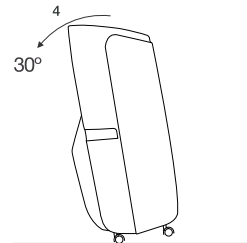
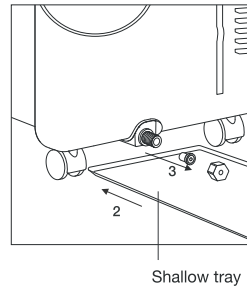
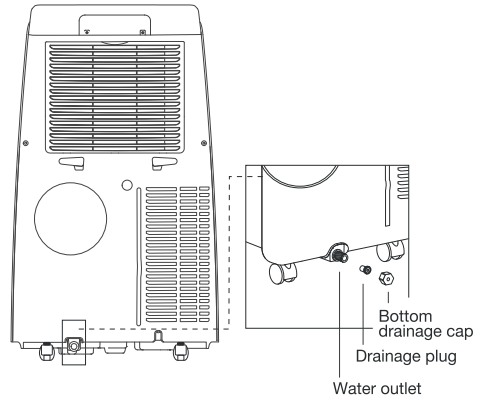
EMPTYING THE WATER TANK

When the water tank is full the warning FL will show on the display and the appliance will pause operation to prevent the water tank from overflowing.

To empty the water tank:

1. Turn off the appliance and unplug it from the wall socket.
2. Place a shallow tray underneath the water outlet.
3. Unscrew the bottom drainage cap, unplug the drainage plug and allow the water to collect in the shallow tray.
4. To fully empty the water tank gently tilt the appliance back on its rear wheels. Do not tilt more than 30 degrees.
5. Once empty, return the appliance to a fully upright position and replace the drainage plug and bottom drainage cap.
6. Empty the shallow tray.

Note: If the shallow tray is not large enough to hold all of the water from the appliance replace the drainage cap to prevent water from flowing onto the floor. Empty the shallow tray and continue from step 2.



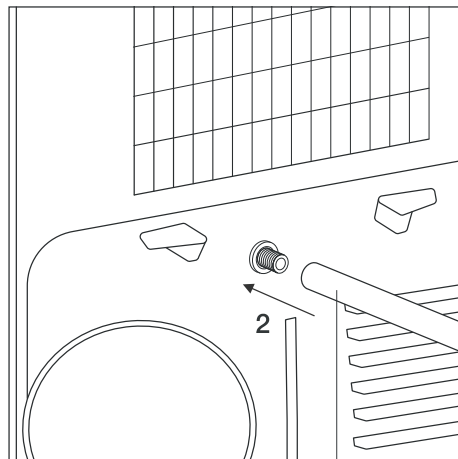
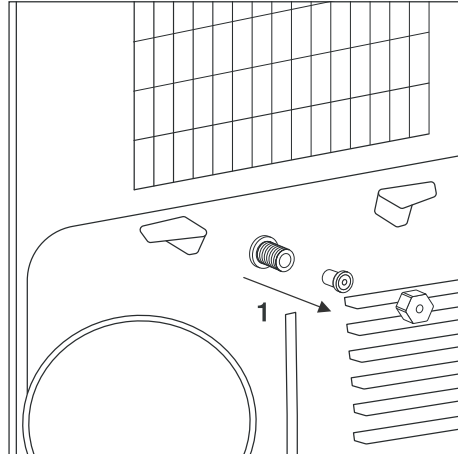
CONNECTING THE WATER HOSE FOR CONTINUOUS DRAINAGE

Continuous drainage is only available when the product is in Dehumidifying Mode. It is recommended to connect a water hose for long-term use.

To attach the water hose:

1. Unscrew the continuous drainage cap and unplug the drainage plug.
2. Insert the water hose into the water outlet.
3. Ensure the water hose end has a suitable drainage outlet (e.g a drain or bucket).

Note: When the appliance is set at a warm temperature it is recommended to attach the water hose as the water tank will fill at a faster rate than when set at a cold temperature.



Water hose

CLEANING

General Cleaning

WARNING: ALWAYS TURN THE APPLIANCE OFF AND UNPLUG THE POWER CORD FROM THE ELECTRICAL OUTLET BEFORE HANDLING OR CLEANING IT.

CAUTION: DO NOT ALLOW WATER OR OTHER LIQUIDS TO RUN INTO THE INTERIOR OF THE APPLIANCE, AS THIS COULD CREATE A FIRE AND/OR ELECTRICAL HAZARD.

CAUTION: DO NOT USE ANY ABRASIVE CLEANERS OR SOLVENTS, AS THIS CAN DAMAGE THE APPLIANCE.

- Turn off the appliance and unplug it from the power socket. Use a soft, dry cloth to clean away any dust, or debris from the exterior surface of the appliance.
- Do not attempt to clean the appliance in any other way than that detailed by the manufacturer.

Heat Exhaust Pipe Cleaning

1. Remove the heat exhaust pipe from the rear of the appliance and the respective window sealing assembly.
2. Use a soft, dry cloth to clean away any dust, or debris.
3. Return the heat exhaust pipe.

Filter Cleaning

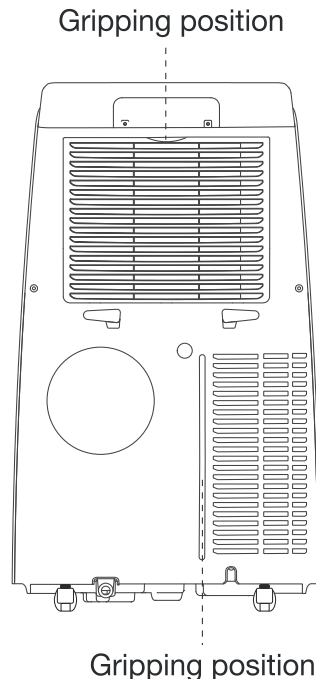
Clean the appliance's evaporator and condenser filter once every two weeks.

To remove and clean the evaporator filter:

1. Grip the evaporator filter cover top gripping position and gently remove.
2. Unscrew the four screws securing the evaporative filter to the appliance.
3. Use a firm brush and/or vacuum cleaner to clean the filter of any dust and particles.
4. Return the evaporator filter and screw back into position.
5. Return the evaporator filter cover.

To remove and clean the condenser filter:

1. Grip the condenser filter at the gripping position and gently remove.
2. Use a firm brush and/or vacuum cleaner to clean the filter of any dust and particles.
3. Return the condenser filter.



STORAGE

For long-term storage:

1. Empty the water tank and leave both the continuous and bottom drainage caps and drainage plugs off and unplugged.
2. Run the appliance in fan-only mode on the low fan speed setting for 12 hours to allow the interior of the appliance to fully dry.
3. Turn off the appliance, replace both the continuous and bottom drainage caps and drainage plugs, and unplug the power cord.
4. Remove the heat exhaust hose.
5. Remove the batteries from the remote control.
6. Cover the appliance and all accessories with a waterproof covering and store in a safe, dry place, out of the reach of children.
7. To store your product, we recommend using the original or a similar-sized box.

SAFETY FEATURES

Anti-Frost Protection

If the internal pipe temperature drops too low the compressor and water spraying motor will turn off. The display will show E4 and the appliance will initiate anti-frost protection rendering the control panel buttons inactive apart from the power button. Once the internal pipe temperature has warmed the anti-frost protection will cease and the appliance will return to operating at the chosen settings.

Anti-Overheat Protection

If the internal pipe temperature rises too high the compressor will turn off and the appliance will initiate anti-overheat protection rendering the control panel buttons inactive apart from the power button. Once the internal pipe temperature has cooled the anti-overheat protection will cease and the appliance will return to operating at the chosen settings.

Automatic Defrosting

If the internal pipe temperature is too low upon turning on the appliance and selecting heating mode or drops too low whilst operating in heating mode the heating mode indicator light will flash and the appliance will initiate automatic defrosting rendering the control panel buttons inactive apart from the power button. Once the internal pipe temperature has warmed the automatic defrosting will cease and the appliance will return to operating at the chosen settings.

Compressor Delay Protection

To protect the compressor, apart from when the appliance and compressor are activated for the first time after being turned on via the power button, there will be a three minute delay between every occurrence of the compressor turning off and on.

DISPOSAL

Waste electrical and electronic products (WEEE), batteries, accumulators, and packaging should not be disposed of with general household waste. This is to prevent possible harm to the environment and human well-being, and to help conserve our natural resources. Most electrical products with a plug, battery, or cable can be recycled. Contact your local council, household waste disposal service, or the store where you purchased the product for information regarding the collection schemes in your area.

Waste Electrical and Electronic Equipment (WEEE)

This symbol on the product and/or packaging indicates that Waste Electrical products (WEEE) under Directive 2012/19/EU which governs used electrical and electronic appliances, should not be disposed of with general household waste.



Waste Batteries and Rechargeable Batteries

This symbol on the batteries supplied with your product indicates that Waste Batteries under Directive 2006/66/EC which governs used batteries and accumulators should not be disposed of with general household waste. If the battery contains more than 0.004% lead, the battery symbol will be accompanied by the letters (PB).



The Mobius Loop

This symbol indicates that the product or packaging is capable of being recycled.



Take-Back Scheme

Waste electrical products (WEEE) can be sent to One Retail Group for recycling and disposal when you purchase a new product from One Retail Group, on a like-for-like basis. For more information on how to recycle this product please visit www.probreeze.com

The end-user of electrical and electronic products (WEEE) is responsible for separating old batteries and lamp bulbs before they are handed over to a designated disposal and recycling service. Waste batteries can also be disposed of in collection bins, which can be found in most local supermarkets and household waste recycling centres.

Personal Data Protection

Electrical and electronic products (WEEE) may contain personal user data, depending on the type of product. This may include app-linked products that connect to wifi. The end-user is responsible for deleting the data on the waste electrical and electronic products prior to disposal.

HELPFUL INFORMATION

Issue	Cause	Resolution
The appliance is not operating.	No power.	Connect the unit to a live power socket and turn it on.
	Water tank full.	Drain the water stored in the unit.
	Room temperature too low.	It is recommended that this unit be operated at 5-32°C.
	Room temperature lower than the set temperature in cooling mode.	Increase the set temperature above the room temperature.
Poor cooling.	Doors and windows are open or there are other heat sources.	Close doors and windows and remove other heat sources.
	Dirty filters.	Clean filters.
	Air inlet or air outlet clogged.	Remove the obstruction.
	There is direct sunlight.	Draw curtains.
Noisy.	Appliance not on a flat surface.	Place the appliance on a flat surface.
The compressor does not work.	Initiation of overheat protection.	Wait three minutes until the temperature decreases and then turn on the unit.
The remote control does not work.	Too far from appliance.	Bring the remote control closer to the appliance and ensure that the remote control is pointing toward the receiving head of the remote control.
	The remote control is not pointing towards the receiving head of the remote control.	
	The batteries are dead.	Replace the batteries.
Display showing E1.	Pipe temperature sensor failure.	Arrange for a professional to check the pipe temperature sensor and related circuits.
Display showing E2.	Room temperature sensor failure.	Arrange for a professional to check the room temperature sensor and related circuits.
Display showing E4.	Anti-frost protection.	Appliance returns to operating at chosen settings once the internal pipe temperature exceeds 8°C.



www.probreeze.com

One Retail Group, Ryland House,
24a Ryland Road, London, NW5 3EH, United Kingdom

EU Authorised Representative: Brandrep Limited,
The Black Church, St Mary's Pl N, Dublin, D07 P4AX, Ireland

© Copyright 2023