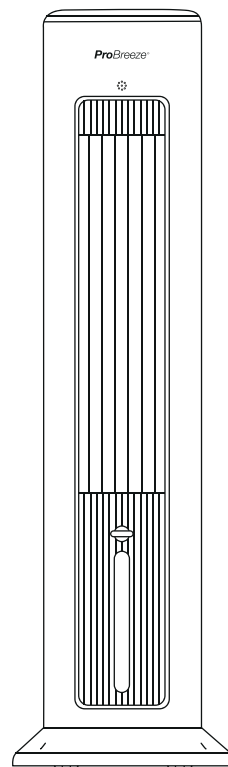


# *ProBreeze*®

Instruction Manual



**Model PB-AC-09W**  
5L Evaporative Air Cooler

**IMPORTANT INSTRUCTIONS**  
– RETAIN FOR FUTURE USE

# CONTENTS

<b>EN</b> Safety Instructions.....	Page 3
Batteries .....	Page 5
Specifications.....	Page 6
Symbols Explained .....	Page 7
Parts .....	Page 7
Assembly Instructions .....	Page 8
Control Panel.....	Page 9
Remote Control.....	Page 10
Operating Instruction.....	Page 11
Filling the Water Tank.....	Page 12
Emptying the Water Tank.....	Page 12
Using the Aroma Diffuser.....	Page 13
Cleaning and Storage.....	Page 13
Recycling and Disposal.....	Page 15

**ProBreeze**®

**5L EVAPORATIVE AIR COOLER  
MODEL PB-AC-09W**

Thank you for choosing to purchase a product from Pro Breeze. Please read the entire manual carefully prior to first use and keep in a safe place for future reference.

## **SAFETY INSTRUCTIONS**

### **PLEASE READ AND SAVE THESE IMPORTANT SAFETY INSTRUCTIONS.**

When using electrical appliances, basic safety precautions should always be followed to reduce risk of fire, electric shock, and injury to persons, including the following:

**⚠ WARNING: TO AVOID THE RISK OF ELECTRICAL SHOCK, FIRE OR INJURY TO PEOPLE, ALWAYS TURN THE APPLIANCE OFF, UNPLUG THE POWER CORD FROM THE ELECTRICAL OUTLET AND EMPTY THE WATER TANK BEFORE HANDLING, CLEANING OR SERVICING THE APPLIANCE.**

- Use this appliance only as described in this manual. Any other use not recommended by the manufacturer may cause fire, electric shock, or injury to persons.
- Do not cover the appliance whilst in use.
- Always unplug the appliance when not in use.
- Do not immerse the appliance in water.
- Keep the appliance out of reach of children and pets.
- Do not leave children alone or unattended in the area where the appliance is in use.
- Children must be supervised not to play with the appliance.
- Cleaning and user maintenance shall not be made by children unless continuously supervised.
- Dispose of water held by the appliance. This water is not drinkable.
- This appliance can be used by children aged from 8 years and above and persons with reduced physical, sensory or mental capabilities or lack of experience and knowledge if they have been given supervision or instruction concerning

use of the appliance in a safe way and understand the hazards involved.

- When moving the appliance, ensure it is kept in an upright position.
- The appliance must have a minimum 50cm clearance around all sides.
- Never leave the appliance unattended while in use. Always turn the appliance off and disconnected from the power supply when not in use.
- Avoid placing the power cord in areas where it can become a tripping hazard. Do not place the power cord under carpeting or cover it with rugs, runners or similar.
- Place the appliance on a flat, stable, and dry surface and always keep the appliance in an upright position. Opening the appliance in any other position could cause a hazard.
- Never place anything on top of the appliance.
- Ensure that the mains supply (including, voltage, frequency and power) complies with the rating label of the appliance.
- There may be trace of odour during the first few minutes of initial use. This is normal and will quickly disappear.
- Do not cover, obstruct or push objects into the vents and opening of the appliance as this may cause an electric shock, fire or damage the appliance.
- Do not use the appliance to dry clothes.
- Do not fill the water tank when the power cord is plugged in to the electrical outlet.
- Do not operate the appliance with wet hands
- Do not use this appliance near water or in the immediate surroundings of a bath, shower or a swimming pool. Never place the appliance where it may fall into a bathtub or other water container.
- Do not allow water or other liquids to run into the interior of the appliance, as this could create a fire and/or electrical hazard.
- This appliance is intended for indoor household use and similar applications. Do not use outdoors.
- Do not use the appliance near petrol, paints, flammable, gases, ovens, or other heating sources.
- The mains cable should not hang down from the surface

on which the appliance is placed in order to prevent the appliance from being pulled down.

- To avoid a circuit overload when using this appliance, do not operate another high-wattage appliance on the same electrical circuit.
- Always plug the appliance directly into a wall socket. Avoid using extension leads where possible as they may overheat and cause a risk of fire.
- Do not use this appliance with an external programmer, timer switch or any other device which would switch the appliance on automatically unless this has already been pre-built into the appliance by the manufacturer.
- Do not pull on the power cord. Never move, carry, or hang the appliance by the power cord.
- Do not kink or wrap the power cord and plug around the appliance, as this may cause the insulation to split or weaken, particularly where it enters the appliance.
- Do not operate the appliance with the water tank removed.
- Do not operate the appliance with any safety guards removed.
- Do not operate the appliance if there are any signs of damage to the appliance or accessories supplied.
- Do not attempt to repair or adjust any electrical or mechanical elements in the appliance. Doing so may be unsafe and will void your warranty.
- Condensation may form on the outside of the water tank when using the ice packs, which can drip onto the floor. Ensure this is cleaned to prevent it from becoming a slipping hazard.
- Only fill the water tank and the provided ice packs with fresh water.
- Do not puncture or attempt to open the ice packs.
- If the supply cord is damaged, it must be replaced by the manufacturer, its service agent or a similarly qualified person in order to avoid a hazard.

## **BATTERIES**

This product is supplied with AAA disposable batteries.

**PLEASE READ AND SAVE THESE IMPORTANT SAFETY INSTRUCTIONS**

**⚠ WARNING: KEEP BATTERIES OUT OF REACH OF CHILDREN.**






Choking hazard. Do not swallow. Harmful if swallowed. Swallowing can lead to chemical burns, perforation of soft tissue, and death. Severe burns can occur within 2 hours of ingestion. **If you suspect your child has swallowed a battery seek medical attention immediately.**

- This product’s remote only uses a AAA battery. It is not compatible with other battery types.
- Do not allow children to handle batteries.
- If the battery compartment does not close securely, stop using the product and keep it away from children.
- Ensure that the battery is installed with the correct polarity (+ and -).
- Remove exhausted battery promptly.
- Always inspect new batteries before use. Damaged or weak batteries may leak acid. Discontinue use if batteries show signs of leakage, damage, or weakness at any time.
- Ensure the battery compartment is correctly and securely closed after installing the batteries.
- Wash hands after handling batteries.
- Disposable batteries are not rechargeable and must be recycled or disposed of separately from household waste. Always dispose of batteries at an official collection point and according to your local environmental laws and guidelines.

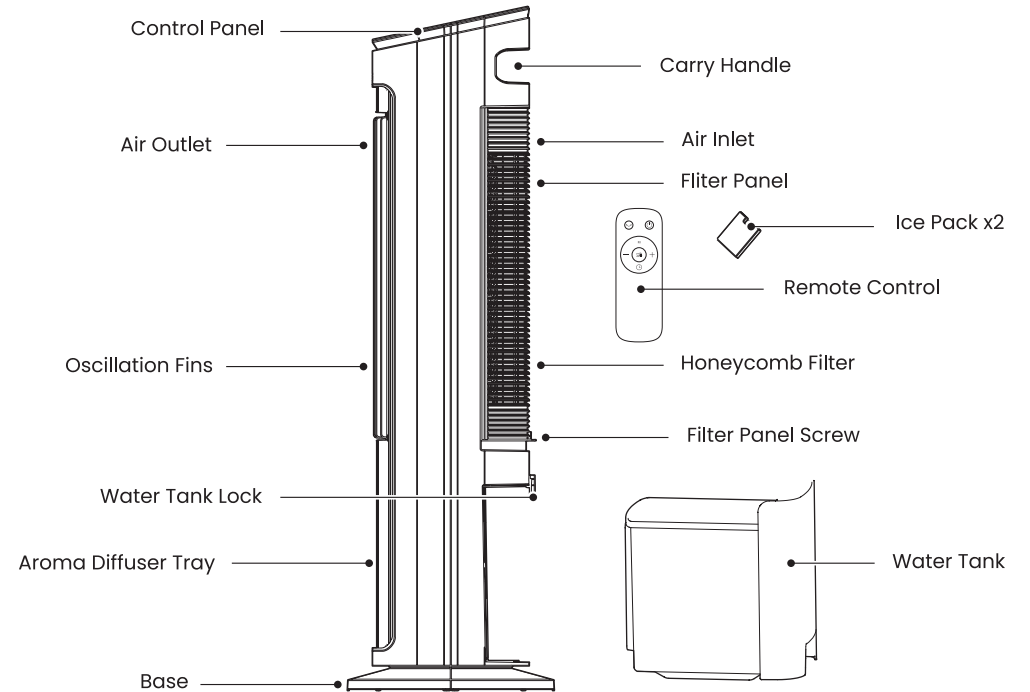
**SPECIFICATIONS**

Model:	PB-AC-09W-UK	Voltage:	220-240V~
Frequency:	50Hz	Power:	45W
Product Dimensions:	31 x 31 x 102.7cm	Net Weight:	6.5kg
Water Tank Capacity:	5L		

**SYMBOLS EXPLAINED**

	For indoor use only.		Please read instruction manual and retain for future use.
	Equipment complies with the applicable UK safety requirements and regulations.		Equipment complies with the applicable EU safety requirements and regulations.
	Class II Double Insulated / Reinforced Insulation Equipment		

**PARTS**



These images are for reference only, please refer to your product.

If you find you’re missing any parts from your order, please contact our customer care team by emailing [help@probreeze.com](mailto:help@probreeze.com) for fast and friendly help.

## ASSEMBLY INSTRUCTIONS

1. Take the two parts of the base, align the centres and snap them together as shown in fig 1.

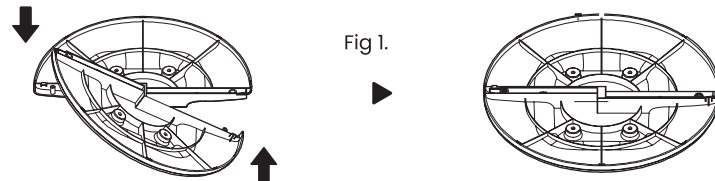


Fig 1.

2. Connect the main body of the unit to the base by lining up the front and the back of the unit with the highlighted clips in fig 2.

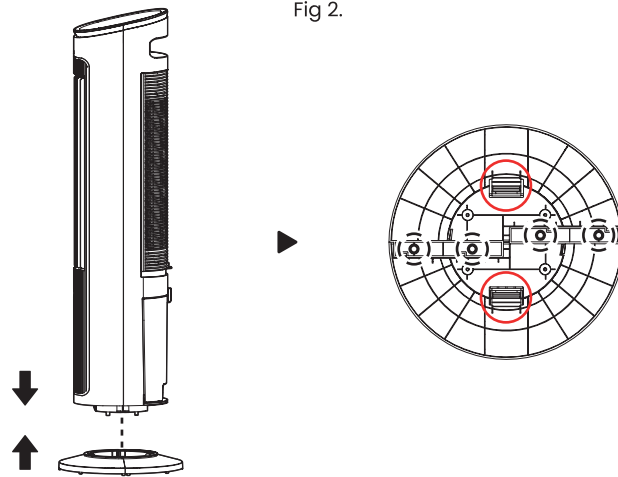


Fig 2.

3. Affix the four screws provided with a Phillips screwdriver to the four holes highlighted in fig 3.

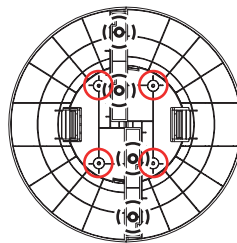
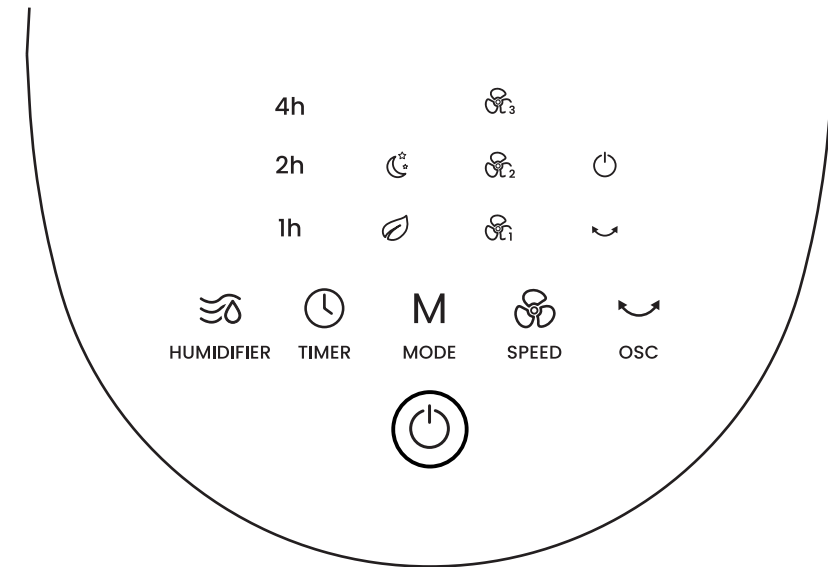


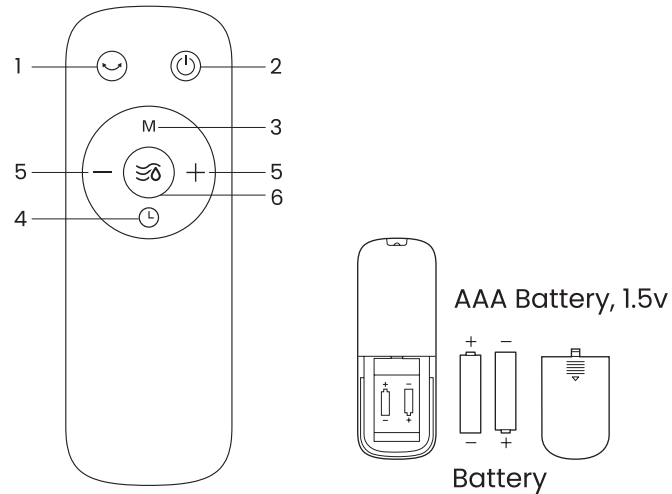
Fig 3.

## CONTROL PANEL



	<b>Power Button</b>	This is the power button. Press to turn the unit on/off. When the unit is on, the  indicator light will light up.
	<b>Fan Speed Button</b>	This is the fan speed button. Press to cycle through the three wind speeds low  , medium  and high .
	<b>Mode Button</b>	Press this button to cycle through the fan, night  and  natural modes. For full instructions see the "Operating Instruction" section on page
	<b>Timer Button</b>	Press this button to set a timer from 1h-7h. Though the indicator lights only show 1h, 2h, and 4h options, the lights will add up for options 3h, 5h, 6h and 7h: 1h + 2h = 3h / 1h + 4h = 5h / 2h + 4h = 6h / 1h + 2h + 4h = 7h
	<b>Oscillation Button</b>	Press this button to turn oscillation on or off.
	<b>Humidification Button</b>	Press the button to activate the humidification mode. This mode can work with all other modes (fan-only, night and natural). For full instructions see the "Operating Instructions" section on page (11).
<p><b>NOTE:</b> The display lights on the control panel will turn off after 60 seconds. To see your current settings either tap any button on the control panel or remote control (apart from the Power Button) and the control panel lights will automatically turn on.</p>		

## REMOTE CONTROL



The remote control can be used within five metres from the front of the device. Make sure that the remote control points to the sensor under the control panel.

1		Press this button to turn on/off oscillation
2		Press this button to turn the unit on/off.
3		Press this to cycle through fan, night and natural modes.
4		Press this button when the unit is on to set a turn-off timer from 1h-7h. Press this button when the unit is off to set a turn-on timer from 1h-7h.
5		Press '+' to increase the fan speed. Press '-' to decrease the fan speed.
6		Press this button to activate the humidification mode.
<b>NOTE:</b> Two AAA batteries are included.		

## OPERATING INSTRUCTIONS

	<b>Power button</b>	Press once on the control panel or remote control to turn the device on or off.
	<b>Oscillation Button</b>	Press once on the control panel or remote control to start or stop vent oscillation.
	<b>Operating Modes</b>	Press the <sup>M</sup> Mode Button to select from the below three modes.
	<b>Fan Mode</b>	Produces steady wind with three-speed settings. Adjust speed using the <sup>SPEED</sup> fan speed button or remote '+' buttons. <b>Note:</b> no lights will light up above the icon on the control panel when this mode is in effect.
	<b>Natural Mode</b>	Auto-cycles through two speeds to mimic natural airflow.
	<b>Sleep Mode</b>	This auto-cycles through fan speeds for a quiet and restful sleep. Two settings: <ul style="list-style-type: none"> <li>• <b>Setting 1:</b> Fan operates at speed 2 for 30 mins, then fan speed 1 continuously.</li> <li>• <b>Setting 2:</b> Fan operates at speed 3 for 30 mins, fan speed 2 for 30 mins, then fan speed 1 continuously.</li> </ul> Choose your desired setting by pressing the <sup>SPEED</sup> fan speed button on the control panel or the '+' buttons on the remote control. Setting 1 will be shown by the fan speed 1 icon lighting up, and setting 2 will be shown by the fan speed 2 icon lighting up.
	<b>Humidification Mode</b>	Humidification Mode can be activated in any of the modes above. When activated, the device will evaporate water from the water tank; reducing the temperature of the air to create a more refreshing experience in hot dry conditions. For an even cooler experience, add the ice packs (included) to the water tank. <ul style="list-style-type: none"> <li>• Before activating this mode, ensure there is sufficient water in the water tank as per the instructions in the 'FILLING THE WATER TANK' section.</li> <li>• Press the humidification button on the control panel or remote control to activate this mode.</li> <li>• When there is insufficient water in the tank, the humidification icon on the control panel will flash and a beep will sound.</li> </ul>
	<b>Timer Function</b>	In any mode you can schedule automatic on/off using the Timer Button on either the control panel or remote. <b>To set a turn-on timer:</b> <ol style="list-style-type: none"> <li>1. Plug in and turn on the power socket.</li> <li>2. Press the timer button and choose a 1-7 hour delay for the appliance to automatically power on.</li> <li>3. The control panel displays your selected timer duration for 1 minute, and then the display lights will turn off.</li> <li>4. To cancel the turn-on timer, press the power or timer buttons on the remote or control panel until no timer lights show.</li> </ol> <b>To set a turn-off timer:</b> <ol style="list-style-type: none"> <li>1. Ensure the appliance is plugged in and the power socket is turned on.</li> <li>2. Power on the appliance.</li> <li>3. Press the timer button and select a 1-7 hour delay for the appliance to automatically power off.</li> <li>4. The control panel displays your selected timer duration for 1 minute, and then the display lights will turn off.</li> <li>5. To cancel the turn-off timer, press the power or timer buttons on the remote or control panel until no timer lights show.</li> </ol>

## FILLING THE WATER TANK

For the humidification mode to function the water must be above the “min” mark on the water tank. Ensure fresh water is added to the water tank prior to every use.

### To fill the water tank:

1. Turn off the appliance and unplug it from the power socket.
2. Unclip the lock and pull the water tank out gently with both hands. **Caution: the water tank is connected to the device. Do not force the water tank out.**
3. On the base of the water tank, there is a clip that connects the filter to the tank. Turn the clip 90 degrees anticlockwise and disconnect the filter from the water tank.
4. Fill the water tank to the max line with fresh water.
5. Slowly push the water tank halfway back into the unit and re-attach the filter using the clip lock clockwise.
6. Push the water tank back into the unit and clip the lock back in place.

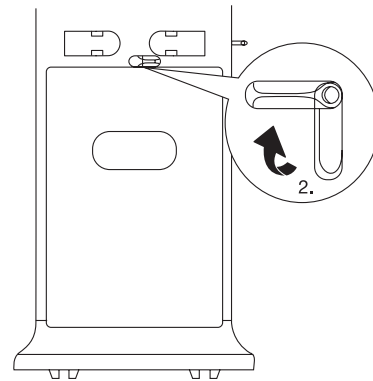
**Note:** For cooler air, simply add the refrigerated, or frozen, ice packs into the water tank.

### Notes:

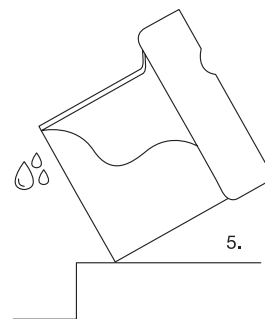
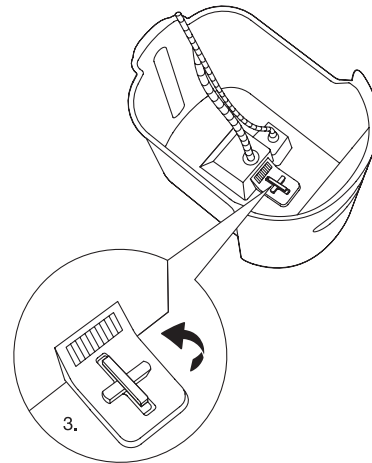
- If the water level is too low, the humidification indicator will continue to flash until the water tank has been refilled with water.
- Place the ice packs in a freezer for at least four hours prior to use.
- Do not fill the water tank over the max line or below the min line.

## EMPTYING THE WATER TANK

Due to the large capacity of the water tank it is recommended to run the appliance until the water level is at the min line prior to emptying the water tank.



(2,3: Filling the water tank)



(5: Emptying the water tank)

### To empty the tank:

1. Turn off the appliance and unplug it from the power socket.
2. Place a shallow tray underneath the water outlet to avoid water spilling onto the floor.
3. Unclip the lock and pull the water tank out gently with both hands. Caution: the water tank is connected to the device. Do not force the water tank out.
4. On the base of the water tank, there is a clip that connects the filter to the tank. Turn the clip 90 degrees anticlockwise and disconnect the filter from the water tank.
5. Empty the water tank into a sink, drain or other suitable area and dry with a clean, dry cloth.
6. Re-attach the filter, push the tank back into the device and clip the lock back in place.

## USING THE AROMA DIFFUSER

The aroma diffuser pod allows you to use essential oils to generate a scented mist. To use:

1. Remove the aroma diffuser tray underneath the oscillation fins.
2. Place two or three drops of your chosen essential oil on the aroma diffuser pad.
3. Replace the aroma diffuser tray underneath the oscillation fins.
4. Operate the appliance as normal.

## CLEANING AND STORAGE

**⚠ WARNING: ENSURE THE APPLIANCE IS SWITCHED OFF AND UNPLUGGED FROM THE ELECTRICAL OUTLET BEFORE HANDLING, FILLING WITH WATER OR CLEANING THE APPLIANCE.**

**⚠ CAUTION: DO NOT ALLOW WATER OR OTHER LIQUIDS TO RUN INTO THE INTERIOR OF THE APPLIANCE, AS THIS COULD CREATE A FIRE AND/OR ELECTRICAL HAZARD.**

**⚠ CAUTION: DO NOT USE ANY ABRASIVE CLEANERS OR SOLVENTS, AS THIS CAN DAMAGE THE APPLIANCE.**

- Do not attempt to clean the appliance in any other way than that detailed by the manufacturer.
- Cleaning and user maintenance shall not be made by children.
- Clean the vents and openings of the appliance regularly with a vacuum cleaner, using the brush attachment to avoid any dust build-up.
- Empty and clean the appliance before storage. Clean the

- appliance before next use.
- Clean the exterior surface of the appliance by wiping it with a soft, damp cloth. Dry the appliance with a soft, clean cloth.
- Always empty the water tank, clean and dry the appliance when not in use to prevent mould.
- Be aware that high humidity levels may encourage the growth of biological organisms in the environment.
- Do not permit the area around the appliance to become damp or wet. If dampness occurs, turn the output of the appliance down. If the appliance output volume cannot be turned down, use the appliance intermittently. Do not allow absorbent materials, such as carpeting, curtains, drapes, or tablecloths, to become damp.
- Unplug the appliance during filling and cleaning.
- Never leave water in the water tank when the appliance is not in use.
- Empty and clean the appliance before storage. Clean the appliance before next use.

#### **Cleaning the water tank:**

- Remove and empty the water tank as per the instructions above.
- Clean the water tank with warm tap water and mild detergent (e.g. washing up liquid). **Note:** Do not use boiling water to clean the water tank.
- Ensure to remove any scale or deposits that have formed inside the water tank.
- Wipe all surfaces dry before placing the water tank back into the appliance.

#### **Cleaning the honeycomb filter:**

1. Locate the Air Cooler's filter panel on the back of the unit.
2. Carefully unscrew the filter panel using an appropriate screwdriver.
3. Once the panel is removed, you will have access to the filter inside.

4. To clean the filter, follow these steps:
  - a. Gently detach the filter casing from the rear of the unit.
  - b. Take out the honeycomb evaporative filter positioned in front of the air filter casing.
  - c. Utilize a firm brush and/or a vacuum cleaner to thoroughly clean the air filter, removing any accumulated dust or debris.
  - d. For additional sanitation, place the filters outside under direct sunlight to help eliminate any remaining bacteria.
5. After cleaning, reassemble the air filter and honeycomb filter casing.
6. Carefully place the entire casing back into its original position on the rear of the unit.
7. Ensure that all screws are securely fastened to prevent any loose components. Note: While performing these steps, exercise caution and avoid tampering with the product or any of its components to prevent damage.




#### **Storage:**

- To store your product, we recommend using the original or a similar-sized box.
- Store the appliance in a safe, clean and dry place, away from direct sunlight and out of reach of children when not in use.



## RECYCLING AND DISPOSAL

Waste electrical and electronic products (WEEE), batteries, accumulators, and packaging should not be disposed of with general household waste. This is to prevent possible harm to the environment and human well-being, and to help conserve our natural resources. Most electrical products with a plug, battery, or cable can be recycled. Contact your local council, household waste disposal service, or the store where you purchased the product for information regarding the collection schemes in your area.

	<b>Waste Electrical and Electronic Equipment (WEEE)</b>	This symbol on the product and/or packaging indicates that Waste Electrical products (WEEE) under Directive 2012/19/EU which governs used electrical and electronic appliances, should not be disposed of with general household waste.
	<b>Waste Batteries and Rechargeable Batteries</b>	This symbol on the batteries supplied with your product indicates that Waste Batteries under Directive 2006/66/EC which governs used batteries and accumulators should not be disposed of with general household waste. If the battery contains more than 0.004% lead, the battery symbol will be accompanied by the letters (PB).
	<b>The Mobius Loop</b>	This symbol indicates that the product or packaging is capable of being recycled.

### Take-Back Scheme

Waste electrical products (WEEE) can be sent to One Retail Group for recycling and disposal when you purchase a new product from One Retail Group, on a like-for-like basis. For more information on how to recycle this product please visit [www.probreeze.com](http://www.probreeze.com)

The end-user of electrical and electronic products (WEEE) is responsible for separating old batteries and lamp bulbs before they are handed over to a designated disposal and recycling service. Waste batteries can also be disposed of in collection bins, which can be found in most local supermarkets and household waste recycling centres.





[www.probreeze.com](http://www.probreeze.com)

One Retail Group, Ryland House,  
24a Ryland Road, London, NW5 3EH, United Kingdom

EU Authorised Representative: Brandrep Limited, The Black Church,  
St Mary's Pl N, Dublin, D07 P4AX, Ireland

© Copyright 2024