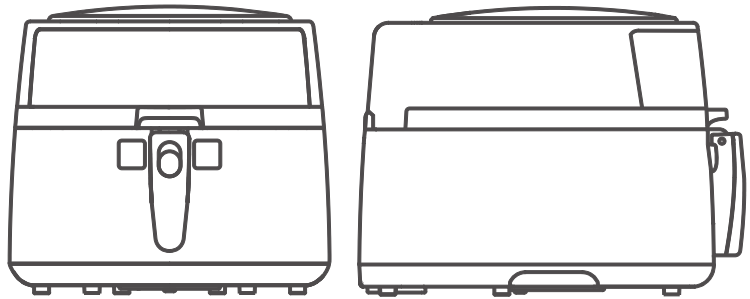


# *ProBreeze*<sup>®</sup>

## Instruction Manual



**Model AF-05**  
Digital Air Fryer

**IMPORTANT INSTRUCTIONS  
- RETAIN FOR FUTURE USE**

Thank you for choosing to purchase a product from Pro Breeze. Please read the entire manual carefully prior to first use and keep in a safe place for future reference.

### SAFETY INSTRUCTIONS



**WARNING:** Read all safety notices, instructions, illustrations, and technical data provided with this appliance.



**WARNING:** To avoid the risk of electrical shock, fire or injury to people, always make sure the appliance is unplugged from the electrical outlet before relocating, servicing, or cleaning it.



**CAUTION:** The appliance will become very hot during use and can cause burns. Do not touch heated parts of the appliance with bare skin during use or immediately after the appliance has been switched OFF. Allow the appliance to thoroughly cool down before handling or cleaning. Use oven gloves or oven mitts when handling hot components and surfaces.

- Use this appliance only as described in this manual. Any other use not recommended by the manufacturer may cause fire, electric shock, or injury to persons.
- The appliance is not to be used by persons (including children) with reduced physical, sensory or mental capabilities, or lack of experience and knowledge, unless they have been given supervision or instruction.
- Keep the appliance and its power supply cord out of the reach of children.
- Children must be supervised not to play with the appliance.
- Do not leave children alone or unattended in the area where the appliance is in use.
- Children younger than 8 years of age and animals must be kept away from the appliance and the connecting cable.
- Cleaning and user maintenance may not be performed by children, unless they are older than 8 years of age and are supervised.
- The appliance must have a minimum 20cm clearance around all sides of the appliance.
- The ventilation slots on the appliance must never be covered or blocked as this can cause the appliance to overheat.
- Do not place the appliance against a wall or other appliances.
- Do not operate the appliance under any surfaces, such as a kitchen cabinet.
- Always place the appliance on heat resistant mat or heat pad to prevent any potential damage to your worktop.
- Place the appliance on a dry, flat, stable, and heat-resistant surface. Never place the appliance on a soft surface. Operating the product in any other position could cause a hazard.
- Ensure the appliance is not located immediately below or next to a socket-outlet.
- Ensure the mains cable is fully extended before use and arrange it so that it is not in contact with any part of the appliance.
- Use the appliance in a well-ventilated area.
- This appliance is intended for indoor household use and similar applications. Do not use outdoors or in commercial or retail environments.
- Never leave the appliance unattended while in use. Always turn the appliance off and unplug from the mains power when not in use.
- Do not operate the appliance with wet hands.
- Do not cover the appliance during use as this can pose a fire hazard.
- Do not use the appliance near flammable materials, substances, petrol, paints, flammable gases, ovens, or other heating sources.
- Do not place anything on top of the appliance.
- Do not use sharp or abrasive items. Use only heat resistant plastic or wooden spatulas to avoid damaging the surfaces of accessories supplied.
- Do not pour any liquids (e.g. oil or water) directly into the appliance or the drawer or place a liquid-filled vessel into the appliance. It works exclusively with hot air.
- Do not place any other tools or accessories in the appliance, other than the ones supplied.
- During use, hot steam can be released through the air outlet vents. Keep your hands and face at a safe distance from the steam and the air outlet openings. Avoid steam from the air outlets coming into close contact with other appliances or surfaces during air frying.
- Never insert fingers or metal objects into the vents and openings of the appliance.
- Do not push any objects in the air inlet and outlet grills as this may cause an electric shock, fire or damage the appliance.
- Always plug the appliance directly into a wall socket. Do not use any extension cables.
- To avoid a circuit overload when using this appliance, do not operate another high-wattage appliance on the same electrical circuit.
- Do not pull on the mains cable. Never move, carry, or hang the appliance by the mains cable.
- Do not operate this appliance with an external timer or separate remote-control system.
- Do not operate the appliance if there are signs of damage to the appliance, power cord, or any of the accessories.
- If the supply cord is damaged, it must be replaced by the manufacturer, its service agent, or a similarly qualified person to avoid a hazard.
- Do not attempt to repair or adjust any electrical or mechanical elements in the appliance. Doing so may be unsafe and will void your warranty.

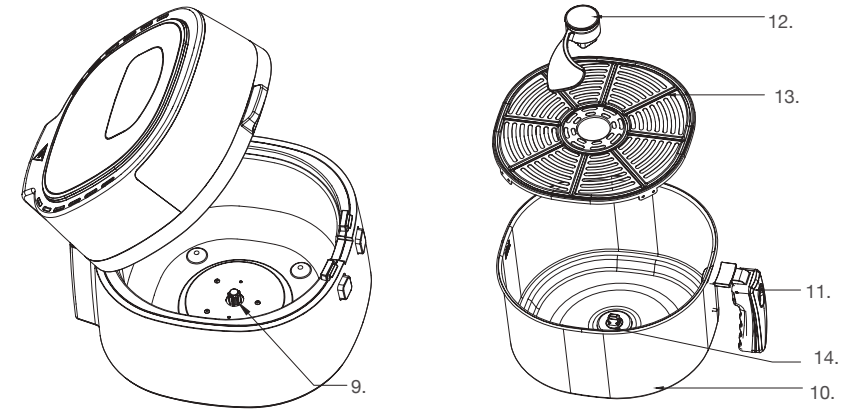
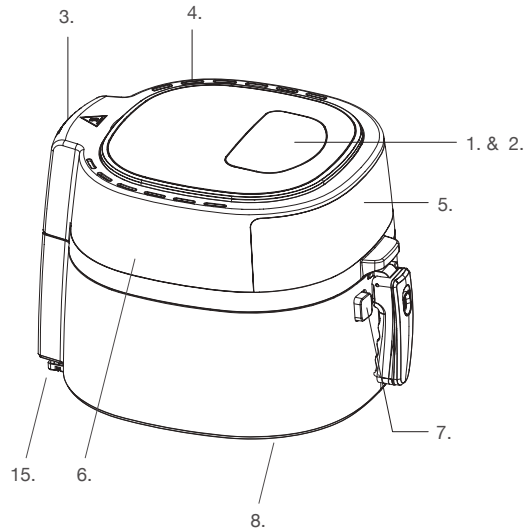
- Ensure that the mains power supply (including voltage, frequency, and power) complies with the rating label of the appliance.
- Do not kink or wrap the power cord and plug around the appliance, as this may cause the insulation to weaken or split, particularly where it enters the appliance.
- Make sure that the connected mains cable does not present a trip hazard. The mains cable may not hang down from the surface on which the appliance is placed in order to prevent the appliance from being pulled down.

## SPECIFICATION

Model:	AF-05
Voltage:	220-240V~
Frequency:	50-60Hz
Power:	1800W
Product Dimensions:	L39.7 x W33 x H29.7cm
Net Weight:	6.5 KG

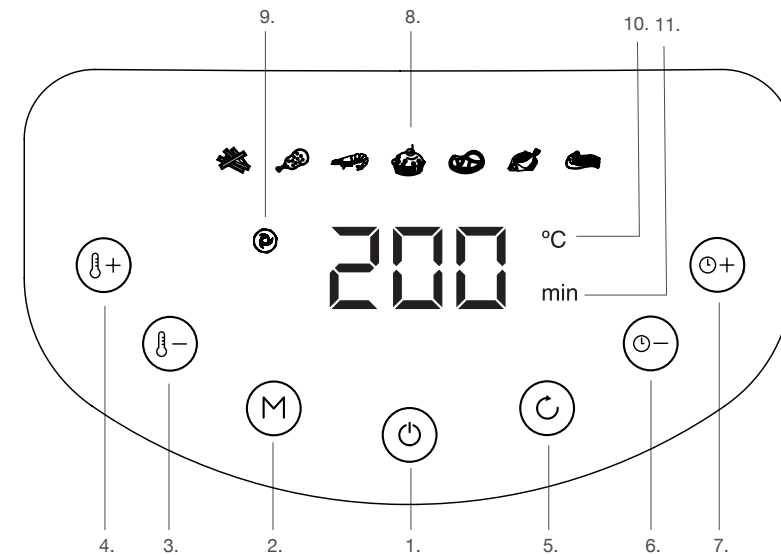
## PARTS

1. Control panel
2. Digital display
3. Air inlet
4. Air outlet
5. Transparent Window
6. Spring lid
7. Spring lid open button
8. Suction cup
9. Spindle
10. Frying pot
11. Foldable pot handle
12. Stirring paddle
13. Food rack
14. Paddle key
15. Power cable



## CONTROL PANEL

1. On/Off button
2. Pre-set mode selection button
3. Temperature decrease button
4. Temperature increase button
5. Stir mode button
6. Time decrease button
7. Time increase button
8. Cooking pre-sets
9. Fan indicator
10. Temperature indicator
11. Timer indicator



## BEFORE FIRST USE

---

- Read all the 'Safety Instructions' listed in this manual prior to first use.
- Remove the air fryer from the box and put it on flat surface.
- Push the spring lid open button to open the lid and remove all packaging materials and accessories from the air fryer.
- Thoroughly wash the frying pot, food rack and stirring paddle with warm, soapy water, then rinse and dry thoroughly.
- Do not immerse the air fryer main unit in water or any other liquid.
- Do not use harsh or abrasive cleaning detergents or scouring sponges to clean the air fryer or its parts as this could cause damage.
- Place the air fryer on a flat, stable, heat resistant surface.
- Place the air fryer on a heat resistant mat or heat pad to prevent any potential damage to your worktop.
- Do not operate the appliance under any surfaces, such as a kitchen cabinet.
- Do not place the appliance against a wall or other appliances.
- The appliance must have a minimum 20cm clearance around all sides. We recommend a 30cm clearance around the back side of the appliance.

## YOUR AIR FRYER IS NOW READY FOR USE!

## OPERATING INSTRUCTIONS

---

1. Place the air fryer on a flat, stable, heat resistant surface.
2. Insert the power plug into a power socket.
3. Push the spring lid open button to open the lid. Put the food rack into the frying pot.
4. Attach the stirring paddle to the paddle key if stirring function is required.
5. Close the spring lid and press the On/Off button.
6. Press the temperature increase and decrease buttons to set the desired cooking temperature.
7. Pre-heat the air fryer by pressing the time decrease button until five minutes are set. Press the On/Off button to begin the pre-heating.
8. During pre-heating the temperature indicator, and timer indicator will illuminate.
9. When the timer reaches 0, you will hear a beeping sound. Carefully open the spring lid and remove the frying pot by unfolding the handle and pulling gently. Place it on a flat, stable, heat resistant surface.

10. Place the ingredients into the non-stick frying pot and then reinsert the frying pot into the pre-heated air fryer.
11. Fold the frying pot handle and close the lid.
12. Press the On/Off button.
13. Select the appropriate temperature and timer settings for the ingredients using the temperature and timer increase and decrease buttons. See the cooking guide for further information. Alternatively press the pre-set mode selection button to cycle through and select one of the seven cooking pre-sets.
14. Press the On/Off button to begin cooking. During cooking the heating indicator and fan indicator will illuminate.
15. For ingredients that needs stirring, press the stir mode button to continuously stir the ingredients. Press stir mode button again to stop stirring function.
16. When the timer reaches 0 the same beeping will sound and the automatic switch-off will turn the air fryer off. Carefully open the spring lid and remove the frying pot by unfolding the handle and pulling gently. Place it on a flat, stable, heat resistant surface.
17. If the food is cooked remove from the frying pot and serve.
18. If the food requires further cooking, reinsert the frying pot into the air fryer and set the timer for a few extra minutes. Keep checking back until you are happy with the result.

### NOTE

- If the temperature or time needs to be adjusted during use, simply use the temperature and time increase and decrease buttons as required and the air fryer will automatically adjust.
- Once the timer comes to an end, the internal fan will continue to operate for 10 seconds to cool the air fryer down.

## COOKING GUIDE

**Note:** This is a cooking guideline only and cooking should always be monitored.

### Potatoes and Chips

Food	Amount (g)	Time (Min)	Temperature (°C)
Thin frozen chips	300 - 600	16-18	200
Thick frozen chips	300 - 600	18-20	200
Homemade chips	300 - 600	18-25	200
Homemade potato wedges	300 - 600	18-25	180

### Meat and Poultry

Food	Amount (g)	Time (Min)	Temperature (°C)
Steak	100 - 500	8-15	160
Lamb chops	100 - 500	15-20	180
Pork chops	100 - 500	18-20	180
Hamburger	100 - 500	18-20	180
Chicken breast	100 - 500	15-25	200
Chicken wings	100 - 500	20-25	180
Frozen chicken nuggets	100 - 500	10-15	200

### Fish

Food	Amount (g)	Time (Min)	Temperature (°C)
Fish	100 - 500	15-25	180
Frozen fish fingers	100 - 500	10-20	180

### Baking and Cakes

Food	Amount (g)	Time (Min)	Temperature (°C)
Quiche	300	20-22	180
Cake	300	20-25	160

**NOTE:** Use baking tin or other baking container when baking.

## CLEANING, MAINTENANCE & STORAGE



**WARNING:** Always turn the appliance OFF, unplug the power cord from the electrical outlet and allow the appliance to completely cool down before handling, cleaning or storing.

**CAUTION:** Do not immerse the appliance in water or any other liquid. Do not allow water or other liquids to run into the interior of the appliance, as this could create a fire and/or electrical hazard. Do not use any toxic, corrosive, or abrasive cleaning agents or scouring sponges to clean the appliance or the accessories supplied. These can damage the surface. Do not spray cleaning agents directly onto or into the appliance.

1. Clean the air fryer after each use.
2. Remove the frying pot from the air fryer.
3. Ensure the frying pot is empty and take the food rack and the stirring paddle out of the frying pot.
4. Clean the frying pot, the rack and the paddle with warm water and a mild detergent. Allow the frying pot, the rack and the paddle to soak in warm water with mild detergent for 15 minutes. Remove any food residue with a soft sponge. **Do not use scouring sponges as this will damage the non-stick coating.**

**Note:** The frying rack is dishwasher safe.

5. Clean the exterior surface of the appliance by wiping it with a soft, damp cloth. Dry the appliance with a soft clean cloth.
6. Allow all parts to dry completely before reassembling the appliance for use or prior to storage.
7. Check the mains cable regularly for any damage.
8. To store your product, we recommend using the original or similar size box.
9. Do not kink or wrap the power cord and plug around the appliance, as this may cause the insulation to weaken or split, particularly where it enters the appliance.
10. Store the appliance and all accessories in a safe, clean, frost free, dry place at temperatures of between 0 and 40°C, out of reach of children and direct sunlight when not in use.

## **RECYCLING & DISPOSAL**

Waste electrical and electronic products (WEEE), batteries, accumulators and packaging should not be disposed of with general household waste. This is to prevent possible harm to the environment and human well-being, and to help conserve our natural resources. Most electrical products with a plug, battery, or cable can be recycled. Contact your local council, household waste disposal service, or the store where you purchased the product for information regarding the collection schemes in your area.

### **Waste Electrical and Electronic Equipment (WEEE)**

This symbol on the product and/or packaging indicates that Waste Electrical products (WEEE) under Directive 2012/19/EU which governs used electrical and electronic appliances, should not be disposed of with general household waste.



### **The Mobius Loop**

This symbol indicates that the product or packaging is capable of being recycled.



### **Take-Back Scheme**

Waste electrical products (WEEE) can be sent to One Retail Group for recycling and disposal when you purchase a new product from One Retail Group, on a like-for-like basis. For more information on how to recycle this product please visit [www.probreeze.com](http://www.probreeze.com)

The end-user of electrical and electronic products (WEEE) is responsible for separating old batteries and lamp bulbs before they are handed over to a designated disposal and recycling service. Waste batteries can also be disposed of in collection bins, which can be found in most local supermarkets and household waste recycling centres.



[www.probreeze.com](http://www.probreeze.com)

One Retail Group, Ryland House  
24a Ryland Road, London, NW5 3EH, United Kingdom

EU Authorised Representative: Brandrep Limited, The Black Church  
St Mary's Pl N, Dublin, D07 P4AX, Ireland

© Copyright 2022

