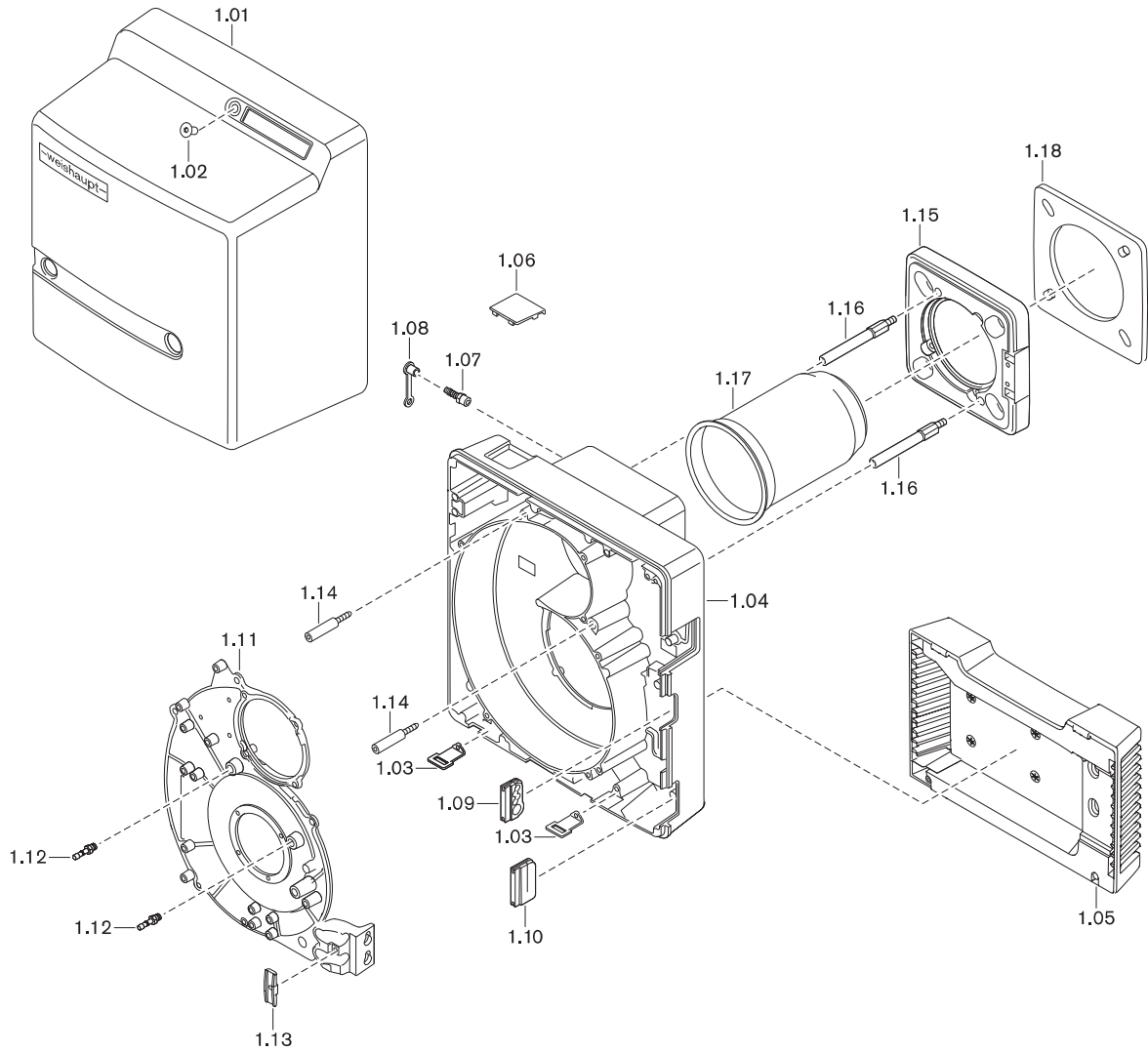


13 Spares

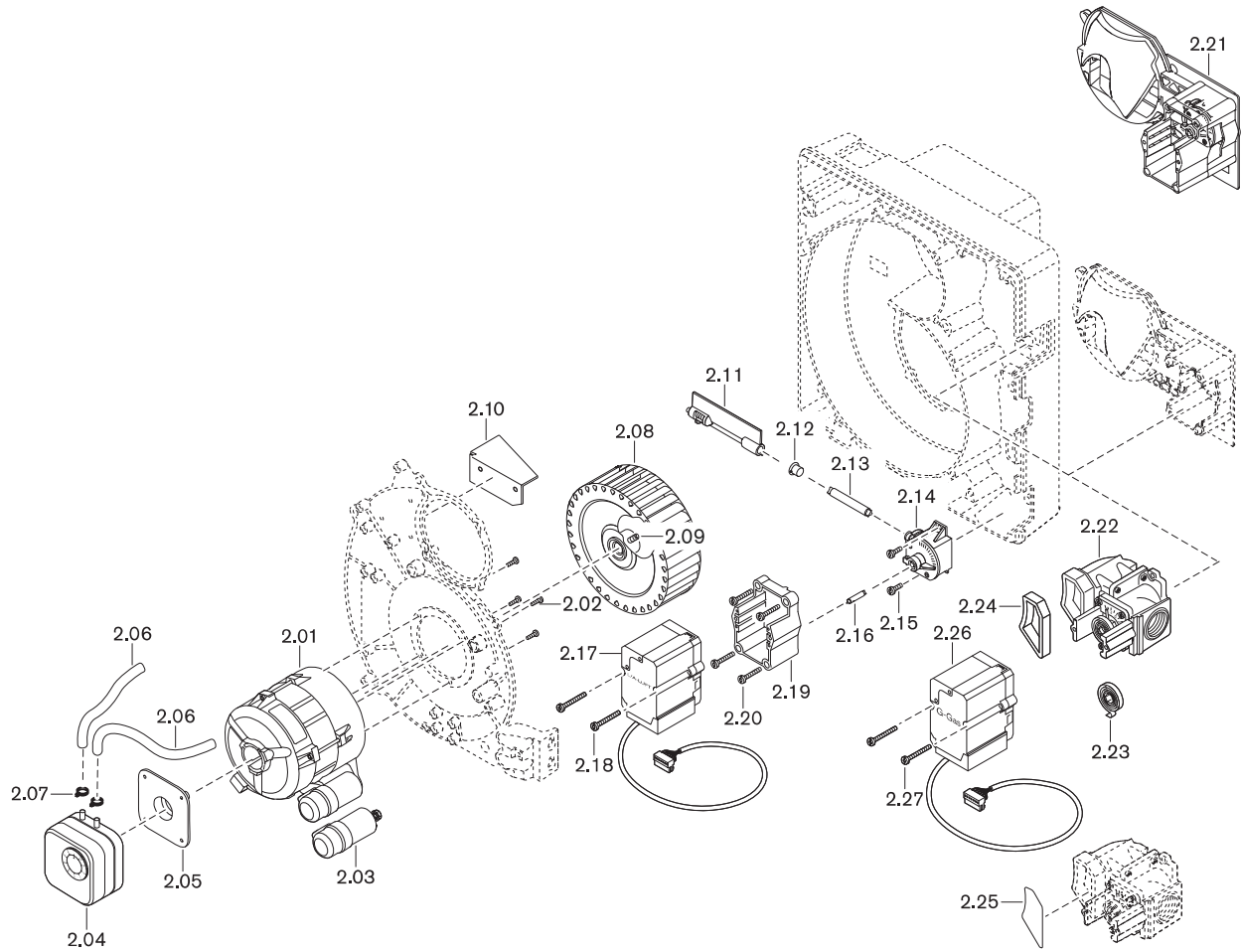
13 Spares



Pos.	Description	Order No.
1.01	Cover	232 210 01 112
1.02	Screw M8 x 16 DIN 7991	404 412
1.03	Mounting bracket for cover	241 400 01 207
1.04	Burner housing	241 210 01 012
1.05	Intake housing complete	241 210 01 082
	– Screw 4 x 30 Torx-Plus	409 325
1.06	View port on hours counter cover	241 210 01 197
1.07	Threaded socket R $\frac{1}{8}$ GES6	453 017
1.08	Protective cap DN 6 SELF 50/2 CF	232 300 01 047
1.09	Grommet for connection cable	241 200 01 247
1.10	Grommet	241 400 01 177
1.11	Housing cover	241 210 01 227
1.12	Threaded socket R $\frac{1}{8}$ GES4	453 004
1.13	Bracket for cable	241 400 01 367
1.14	Screw M8 burner housing	241 310 01 257
1.15	Burner flange	241 210 01 057
	– Screw M8 x 30 DIN 912	402 517
	– Washer 8.4 DIN 433	430 504
1.16	Stay bolt for burner flange	241 310 01 247
1.17	Flame tube WG20-C	
	– Standard	232 210 14 122
	– extended by 100 mm*	230 210 14 012
	– extended by 200 mm*	230 210 14 022
	– extended by 300 mm*	230 210 14 032
1.18	Flange gasket	241 210 01 107

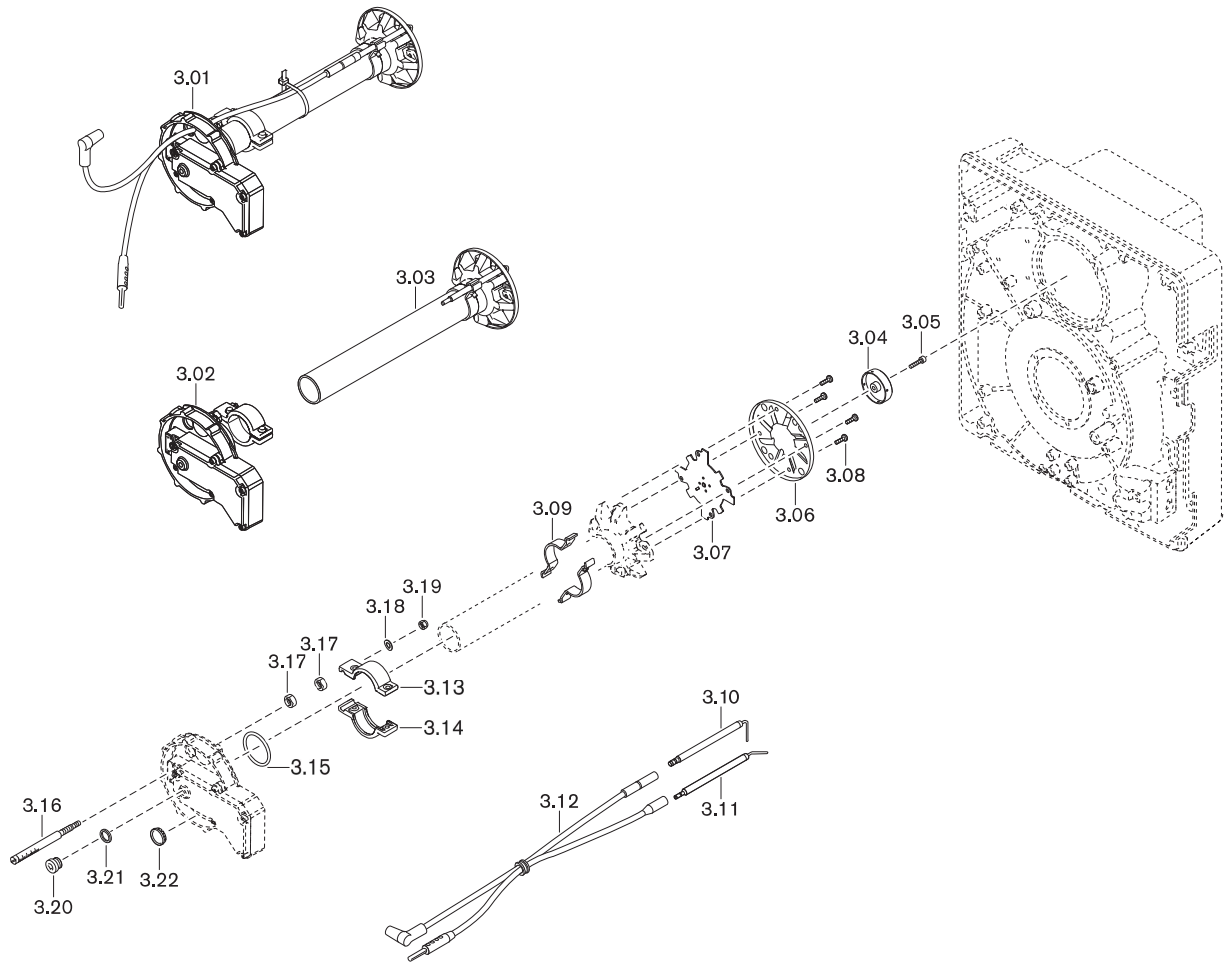
* Only in conjunction with combustion head extension.

13 Spares



Pos.	Description	Order No.
2.01	Motor ECK04/A-2 230 V / 50 Hz	652 084
2.02	Screw M5 x 12	409 278
2.03	Capacitor set	713 476
2.04	Pressure switch LGW 10 A2 1 - 10 mbar	691 370
2.05	Connection flange for LGW	605 243
2.06	Hose 4.0 x 1.75 190 mm	232 050 24 057
2.07	Hose clamp 7.5	790 218
2.08	Fan wheel TLR-S 160 x 61.6-L-E S1 50 Hz	241 210 08 032
2.09	Grub screw M8 x 8 w. an. cutter	420 550
2.10	Air guide	232 210 01 147
2.11	Air damper complete	241 210 02 022
2.12	Bearing for air damper shaft	241 110 02 107
2.13	Shaft air damper - angle drive	241 210 02 057
2.14	Angle drive	241 110 02 062
2.15	Screw 4 x 12 Torx-Plus Remform	409 320
2.16	Shaft angle drive - actuator	241 400 02 157
2.17	Air actuator STE 4.5 24 V	651 103
2.18	Screw 4 x 35 Combi-Torx-Plus Remform	409 355
2.19	Frame for actuator	241 210 02 037
2.20	Screw 4 x 30 Torx-Plus Delta PT	409 325
2.21	Air regulator spring 2	241 210 02 072
2.22	Gas butterfly valve	232 210 25 020
2.23	Spring 2	241 400 02 167
2.24	Seal connection channel	232 210 25 087
2.25	Blanking plate valve proving	232 210 26 172
2.26	Gas actuator STE 4.5 24 V	651 101
2.27	Screw M4 x 30 Torx-Plus metric	409 245

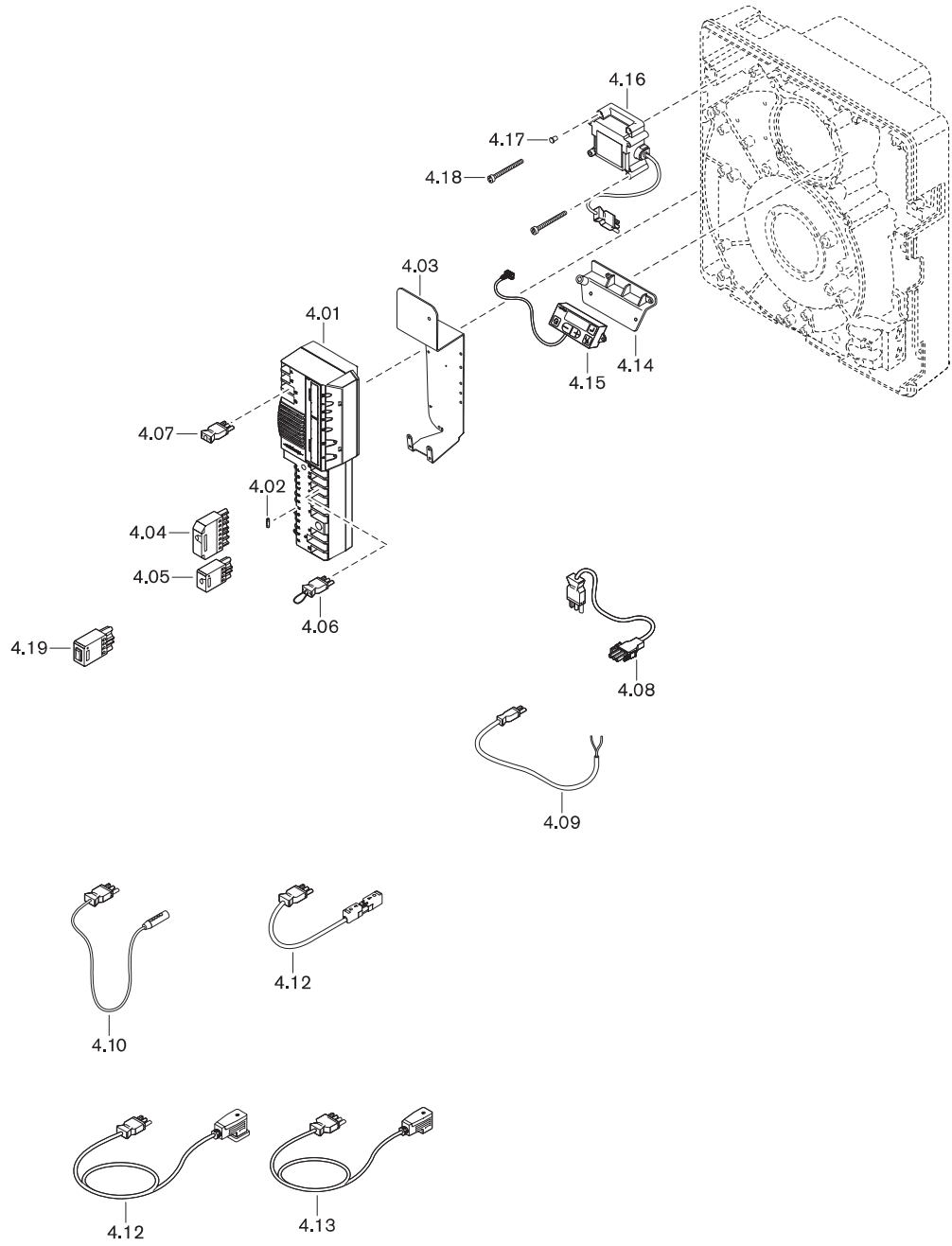
13 Spares



Pos.	Description	Order No.
3.01	Mixing head WG20N/1-C cpl. (Natural Gas)	
	– Standard	232 210 14 052
	– extended by 100 mm*	230 210 14 072
	– extended by 200 mm*	230 210 14 082
	– extended by 300 mm*	230 210 14 092
	Mixing head WG20F/1-C cpl. (LPG)	
	– Standard	233 210 14 012
	– extended by 100 mm*	230 210 14 132
	– extended by 200 mm*	230 210 14 142
	– extended by 300 mm*	230 210 14 152
3.02	Lock housing complete	232 210 14 022
3.03	Mixing tube WG20N/1-C cpl. (Natural Gas)	
	Ø internal 32 mm	
	– Standard	232 210 14 082
	– extended by 100 mm*	230 210 14 042
	– extended by 200 mm*	230 210 14 052
	– extended by 300 mm*	230 210 14 062
	Mixing tube WG20F/1-C cpl. (LPG)	
	Ø internal 18 mm	
	– Standard	233 210 14 022
	– extended by 100 mm*	230 210 14 102
	– extended by 200 mm*	230 210 14 112
	– extended by 300 mm*	230 210 14 122
3.04	Nozzle element	232 200 14 467
3.05	Screw M4 x 16 Torx-Plus 20IP	409 224
3.06	Diffuser 36 x 95	232 200 14 417
3.07	Nozzle insert	232 200 14 397
3.08	Screw M4 x 8 Torx-Plus 20IP	409 235
3.09	Bracket for electrodes	232 200 14 437
3.10	Ignition electrode isolator 6 x 80	232 200 14 217
3.11	Sensor electrode	232 100 14 207
3.12	Ignition and sensor cable	
	– 380 mm (Standard)	232 110 11 032
	– 480mm (for 100 mm extension)*	230 110 11 082
	– 600mm (for 200 mm extension)*	232 310 11 042
	– 700mm (for 300 mm extension)*	232 400 11 042
3.13	Carrier	232 200 14 037
3.14	Carrier	232 200 14 047
3.15	O ring 32 x 3 NBR70 ISO 3601	445 095
3.16	Adjusting screw	232 210 14 047
3.17	Hexagonal nut M8 left DIN 934 -8	411 413
3.18	Spring washer A5 DIN 137	431 613
3.19	Hexagonal nut M5 DIN 985	411 203
3.20	Screw G½A DIN 908	409 004
3.21	Sealing ring 10 x 13.5 x 1.5 DIN 7603	441 033
3.22	View port glass	241 400 01 377

* Only in conjunction with combustion head extension.

13 Spares



Pos.	Description	Order No.
4.01	Combustion manager W-FM 25 / 230 V	
	– intermittent operation without O ₂ trim	600 487
	– intermittent operation with O ₂ trim	600 491
	– continuous operation (PO-O ₂)	600 489
4.02	Micro fuse T6.3H, IEC 127-2/5	483 011 22 457
4.03	Bracket without carrier rail	232 110 12 017
4.04	Plug unit ST18/7	716 549
4.05	Plug unit ST18/4	716 546
4.06	Bridging plug No. 7	241 400 12 042
4.07	Bridging plug No. 15	232 110 12 082
4.08	Plug cable No. 3 motor	241 050 12 062
4.09	Plug cable No.11 air pressure switch	232 110 12 032
4.10	Ionisation cable No. 13	232 310 12 012
4.11	Plug cable No. 14 remote reset	230 110 12 362
4.12	Plug cable No.12 gas pressure switch	232 050 12 022
4.13	Plug cable No. 5 W-FM, DMV	232 400 12 012
4.14	Fixing bracket	241 400 12 017
4.15	ABE for W-FM 20 / 25 with 0.58 m cable	600 481
4.16	Ignition unit type W-ZG01V 230 V 100 VA	603 221
4.17	Closing plug for ignition unit	603 224
4.18	Screw M4 x 42 Combi-Torx-Plus 20IP	409 260
4.19	Plug-in switch ST18/4	130 103 15 012