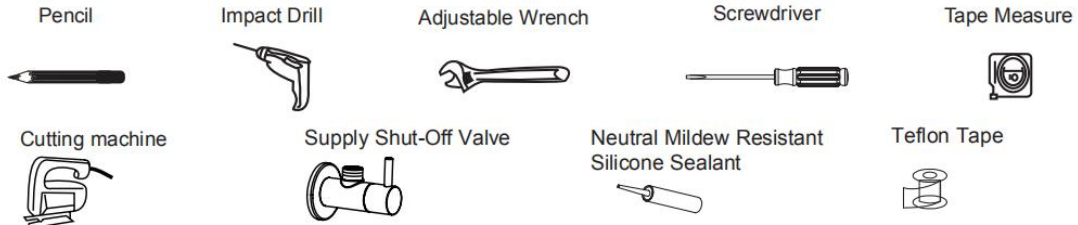


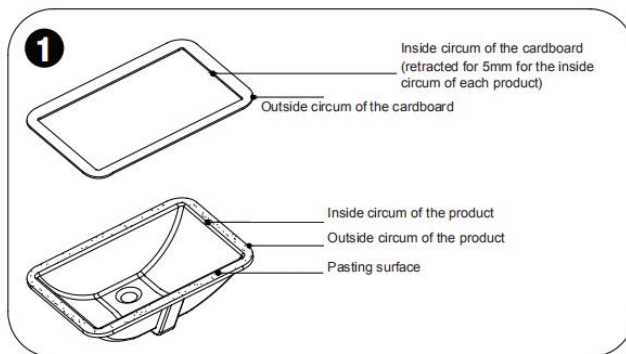
Under mount basin

INSTALLATION INSTRUCTIONS

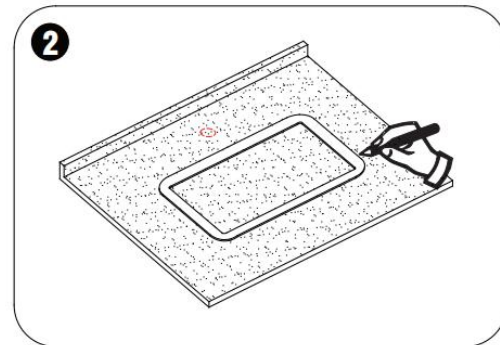
A HELPFUL TOOLS



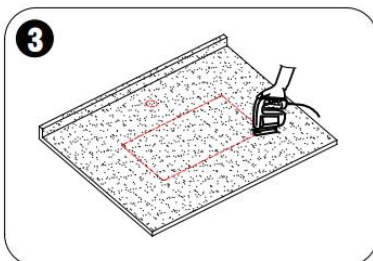
B INSTALLATION PROCEDURES



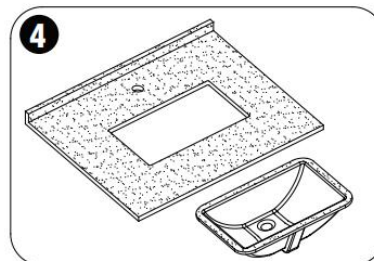
Make the cardboard mold according to the pasting surface of the basin.



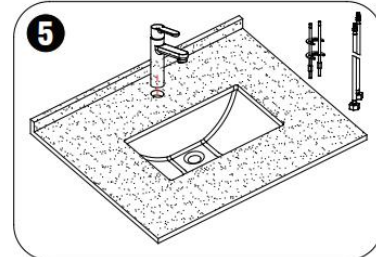
Place the cardboard mold on the counter, and determine the installation positions for the faucet and basin according to the installation requirements for the supporting faucet. Use a pencil to draw the auxiliary line.



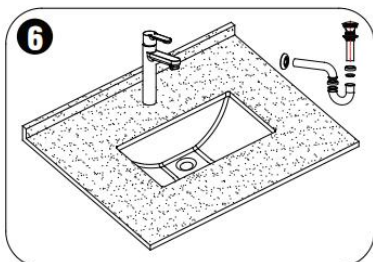
Use the cutting machine or electric drill to make holes along the auxiliary line, and sand the edge of the holes.



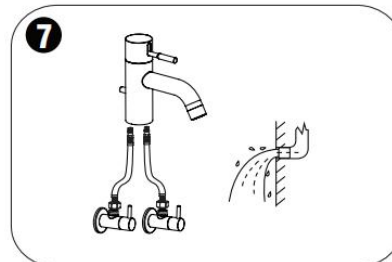
Use the cutting machine or electric drill to make holes along the auxiliary line, and sand the edge of holes. Place the cardboard mold to the bottom of the counter, use a pencil to draw the auxiliary line. Apply special glue water on the contact area of the basin and counter, and then paste the basin along the auxiliary line with tightness (let it dry for 24 hours).



Install the faucet and its components.



Install a lever faucet on the basin. Install the faucet and its components.



Connect the water supply pipe to the faucet, and carefully bend the pipe to make it match the water supply shut-off valve. Ensure the pipe is sealed. (Always wash the sediments in the water supply pipe away before connecting the **angle stops**

Remark:

This installation instruction may be suitable for any of Topcraft undermount basin.