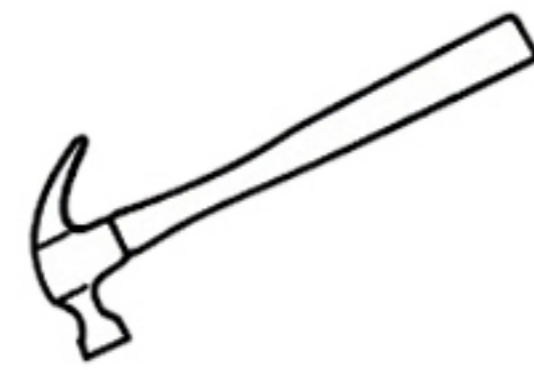


# Installation Instructions

## HELPFUL TOOLS:



Electric Drill



Hammer



Allen key



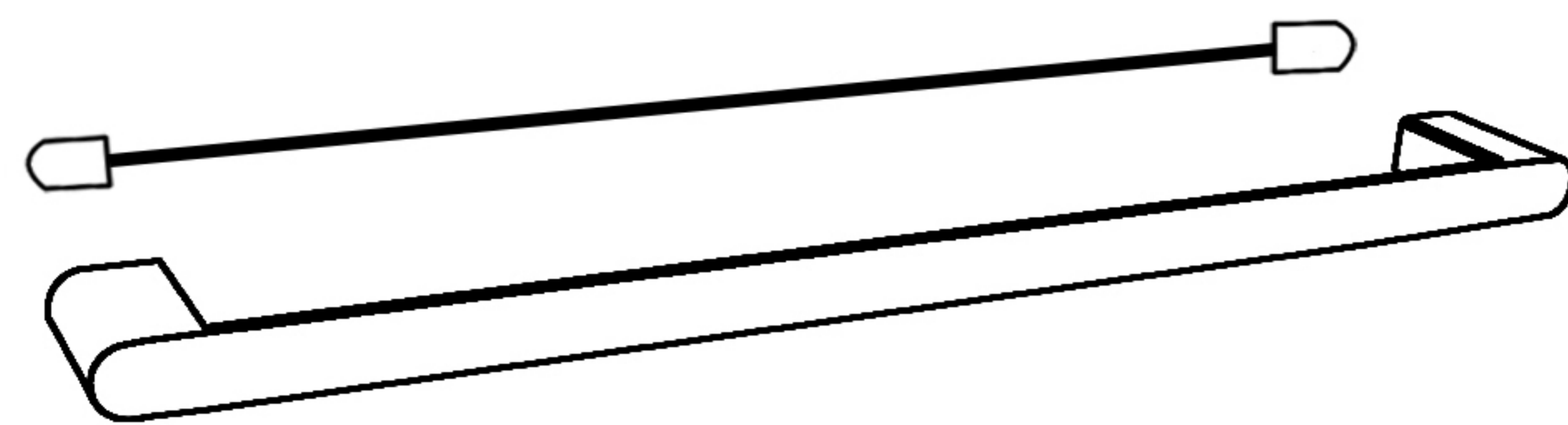
Philips  
Screwdriver



Pencil

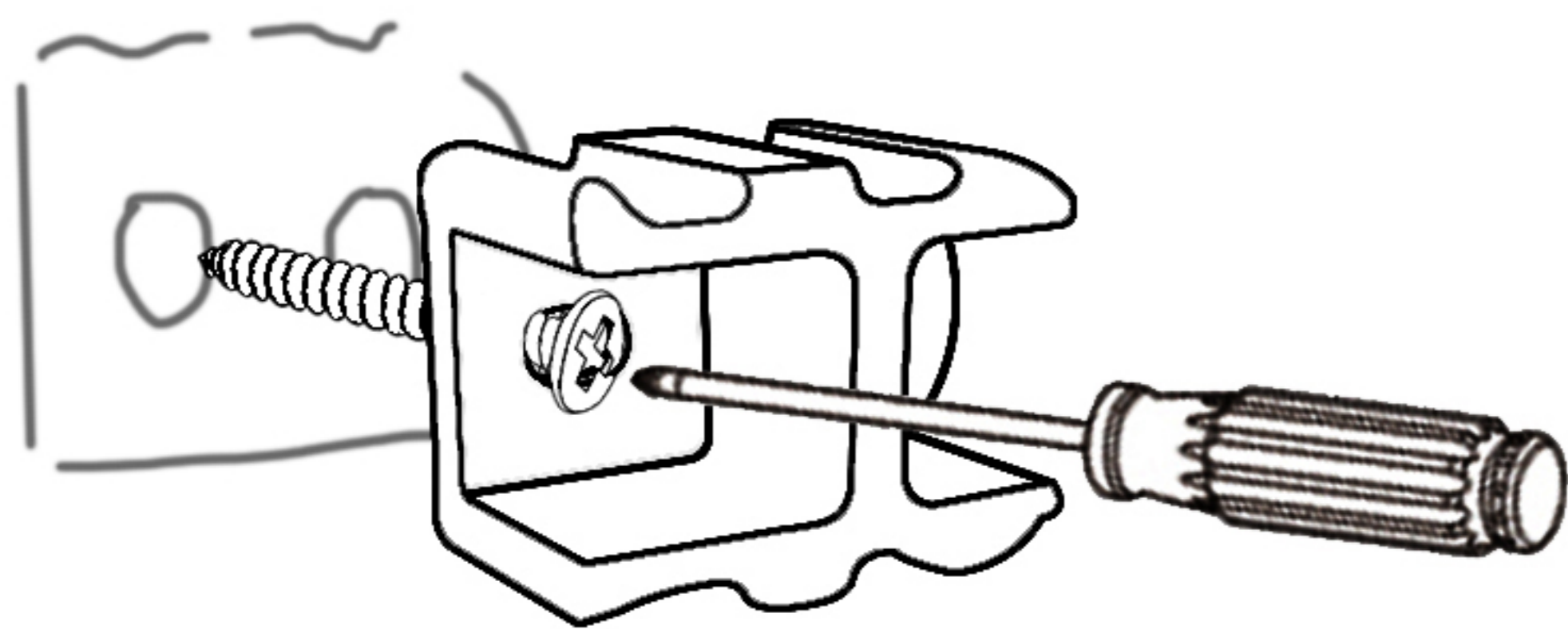


Tape Measure



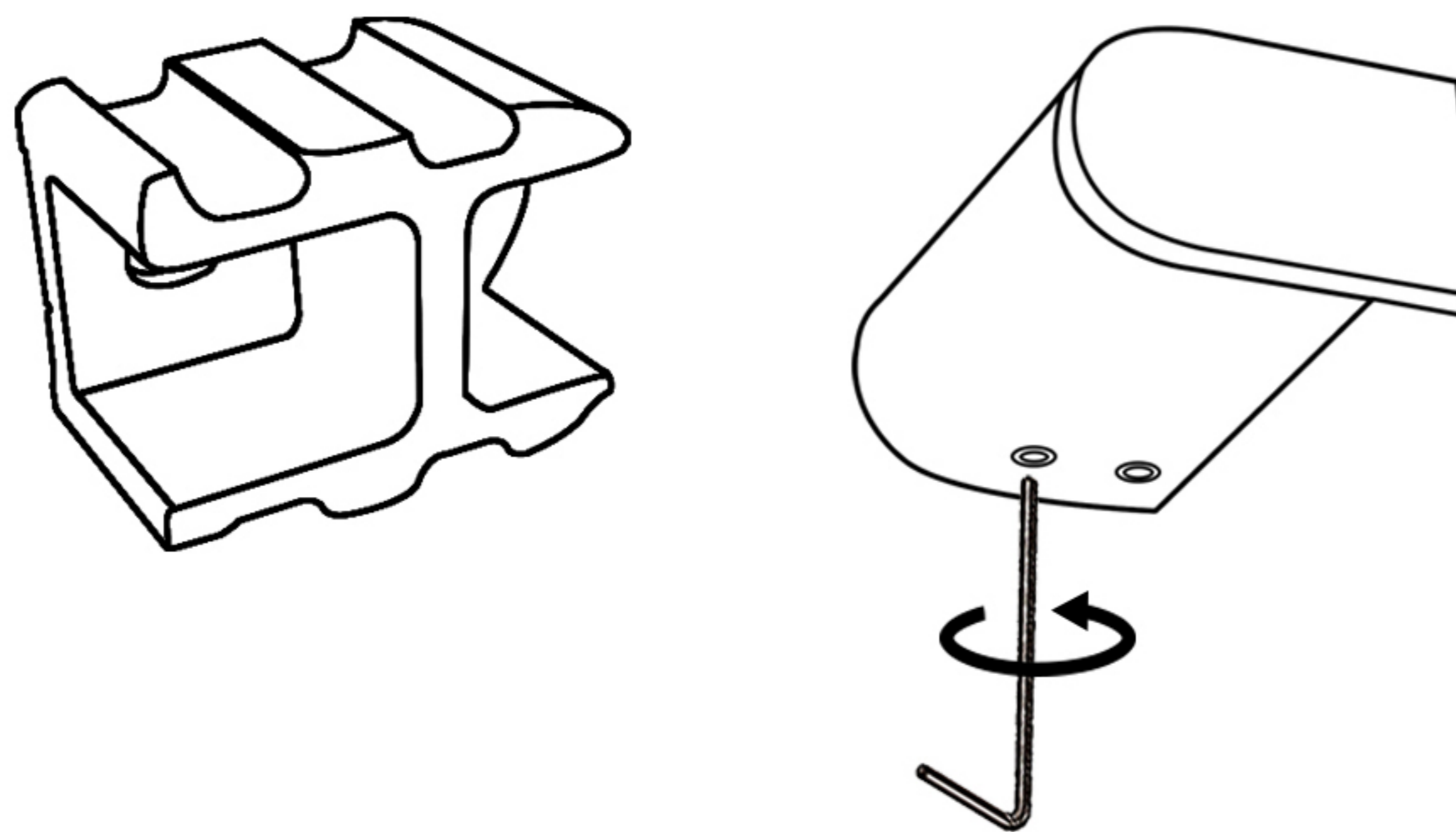
### Step 1: Mark Position

- A. Measure and mark base position and centerline for mounting bracket installation. (For towel bar)
- B. Mark base position for mounting bracket installation. (For other 3-piece accessory)



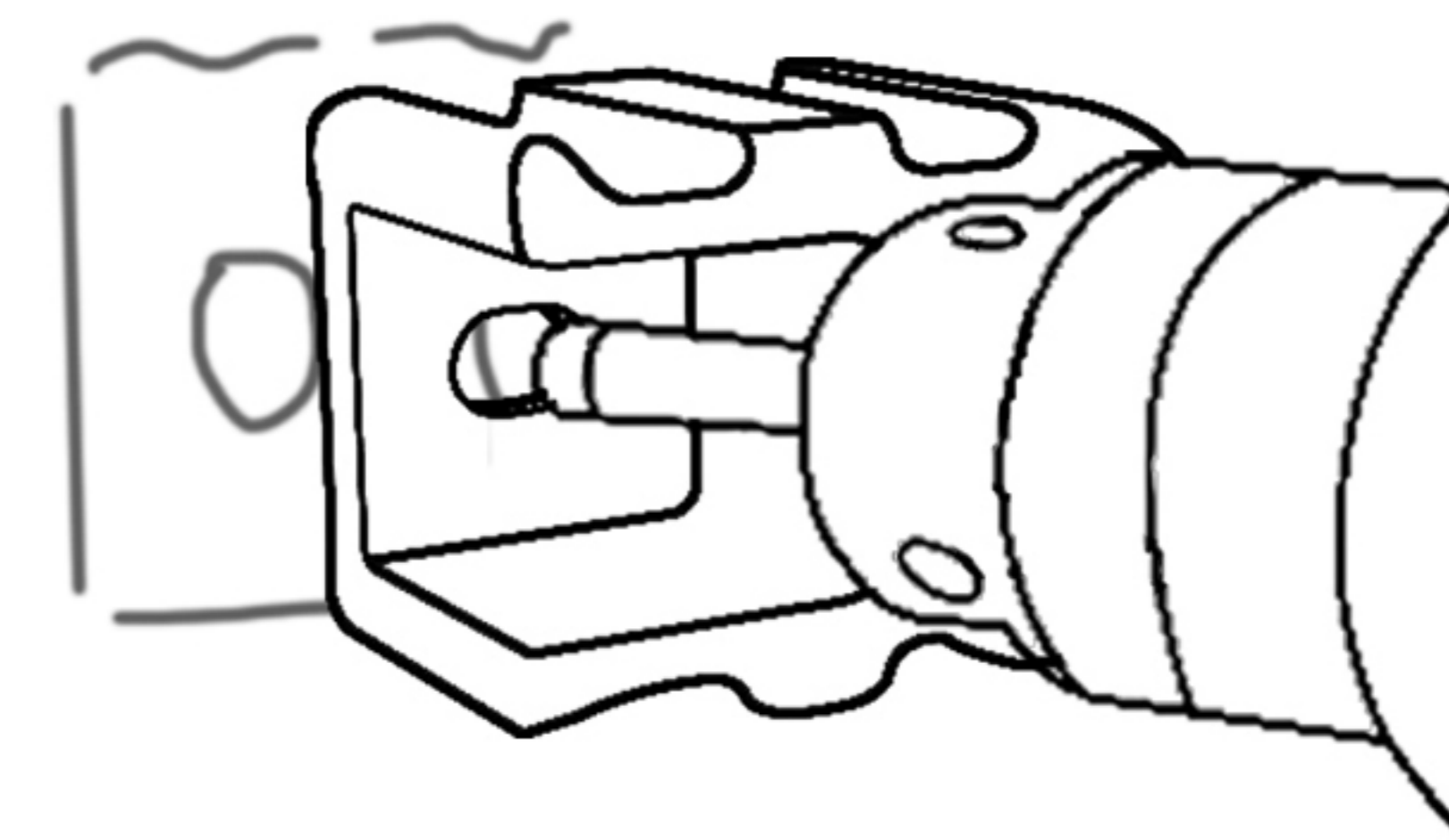
### Step 4: Screw Brackets

With mounting brackets in position, secure to wall using screws.



### Step 2: Remove mounting bracket

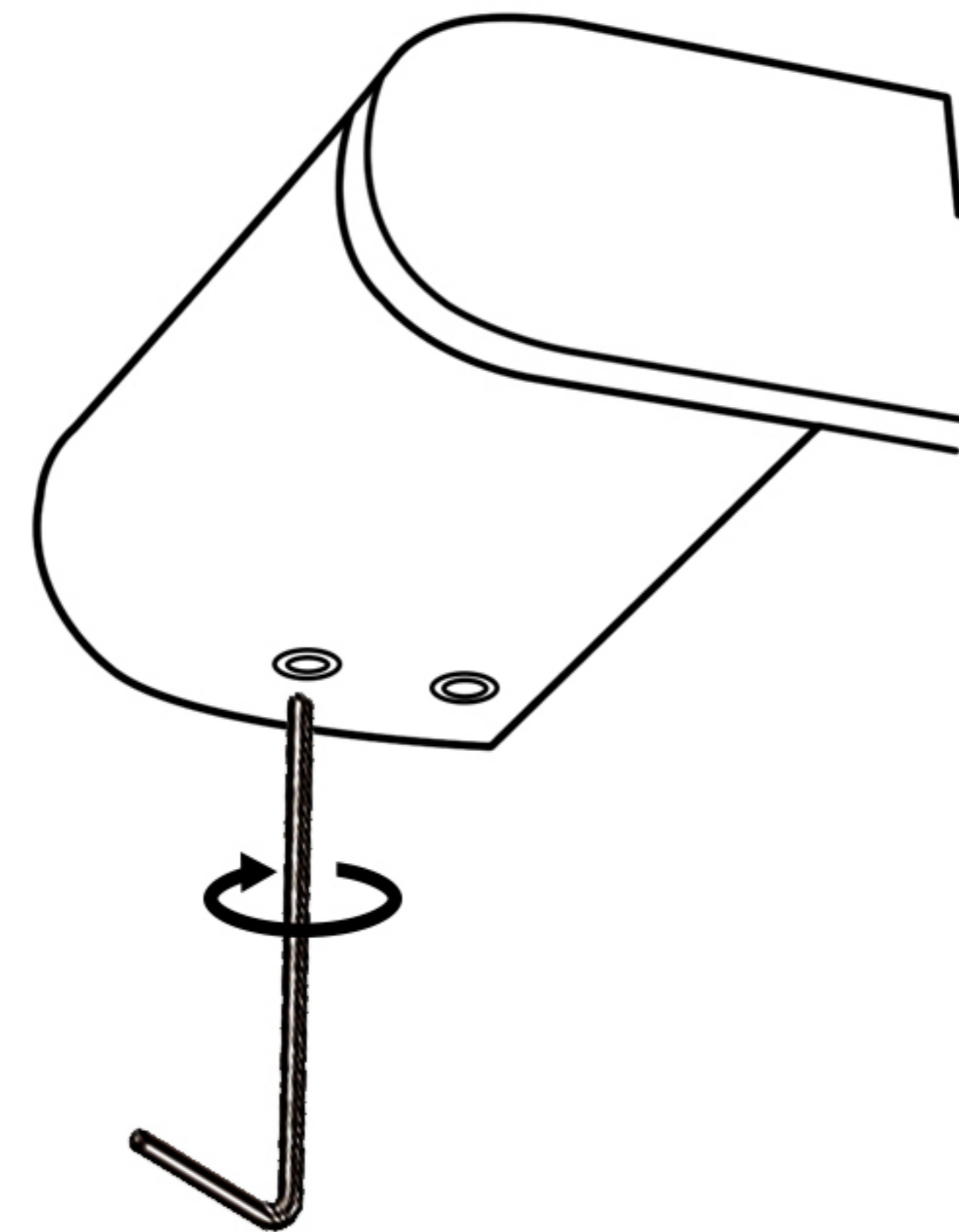
Remove mounting bracket with Allen key from accessory.



Electric Drill

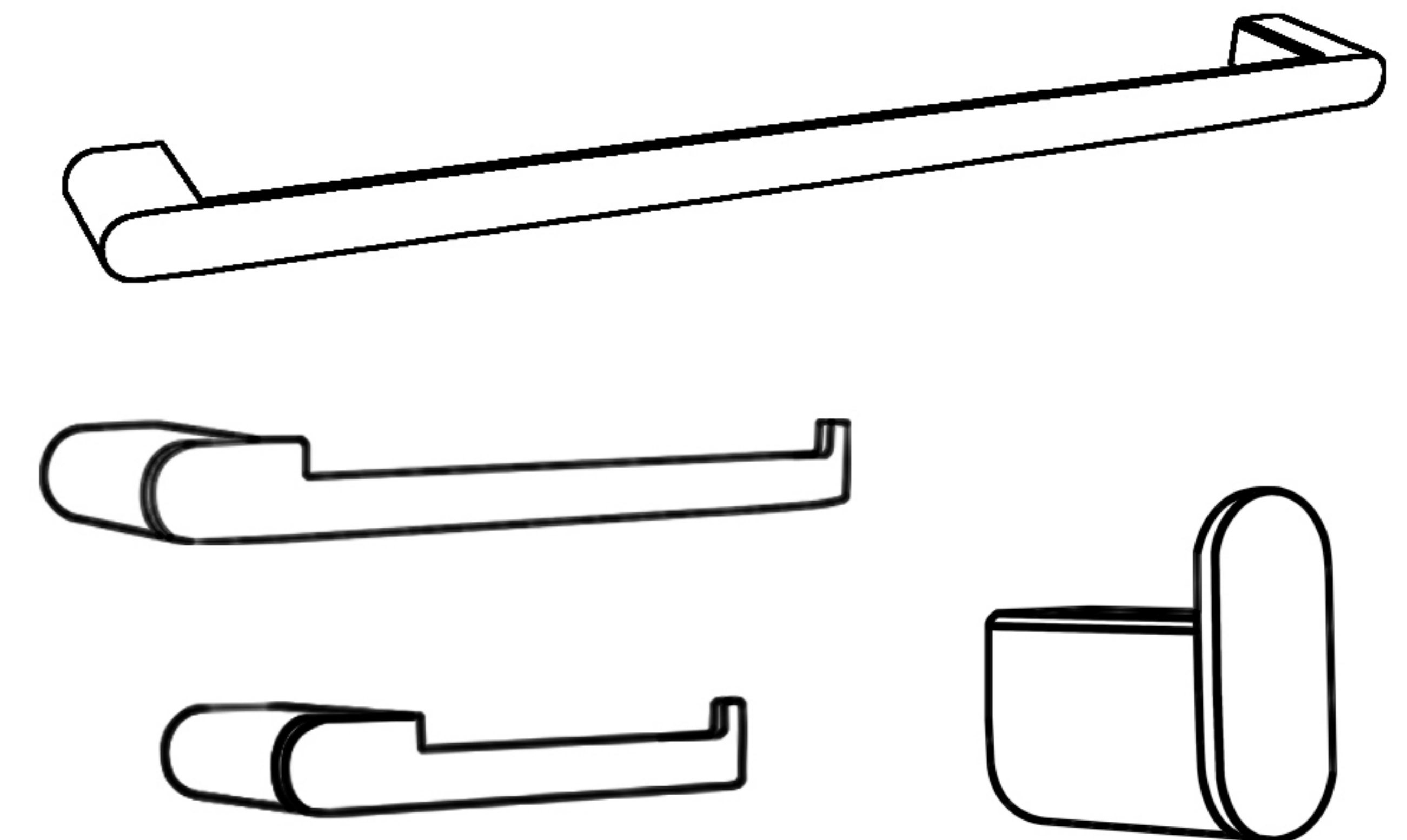
### Step 3: Drill Holes

Place mounting bracket into center of the marking base position. Using brackets as a guide, carefully drill 5/16" holes into wall. Remove bracket and install anchors with hammer.



### Step 5: Hang and Secure

Hang top of accessory on mounting bracket and secure with set screws.



### Step 6: Finished