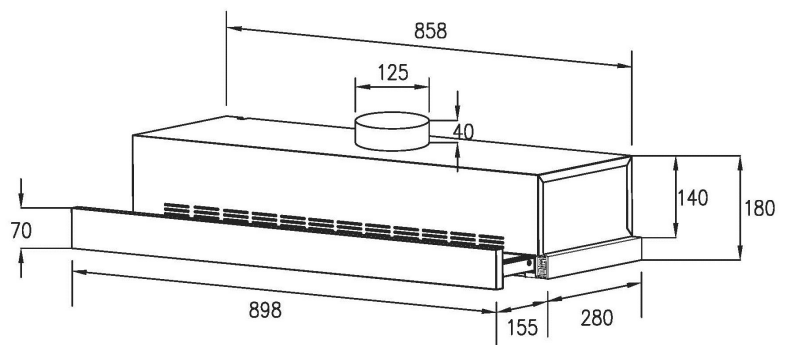


## Telescopic Rangehood 900mm – TH902S



### Product Specifications \*

Finish	Stainless Steel
Dimensions	898X 280mm (435mm fully extended) 70mm fascia
Installation	Built in, integrated fascia
Power Source	10 amp
Capacity	280m <sup>3</sup> /hr
Ducting	Ducted or recirculating
Flue Diameter	125mm
Motor	85W twin motors
Noise Rating	<59dB
Speeds	2 speed mechanical controls
Filter	2 Aluminium filters, removable and washable
Illumination	2 x Incandescent lights
Options	Charcoal Filters
Warranty	3 years

\*Specifications and product size may change without notice. Shinda International is not responsible for any errors or omissions.

All dimensions and images are for illustrative purposes and cut-outs should be based on physical product measurements.