

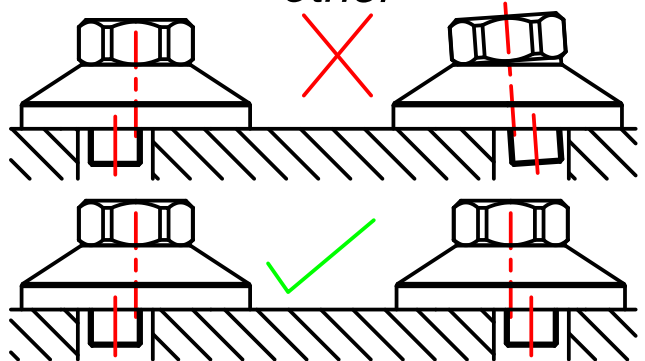
*TT00022 W/T Sink Mixer*

*Water pressure requirement:*

*Recommended 300kPa*

*Balanced not exceeding 600 kPa*

*S-connections to be installed parallel and level to each other*



*ADJUSTABLE:*

*130-170*

*150*

