

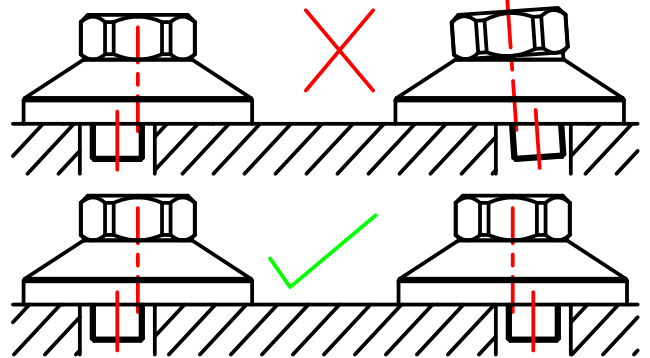
MT00022 W/T Sink Mixer

Water pressure requirement:

Recommended 300kPa

Balanced not exceeding 600 kPa

S-connections to be installed parallel and level to each other



ADJUSTABLE:

