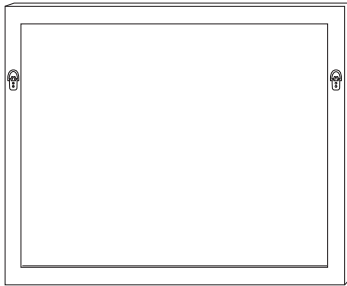


MIRROR INSTALLATION

INCLUDED



Mirror

YOU WILL NEED



x2

Screws



x2

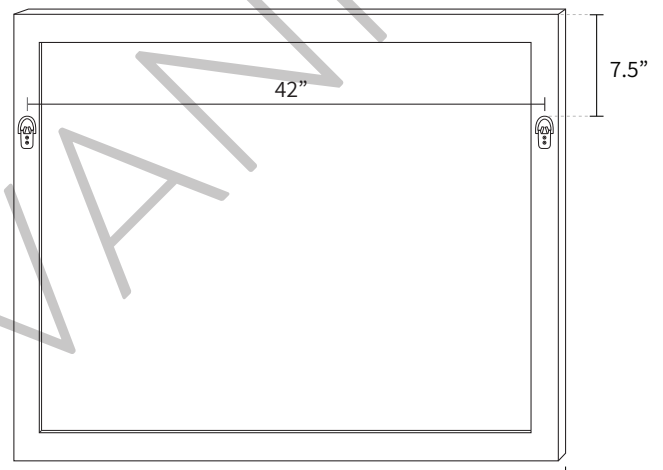
Drywall Anchors

MEASURE

Hold the mirror up to the wall to determine the desired height and position. Mark the wall at the top of the mirror. Measure 7.5" down from that point and mark it on the wall. This is the height of the D-ring hangers. Using a level, mark two points at that height.

20" apart for the 22" mirror

42" apart for the 44" mirror

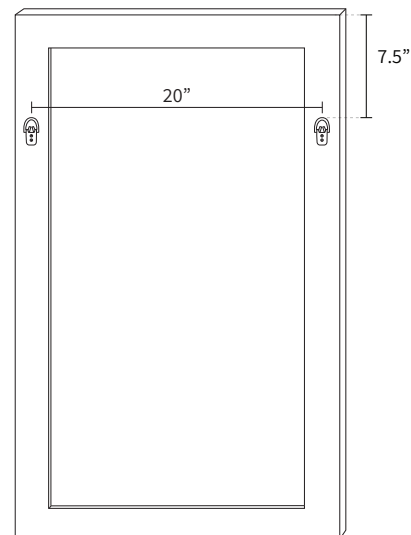


DRILL

At each point, install a drywall anchor and screw. Fully tighten to engage anchor. Loosen screw approximately 1/4" to allow hanger to catch screw.

HANG

Lift mirror, lining up D-ring hangers with each screw. Slide mirror down until hangers catch on screw. This step may be easier with two people.



NOTE: Images above are for instructional purposes only. Actual product may differ in size and style.

TEODOR VANITIES.

1-888-807-2323 | info@thevanitystore.com