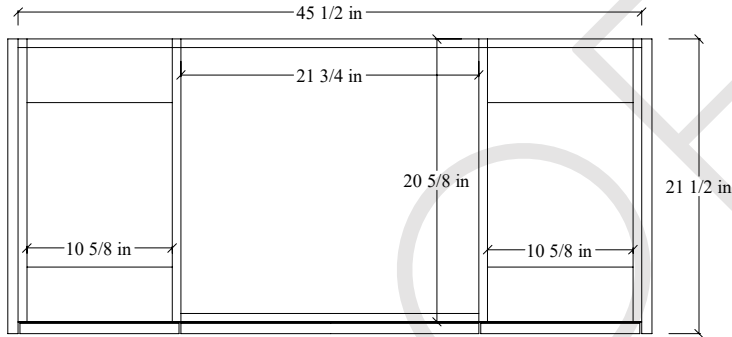
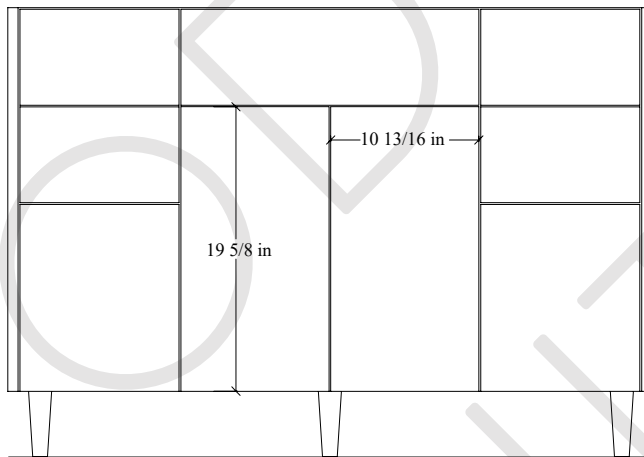


# 48" AUSTIN FREE STANDING VANITY

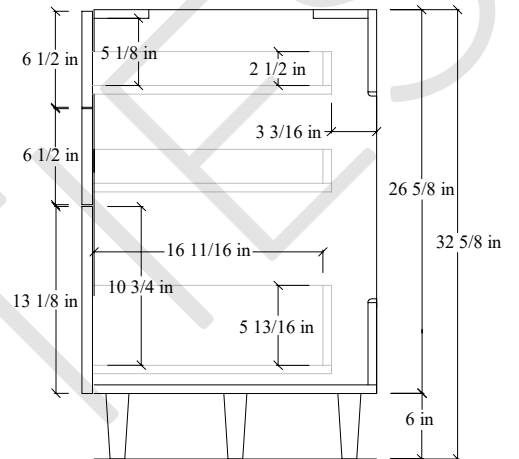
TOP VIEW



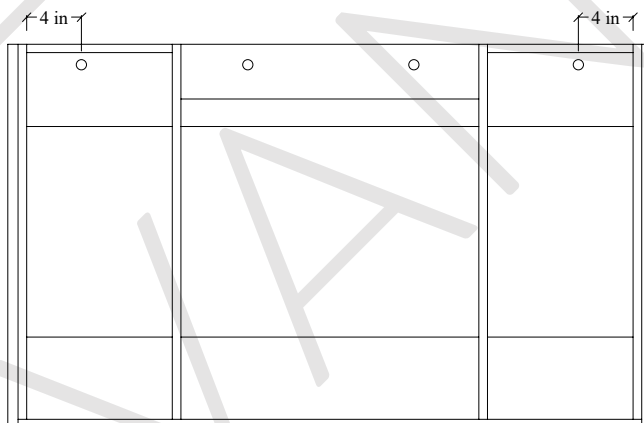
FRONT VIEW



SIDE VIEW



INSIDE BACK VIEW



← Secure vanity to studs within 4" from side gables.

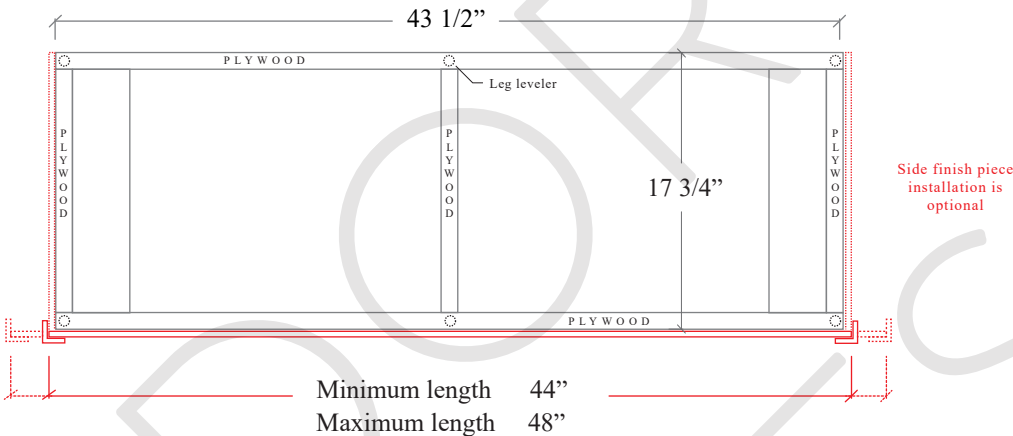
TEODOR VANITIES®

1-888-807-2323 | info@thevanitystore.com

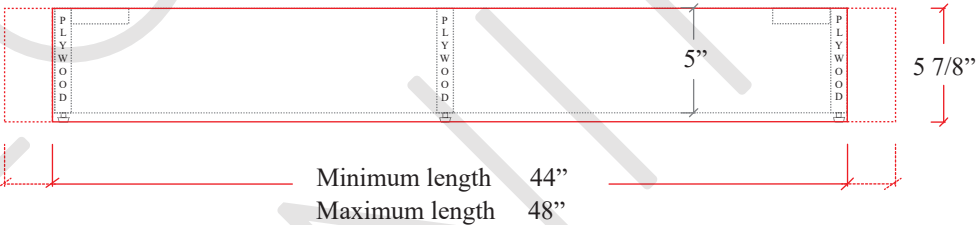
# 48" TOE KICK

- Finish piece (1/4" thick)
- Plywood base (3/4" thick)

TOP VIEW



FRONT VIEW



SIDE VIEW

