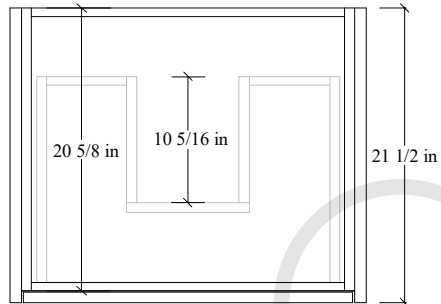
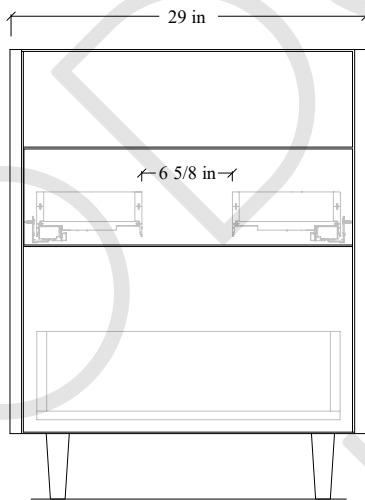


30" AUSTIN FREE STANDING VANITY

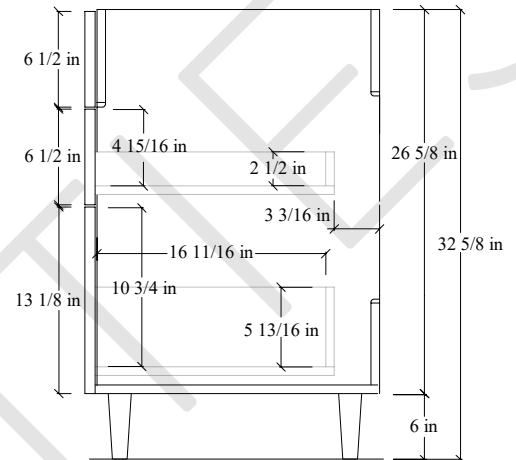
TOP VIEW



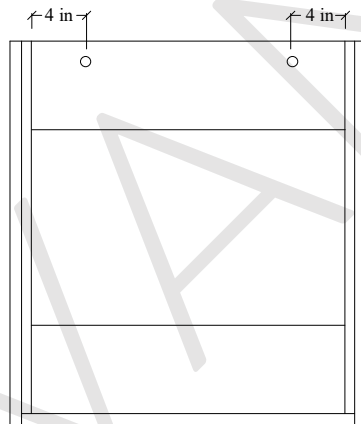
FRONT VIEW



SIDE VIEW





INSIDE BACK VIEW

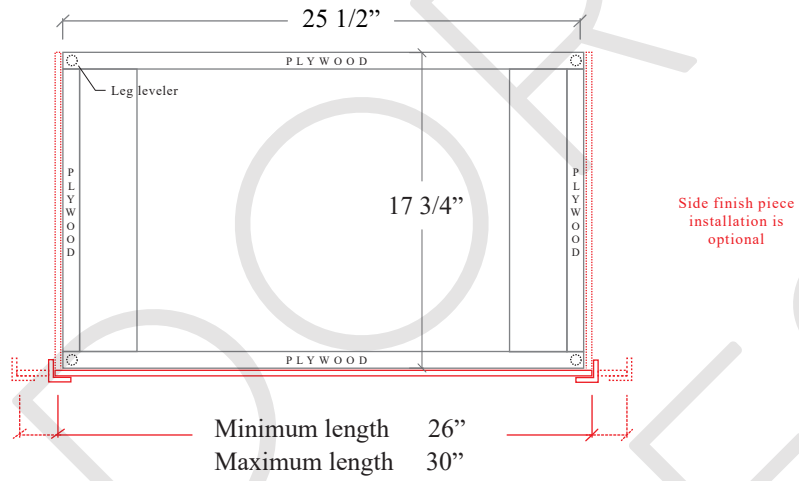


Secure vanity to studs within 4" from side gables.

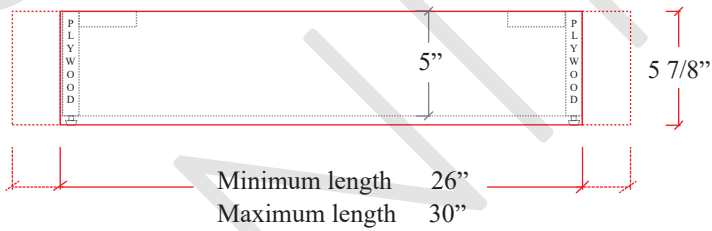
30" TOE KICK

-  Finish piece (1/4" thick)
-  Plywood base (3/4" thick)

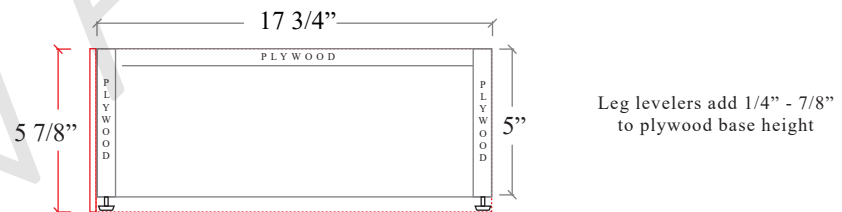
TOP VIEW



FRONT VIEW



SIDE VIEW



TEODOR VANITIES®

1-888-807-2323 | info@thevanitystore.com