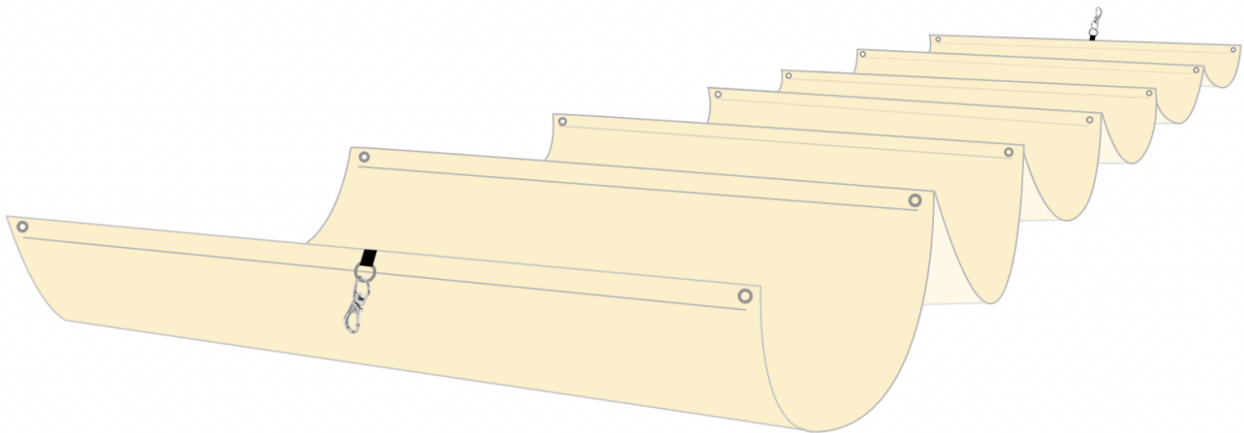


# Roman Shade

## Installation Instructions

V0922



### **TIME TO INSTALL:**

30 Min approx.

### **NOTES:**

Please read instructions before beginning the installation.

Using the QR code below, watch our 'How to Install a Roman Shade' video, or visit our FAQ page at [www.shadesailsCanada.com/faqs](http://www.shadesailsCanada.com/faqs)



---

[www.shadesailsCanada.com](http://www.shadesailsCanada.com)  
[info@shadesailsCanada.com](mailto:info@shadesailsCanada.com)  
Toll free 1-855-899-8290  
222 Hwy 23 North, PO Box 2940,  
Revelstoke, BC V0E 2S0



## TOOLS REQUIRED:

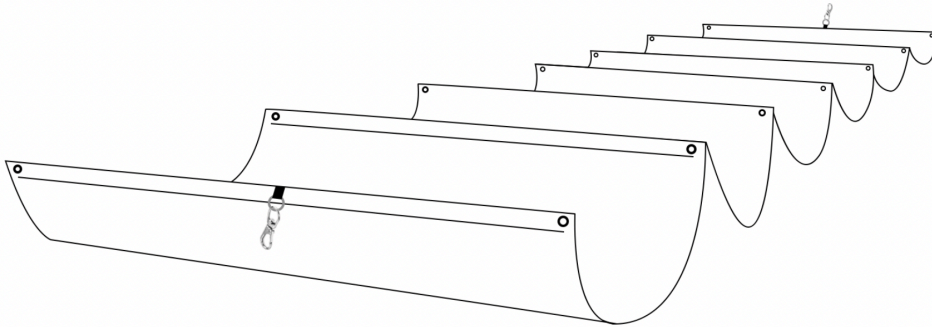
You'll need:

- 2x People
- 2x Ladders
- Tape measure
- Pencil
- Drill with 7/16" drillbit
- Thick screwdriver, wrench or bar
- Awl or thin screwdriver
- Allen key (3mm)
- Ground sheet
- Level

---

## COMPONENT CHECKLIST:

What should be included:



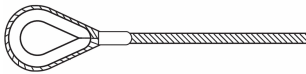
x1 Roman Shade

Your Roman Shade has strength rod sewn into each 2 foot section with a grommet on either side. There is a swivel clip sewn in to each end. Components are marine grade stainless steel for quality.

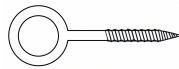


Swivel pulley clips.

Do not remove zip tie.  
Quantity varies by Roman Shade length.



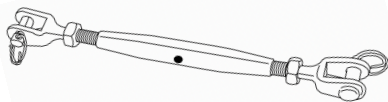
x1 Length of 5/32" cable pre-terminated on one end



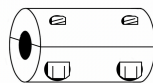
x4 Screw eyes\* (M8x80mm)



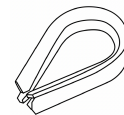
x2 D-shackles



1x Turnbuckle



x1 Cable clamp



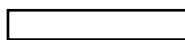
x1 Thimble



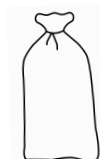
x1 Tube grease



2 x Zip ties



1 x Shrinkwrap sleeve



x1 Storage bag

\*Screw eyes may be substitutes for Through bolts at time of order.

---

## ROMAN SHADE: INSTALLATION INSTRUCTIONS

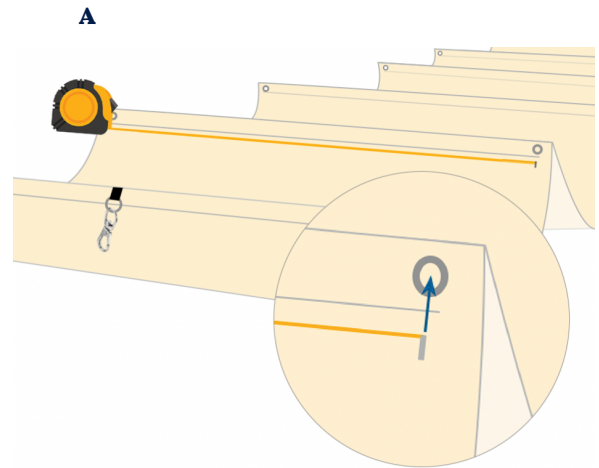
### STEP 01:

Read the instructions through fully. Inspect and ensure that you have all the components in the checklist before you begin.

Away from your work area, place your Roman Shade on a ground sheet or some plastic, with the grommets facing upward.

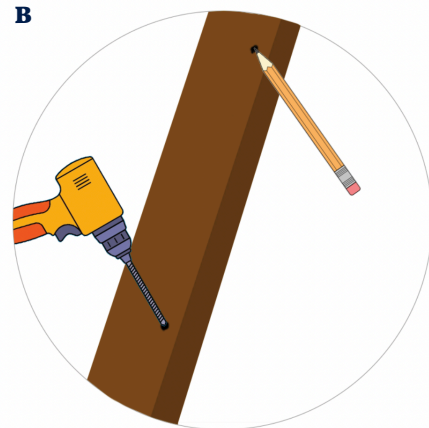
### STEP 02:

Measure the distance width ways on the Roman Shade, between the grommets (A). Take the measurements from the centre of each grommet eye.

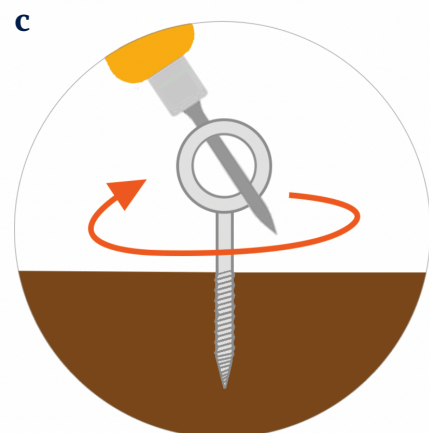


### STEP 03:

Using a level and measuring tape to ensure an equal distance, mark the measurements onto your beam or intended anchor. Drill a small pilot hole at each mark (B). These will hold your screw eyes to create a loop system for the cable.



Take your four screw eyes and insert one into each pilot hole by screwing clockwise. Screw them all the way in so the thread is no longer visible. A thick screwdriver, wrench or bar can be used to rotate the screw eyes so they are fully embedded (C).



#### STEP 04:

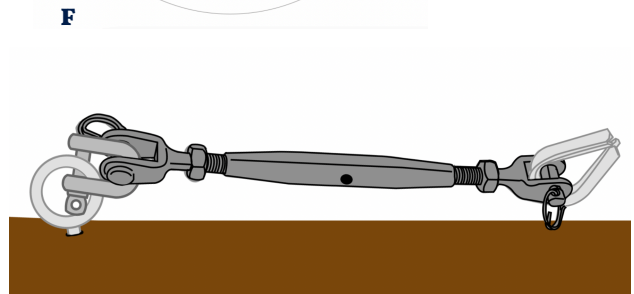
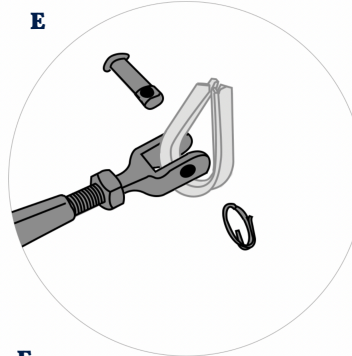
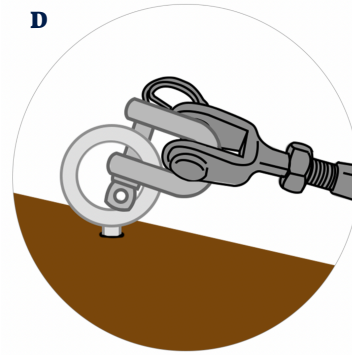
Taking the turnbuckle, loosen the lock nuts away from the body, and extend it enough so that approximately 1.25" of thread is exposed equally at both ends. Apply the grease liberally to the exposed thread.

Choose one screw eye on the corner of your beam or anchor. This will hold the turnbuckle and the already terminated end of your cable.

Attach the turnbuckle to the corner screw eye with a D-shackle (D).

Remove the lock ring and pin at the other end of the turnbuckle, insert the thimble (E) and replace the pin and lock ring to secure.

Once everything is in place, the turnbuckle will end up being parallel to the anchor end of the Roman Shade – not in line with the runners (F).



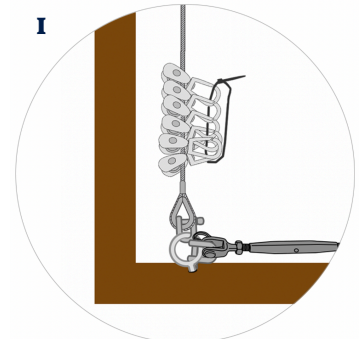
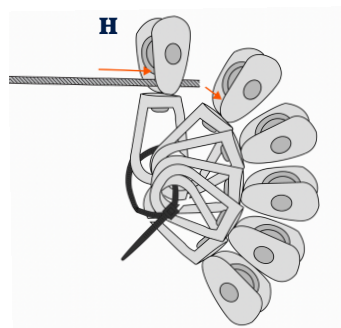
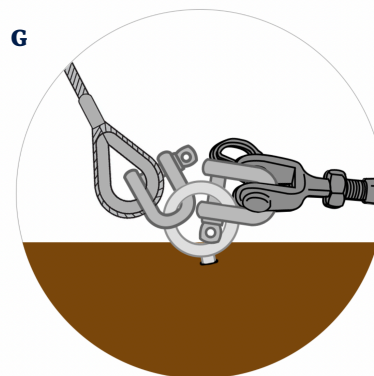
#### STEP 05:

Attach the pre-terminated end of your cable to the same screw eye as the turnbuckle using the D-shackle (G).

#### STEP 06:

The swivel pulleys will be bunched and held together with a zip tie, do not remove the zip tie. Longer Roman Shades will have two bunches for each side. The number of swivel pulleys will match the number of grommets on one side of the Roman Shade.

Take the the bunched up swivel pulleys for the first side and thread them onto the cable (H)(I).





### STEP 07:

Thread the loose end of the cable through the next two screw eyes at the opposite end (J) making sure the bunched swivel pulleys stay on the side that the Roman Shade will run.

Without removing the plastic zip ties, thread the remaining bunched swivel pulleys onto the cable. Now there should be an even amount of bunched swivel pulleys on each side of the cable (K).

Thread the loose end of the cable through the remaining screw eye (L).

Bring each bunch of swivel pulleys to the nearest screw eyes closest to the turnbuckle. You will temporarily secure them to the screw eyes with the extra zip ties (M). This helps to take excess weight off the cable whilst it is tensioned.

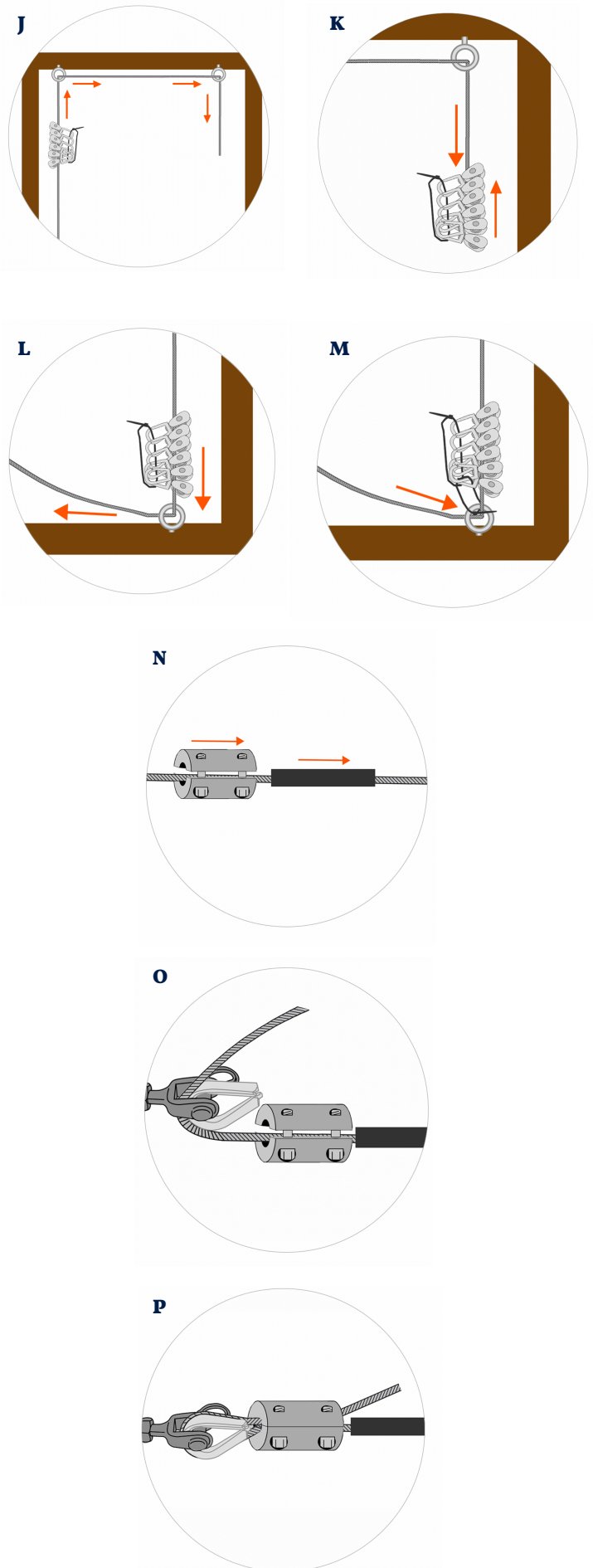
### STEP 08:

Taking the loose end, slide the heat shrink sleeving over the cable, followed by the cable clamp making sure the clamp is loosened but not fully open (N).

Loop the end of the cable through the thimble attached to the turnbuckle (O), and back through the cable clamp (P).

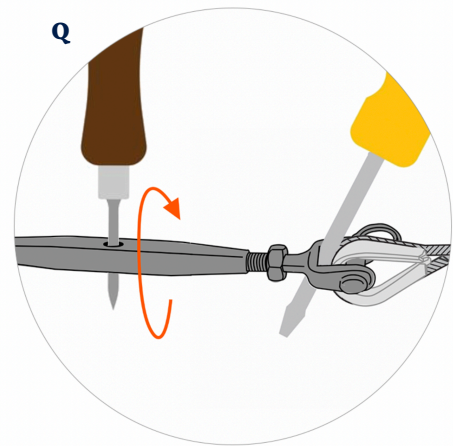
Pull on the end of the cable as tightly as possible to remove the slack. Use pliers or vice grips to aid in pulling.

Push the cable clamp as close to the thimble as possible. Tighten the cable clamp with the 3mm Allen key.

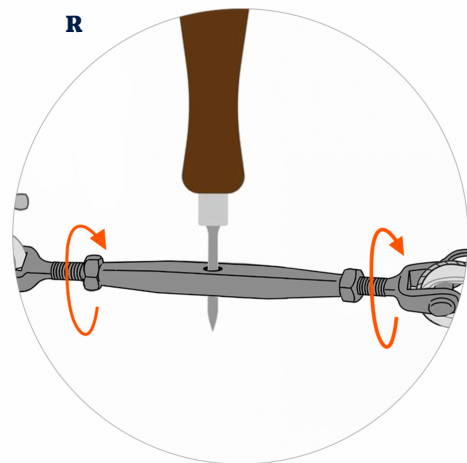


### STEP 09:

Hold the jaw end of the turnbuckle at the thimble with a screwdriver to stop it turning. Tighten the turnbuckle using an awl (or similar tool that fits in the hole within the body of the turnbuckle) and tighten generously until the cable is fully tensioned (Q).



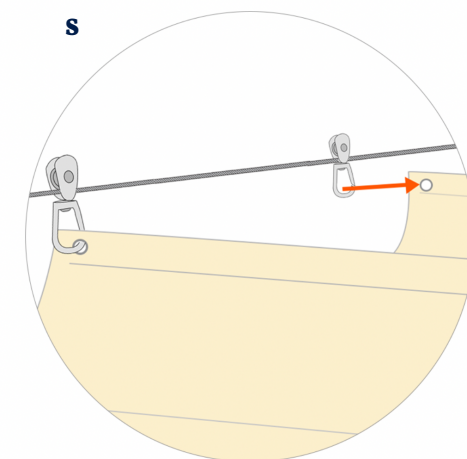
Holding the turnbuckle with the awl, lock it in place by tightening each nut against the body (R). You can cut any excess cable with a wire cutter or angle grinder before tucking the loose end of the cable into the heat shrink sleeving. Heat the sleeve to shrink it, protecting the cable end.



### STEP 10:

Remove and dispose of all zip ties, unbunching the swivel pulleys.

With one person on each side of the Roman Shade, lift it from the ground sheet and position under the cable. One set at a time, attach the swivel pulleys to the grommets on either side the Roman Shade (S).



Extend the Roman Shade to either end of the cable and clip the centred end swivel pulleys to the cable to lock in place. Alternately, use the optional pulley system.

Your Roman Shade is now ready for many years of use.

---

## **PRODUCT CARE & MAINTENANCE**

### **To remove your Roman Shade for winter storage:**

Roman Shades are not designed to handle snow loads and must be taken down before the snow begins to fall to avoid damage. Detach (unclip) your Roman Shade, clean, dry and store in the provided storage bag.

### **Cleaning your Roman Shade**

Cleaning of your Roman Shade can be done by hosing it down with a garden hose while in place, or taken down and scrubbed with a moderately stiff broom using a mild detergent.

When installing Roman Shades be sure to keep them away from barbecues, light fixtures, heating units or vents, any sharp objects – anything which might damage your Roman Shade.

### **Limited warranty**

Our Roman Shade warranty lasts for a period of 12 months from the date of purchase, against defects or damages caused to the product due to faulty materials used in the manufacture of the product and/or faulty workmanship in the manufacture of the product. This warranty applies when the product is used under normal conditions and for its intended use.

Our fabrics are warrantied for 10 years against UV degradation. In the event of a warranty claim, please contact Shade Sails Canada Inc, in writing, immediately on discovery of suspected product failure.

### **Please note:**

Since the customer is installing the Shade Sail, there is no warranty against any damages which may occur to the product due to improper handling of the product or improper installation procedures employed by the customer.



**Thank you for choosing Shade Sails Canada.**

We hope you enjoy your Roman Shade, proudly made in Revelstoke, BC, Canada.  
Our team appreciates reviews and feedback.

[www.shadesailsCanada.com](http://www.shadesailsCanada.com)  
[info@shadesailsCanada.com](mailto:info@shadesailsCanada.com)  
Toll free 1-855-899-8290  
222 Hwy 23 North, PO Box 2940,  
Revelstoke, BC V0E 2S0

**Follow & share on social media:**

[facebook.com/ShadeSailsCanada](https://facebook.com/ShadeSailsCanada)  
[Instagram @shadesailsCanada](https://Instagram/@shadesailsCanada)  
[youtube.com/c/ShadesailsCanadaTV](https://youtube.com/c/ShadesailsCanadaTV)

---