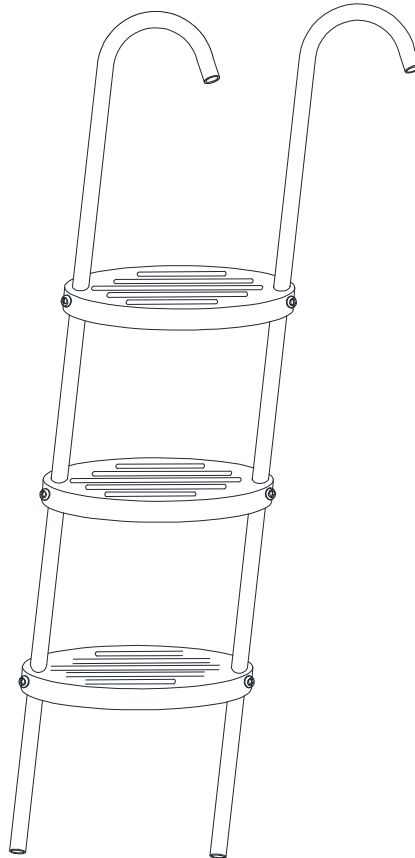




Assembly, Installation, Care,
Maintenance and Use Instructions
USER'S MANUAL

**Ladder for 10/12/13/14/15ft Trampoline
(35.5" / 90cm Height)**








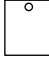
! WARNING!

- This ladder is subject to a 100kgs weight limit.
- Do not allow more than one person on the ladder at a time.
- Do not allow young children to use unless supervised by an Adult.

Customer Service Number: (1) 877-512-9188

Please contact us, before returning the item to the store, where purchased.

Parts List

Ref	Description	Illustration	Qty
A	Cane Shaped Frame Tube		2
B	Foot Tread Tube		3
C	Screws		6
D	Nut		6
E	Allen Wrench		1
F	Safety Instruction Placard		1

● IMPORTANT

Use the above parts list to make sure all parts are present before assembling the ladder.

Do not attempt to assemble the ladder if any parts are missing or damaged.
Inspect the ladder before assembly.

The ladder is designed for 35.5" (90cm) height trampoline.

● Before You Start

- Check the parts list and make sure you have all the parts listed above. If not, call the helpline number above.
- Take a few minutes to familiarize yourself with the contents before assembly.
- When you are ready to start, make sure you have the right tools to hand.
- Retain this Assembly Instructions for future use.

Assembly Instruction

STEP 1

Assemble the Foot Tread Tube (# B) on Cane Shaped Frame Tube (# A) by Screws (# C) and Nut (# D) with Allen Wrench (# E).

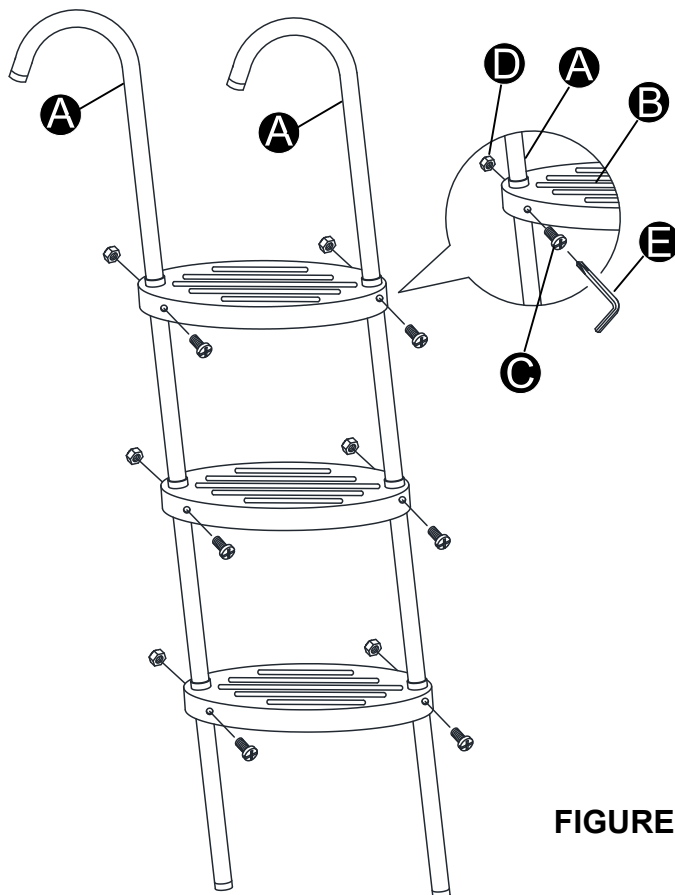


FIGURE 1

STEP 2

Position the ladder by the doorway where you can enter / exit the trampoline

- A. Lift the padding up and place the ladder onto the outer frame.
- B. Ensure the ladder does not interfere with the ties, springs or mat.
- C. Cover top of the ladder by padding

Ladder assembly on 35.5" (90cm) height trampoline as show in FIGURE 2.

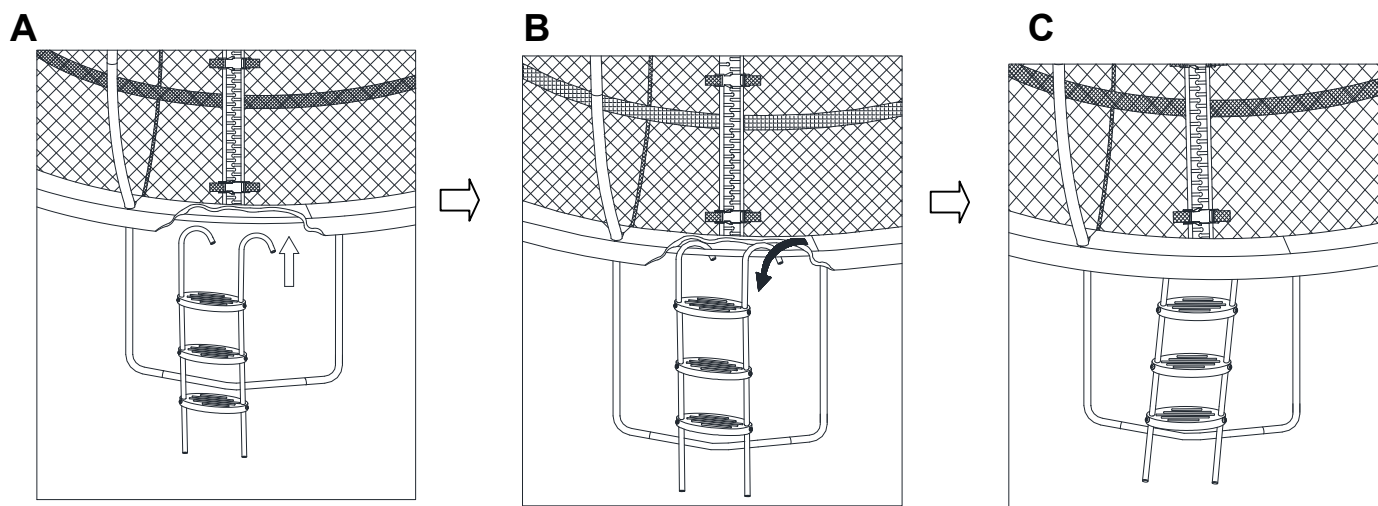


FIGURE 2

IMPORTANT :

The ladder **MUST** always be hooked onto the trampoline frame as shown as STEP 2.

STEP 3

Use the plastic tie provided to attach Ladder Safety Instruction Placard (# F) to the ladder as shown in FIGURE 3.

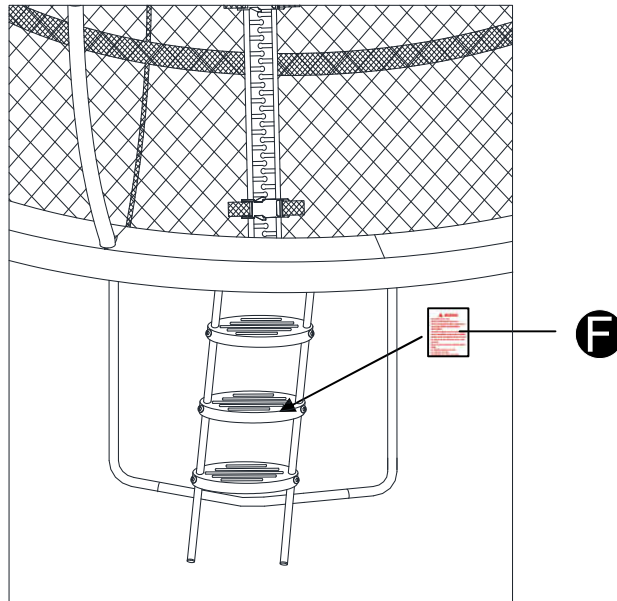


FIGURE 3

Care and Maintenance Instructions:

Inspect the ladder before each use and replace any worn, defective or missing parts.
Regularly check that all bolts are tightened.
Do not leave the ladder outdoors when not in use.
The ladder should be stored in a dry covered area when not in use.

WARNING

- To be used under the direct supervision of an adult, never leave children unattended.
- To avoid accidents and to restrict access to the trampoline, never leave the ladder placed on the trampoline when not in use.
- For use by no more than one user at any one time.
- Do not exceed maximum weight loading 100 kgs.
- Warning. For family domestic use only.
- For outdoor use only.
- No jumping on or from ladder.
- The ladder is not a toy.
- Remove all Footwear before use.
- To be used under the direct supervision of an adult. NEVER LEAVE CHILDREN UNATTENDED.
- To avoid accidents and to restrict access to the trampoline, never leave the ladder placed on the trampoline when not in use.

Customer Service Number: (1) 877-512-9188

Please contact us, before returning the item to the store, where purchased.