

supremeSchwank 2300

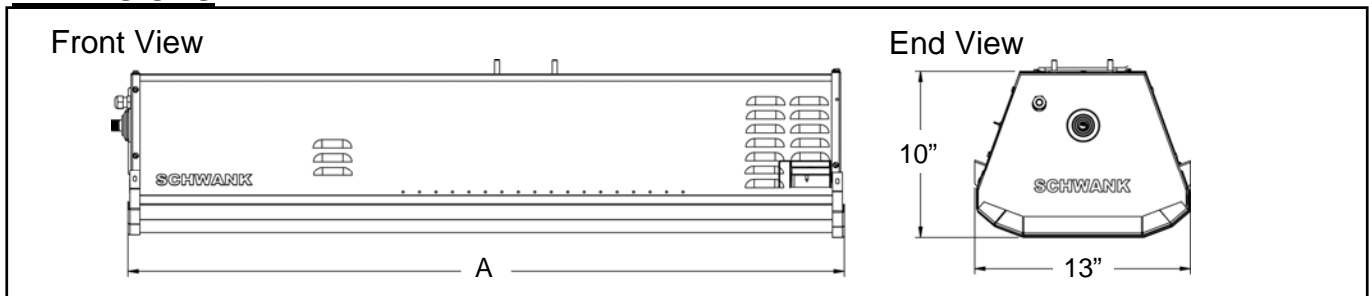
TECHNICAL SPECIFICATIONS

Schwank
INNOVATIVE HEATING SOLUTIONS



MODEL NO.	BTU/Hr	GAS	MINIMUM GAS LINE PRESSURE	MAXIMUM GAS LINE PRESSURE	MANIFOLD PRESSURE	WEIGHT IN LBS.	Length < A >
2312-N	23,000	NAT	6" W.C.	14" W.C.	5" W.C.	32	30 1/2"
2312-L	23,000	LP	11" W.C.	14" W.C.	10" W.C.	32	30 1/2"
2313-N	35,000	NAT	6" W.C.	14" W.C.	5" W.C.	44	43 1/2"
2313-L	35,000	LP	11" W.C.	14" W.C.	10" W.C.	44	43 1/2"

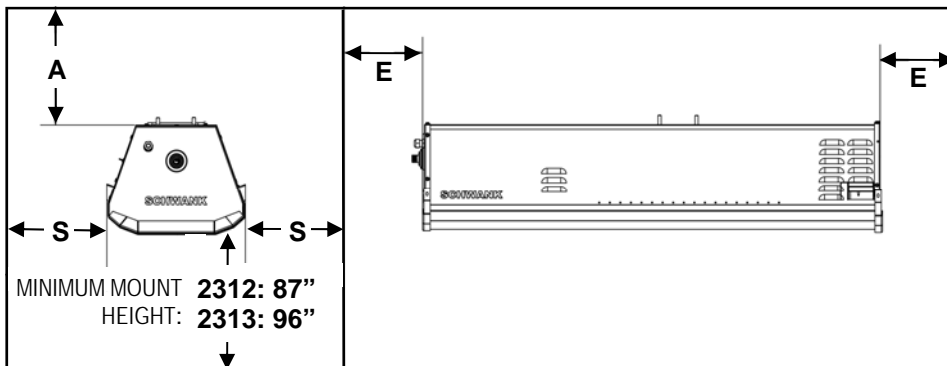
DIMENSIONS



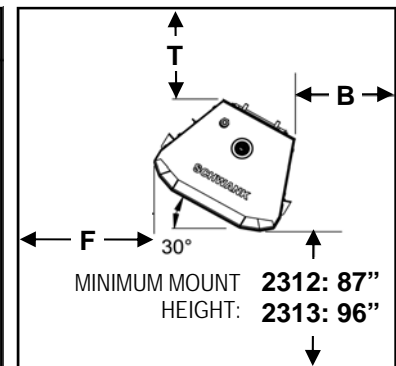
MINIMUM CLEARANCES TO COMBUSTIBLES

MODEL NO		Horizontal			30° Angle			
		E Ends	A Top	S Sides	E Ends	T Top	B Back	F Front
2312-NL	OUTDOOR	3"	5.5"	7"	3"	9.5"	1"	9.5"
2313-NL	OUTDOOR	5"	7.5"	9"	5"	9.5"	1.5"	21"
2312-NL	INDOOR	4"	8"	10"	4"	12.5"	2.5"	14"
2313-NL	INDOOR	6"	10.5"	14.5"	6"	14.5"	2.5"	26"

Mounted Horizontally



Mounted up to 30° Angle



*For most perimeter mount applications, Schwank recommends a 30° mounting angle for best heating coverage—a greater angle may direct a large portion of infrared heat above the heads of seated occupants.