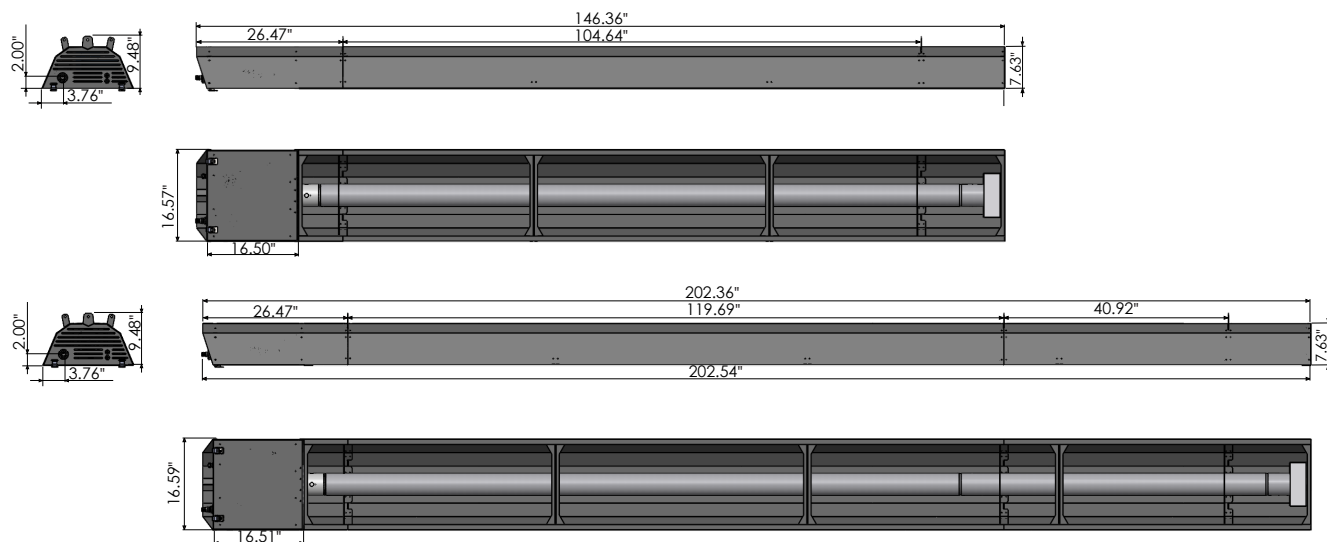


→ Dimensions and specifications

With a wide range of sizes and mounting options available, choose the ideal phantomSchwank model to use in your patio, or outdoor environment.



Model	Fuel Type	Input Rating (BTU/H)		Overall Length (ft)	Material: Housing	Weight (lbs)	Conversion kit part number
		High	Low				
STP-TA05-10-BN	NG	50,000	35,000	12	Marine-Grade Aluminum	95	JS-0554-LL-TP
STP-TA08-10-BN	NG	80,000	60,000	12		96	JS-0554-NL-TP
STP-TA11-15-BN	NG	115,000	80,000	17		127	JS-0554-PL-TP

Note: Conversion kit is available to convert standard NG heater to LP model

*Approximate gross shipping weight.

→ Clearance to combustibles

Model Input Rate	Suspended horizontally			Suspended at an angle up to 45 degrees				Burner End BE	Tube End TE
	A	S	C	D	B	F	C		
50,000	4"	20"	42"	4"	3"	40"	44"	24"	48"
80,000	5"	24"	62"	5"	3"	54"	60"	24"	48"
115,000	5"	26"	74"	5"	3"	62"	70"	24"	48"

